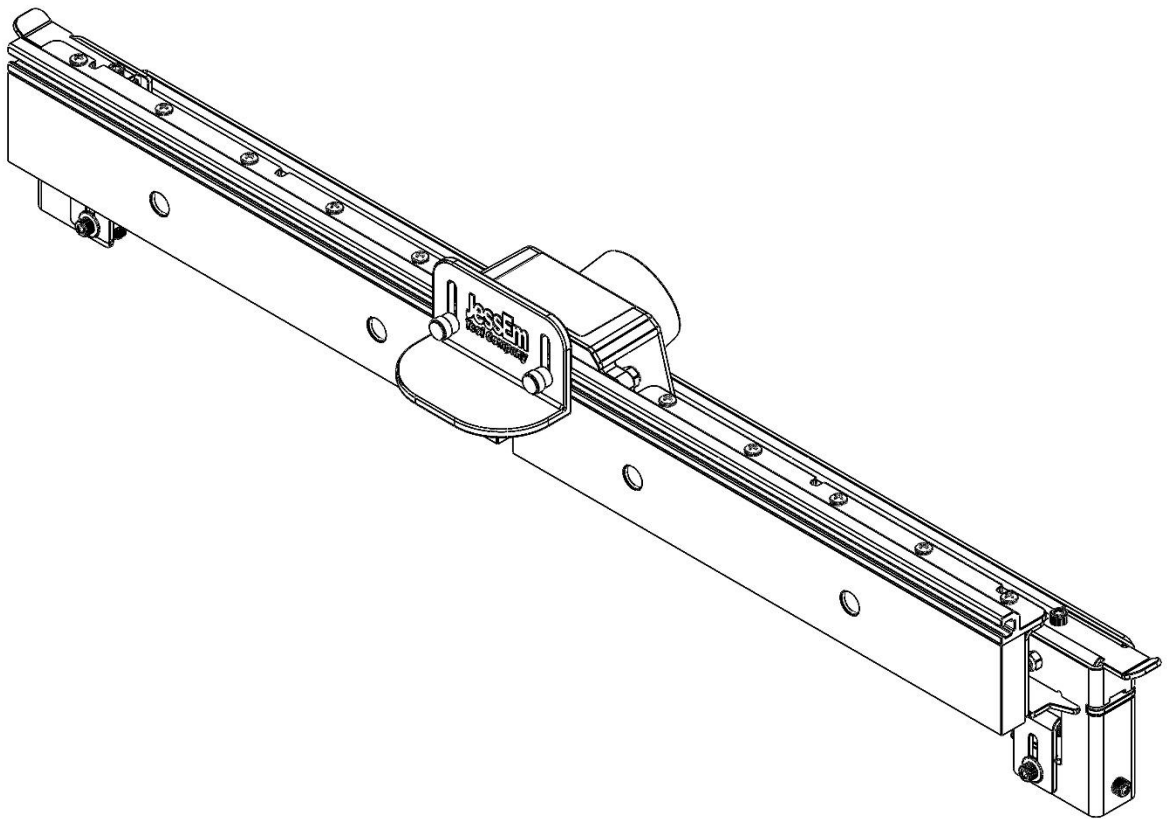




Rout-R-Fence II



Model #04600

**TO REDUCE THE RISK OF INJURY, USER MUST READ OPERATORS
MANUAL**

THANK YOU FOR CHOOSING






Thank you for choosing this product from JessEm Tool Company. We appreciate your support and hope that our product serves you well. This product is designed to provide many years of reliable service provided it is used as intended and taken care of.

This user manual will assist you in assembly and general operation of this product. It is not our intent to teach you about woodworking. It is assumed that you are an experienced woodworker with the basic skills and experience necessary to use this product safely. If after reading the following instructions you are unsure or uncomfortable about safely using this product, we urge you to seek additional information through widely available woodworking books or classes.

As part of our Continuous Product Improvement Policy, JessEm products are always advancing in design and function. Therefore, there may be differences between what is shown in our catalogs, website or at retail display and what is sold at time of purchase. We reserve the right to make positive changes to our products at our discretion.

If you have any questions about our products or service, please call us at **1-800-436-6799** or email us at **customerservice@jessem.com**

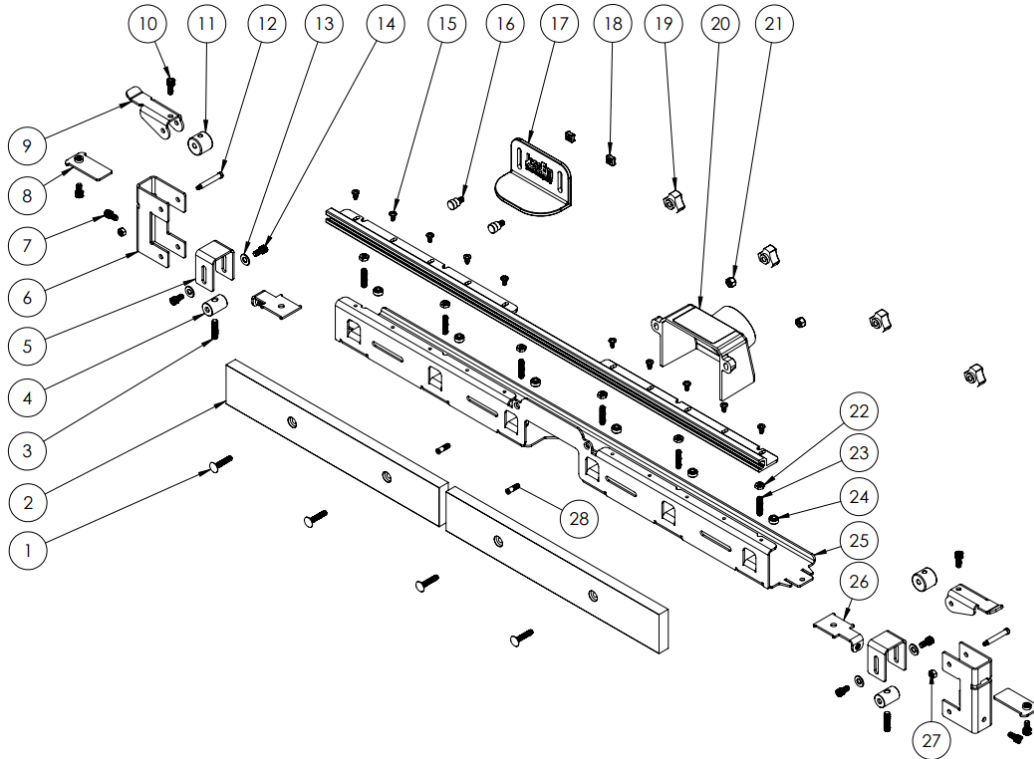
Find us on social media

-  [youtube.com/JessEmToolCompany](https://www.youtube.com/JessEmToolCompany)
-  [facebook.com/JessEmTools](https://www.facebook.com/JessEmTools)
-  [instagram.com/jessemtoolcompany](https://www.instagram.com/jessemtoolcompany)

324 Desbrisay Avenue
Moncton, New Brunswick,
E1E 0G8, Canada

Toll Free: 800-436-6799
Local Phone: 506-777-2582
Fax: 705-327-0295
Website: www.JessEm.com

WHATS IN THE BOX



Item #	Product Code	Description	QTY.
1	F0573	M6 x 35mm Carriage Bolt	4
2	M0458-1-C	Fence Face	2
3	S0076-9-C	5/16" – 18 x 2" SHCS	2
4	S0053-50-C	Adjustment Nut	2
5	S0092-9-C	Clamp Adjustment Bracket	2
6	S0092-8-C	Fence Clamping Bracket	2
7	F0549	1/4"-20 x 1/2" SHCS	8
8	S0002-8-C	Clamp pad	2
9	S0092-10-C	Cam Lock Handle	2
10	F0347	1/4"-20 x 5/8" SHCS	2
11	S0054-16-C	Fence Cam	2
12	S0076-7-C	Pivot Bolt	2
13	F0348	1/4" Washer	4
14	E0326-1-C	Fence T-Track	1
15	F0531	10-32 x 3/8" Pan Head Screw	10
16	O2104	Bit Guard Height Adjustment Knob	2
17	O2104	Bit Guard	1
18	O2104	1/4"-20 Square Nut	2
19	M0452	3 lobe knob	4
20	M0280	Fence Vacuum Port	1
21	F0122	1/4"-20 Lock Nut	2
22	F0581	1/4" Thin Jam Nut	6
23	S0075-8-C	1/4"-20 x 1 1/8" Set Screw	6
24	S0062-42-C	Fence Squaring Nut	6
25	S0092-7-C	Main Fence	1
26	S0092-11-C	Clamp Bracket Alignment Plate	2
27	F0558	10-32 Lock Nut	2
28	S0076-8-C	Vacuum Mounting Screw	2

WARRANTY

JESSEM TOOL LIMITED WARRANTY

All JessEm products are warranted to be free from defects in material and workmanship. JessEm will repair or replace any product which upon inspection proves to be defective for a period of (1) year from dated receipt and proof of purchase. All warranty claims should be made direct to JessEm Tool Company.

Contact JessEm for a warranty claim return authorization and instructions to proceed. The consumer is responsible for shipping costs to return product to JessEm Tool Company. We will repair or replace the product at our discretion and JessEm Tool will return shipment to you at no charge.

WARRANTY LIMITATIONS

This warranty does not cover:

- Repairs or alterations made or attempted by anyone other than JessEm Tool Company or an authorized JessEm service professional.
 - Normal wear and tear
 - Abuse, misuse or neglect.
 - Improper care or maintenance.
 - Continued use after partial failure.
 - Products that have been modified in any way.
 - Products used with improper accessories

DATE PURCHASED: _____

WHERE PURCHASED: _____

ADDRESS: _____

IMPORTANT SAFETY PRECAUTIONS

- Always make sure the fence on your router table is locked firmly into position before each use
- Never overload the router beyond the expectations of the tool
- Be sure at least $\frac{3}{4}$ of the bit shank length is inserted securely in to the router collet
- Never bottom out the bit in the collet. Allow $\frac{1}{16}$ " clearance between the shank and bottom of the collet.
- Always rout in multiple passes when large amounts of stock must be removed
- Use reduced rotational speeds for large diameter bits. Below is approximate speeds for different bit sizes. These values can change based on your specific application.

Suggested Router Bit Speeds	
Bit Diameter	Max. Speed
1" (25mm)	21,000 RPM
1-1/4" - 2" (30-50mm)	18,000 RPM
2-1/4" - 2-1/2" (55-65mm)	16,000 RPM
3" - 3-1/2" (75-90mm)	12,000 RPM

- Before operating any machinery or power tool, read and understand all safety instructions in the owners manual that came with them
- If you do not have a manual, contact the manufacturer and obtain one before using any power tool
- Always wear eye protection compliant with ANSI safety standards when operating power tools
- Always use proper guards and safety devices when operating power tools and machinery.
- Carefully check router bits before each use. If damaged or a defect is suspected do not use
- Do not wear loose clothing or jewelry that may catch on tools or equipment

Unplug the tool or machinery when mounting or making any adjustments

B) Work Area Safety


- Make your workshop child proof. Use padlocks, master switches, or remove starter keys.
- Keep work area clean and well lit. Clutter and/or dark areas encourage accidents.
- Keep children and bystanders away while operating a power tool. Complete attention is required when operating a power tool.


A) Personal Safety


- Stay alert, watch what you are doing and use common sense when operating a tool. Do not use a power tool while you are tired or under the influence of drugs, alcohol or medication. Serious personal injury could result if complete attention is not given while operating power tools.
- Always wear safety glasses. Everyday eyeglasses are not safety glasses. Safety glasses have specially constructed frames, lenses and side shields for better protection.
- Use safety equipment. Use a face or dust mask when the cutting operation is dusty. Safety equipment such as dust masks, hard hats, non-skid safety shoes and hearing protection reduces personal injuries when used for appropriate conditions. If devices and tools allow for dust extraction and collection, ensure these are connected and properly used.
- Do not overreach. Keep proper footing and balance at all times. This allows for better control of the power tool in unexpected situations.
- Never stand on the machine. Serious injury could occur if the tool tips or if the cutting tool is unintentionally contacted.
- Secure workpieces. Use clamps or vises to hold work when practical. This is safer than using your hands and frees both hands to operate the tools.
- Dress appropriately. Do not wear loose clothing or jewelry. Ensure you keep clothing, hair and gloves away from moving parts. Loose clothing, jewelry or long hair can be caught in moving parts. Roll up long sleeves to the elbow. Wear protective hair covering to contain long hair.
- Avoid accidental starting. Ensure the switch is in the off position before you plug it in. Carrying a power tool in you hands with your finger on the switch or plugging in a power tool that has the switch on is inviting accidents.
- Remove any adjusting key or wrench before turning the power tool on. A wrench or a key left attached to a rotating part of the power tool could result in personal injury.


C) Electrical Safety

- Ground electrical tools. If the tool is equipped with a three-prong plug, it must only be plugged into a grounded three-hole electrical outlet. If required, a qualified electrician can install one. Never remove the third prong or modify the plug that is provided in any way.
- Never expose a power tool to rain or wet conditions. You will increase the risk of electric shock if water enters the power tool.
- Using power tools in damp or wet locations or conditions is extremely dangerous.
- Do not operate any power tool in an explosive atmosphere, in the presence of flammable liquids, gases or dust. Power tools can create sparks which may ignite the fumes or dust.

 **WARNING:** To reduce the risk of injury, always unplug your tool before performing any maintenance. Never disassemble the tool or try to do any rewiring on the tool's electrical system.

 **WARNING:** Read and understand all instructions before using. Failure to follow all instructions listed above or to use the fence in a safe manner may result in serious personal injury.

 **WARNING:** This product can expose you to chemicals including lead and/or chromium, known to the State of California to cause cancer and birth defects or other reproductive harm.

 **WARNING:** Drilling, sawing, sanding or machining wood products can expose you to wood dust, a substance known to the state of California to cause cancer. Avoid inhaling wood dust or use a dust mask or other safeguards for personal protection.

Adjusting for Different Table Thickness

JessEm's Rout-R-Fence II is designed to accommodate table top thicknesses between 3/4" and 1-1/8". To set the top thickness, or to change between them, the following instructions will have to be followed:

- 1- Loosen the two screws holding the clamp adjustment bracket in place, as seen in *figure 1*. Repeat for the other side.
- 2- With both cam handles in the unlocked position (see *figure 2*), loosen or tighten the screws below the clamp adjustment brackets until there is a very small gap between the clamp adjustment bracket and the top (just enough to allow you to move the fence when unlocked).
- 3- Retighten the screws loosened in step 1.
- 4- Test the cam locks to ensure they now work on your top. The cam locks should move smoothly and hold the fence firmly in place, but should not be so tight as to be difficult to lock down.

If your fence is still too loose, repeat the first three steps to raise the clamping bracket. If it is too tight, lower the clamping bracket slightly.

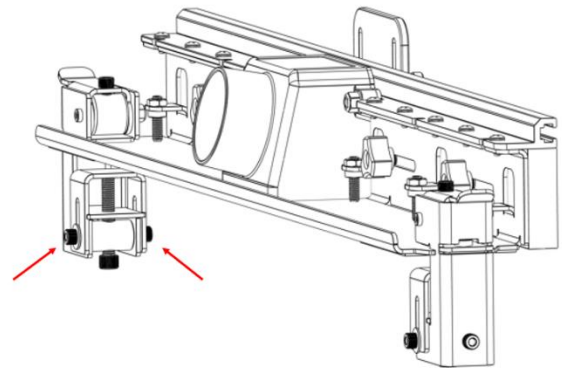


Figure 1 – Screws Mentioned in step 1

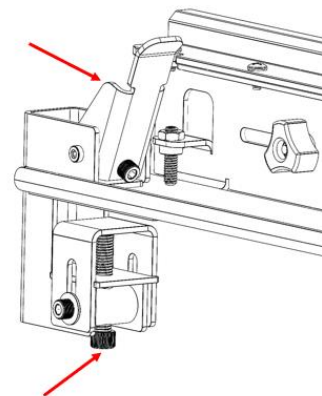


Figure 2 – Cam handle position and screw mentioned in step 2

Adjusting the Fence Faces and Bit Guard

To optimize work piece support and to maximize safety, the fence faces will have to be adjusted before using the fence.

1. With your fence located where you intend to use it, loosen the four knobs shown in figure 3.
2. Slide the fence faces until they create a small gap around your bit and retighten the four knobs.
3. To ensure safe operation and to prevent damage to your fence faces, ensure the fence faces clear the diameter of the router bit before starting the motor.

Once the fence faces are set, it is important to set the bit guard height. This is done by loosening the bit guard height adjustment knobs and sliding it up or down before retightening.

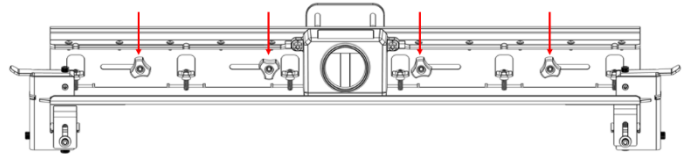


Figure 3 – Knobs to adjust fence faces

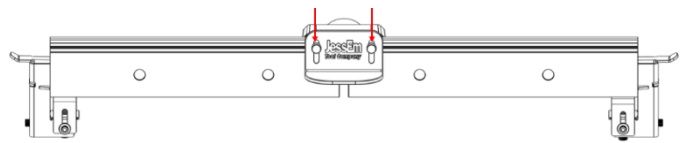


Figure 4 – Bit guard adjustment knobs

Squaring Fence Face to Table

This fence will arrive pre-squared from the factory; however, several factors can cause it to go out of square. It is relatively easy to adjust the fence back to square if needed following the steps below:

1. Loosen all six of the 1/4"-20 jam nuts
2. Using a square, determine where the fence has to be adjusted and use the 1/4"-20 set screws to adjust it one way or the other
3. Holding the set screw in place with a hex key, retighten the jam nut to lock the set screw position in place.
4. Repeat along the length of the fence until all six set screws are locked in position and the fence is square to the table top.

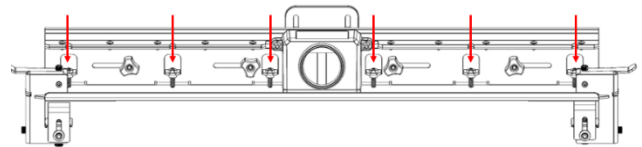


Figure 5 – Set screw locations for squaring fence

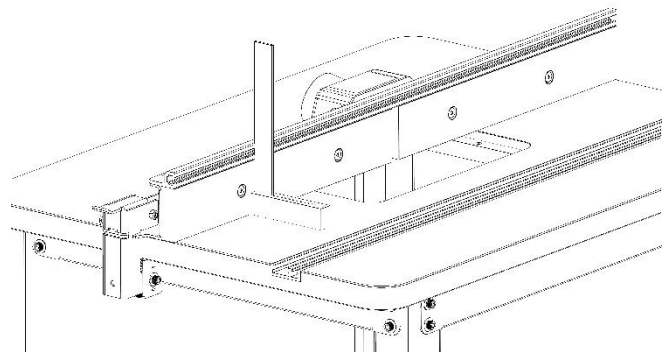


Figure 6 – Checking Fence Faces

Replacing Fence Faces

Over time, your fence faces may start to show signs of wear or get damaged. At this time, the fence faces should be replaced to ensure your fence keeps performing the same as the day it came out of the box.

To replace your fence faces, remove the four knobs on the back of the fence, as shown in figure 3. Using a hammer, lightly tap the end of each fastener in the fence faces to remove the carriage bolts.

Insert the carriage bolts into the new fence faces and attach them to the fence with the four knobs. Adjust as explained previously.

Following the drawing below, you can make your own replacement fence faces. The original faces that came with the fence were made out of laminated MDF, however many materials would work. Ideally the material will be wear resistant and unlikely to warp over time. Torrefied hardwoods or laminated products would make excellent choices.

Wooden Fence Face Drawing

