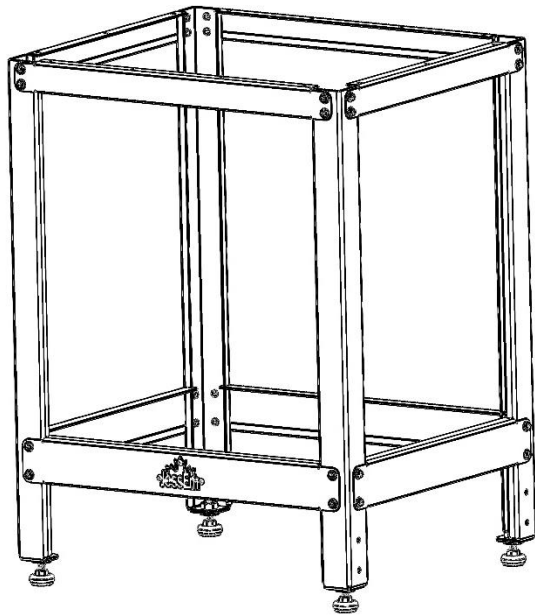


Steel Router Stand

User Manual

Model #05150



324 Desbrisay Avenue
Moncton, New Brunswick,
E1E 0G8, Canada

Toll Free: 800-436-6799
Local Phone: 705-726-8233
Fax: 705-327-0295
Email: Jessem@Jessem.com
Website: www.Jessem.com

Tools Required: 3/16" Hex Key (Provided)

Assembly Instructions

Thank you for choosing this product from JessEm Tool Company. We appreciate your support and hope that our product serves you well. This product is designed to provide many years of reliable service provided it is used as intended and taken care of.

This user manual will assist you in assembly and general operation of this product. It is not our intent to teach you about woodworking. It is assumed that you are an experienced woodworker with the basic skills and experience necessary to use this product safely. If after reading the following instructions you are unsure or uncomfortable about safely using this product, we urge you to seek additional information through widely available woodworking books or classes.

As part of our Continuous Product Improvement Policy, JessEm products are always advancing in design and function. Therefore, there may be differences between what is shown in our catalogs, website or at retail display and what is sold at time of purchase. We reserve the right to make positive changes to our products at our discretion.

1. Place two legs (part #5) on a flat surface with the castor holes facing out on either side (see Figure #3) and the leveling feet closest to you. Take the front lower brace (Part #8) and align it with the corresponding holes as seen in figure #3, ensuring the flange is oriented correctly. Using four ¼" Washers and four ¼"-20 x 3/8" Stainless steel Cap Screws (parts #2 and #4), loosely attach this brace to both legs. Do not fully tighten the screws at this point. All screws will be left loose until the entire stand is built.

Repeat this procedure to mount an upper brace to both legs (part #3), using the same mounting hardware as before. At this point you should have one side assembled, as seen in figure #3.

2. Take the two remaining legs and again lay them in front of you as done in Step 1. Build the rear leg and brace assembly the same way as done in Step 1, again leaving the screws slightly loose.

3. Next, take out the front assembly from Step 1, and the left and right top braces (Part #1). Using four 1/4" washers and four 1/4"-20 x 3/8" Stainless Steel Cap Screws, mount the upper side braces to the front assembly. The flanges on each brace should be mounted facing up and inward.

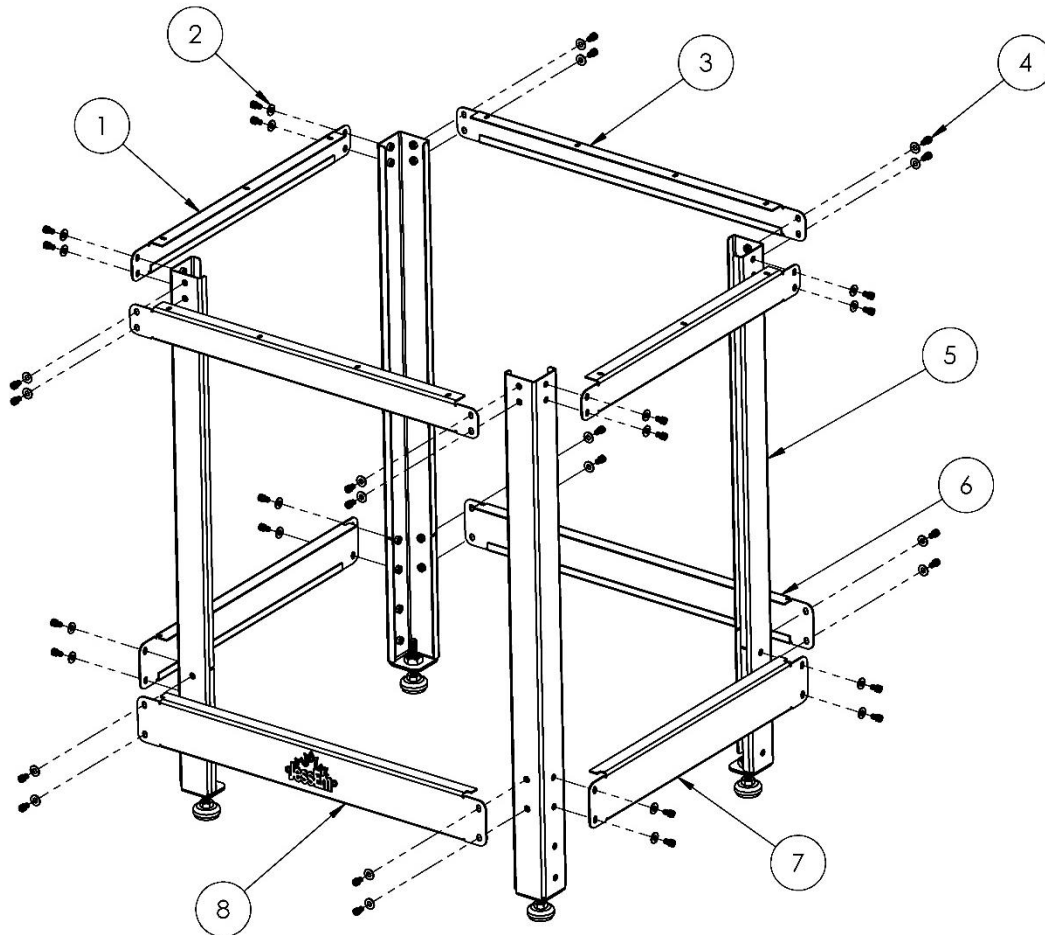
Repeat this process for the left and right bottom braces (part #7), again using four of the 1/4"-20 x 3/8" stainless steel cap screws (part #4) and four 1/4" stainless steel washers (part #2).

All screws should still be slightly loose at this point.

4. Take the rear leg and brace assembly from Step 2 and use the remaining eight 1/4"- 20 x 3/8" stainless steel cap screws (part #4) and eight 1/4" stainless steel washers (part #2) to enclose the stand. Once this is complete all bolts on the stand can be tightened securely with a 3/16" hex key. Do not over tighten the screws.

5. If mounting a table top to the stand, leave the top screws loose until the table top has been mounted. Then tighten all screws.

Figure #1



Item #	Part #	Description	QTY.
1	S0090-1-C	Upper Side Brace	2
2	F0348	1/4" O.D. x 5/8" I.D. Stainless Steel Washer	32
3	S0090-1-C	Upper Front and Back Braces	2
4	F0559	1/4"-20 x 3/8" Stainless Steel Cap Screws	32
5	S0090-1-C	Legs	4
6	S0090-1-C	Lower Back Brace	1
7	S0090-1-C	Lower Side Braces	2
8	S0090-1-C	Lower Front Brace (With JessEm Logo)	1

INDIVIDUAL LEG ASSEMBLY BREAK DOWN

Each Leg comes fully assembled with levlers

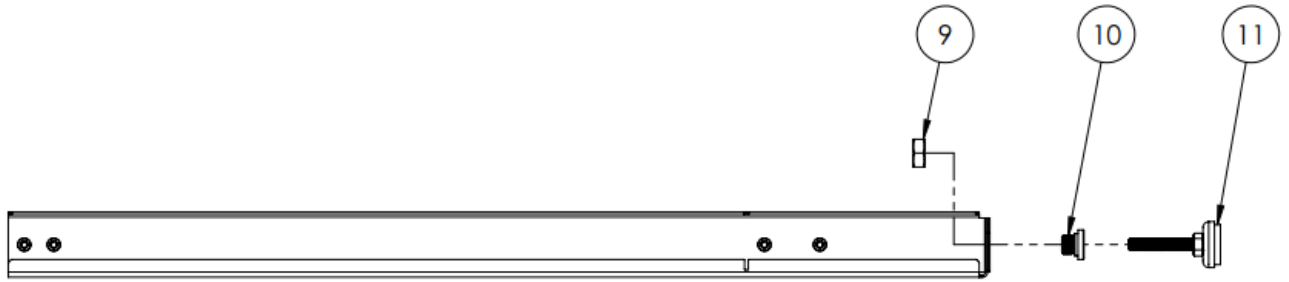
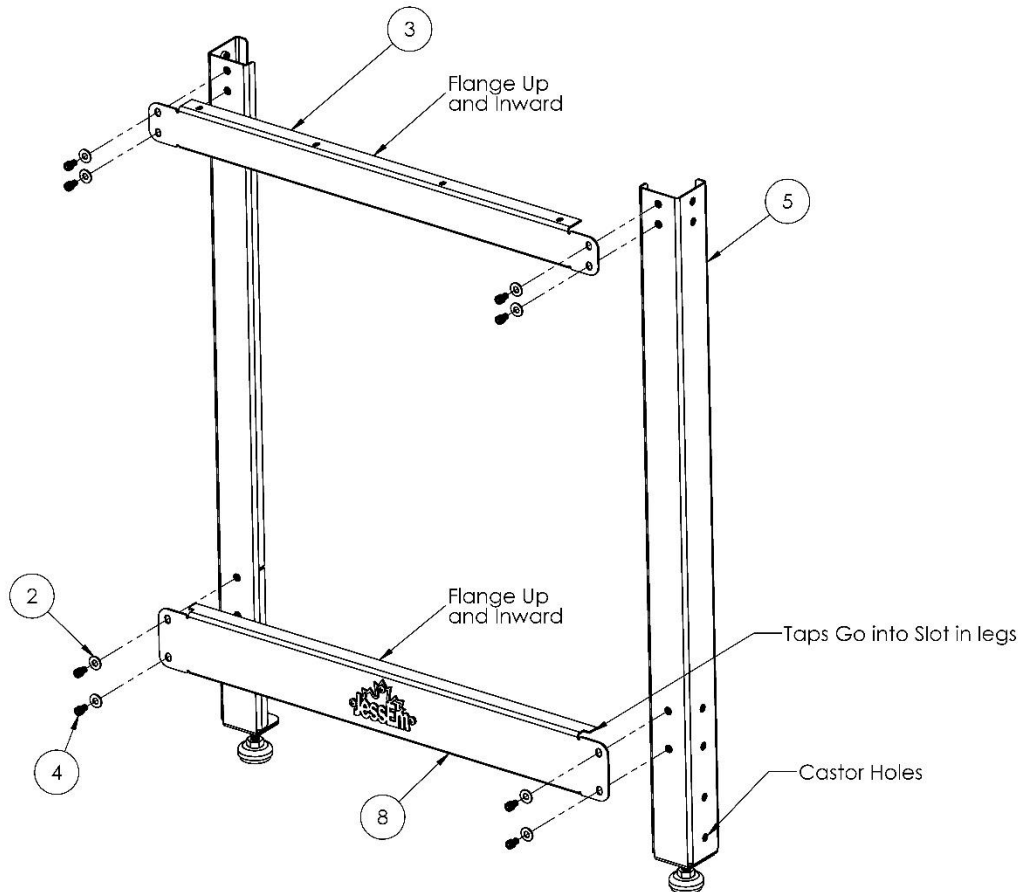


Figure #2

Item #	Part #	Description	QTY.
9	F0572	5/8" - 18 x 3/8" thick Hex Nut	4
10	S0087-2-C	Leveling Foot Threaded Insert	4
11	M0310	Leveling Foot Assembly	4

Figure #3



OPTIONAL ACCESSORIES (Sold Separately)

Castors

The 05150 Steel Router Stand was designed to be used with the 05151 Steel castor set.

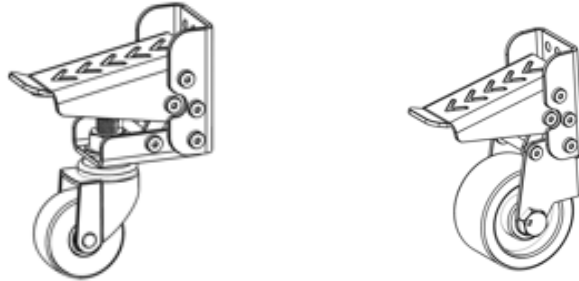
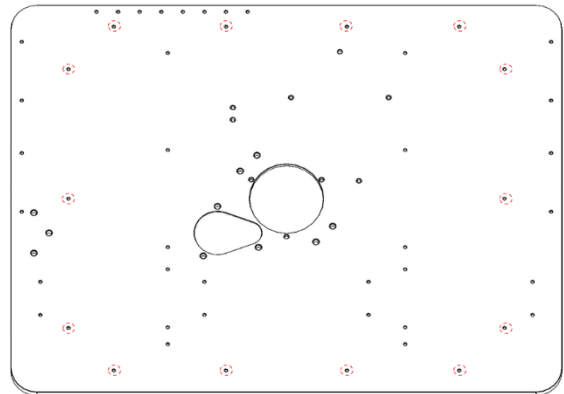
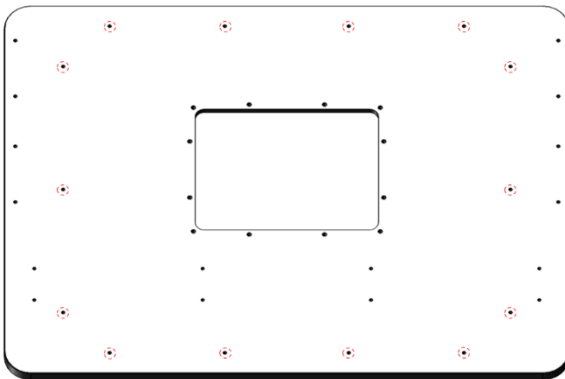


Table Top

The 05150 Steel Router Stand will allow both the JessEm Mast-R Top (left) and Mast-R-Lift Excel II (right) to be mounted with factory predrilled holes (see circled holes below).



JESSEM TOOL LIMITED WARRANTY

All JessEm products are warranted to be free from defects in material and workmanship. JessEm will repair or replace any product which upon inspection proves to be defective for a period of (1) year from dated receipt and proof of purchase. All warranty claims should be made direct to JessEm Tool Company. Contact JessEm for a warranty claim return authorization and instructions to proceed. The consumer is responsible for shipping costs to return product to JessEm Tool Company. We will repair or replace the product at our discretion and JessEm Tool will return shipment to you at no charge.

WARRANTY LIMITATIONS

This warranty does not cover:

- Repairs or alterations made or attempted by anyone other than JessEm Tool Company or an authorized JessEm service professional.
- Normal wear and tear
- Abuse, misuse or neglect.
- Improper care or maintenance.
- Continued use after partial failure.
- Products that have been modified in any way.
- Products used with improper accessories.