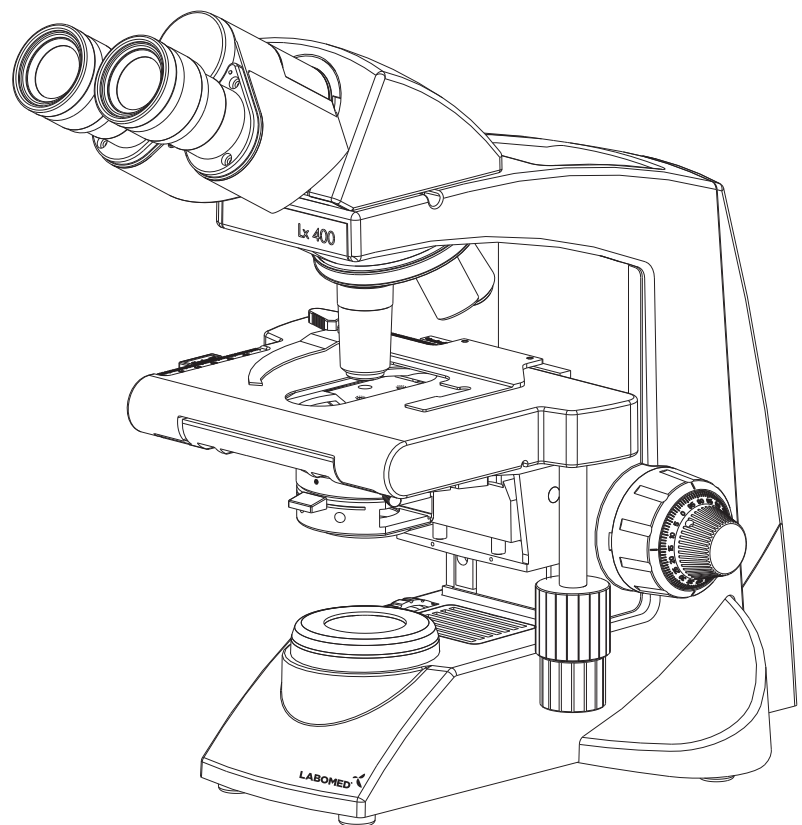


Lx 400 User Manual

Research Microscopy



To ensure proper use of this instrument as well as to avoid injury while operating instrument, understanding this manual completely before use is highly recommended.

CONTENTS

| | | |
|----|----------------------------------------------|-------|
| 1 | INTRODUCTION | 1 |
| 2 | SAFETY INFORMATION | 2-4 |
| 3 | Lx 400 BINOCULAR | 5 |
| 4 | Lx 400 TRINOCULAR | 6 |
| 5 | UNPACKING YOUR MICROSCOPE | 7 |
| 6 | STANDARD COMPONENTS | 8 |
| 7 | OPTIONAL ACCESSORIES | 9-11 |
| 8 | INITIAL SETUP | 12 |
| 9 | ASSEMBLY | 13-14 |
| 10 | SUMMARY OF BRIGHTFIELD OBSERVATION PROCEDURE | 15 |
| 11 | DETAILED OBSERVATION PROCEDURE | 16-20 |
| 12 | TROUBLESHOOTING GUIDE | 21-22 |
| 13 | SPECIFICATIONS | 23 |

1 INTRODUCTION

The Lx 400 is a research microscope reflecting a modern design as well as the latest in optical and mechanical advancements. Designed for professionals as well as clinicians, this microscope offers many features and functions for a diverse set of applications. Here are a few points highlighting the benefits of the Lx400:

- Extra clarity and contrast is provided through a 360° rotatable Binocular body inclined at 30° with IPD adjustments.
- The pressure die cast stand consists of ball bearing, frictionless sideways focusing to avoid any loss in motion.
- The sturdy new stylish design provides a high degree of comfort as well as stability.
- The high powered objectives are spring loaded to prevent accidental damage to specimen slides.
- The reverse angle quadruple nosepiece has a comfortable ribbed grip for easy rotation that also safeguards the turret system against any damage. All positions are par-centered and par-focalised ensuring the highest level of accuracy.
- The ball bearing mechanical stage allows smooth travel over a 78 x 54mm area with spring loaded stage clamps for retaining the specimen at the exact position desired. A 0.1mm vernier scale provides accurate location of specimen area.
- High power illumination is delivered through our well crafted Universal Power Supply and operates with any 100V- 240V AC input. The LED configuration is operational with an in-built rechargeable battery P/N 9135000-902, which when plugged in, draws power from a Universal Power Supply operating at 100V-240V Ac input. This ensures continuous operation even under fluctuating voltages.
- Our Halogen bulb (6V-20W) has an average life span of up to 2,000 hours. Our LED has an average life span of up to 100,000 hours.
- The Lx 400 comes equipped with a removable N.A. 1.25 Abbe condenser with aspheric lens for brighter illumination levels, and an iris diaphragm for better resolution and contrast control.

2 SAFETY INFORMATION

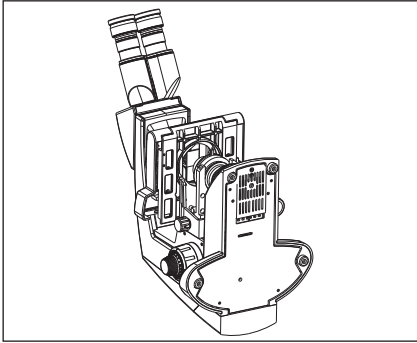


Fig. 1

1. After the microscope has been used for observation of a specimen containing bacteria, clean all parts coming in contact with the specimen to prevent infection.
 - Be sure to remove the specimen before moving this product.
 - In case the specimen is damaged by erroneous operation, it is important to clean all surfaces that may have come in contact with the specimen.
2. To avoid potential electrical hazards when replacing either halogen bulb or LED, turn the microscope's main switch to the OFF position and disconnect power cord from wall outlet in advance. Whenever you replace your microscope bulb, allow lamp socket and bulb to cool before touching (Fig. 1)

Applicable bulb/LED replacement: 6V20W Halogen bulb P/N CX-013; 6V30W Halogen bulb P/N EL-455 or LED P/N 9135000-901

3. Install microscope on a sturdy, level table or bench and avoid any restriction of air vents in the base of the unit. Do not place microscope on a flexible surface, as this could result in blocking the air vents and cause overheating.
4. Always use the power cord provided by LABOMED. If the proper power cord is not used, product safety performance cannot be warranted.
5. When installing the microscope, route the power cord away from the microscope frame. Should the power cord come in contact with the microscope's base, the power cord could melt due to overexposure to heat.
6. Always ensure that the grounding terminal of the microscope and that of the wall outlet are properly connected. If the unit is not grounded, LABOMED can not warrant electrical safety.
7. Never allow metallic objects to penetrate the air vents of the microscope frame as this could result in user injury and damage to the microscope.
8. After operation of microscope, be sure to disconnect power cord from connector socket of the microscope or from the wall power outlet.

Safety Symbols

The following symbols are found on the microscope. For optimal use, it is recommended that users understand these symbols and always use the equipment as prescribed.

| Symbol | Explanation |
|--------|------------------------------------------------------------------------------------------------------------------------------------|
| | This surface has a tendency to heat up and should not be touched unless system has completely cooled down. |
| | Before use, carefully read the instruction manual. Improper use could result in injury to the user and/or damage to the equipment. |
| | Warning against risk of electric shock. |
| I | Main switch is ON. |
| O | Main switch is OFF. |

Caution

If the microscope is used in a manner not specified by this manual, the safety of the user may not be warranted. In addition, the equipment may also suffer damage. Always use the equipments as outlined in this instruction manual.

1 Getting Started

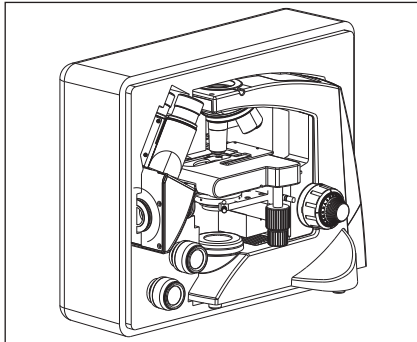


Fig. 2

1. A microscope is a precision instrument with delicate glass components. Please handle with care.
2. Do not use the microscope where it is subjected to direct sunlight, high temperature, humidity, dust and vibrations. (For the operating conditions, see chapter 14, "SPECIFICATIONS")
3. The microscope is ventilated by natural convection. Be sure to leave enough space (10 cm or more) around body when installing the unit.
4. Arm handle is provided for carrying the microscope.

To prevent damage, do not hold the microscope by the stage or observation tube.

Be sure to remove the specimen from the stage clip while transporting unit to avoid damage to the specimen slide.

2 Maintenance and Storage

1. Clean all glass components by wiping gently with cleaning cloth provided. To remove fingerprints or oil smudges, wipe with cleaning cloth slightly moistened with a mixture of petroleum (85%) and isopropanol (15%).
Since solvents such as petroleum and isopropanol are highly flammable, they must be handled carefully. Be sure to keep these chemicals away from open flames or potential sources of electrical sparks - for example, electrical equipment that is being switched "ON" or "OFF". Also remember to always use these chemicals only in a well-ventilated room.
2. Do not attempt to use organic solvents to clean the microscope components other than the glass components. To clean non-glass components, use a lint-free, soft cloth slightly moistened with a diluted neutral detergent.
3. Do not disassemble any part of the microscope as this could result in malfunction or mitigated performance.

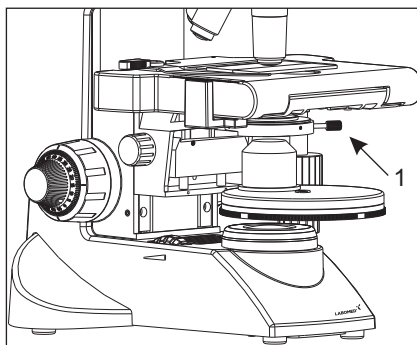


Fig. 3

4. When not using the microscope, ensure that the frame is fully cooled before storing the unit in a dry locker or covering with a dust cover (provided).
5. To clean the condenser/phase turret, fully loosen the securing thumb screw(1) and remove the condenser then, wipe the front lens of the condenser with optical cleaning solution (mixture suggested above) and lens tissue.
The condenser can be re-attached by replacing the condenser in its seat, tightening securing thumb screw, and raising condenser bracket to desired position.
6. Be sure to observe your local rules/regulation for product disposal.

3 Care & Maintenance

Your microscope has been engineered for a long and safe operational life with the least amount of maintenance required. In general, routine maintenance is limited to keeping the microscopes working parts lubricated and optics clean. Always cover the microscope with the provided dust cover when not in use.

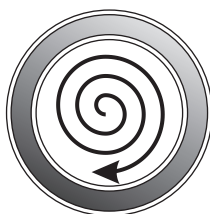
Optical Cleaning:

1. The objectives have been adjusted for a tight fit to prevent any damage during transportation. To remove an objective, rotate it counterclockwise while gripping it with a rubber sheet, etc. to avoid any slippage.
2. To clean the lens surfaces, remove dust using a soft brush or compressed air (cans available at your local electronics store). For removing finger marks or grease, soft cleaning cloth or lens tissue lightly moistened with cleaning solution (85% petroleum ether and 15% isopropanol) should be used. For cleaning the objective optics, use Methanol. Observe sufficient caution in handling Methanol. Place the objectives and/or eyepieces on a dust-free surface (e.g. aluminum foil). All other optical components to be cleaned should be as accessible as possible.
3. Blow all loose dust particles away with compressed air or mini dust blower.
4. Remove all water-soluble dirt with distilled water. If this is unsuccessful repeat using a solution of diluted hand soap liquid. Remove any remaining residue with a dry cotton swab.
5. To remove oil, use a solution of diluted hand-soap liquid initially. If this does not produce a satisfactory result, repeat the cleaning using a solvent (Optical Cleaning Solution 85% petroleum ether and 15% isopropanol).
6. Grease must always be removed using a solvent.
7. Cleaning is achieved by using a spiral motion from the center to the rim. Never wipe using zig-zag movements as this will only spread the dirt. With larger optical surfaces (e.g. tube lenses) the spiral motion starts initially at the rim before moving to the middle and is then followed by a center to rim cleaning motion. Normally several spiral wipes are recommended.

We recommend pure, volatile petroleum ether or Optical Cleaning Solution as explained in point 3 above.



zig-zag motion (X)



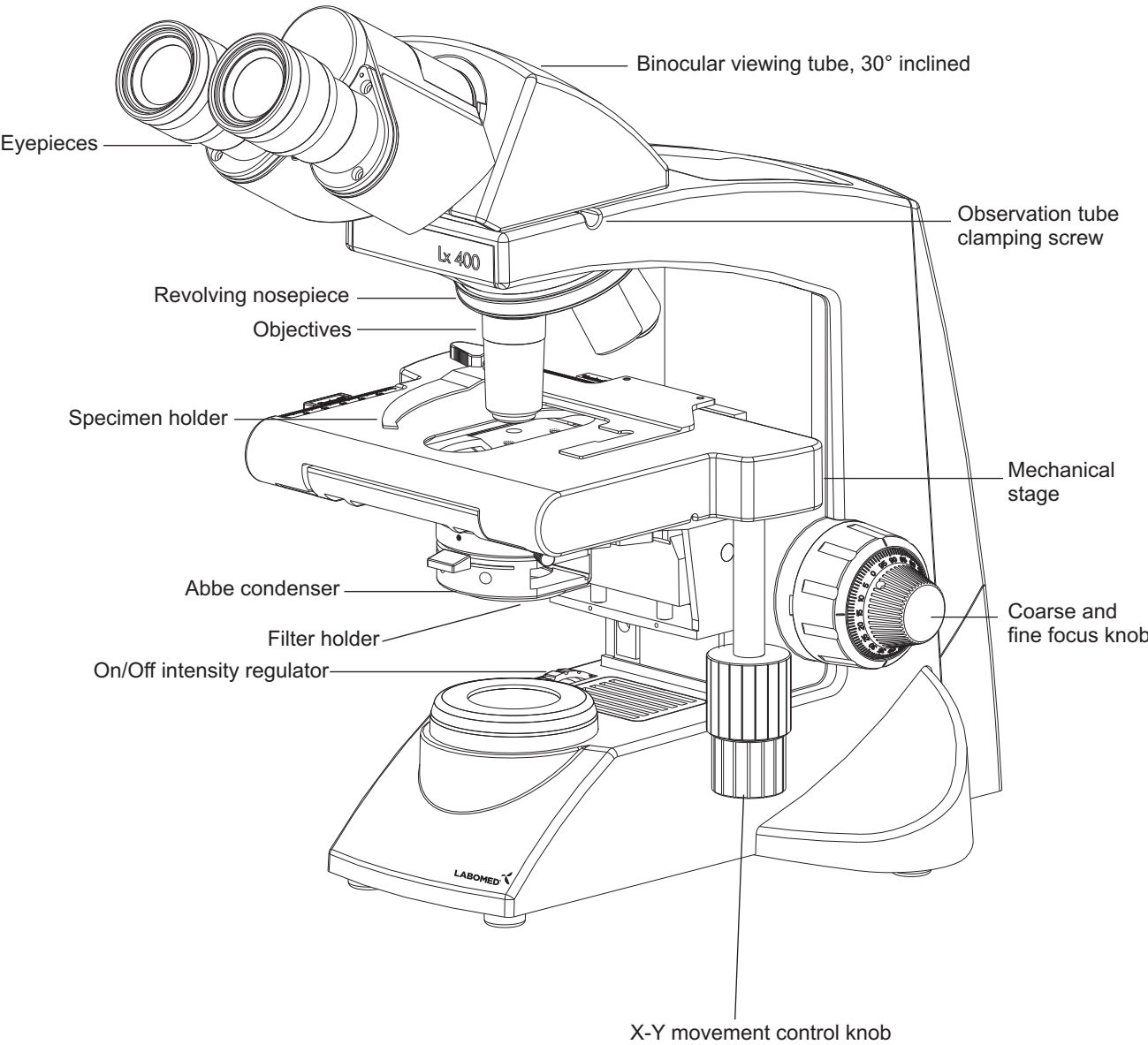
spiral motion (✓)

Wipe using a spiral movement. Do not use a zig-zag motion!

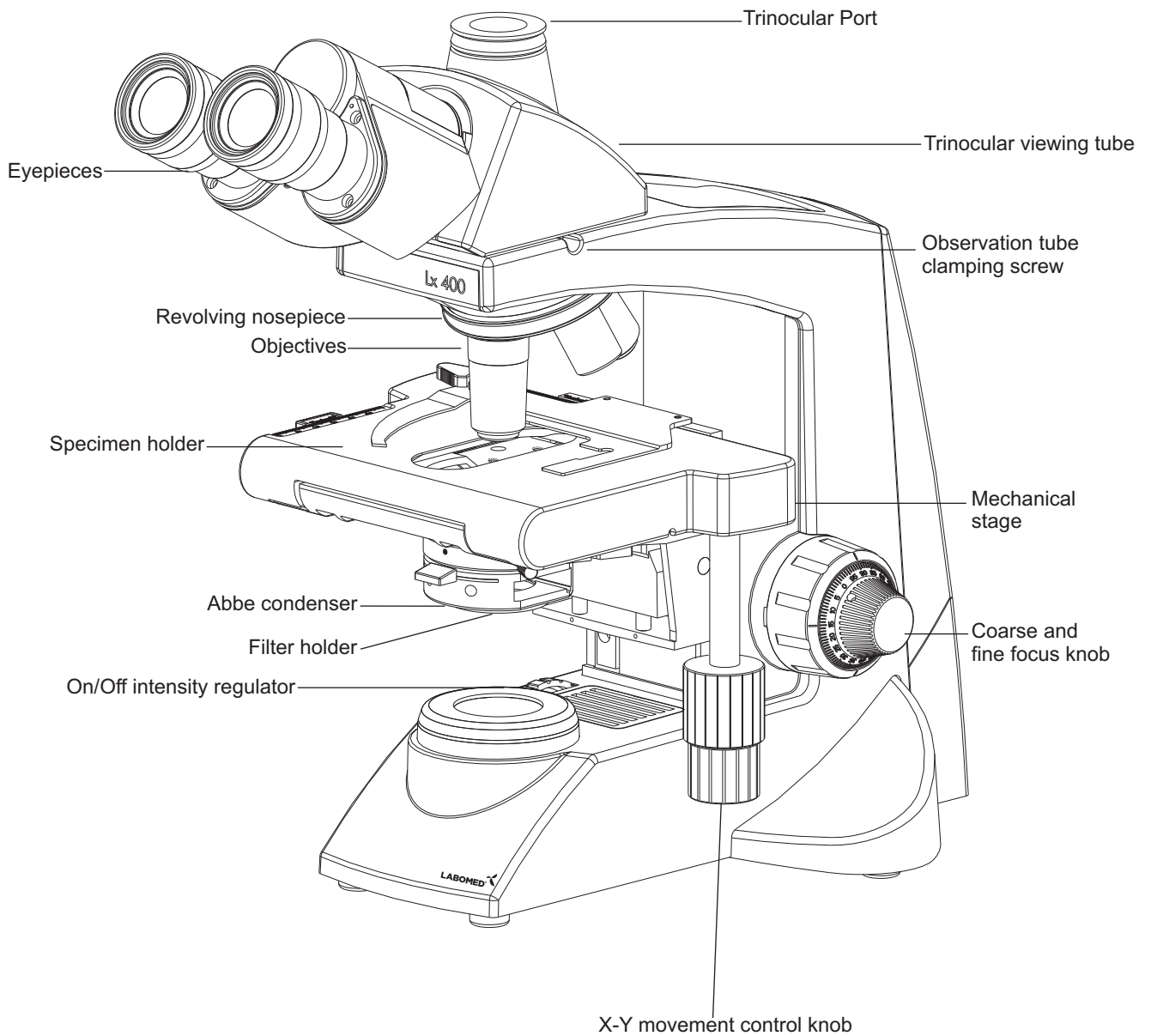
2. Cleaning of painted surfaces :

Avoid the use of any organic solvent (e.g. thinner, xylene, ether, alcohol etc.) for cleaning of painted surfaces of the instrument. Painted surfaces can be cleaned with a very lightly moistened micro fiber cloth. Loose dust and other dirt particles can be removed using a soft bristle brush used exclusively for this purpose.

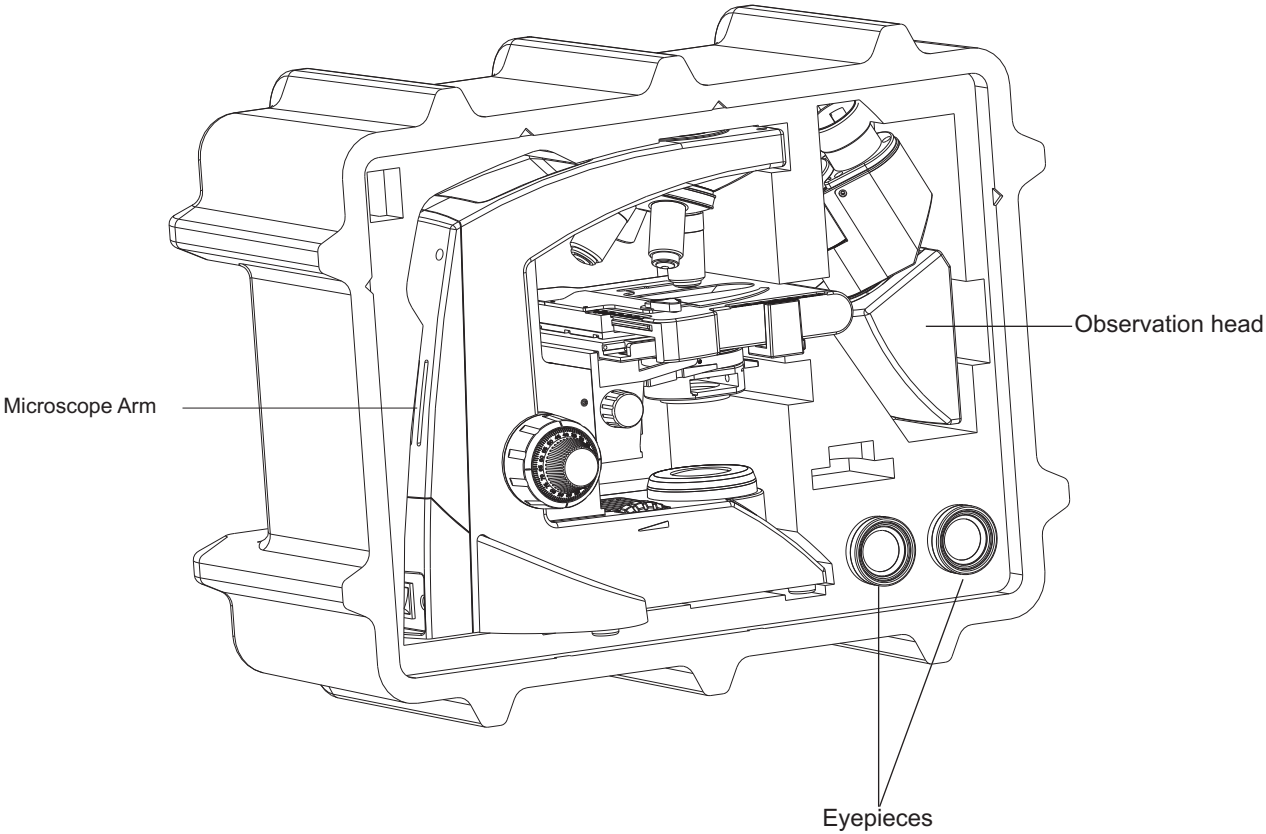
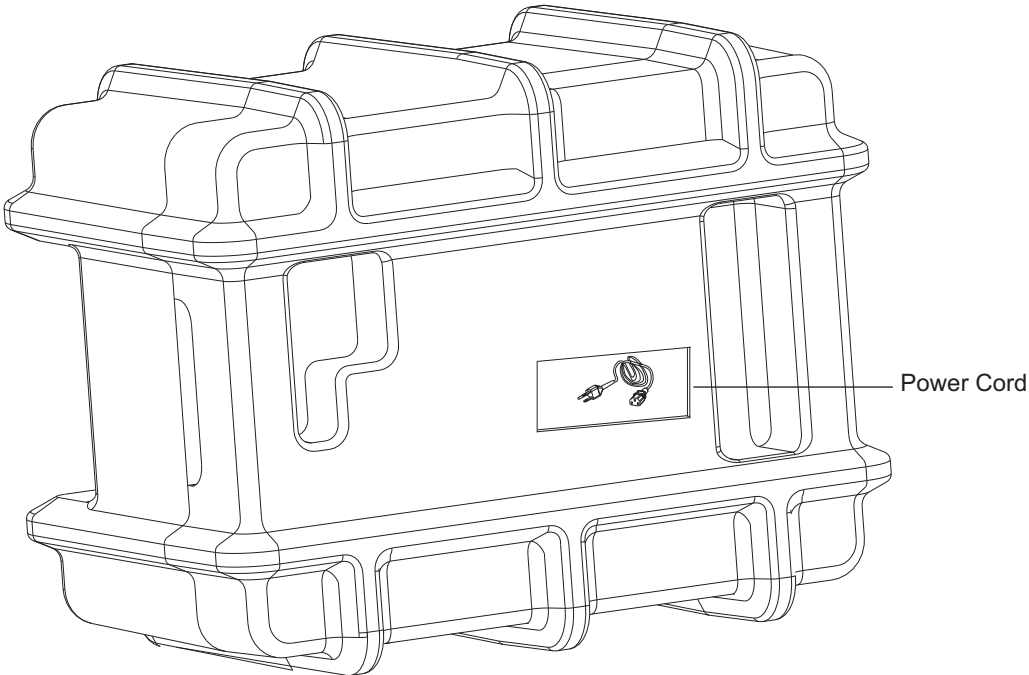
3 Lx 400 Binocular



4 Lx 400 Trinocular

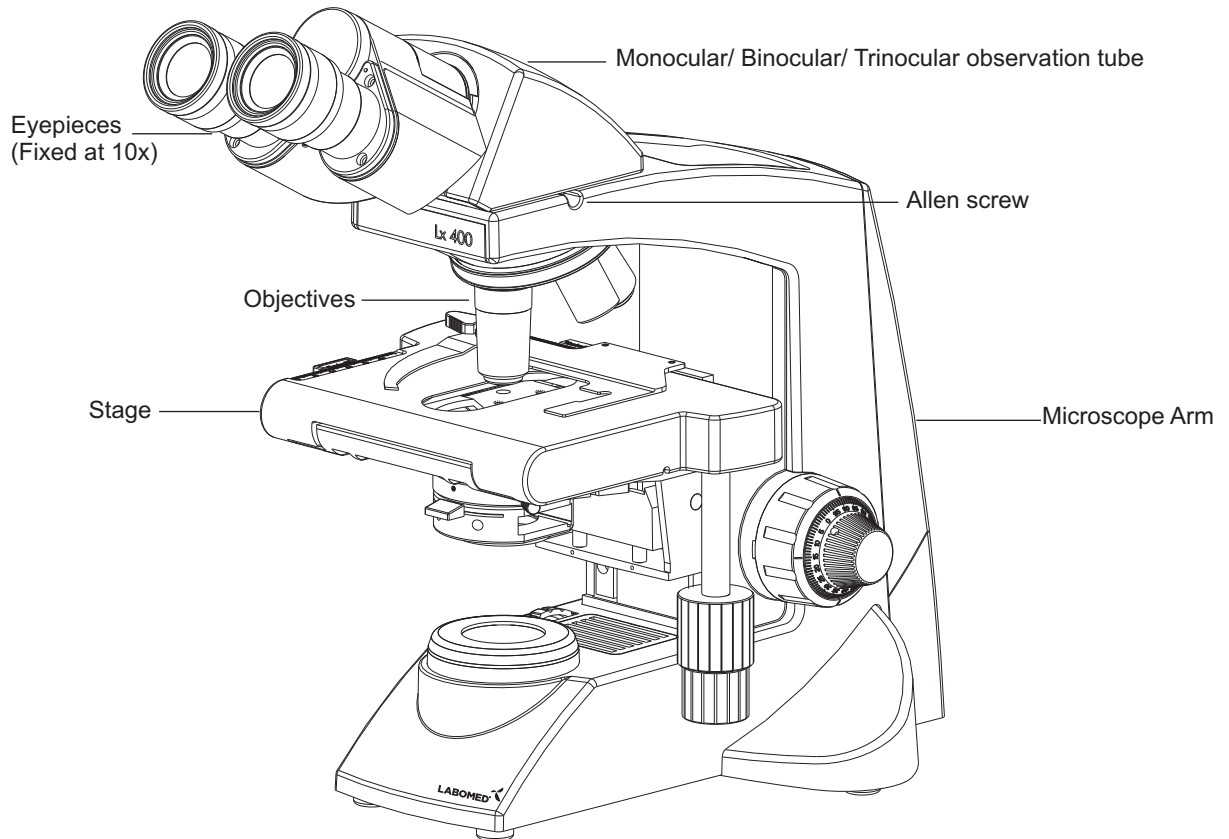


5 UNPACKING YOUR MICROSCOPE

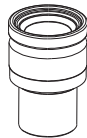


6 STANDARD COMPONENTS

- After removing your microscope from its packaging, make sure that all of the following contents are present. "Please note that the contents of your microscope may vary as the optional configuration, contrasting method or viewing body opted for may not be of the standard configuration highlighted here"



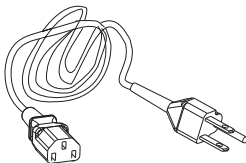
Daylight (blue) filter



Paired Eyepieces



Allen Wrench 3mm



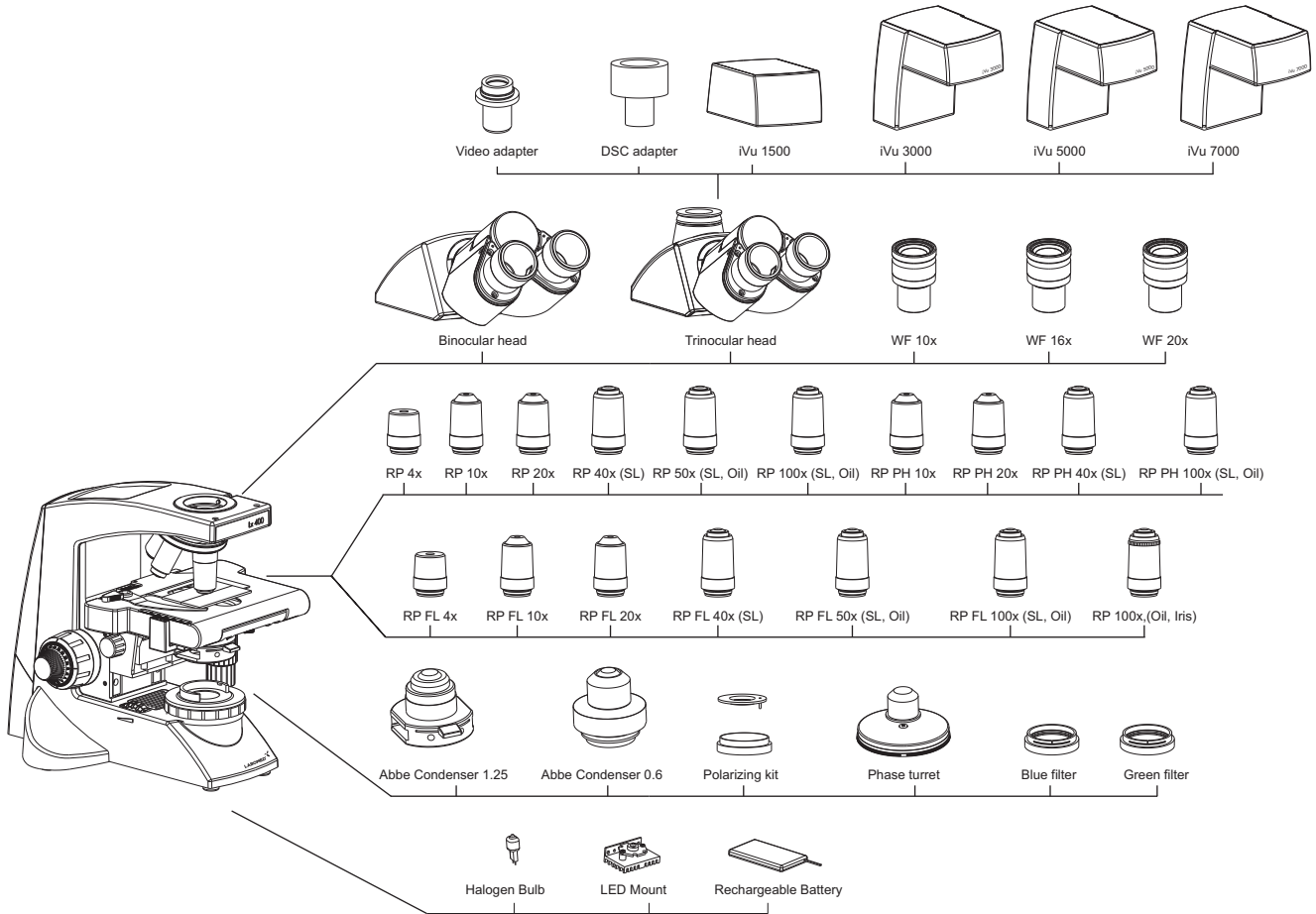
Power Cord



6V 20W Halogen bulb

7 OPTIONAL ACCESSORIES

System Diagram of Optional Accessories



Installation and Operation of Optional Accessories

1 iVu Camera Module System

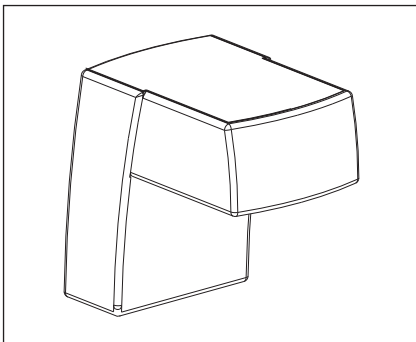


Fig. 4

1. Mount the Video adapter 1/2" (part # 3143300-912) on Trinocular observation head.
2. Mount iVu Camera Module System on video adapter.

2 Optional Eyepieces

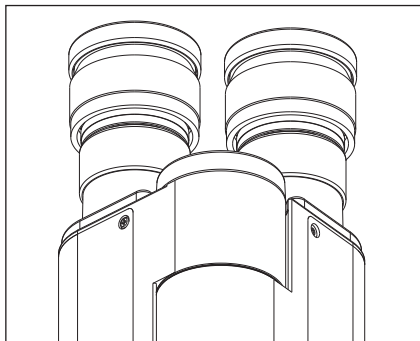


Fig. 5

10X eyepieces are provided. To replace:

1. Pull out the 10x eyepieces out from the observation heads ocular tube.
2. Insert desired eyepieces in empty ocular tube.

3 Phase Turret

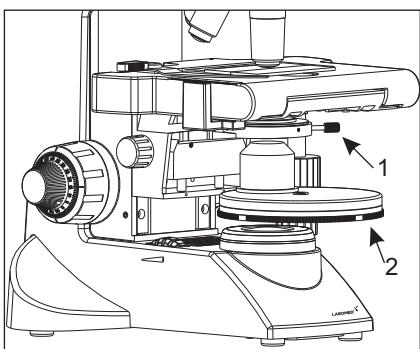


Fig. 6

1. Remove the condenser from its position by loosening the thumb screw (1) on right side of the condenser bracket as shown in figure 6.
2. Place the **phase annulus turret** in position from where the condenser has been removed.
3. Secure it with thumb screw (1). The phase turret can be adjusted at any desired phase annulus (10x, 20x, 40x & 100x) by turning the thumbwheel (2) to the desired position. There is also an '0' setting on the thumbwheel for bright field application

Note: Refer to the user manual provided with the Phase Contrast kit for centering and alignment.

4 Installing the Koehler Illumination Kit

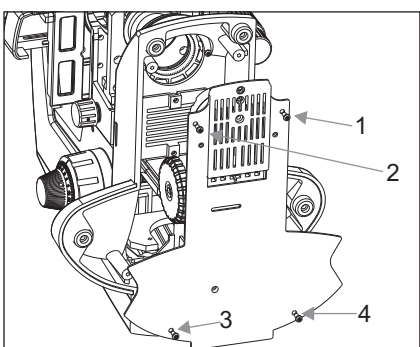


Fig. 7

Procedure for Koehler Installation kit (figure 7-11)

1. Lay the microscope on a clean surface toward right so that the microscope base is exposed.
2. Using a screw driver, unscrew four screws (1 to 4) from (figure 7) to open the base of the microscope.
3. Remove two screws (A) and (B) from (figure 8) to open the illumination mount and replace it with Koehler mount.

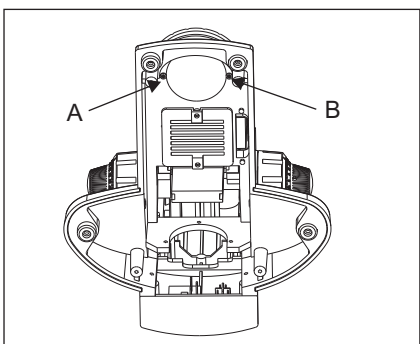


Fig. 8

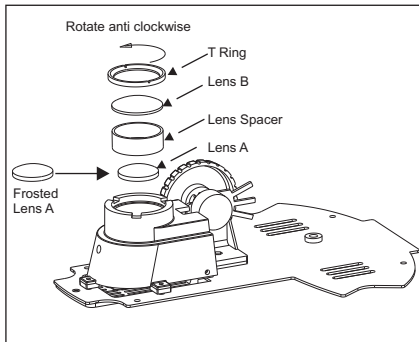


Fig. 9

4. Open the illumination assembly as in (figure 9), by rotating the T Ring. Replace the Lens B with frosted lens provided with the Koehler kit. Secure the lense assembly back.
5. Close the base cover with screws.
6. Replace the blue filter with D Lens. Refer figure 10.
7. Install the new Blue filter on the Koehler mount, figure 11.

Caution: The flat surface of the lenses will remain downwards for Lens A and Lens B.

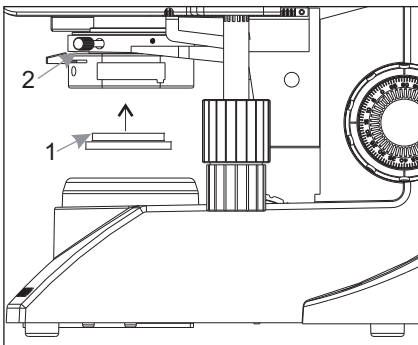


Fig. 10

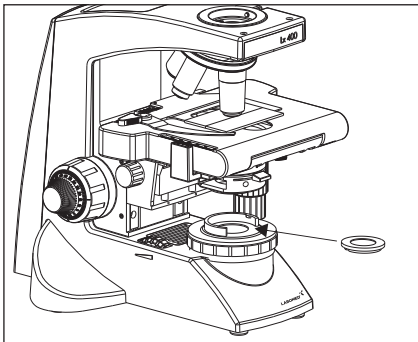


Fig. 11

8 INITIAL SETUP

1 Objectives

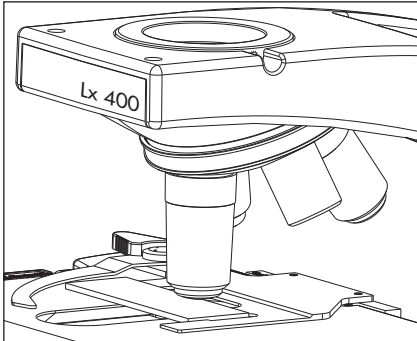


Fig. 12

Objectives are factory set. Objectives are par-centered and par-focalised during assembly.

All objectives have been secured for a tight fit to prevent them from coming loose during transit. To remove an objective, rotate it counterclockwise while holding it with a rubber grip to avoid any slippage.

2 Observation Head

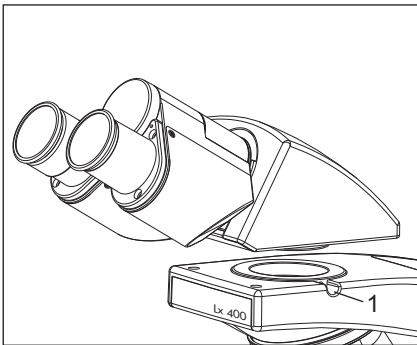


Fig. 13

Install the observation head using the following procedure:

1. Using allen wrench 3mm (provided), loosen the Head Locking Screw (1) and remove the dust cover cap provided in dovetail cavity as well as on observation head dovetail.
2. Mount the Observation Head by engaging the dovetail provided at the bottom of the head into the dovetail cavity provided in the microscopes arm.
3. Tighten the Head Locking Screw (1) after positioning the Observation Head as desired. See figure 13.

3 Eyepieces

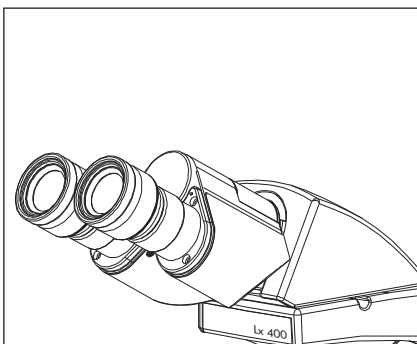


Fig.14

Insert the eyepieces into the ocular tube of Observation Head using following procedure:

1. Remove the protective caps from the observation tube.
2. Insert 10x eyepieces into the ocular sleeve and tighten the clamping screw (1) using allen wrench 1.2mm. See figure 14.

9 ASSEMBLY

Each standard set can be assembled by simply attaching the bulb, filter and power cord.

1 Installing or Replacing the Lamp Bulb

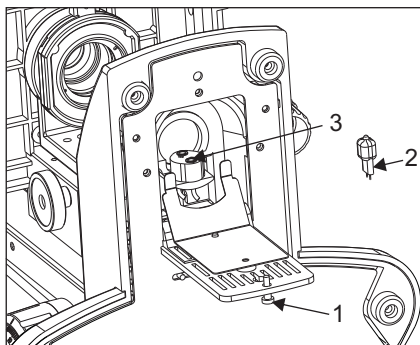


Fig. 15

Before attaching the lamp bulb, remove the parts that may drop such as the filter and specimen from the microscope frame, and place the microscope on its back so that the bottom plate is exposed.

1. Pull the lock knob (1) on the bottom to open lamp housing door (fig. 15).
2. Hold the halogen bulb (2) without taking it out of the polyethylene bag so as not to taint the bulb with fingerprints and push the bulb into the pin holes on the socket (3). After attaching, remove the polyethylene bag.
3. With the lock knob pulled out, close the lamp housing door, then push the lock knob back to lock the cover.

Always use the designated bulb. Using a bulb other than those specified by LABOMED may lead to a fire hazard. Fingerprints or stains on the lamp bulb reduce its life. If contamination occurs, wipe bulb surface with a cloth slightly moistened with alcohol.

Caution: For Bulb Replacement During Use or Right After Use

The bulb, lamp socket and areas near these will be extremely hot during and right after use. Set the main switch to "O" (OFF), disconnect the power cord from the wall outlet, and allow the bulb and lamp socket to cool before replacing the bulb with a new bulb of the designated type. Cooling time may vary to users discretion.

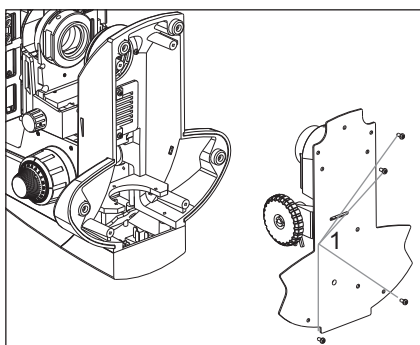


Fig. 16

Procedure for LED replacement (figure 16):

1. Lay the microscope on a clean surface toward right so that the microscope base is exposed.
2. Using a screw driver, unscrew four screws (1) to open the base of the microscope.
3. Remove three screws (2) provided on the lamp housing (use screw driver) to open the lamp housing.
4. Open the LED mount by opening the two screws (3).
5. Replace existing LED mount with live LED mount.
6. Reverse the steps 4 to 1, to complete the process.

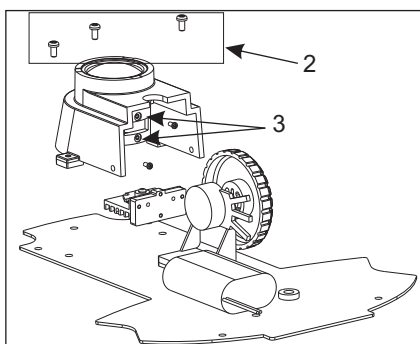


Fig. 17

Applicable bulb/LED replacement: 6V20W Halogen bulb P/N CX-013; 6V30W Halogen bulb P/N EL-455 or LED P/N 9135000-901

2 Mounting the Daylight (Blue) Filter

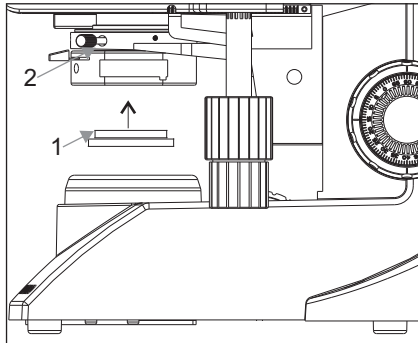


Fig. 18

This filter modifies the color of observation light into a natural (daylight color).

- Fit the filter (1) into the bottom of the condenser (2) until it clicks into (Figure 18).

3 Installing or Replacing the Fuse

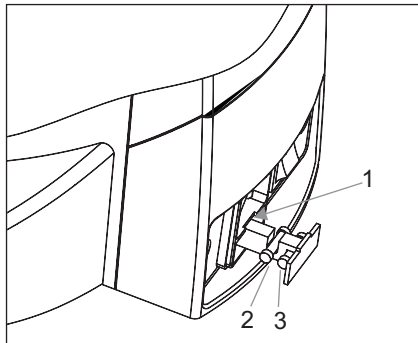


Fig. 19

Before replacing the fuse, remove the parts that may drop such as the filter and specimen from the microscope frame. Turn around the microscope to its back so that the AC inlet is visible.

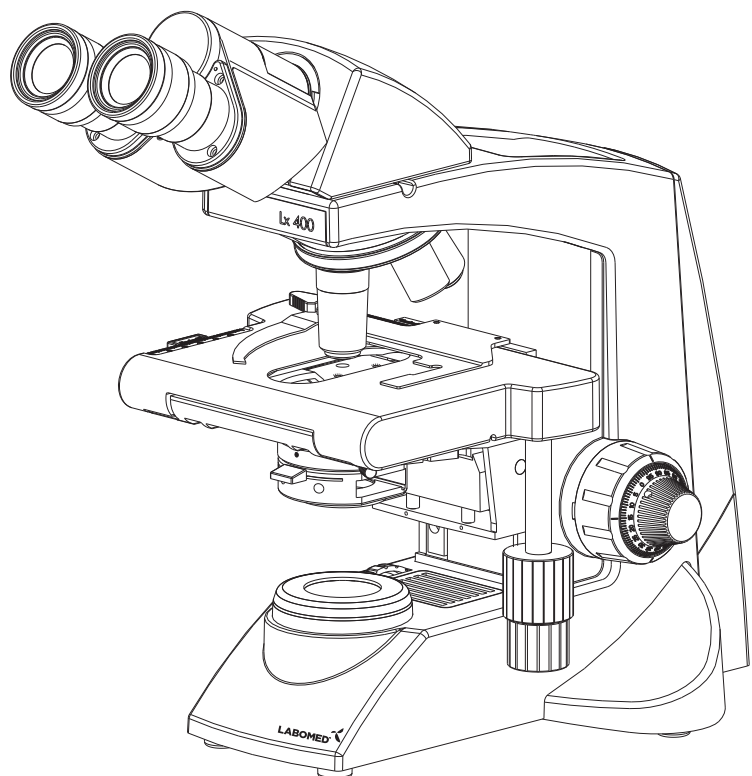
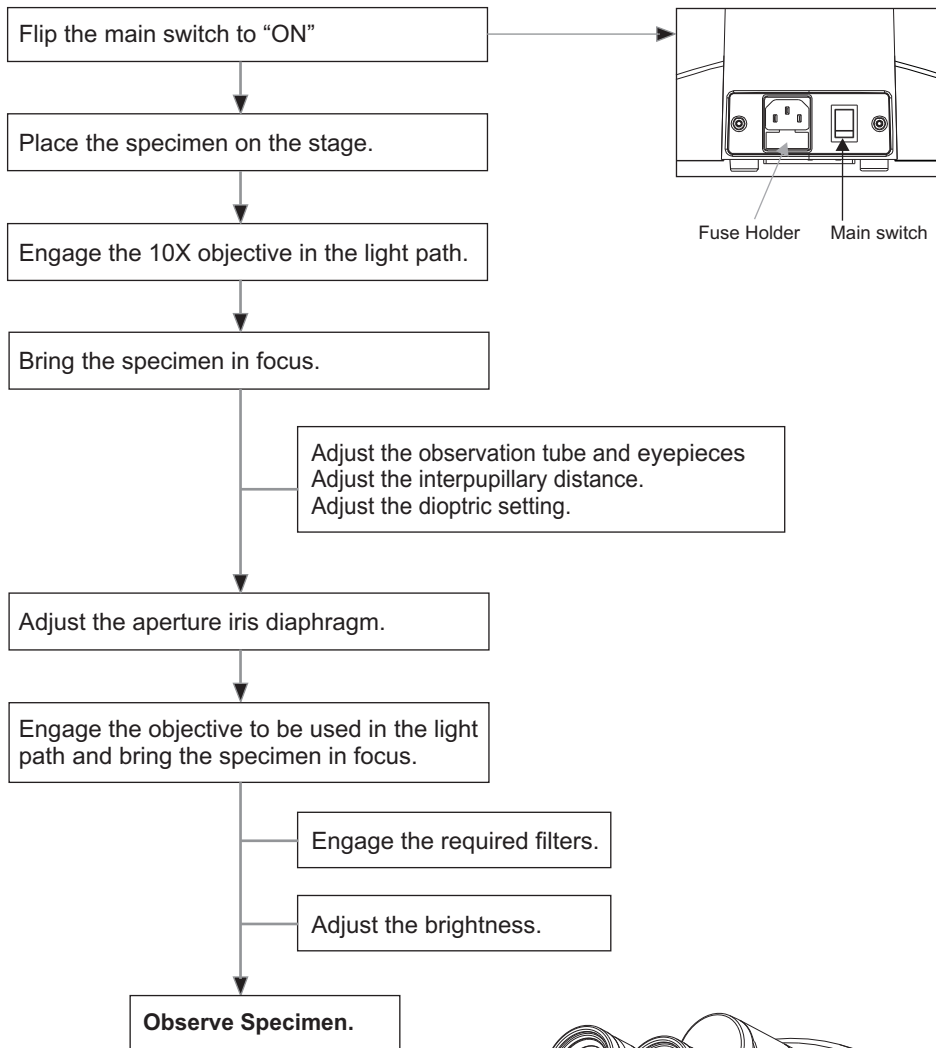
1. Use a flat head screw driver to open the fuse holder (1).
2. The fuse tray will come out with (2) live fuse and (3) spare fuse. Do not pull out the fuse tray with force as it is locked and will not be out completely.
3. Replace the primary fuse (2) with the spare fuse.
4. Engage the fuse tray back in.

Always use the designated Fuse. Using a fuse other than those specified by LABOMED may lead to a fire hazard.

Caution: For Fuse replacement

Set the main switch to "O" (OFF), disconnect the power cord from the wall outlet.

10 SUMMARY OF BRIGHTFIELD OBSERVATION PROCEDURE



11 DETAILED OBSERVATION PROCEDURE

1 Turning the Lamp ON

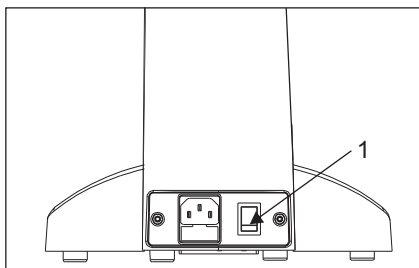


Fig. 20

1. Flip the main switch to "I" (ON) as shown in Figure 19.
2. Rotating the light intensity adjustment knob (Fig. 20) in the direction of the arrow increases brightness and rotating knob in the opposite direction decreases brightness. The intensity bar next the knob indicates the direction of intensity level.

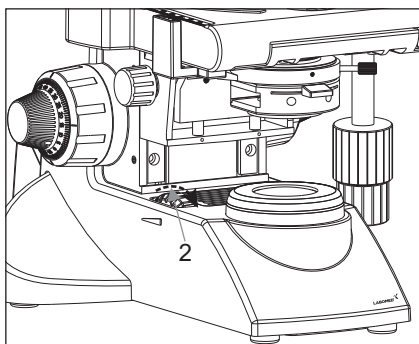


Fig. 21

2 Placing specimen on the stage

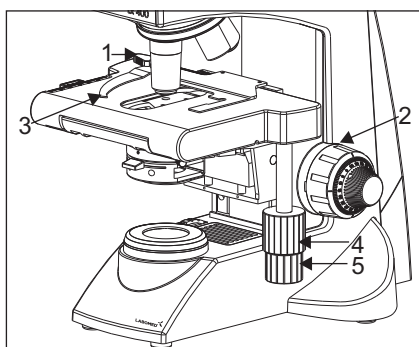


Fig. 22

1. Rotate the coarse adjustment knob (2) in anticlockwise direction to fully lower the stage.
2. Open the bow-shaped lever (3) outward by pulling on lever handle (1), place the specimen by sliding the specimen glass plate(s) on the stage from the front toward the slide seat at the rear.
3. After positioning your specimen slides, (2 max) return the bow-shaped lever (3) gently by slowly releasing control knob (1).
4. Rotating the upper co-axial knob controlling the Y-axis movement (4) moves the specimen in the vertical direction. Rotating the lower knob (5) moves the specimen in the X-axis or horizontal direction.

Do not adjust the specimen holder directly by hand, for this will damage the rotary mechanisms.

When the specimen holder reaches stop position, the rotation force of the X/Y knobs become stiff. Stop rotating the at this point.

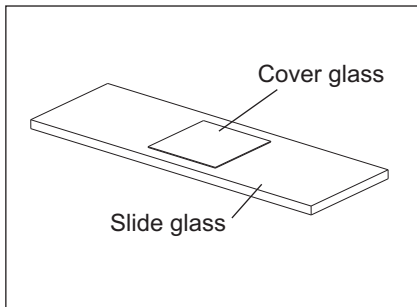


Fig. 23

Cover glass

This is the glass plate placed on the specimen. For optimum optical performance, the cover glass thickness, which is the distance from its surface to the specimen surface, should be 0.17 mm.

Slide glass

This glass plate should ideally have a length of 76 mm, width of 26 mm ± 1 mm and thickness between 0.9 and 1.4 mm.

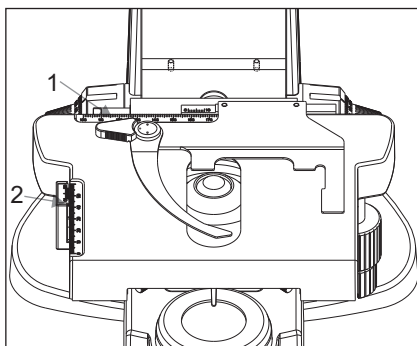


Fig. 24

“Vernier Scales”

These scales allow for easy identification of the specimen’s position (coordinates), making it easy to return to a particular region of interest after scanning the slide. (Figure 23.)

1. The horizontal coordinate can be read at position (1) on the specimen holder.
2. The vertical coordinate can be read at the index line (2).

3

Adjusting the Focus

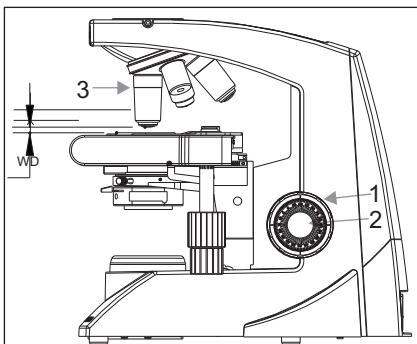


Fig. 25

Focusing Procedure (Figure 18)

1. Rotate the coarse adjustment knob (1) clockwise so that the objective (3) is as close as possible to the specimen (We recommend starting with 10X).
2. While observing the specimen through the eyepieces, slowly rotate the coarse adjustment knob (1) counterclockwise to lower the stage.
3. When coarse focusing of the specimen is obtained (an image is observed), rotate the fine adjustment knob (2) for fine detail focusing.

Working Distance (WD)

The WD refers to the distance between each objective and the specimen, when acute focus of the specimen is obtained.

| | | | | |
|-------------------------|------|------|------|------|
| Objective Magnification | 4X | 10X | 40X | 100X |
| WD (mm) | 30.5 | 4.82 | 0.55 | 0.11 |

4 Adjusting the Interpupillary Distance (IPD)

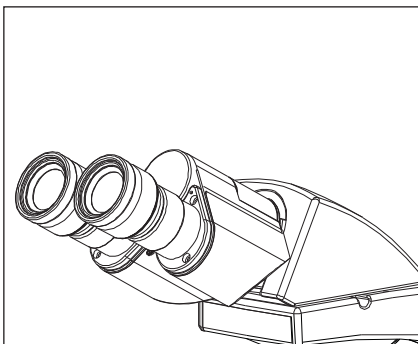


Fig. 26

The inter-pupillary distance adjustment consists of regulating the two eyepieces to align with both eyes' pupils so that you can observe a single microscopic image through two eyepieces in stereo vision. This greatly helps to reduce fatigue and discomfort during observation.

While looking through the eyepieces, move both eyepieces laterally until the left and right fields of view coincide completely. The position of index dot (•) indicates the inter-pupillary distance value.

Note your interpupillary distance so that it can be quickly referred to in the future. This happens when multiple users work with the microscope.

5 Adjusting the Diopter

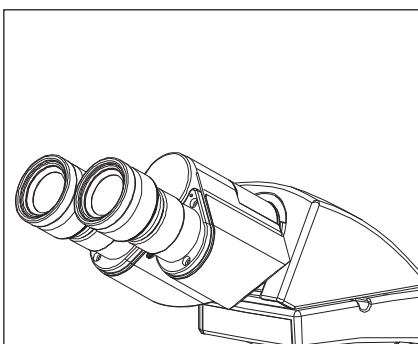


Fig. 27

Procedure for adjusting the diopter:

1. Rotate the right eyepiece to match the markings of your IPD (If your IPD is 64, rotate the eyepiece to 64 mark).
2. While looking through the right eyepiece with your right eye, rotate the coarse and fine adjustment knobs to bring the specimen into focus.
3. While looking through the left eyepiece with your left eye, rotate only diopter adjustment ring on the eyepiece until specimen is at its best possible focus.

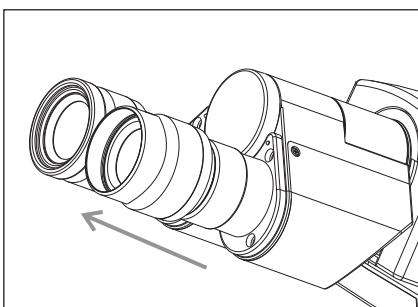


Fig. 28

Using the Eye Guards

When Wearing Eyeglasses

Use with the eye guards in the normal, folded-down position. This will prevent the eyeglasses from being scratched.

When Not Wearing Eyeglasses

Extend the folded eye guards outwards (direction of the arrow) to prevent ambient light from entering into your line of vision.

6 Centering the Condenser

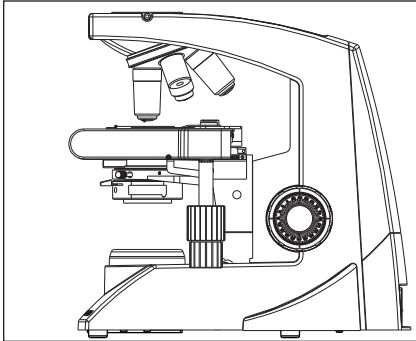
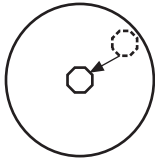


Fig. 29



The condenser is fixed and cannot de-center. In case of any error, remove the condenser by loosening thumb screw and re-install the same.

For models with Koehler illumination:

The Koehler mount has the floating diaphragm mount (fig. 30, 3). With this the Koehler can be centered wrt to the condenser.

1. Put specimen slide on stage.
2. Click 10x obj. in position.
3. Focus the specimen.
4. Close the Base diaphragm, Remove the slide.
5. Move condenser up & down to get sharp image of base diaphragm.
6. Now optimize base diaphragm by floating it and center it.
7. Leave the base diaphragm at the final position. Close the base diaphragm fully.

7 Adjusting the Condenser Position and Aperture Iris Diaphragm

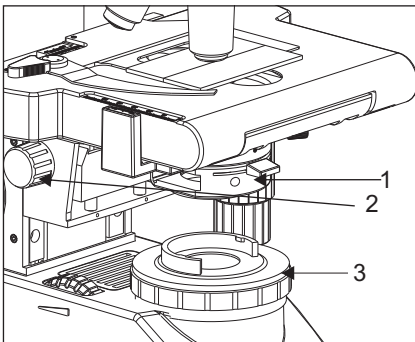


Fig. 30

The condenser is most often used in the highest position. If the observed field of view is not bright enough, brightness may be improved by lowering the condenser slightly

1. Rotate the condenser height adjustment knob (2) to move the condenser to the highest or desired position.
2. The aperture iris diaphragm ring (1) has an objective magnification scale (4X, 10X, 40X, 100X). Slide the diaphragm lever left right to achieve the desired illumination level.

8 Switching the Objectives

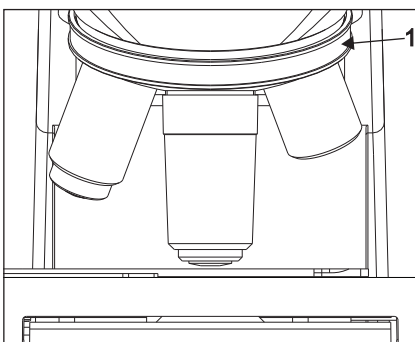


Fig. 31

Rotate the revolving nosepiece (1) so that the objective to be used is in line above the specimen. Always use the ribbed grip(1) to rotate the objective nosepiece.

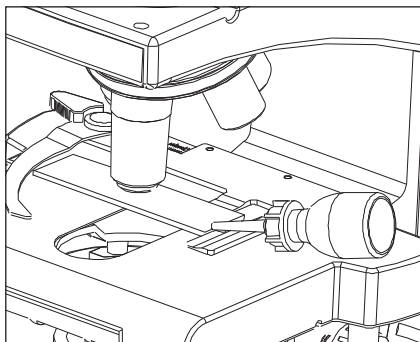


Fig. 32

The designated immersion oil should be in contact with the cover lens of the 100X immersion objective. If not, the specimen will appear distorted and dull. It is recommended that LABOMED immersion oil is always used.

Immersion Process:

1. Bring the specimen in focus using first the 10x, then 40x objective.
2. Disengage the 40x cycling towards 100x, and place a drop of immersion oil on the center point of the specimen.
3. Rotate the revolving nosepiece to engage the immersion objective and rotate the fine adjustment knob to bring the specimen into focus **(Since air bubbles in the oil will affect the image quality, make sure that the oil is free of bubbles. To remove bubbles, rotate the revolving nosepiece slightly to agitate the oil).**
4. The condenser of this microscope manifests the full performance when oil is placed between the slide glass and the front lens of condenser. If oil is not placed there, the observed image may appear dark.
5. After use, remove oil from the objective front lens by wiping with lens tissue slightly moistened with an ether (70%) alcohol (30%) mixture.

Caution

If immersion oil makes contact with your eyes, rinse eyes out thoroughly with fresh water. If immersion oil makes contact with skin, wash affected areas with soap and water.

If prolonged discomfort is experienced, consult your physician immediately.

12 TROUBLESHOOTING GUIDE

Under certain conditions, performance of the unit may be adversely affected by factors other than defects. If problems occur, please review the following list and take corrective action as needed. If problem persists, please contact LABOMED or your local LABOMED dealer.

| Observation | Cause | Remedy |
|--------------------------------------------------------------|---------------------------------------------------------------------|-----------------------------------------------------------------------------------------------------------------------------------------------------|
| 1. Uneven brightness in observation field | The objective is not engaged in the light path | Engage the objective into position until the nose turret clicks |
| | The condenser is too low | Raise up to achieve more light (Pg#18) |
| | The objective, eyepiece, condenser and/or window lens are dirty | Clean them thoroughly as previously prescribed in "Optical Cleaning"(pg#4) |
| 2. Dust or stains are visible in observation field | The eyepiece, condenser, window lens and/or specimen glass is dirty | Clean glass parts thoroughly with lens tissue and cleaning solution prescribed in "Optical Cleaning"(Pg#4) |
| 3. Glare visible in field of View | The condenser is too low | Raise condenser light |
| | The condenser iris diaphragm ring is closed | Adjust the aperture according to the objective magnification (Pg# 18) |
| 4. Observation image is hazy or unclear | The objective is not engaged in the light path | Engage the objective into position until it clicks (Pg# 18) |
| | The objective, eyepiece, condenser and/or specimen glass is dirty | Clean glass parts thoroughly with lens tissue and cleaning cloth |
| | Immersion oil is not used with an immersion objective. | Use immersion oil as suggested (Pg# 19) |
| | Bubbles are present in immersion oil | Remove the bubbles by agitation (Pg# 19) |
| | The specified immersion oil is not used | Use the immersion oil supplied by LABOMED |
| 5. Part of image is defocused | The objective is not properly engaged in the light path | Engage the objective into position until the nose turret clicks |
| | The specimen is not set properly on the stage | Set the specimen correctly on the stage and secure using the specimen holder (Pg# 15) |
| 6. Coarse focus adjustment cannot lower the stage low enough | The condenser is too low | Raise the condenser |
| 7. Fields of view through both eyepieces is inconsistent | The interpupillary distance is not adjusted properly | Adjust IPD to the appropriate setting (Pg# 17) |
| | Dioptric compensation for the two eyes is not set | Adjust diopter settings (Pg# 17) |
| | The left and right eyepieces are of different magnification | Ensure that both eyepieces are of same magnification. LABOMED does not recommend using third party eyepieces in conjunction with LABOMED eyepieces. |

| Observation | Cause | Remedy |
|--------------------------------------------------------------------------------------------------|--------------------------------------------------|--------------------------------------------------------------------------|
| 8. Objective hits the specimen when an objective is switched to a higher magnification objective | The specimen slide is upside down | Set the specimen correctly with the cover glass facing upwards |
| | The cover glass is too thick | Use a cover glass with thickness of 0.17mm |
| | The stage is raised too high | Lower the stage |
| | The slide has slipped from the slide holder | Re-position the slide in the slide holder |
| | Slide is of excessive thickness | Use slides with thickness between 0.9 and 1.4mm |
| 9. Bulb/LED does not turn On | Bulb/LED is not mounted | Attach a bulb/LED |
| | Bulb/LED is blown | Replace the bulb/LED |
| | The power cord is unplugged / Not firmly secured | Ensure power cord is securilly plugged into the box socket + wall outlet |
| | Fuse is blown | Check and replace with live fuse |
| | Battery is low | Charge battery |
| 10. Bulb/LED blows easily | The specified bulb/LED is not used | Replace with the specified bulb/LED |

13 SPECIFICATIONS

| | | | |
|--------------------------|------------------------------------------------------------------------------------------------------------------------------------------------------------------------------------------------------------------------------------------------------------------------------------------------------------------------------------------------------------------------------------------------------------------------------------------------------------------------------------|----------------------------------------------|----------------|
| 1. Illumination | Built-in illumination system Halogen/ LED | | |
| 2. Focusing mechanism | Stage height adjustment mechanism Fine adjustment scale: 3.0µm per graduation Fine adjustment stroke: 0.3mm per turn Total stroke: 12.7mm Co-axial coarse and fine focusing on ball drive | | |
| 3. Revolving nosepiece | Quadruple positions fixed (Reverse angle) | | |
| 4. Observation tube | | Binocular | Trinocular |
| | Field number | 20 (Standard) | 20 (Standard) |
| | Tube tilting angle | 30° | 30° |
| | Interpupillary distance adjustment range | 48-75 | 48-75 |
| 5. Stage | Size | 200 x 160mm (with mechanical stage) | |
| | Movement range | 78 x 54mm | |
| | Specimen holder | Double specimen | |
| 6. Condenser | Type | Abbe condenser (daylight filter detachable) | |
| | N. A. | 1.25 | |
| | Aperture iris diaphragm | Built-in | |
| 7. Dimensions & Weight | 284.0mm (L) x 227.0mm (W) x 360.6mm (H); 7 kg net | | |
| 8. Electrical | Halogen | 6V-20W | 6V-30W |
| | Charging time | Upto 2,000 hours | Upto 500 hours |
| | LED Battery | 7.4V, 1000mA | |
| | Charging time | Upto 5 hours (with totally consumed battery) | |
| | Total battery time | Upto 4 hours | |
| 9. Operating environment | <p>Indoor use Altitude: Max. 2000 meters Ambient temperature: 5° to 40°C (41° to 104° F) Maximum relative humidity: 80% for temperature up to 31°C (88°F), decreasing linearly through 70% at 34°C (93°F), to 50% relative humidity at 40°C (104°F) Supply voltage fluctuations: Not to exceed ±10% of the normal voltage. Pollution degree: 2 (in accordance with IEC60664) Installation/Overtoltage category: II (in accordance with IEC60664)</p> | | |



www.laboamerica.com

Our policy is one of continuous development. Labo America, Inc., reserves the right to change design and specifications without prior notice.

Labo America Inc.
920 Auburn Court
Fremont
CA 94538

U.S.A.
Telephone: 510 445 1257
Fax: 510 991 9862
sales@laboamerica.com



LABOMED and Lx 400 are registered trademarks of Labo America, Inc.
With a policy of continuous development, Labo America, Inc. reserves the right to change design and specifications without prior notice.
© 2009 Labo America, Inc. | 9126000-990A 02-2009

ISO 9001 : 2008
File No. A9020