

# IN-BENCH PITCHER RINSER INSTALLATION INTRUCTIONS



## Preparing Bench for Installing Main Body

- Remove rinser from packaging and measure the physical unit prior to cutting bench (see image #1)
- Cut hole in bench/counter top and place rinser into position

**Note:** Do not cut out bench top surfaces prior to receiving your rinser: Due to slight variations in manufacturing design and the varying requirements of bench materials, it is strongly recommended to have the physical vessel rinser on-hand prior to cutting into bench top surfaces. Rhino Coffee Gear does not take responsibility for errors concerning installation and provides the sizes and dimensions as a layout guide only.

## Identify all Parts:



1. 1 x SINK
2. 1 x DRAIN OUTLET
3. 1 x SPINJET SPRAY MECHANISM
4. 1 x ACTUATOR STAR
5. 1 x JOHN GUEST HOSE ADAPTER

## Connecting the Spray Valve:

1. Remove nut, metal washer and silicone seal from the spray valve
2. Insert spray valve into the top side of the rinser

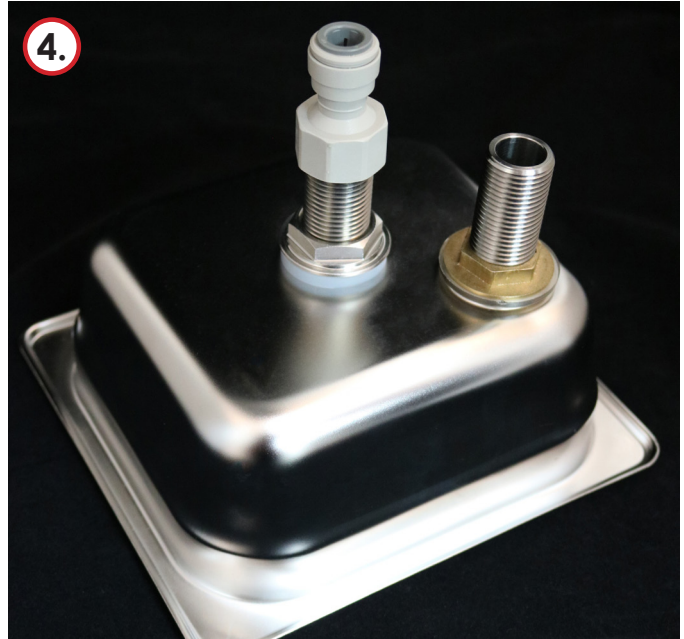


# IN-BENCH PITCHER RINSER INSTALLATION INTRUCTIONS



## Connecting the Spray Valve cont:

3. Locate the silicone seal, metal washer and fixing nut to the underside of the rinser and tighten.
4. Secure the John Guest fitting to the spray valve (use thread seal tape if necessary)



## Connecting the Spray Valve cont:

5. Remove SpinJet and metal washer from the top of the spray valve then attach locate activation star (flat side facing upwards) onto the valve.
6. Place metal washer and spinjet back onto the valve and secure.



# IN-BENCH PITCHER RINSER INSTALLATION INTRUCTIONS



Your rinser is now ready to be installed into the bench.



## Connecting Water Supply

Equipment is to be installed with adequate backflow protection to comply with applicable federal, state and local codes.

- Cold water connection only.
- Operating Pressure Range should be limited to 350 KPA or 35PSI

Once your rinser has been installed, you can connect main water line (3/8" hose) and drain.

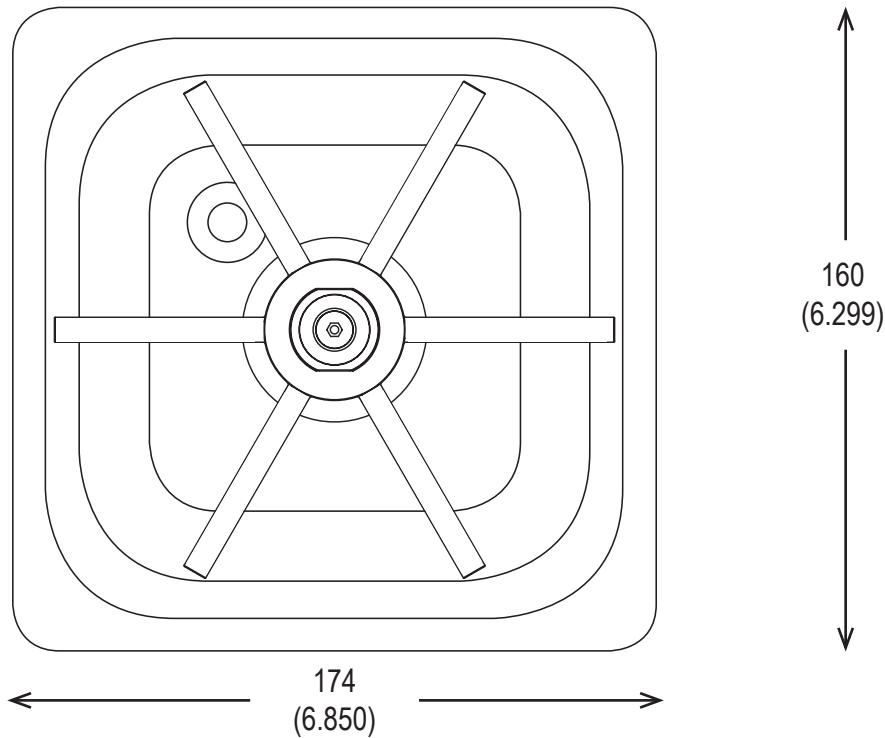
Note: drain barb/fittings are not included, braided hose/ flexy or plastic drain hose/john guest tubing can be used, this has been left to the users preference.



# IN-BENCH PITCHER RINSER INSTALLATION INTRUCTIONS



## RHPR150-S 150mm Square In Bench Pitcher Rinsers



### Standard Inclusions

- 1 x Sink
- 1 x Drain Outlet
- 1 x Spinjet Spray Mechanism
- 1 x Actuator Star
- 1 x John Guest Hose Adapter

### Product Specifications & Features

- *The Spinjet Valve sprays and spins at the same time creating a more robust mechanical cleaning action than regular rinsing valves. It is ideal for plungers using tea leaves, stubborn coffee grounds, and milk and other residues that can often be difficult to clean.*
- *Compact design is perfect for smaller bench spaces.*
- *Easy installation.*
- *Actuator Star design helps to prevent the build up of milk residue and other residues.*
- *304 Stainless Steel construction.*
- *No sharp edges; corners are rounded for safety.*
- *NSF Certified*