



Bookcases pictured in Tasmanian Oak

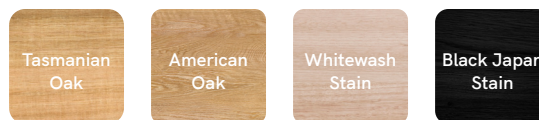
Scoop Bookcase Shell 6 Cube

Scoop Bookcase Shell is an open bookcase with open cavities to display books and treasures. The shell frame conceals intricate mitred joinery. To add more storage options, add on interchangeable felt storage boxes.

SPECIFICATIONS

Frame	Oak veneer
Boxes	Felt Storage Boxes (optional)*
Detail	Mitred corners
Finish	Clear Satin Laquer
Make	100% Australian
Warranty	10 years

TIMBER + STAIN OPTIONS



CUSTOM MAKE

Want to customise this furniture item?
Contact us for a quote sydney@lillyandlolly.com.au

FABRIC CUSHION (OPTIONAL)

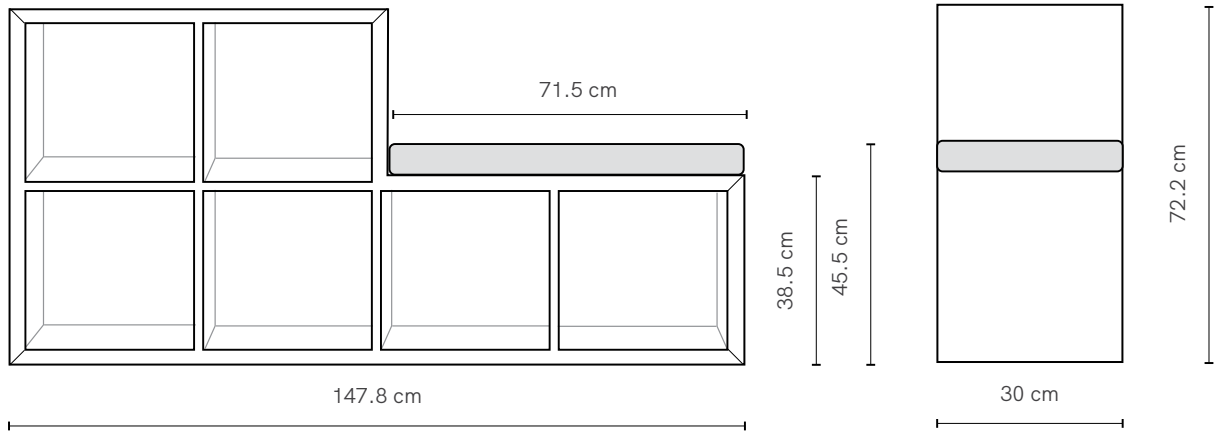
This bookcase features a perfectly positioned seat for kids to sit, read and play. Seat cushion includes piping detail. Reference our fabric library for inspiration. Alternatively, you may supply your own fabric.



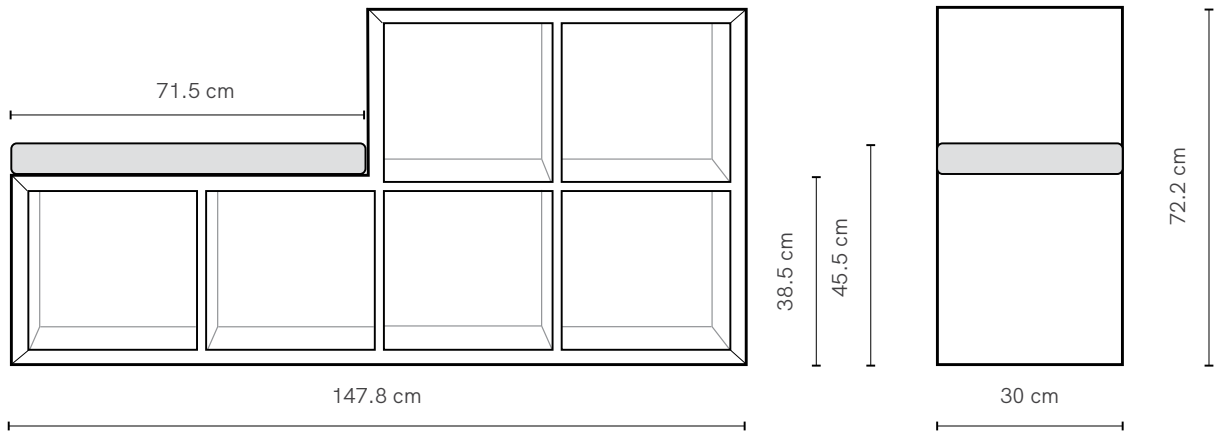
- 1. Stream
- 2. Cadet
- 3. Cobalt
- 4. Navy
- 5. Black
- 6. Charcoal
- 7. Grey
- 8. Silver
- 9. Sage
- 10. Olive
- 11. Lilac
- 12. Blush

* Bookcases sold separately to felt storage boxes

LEFT



RIGHT



CUSHION

