



Desk pictured in Tasmanian Oak

Colour Box Desk

Simple and defined, Colour Box conceals intricate mitred joinery with legs that flow into a continuous wrap. This collection is designed to be loved and change with your growing kids as they transition through all ages.

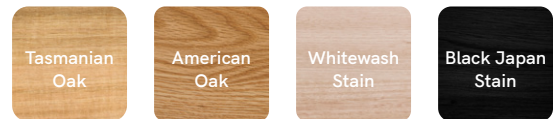
SPECIFICATIONS

Sizes	Small or large
Legs	Solid oak timber
Body	Oak veneer
Drawers	Composite timber - painted
Finish	Clear satin laquer
Add ons	Glass top (5mm toughened glass)
Make	100% Australian
Warranty	10 years

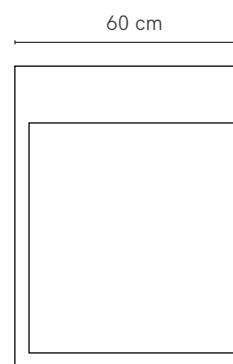
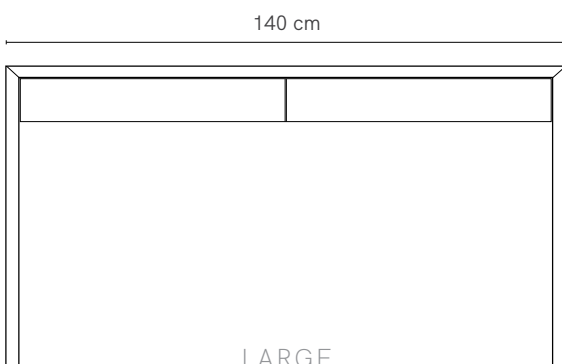
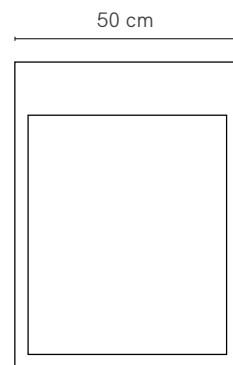
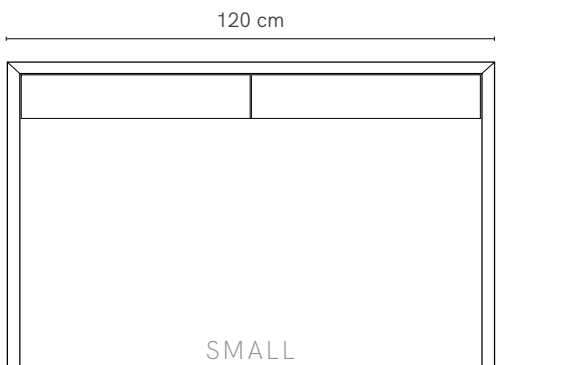
CUSTOM MAKE

Want to customise this furniture item?
Contact us for a quote sydney@lillyandlolly.com.au

TIMBER FRAME OPTIONS



COLOUR OPTIONS (DRAWERS ONLY)



1

CHOOSE YOUR FRAME
Choose from oak timber or stain options.

2

CHOOSE YOUR DRAWERS
Choose from our colour options. You can even specify your own custom colour.