



Bed pictured in Tasmanian Oak

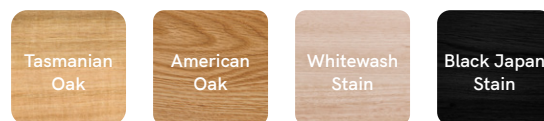
Colour Box Bed

Simple and defined, Colour Box conceals intricate mitred joinery with legs that flow into a continuous wrap. This collection is designed to be loved and change with your growing kids as they transition through all ages.

SPECIFICATIONS

Sizes	Single, King Single, Double, Queen
Frame	Solid oak
Panels	Composite timber - painted
Finish	Clear satin laquer
Detail	Shadow line on bed head and bed end on colour options ONLY
Mattress	Standard Australian sizes
Add ons	Trundle
Make	100% Australian
Warranty	10 years

TIMBER FRAME OPTIONS



COLOUR OPTIONS (PANELS ONLY)



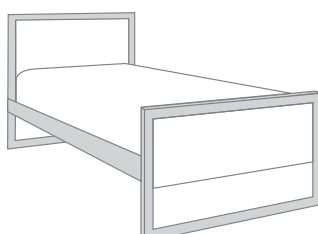
CUSTOM MAKE

Want to customise this furniture item?
Contact us for a quote sydney@lillyandlolly.com.au



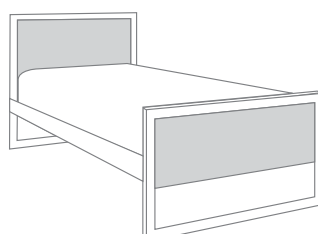
CHOOSE YOUR FRAME

Choose from oak timber or stain options



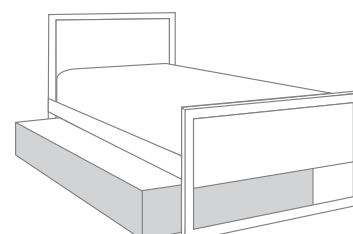
CHOOSE YOUR PANELS

Choose from our paint colour options

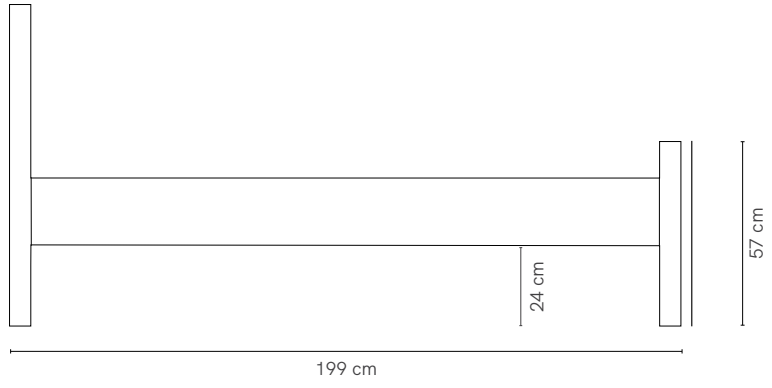
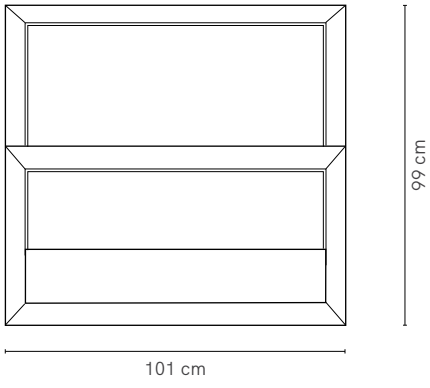


CHOOSE OPTIONAL TRUNDLE

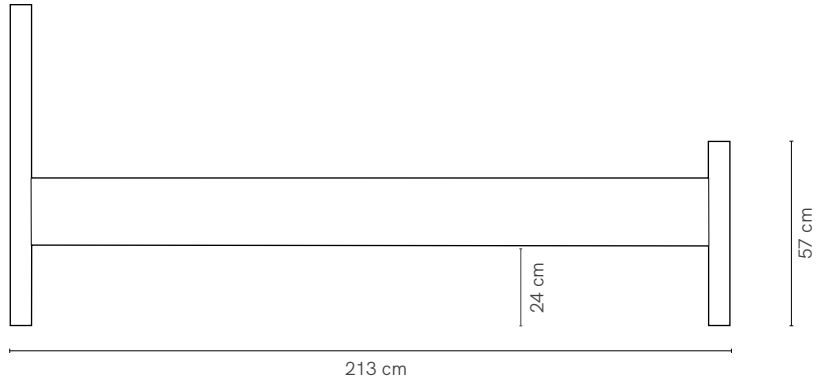
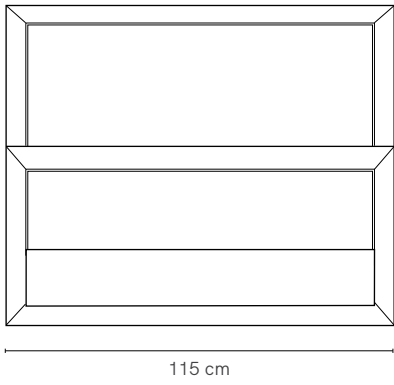
Trundle is the same finish as the frame



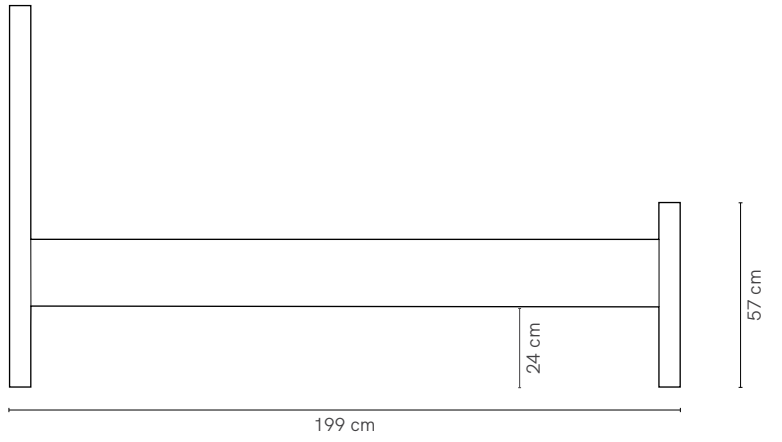
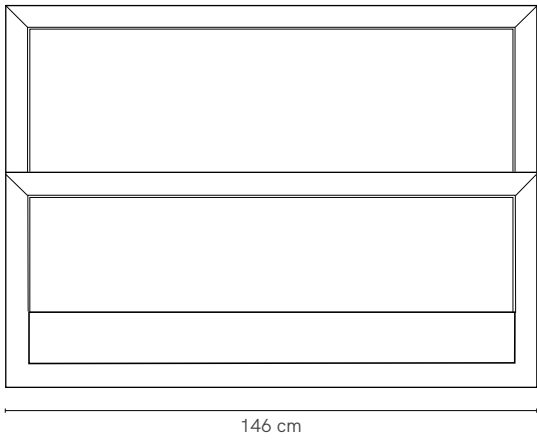
SINGLE



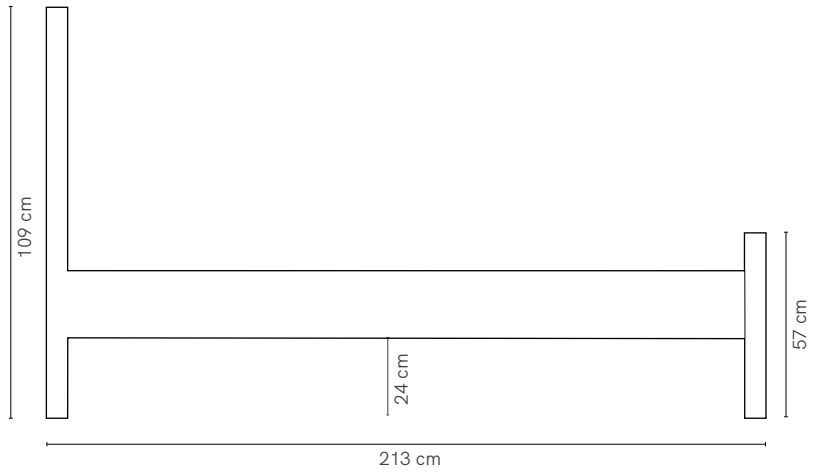
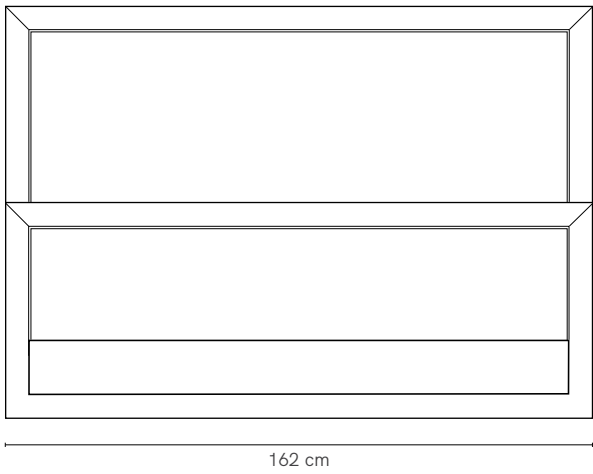
KING SINGLE



DOUBLE



QUEEN





Desk pictured in Tasmanian Oak

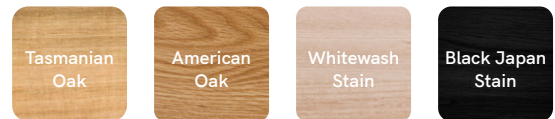
Colour Box Desk

Simple and defined, Colour Box conceals intricate mitred joinery with legs that flow into a continuous wrap. This collection is designed to be loved and change with your growing kids as they transition through all ages.

SPECIFICATIONS

- Sizes** Small or large
- Legs** Solid oak timber
- Body** Oak veneer
- Drawers** Composite timber - painted
- Finish** Clear satin laquer
- Add ons** Glass top (5mm toughened glass)
- Make** 100% Australian
- Warranty** 10 years

TIMBER FRAME OPTIONS

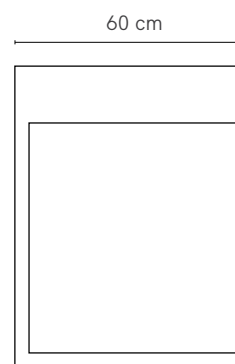
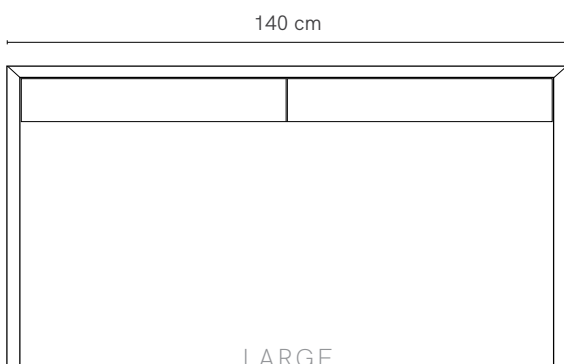
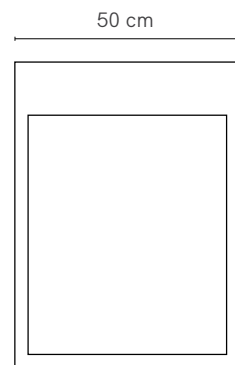
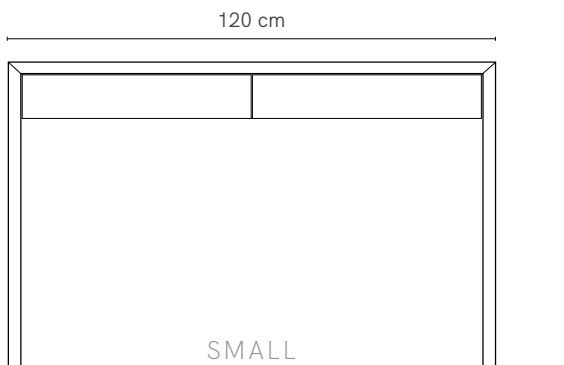


COLOUR OPTIONS (DRAWERS ONLY)



CUSTOM MAKE

Want to customise this furniture item?
Contact us for a quote sydney@lillyandlolly.com.au



1

CHOOSE YOUR FRAME

Choose from oak timber or stain options.

2

CHOOSE YOUR DRAWERS

Choose from our colour options. You can even specify your own custom colour.



Chest of Drawers pictured in Tasmanian Oak

Colour Box Chest of Drawers

Simple and defined, Colour Box conceals intricate mitred joinery with legs that flow into a continuous wrap. This collection is designed to be loved and change with your growing kids as they transition through all ages.

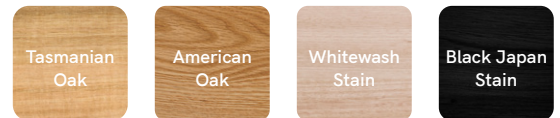
SPECIFICATIONS

Sizes	Small or large
Legs	Solid oak timber
Body	Oak veneer
Drawers	Composite timber - painted
Finish	Clear satin laquer
Make	100% Australian
Warranty	10 years
Add ons	Glass top (5mm toughened glass)

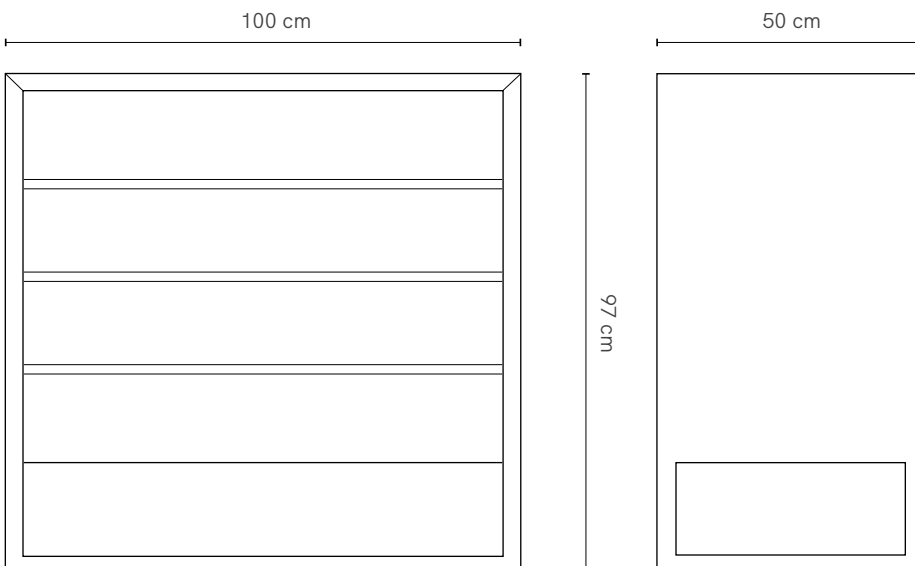
CUSTOM MAKE

Want to customise this furniture item?
Contact us for a quote sydney@lillyandlolly.com.au

TIMBER FRAME OPTIONS



COLOUR OPTIONS (DRAWERS ONLY)



1

CHOOSE YOUR FRAME TIMBER

Choose from oak timber or stain options.

2

CHOOSE YOUR DRAWERS

Choose from our colour options. You can even specify your own custom colour.



Tallboy pictured in Tasmanian Oak

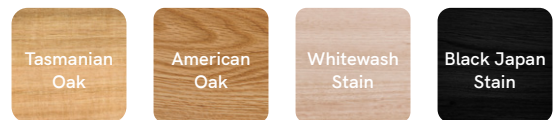
Colour Box Tallboy

Simple and defined, Colour Box conceals intricate mitred joinery with legs that flow into a continuous wrap. This collection is designed to be loved and change with your growing kids as they transition through all ages.

SPECIFICATIONS

Sizes	Small or large
Legs	Solid oak timber
Body	Oak veneer
Drawers	Composite timber - painted
Finish	Clear satin laquer
Add ons	Glass top (5mm toughened glass)
Make	100% Australian
Warranty	10 years

TIMBER FRAME OPTIONS

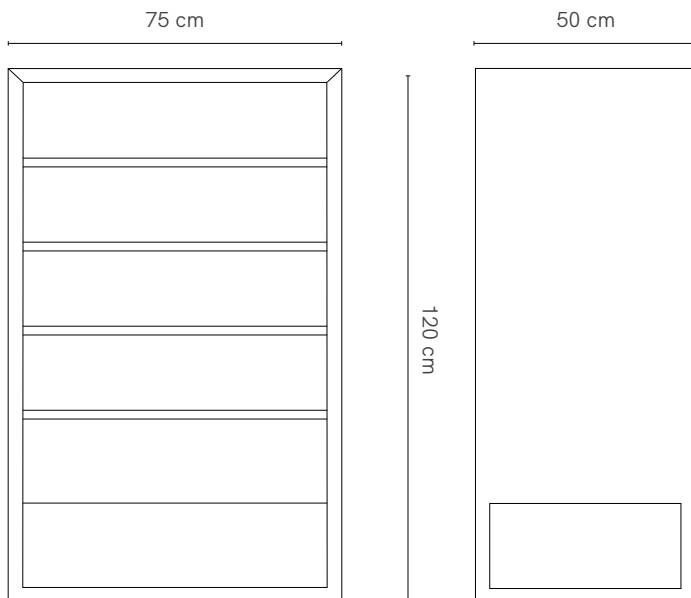


COLOUR OPTIONS (DRAWERS ONLY)



CUSTOM MAKE

Want to customise this furniture item?
Contact us for a quote sydney@lillyandlolly.com.au



1

CHOOSE YOUR FRAME TIMBER

Choose from oak timber or stain options.

2

CHOOSE YOUR DRAWERS

Choose from our colour options. You can even specify your own custom colour.



Lowboy pictured in Tasmanian Oak

Colour Box Lowboy

Simple and defined, Colour Box conceals intricate mitred joinery with legs that flow into a continuous wrap. This collection is designed to be loved and change with your growing kids as they transition through all ages.

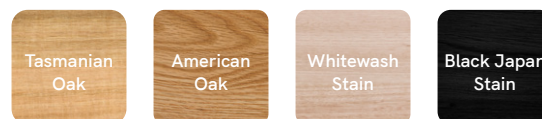
SPECIFICATIONS

Legs	Solid oak timber
Body	Oak veneer
Drawers	Composite timber - painted
Finish	Clear satin laquer
Make	100% Australian
Warranty	10 years
Add ons	Glass top (5mm toughened glass)

CUSTOM MAKE

Want to customise this furniture item?
Contact us for a quote sydney@lillyandlolly.com.au

TIMBER FRAME OPTIONS

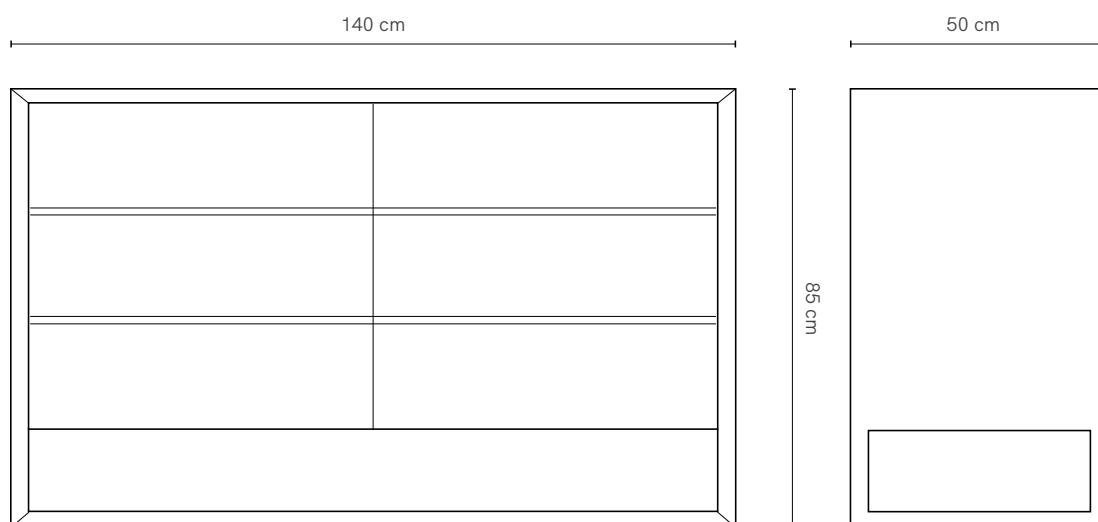


COLOUR OPTIONS (DRAWERS ONLY)



1 CHOOSE YOUR FRAME TIMBER
Choose from oak timber or stain options.

2 CHOOSE YOUR DRAWERS
Choose from our colour options. You can even specify your own custom colour.





Bedside pictured in Tasmanian Oak

Colour Box Bedside (One Drawer)

Simple and defined, Colour Box conceals intricate mitred joinery with legs that flow into a continuous wrap. This collection is designed to be loved and change with your growing kids as they transition through all ages.

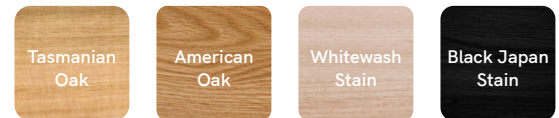
SPECIFICATIONS

Sizes	Small or large
Legs	Solid oak timber
Body	Oak veneer
Drawer	Composite timber - painted
Finish	Clear satin laquer
Add ons	Glass top (5mm toughened glass)
Make	100% Australian
Warranty	10 years

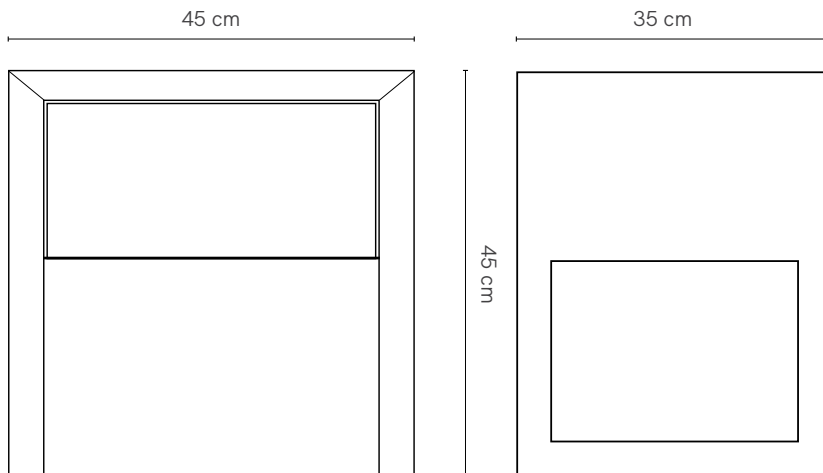
CUSTOM MAKE

Want to customise this furniture item?
Contact us for a quote sydney@lillyandlolly.com.au

TIMBER FRAME OPTIONS



COLOUR OPTIONS (DRAWER ONLY)



1

CHOOSE YOUR FRAME TIMBER

Choose from oak timber or stain options.

2

CHOOSE YOUR DRAWER

Choose from our colour options. You can even specify your own custom colour.



Bedside pictured in Tasmanian Oak

Colour Box Bedside (Two Drawer)

Simple and defined, Colour Box conceals intricate mitred joinery with legs that flow into a continuous wrap. This collection is designed to be loved and change with your growing kids as they transition through all ages.

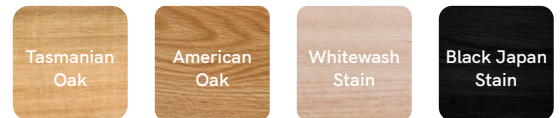
SPECIFICATIONS

Sizes	Small or large
Legs	Solid oak timber
Body	Oak veneer
Drawers	Composite timber - painted
Finish	Clear satin laquer
Add ons	Glass top (5mm toughened glass)
Make	100% Australian
Warranty	10 years

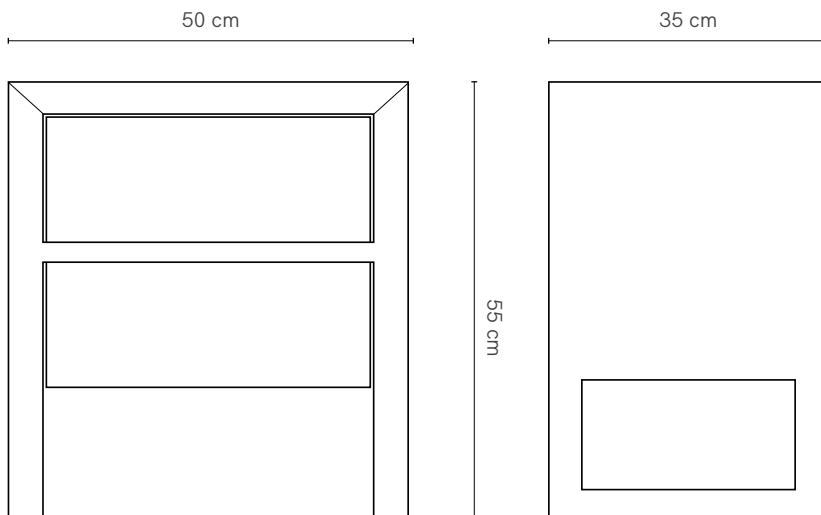
CUSTOM MAKE

Want to customise this furniture item?
Contact us for a quote sydney@lillyandlolly.com.au

TIMBER FRAME OPTIONS



COLOUR OPTIONS (DRAWERS ONLY)



1

CHOOSE YOUR FRAME TIMBER

Choose from oak timber or stain options.

2

CHOOSE YOUR DRAWERS

Choose from our colour options. You can even specify your own custom colour.



Bookcase pictured in Tasmanian Oak

Colour Box Bookcase

Simple and defined, Colour Box conceals intricate mitred joinery with legs that flow into a continuous wrap. This collection is designed to be loved and change with your growing kids as they transition through all ages.

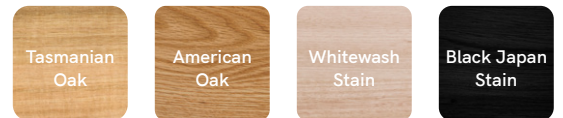
SPECIFICATIONS

Sizes	Small or large
Oak Frame	Veneer
Doors	Composite timber - painted
Finish	Clear satin laquer
Make	100% Australian
Warranty	10 years

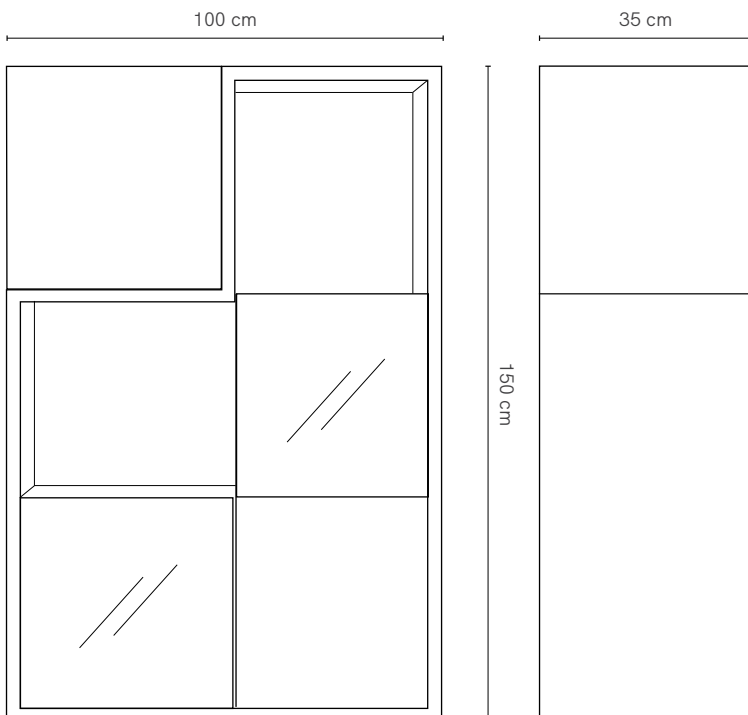
CUSTOM MAKE

Want to customise this furniture item?
Contact us for a quote sydney@lillyandlolly.com.au

TIMBER FRAME OPTIONS



COLOUR OPTIONS (DOORS ONLY)



1

CHOOSE YOUR FRAME TIMBER

Choose from oak timber or stain options.

2

CHOOSE YOUR DOORS

Choose from our colour options. You can even specify your own custom colour.



Trundle pictured in Tasmanian Oak

Colour Box Trundle

Perfect for sleepovers to glide out from under the Colour Box bed, choose trundle option to match the frame of your bed. This collection is designed to be loved and change with your growing kids as they transition through all ages.

SPECIFICATIONS

Frame	Oak veneer
Mattress	High density 4 inch (10cmD) foam mattress sold separately. Product CANNOT accommodate a standard inner spring mattress
Frame detail	Mitred corners
Finish	Clear satin laquer
Make	100% Australian
Warranty	10 years

TIMBER + STAIN OPTIONS



CUSTOM MAKE

Want to customise this furniture item?

Contact us for a quote sydney@lillyandlolly.com.au

Measurements	Length (cm)	Width (cm)	Height (cm)
Single	187	96	22.5
King Single	203	107	22.5
Double	187	142	22.5