



Bed legs pictured in Tasmanian Oak

Charlie Bed

Featuring an iconic retro style, the curved bedhead with button feature creates a sense of comfort and warmth. With endless possibilities, the Charlie bed can be created using any fabric you wish.

SPECIFICATIONS

Sizes	Single, King Single, Double, Queen
Internal frame	Hardwood and ply
Headboard + frame	High resilience foam
Legs	Hand-turned solid oak, clear laquer finish
Base	Fixed timber slats
Mattress	Standard Australian sizes
Upholstery	Choose from a comprehensive range of fabrics or supply your own
Assembly	2 pieces (fully constructed base plus bed head) OR deconstructed*
Make	100% Australian
Warranty	10 years

TIMBER LEG OPTIONS

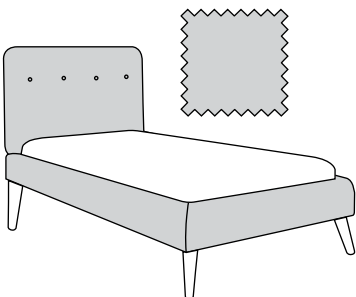


CUSTOM MAKE

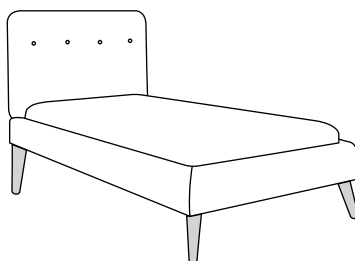
Want to customise this furniture item?
Contact us for a quote sydney@lillyandlolly.com.au

*The standard Charlie Bed comes in 2 pieces, however if you have restricted access to your home, a deconstructed option is available.

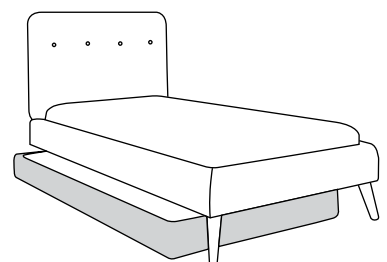
- 1. CHOOSE YOUR FABRIC**
Choose from our fabric selection or choose your own



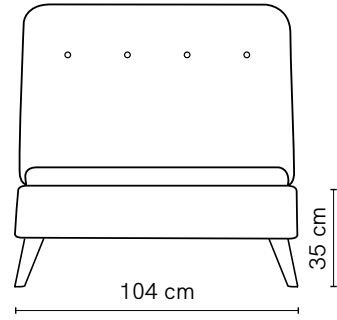
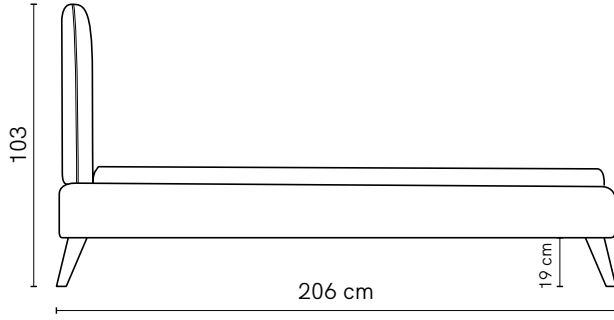
- 2. CHOOSE YOUR LEG FINISH**
Tasmanian Oak, American Oak, Whitewash or Black Japan



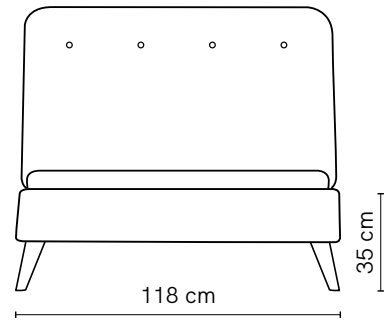
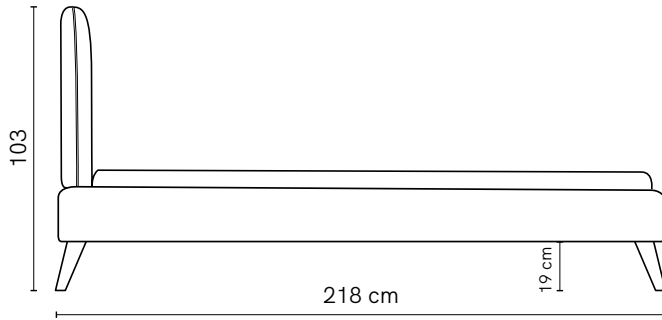
- 3. CHOOSE OPTIONAL TRUNDLE**
Refer to trundle specification sheet for further details



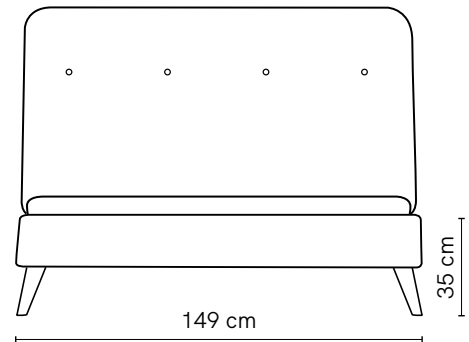
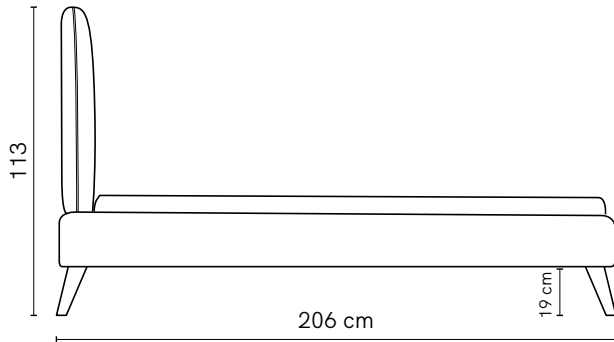
SINGLE



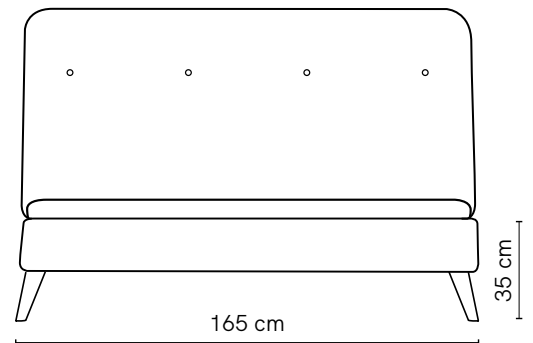
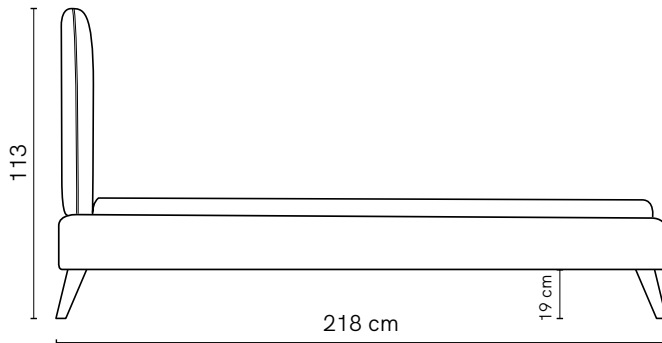
KING SINGLE



DOUBLE



QUEEN



Measurements	Length (cm)	Width (cm)	Bed head height (cm)	Bed end height (cm)
Single	206	104	103	35
King Single	222	118	103	35
Double	206	149	113	35
Queen	222	165	113	35



Desk pictured in Tasmanian Oak

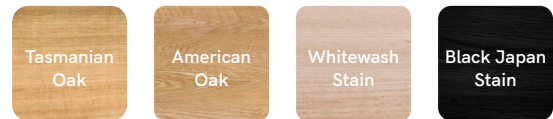
Charlie Desk

Signature hand-turned button handle and angled legs to create an iconic retro style.

SPECIFICATIONS

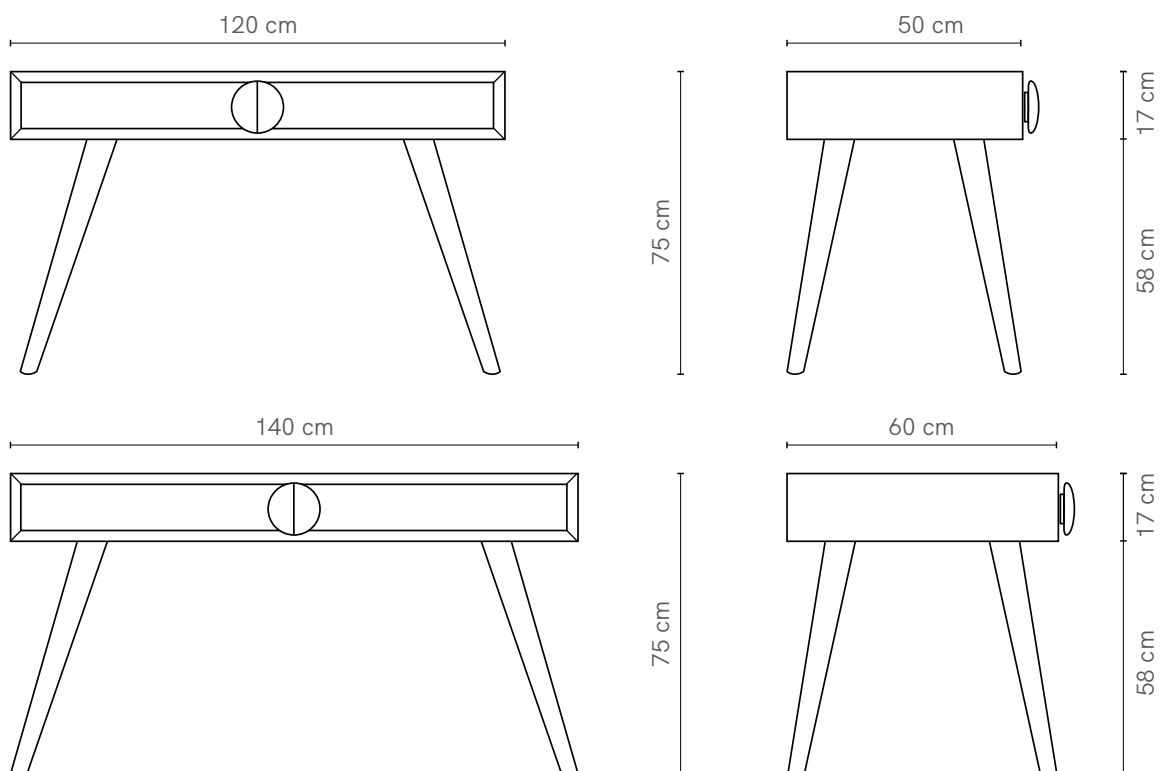
- Frame + drawers** Oak Veneer
- Handles** Hand-turned solid oak, split from one piece
- Legs** Hand-turned solid oak
- Runners** Full extension
- Detail** Mitred corners
- Finish** Clear satin laquer
- Add ons** Glass top (5mm toughened glass)
- Make** 100% Australian
- Warranty** 10 years

TIMBER OPTIONS



CUSTOM MAKE

Want to customise this furniture item?
Contact us for a quote sydney@lillyandlolly.com.au





Chest of Drawers pictured in Tasmanian Oak

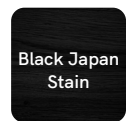
Charlie Chest of Drawers

Signature hand-turned button handles and angled legs to create an iconic retro style.

SPECIFICATIONS

Frame + drawers	Oak Veneer
Handles	Hand-turned solid oak, split from one piece
Legs	Hand-turned solid oak
Runners	Full extension
Detail	Mitred corners
Finish	Clear satin laquer
Make	100% Australia
Warranty	10 years

TIMBER OPTIONS

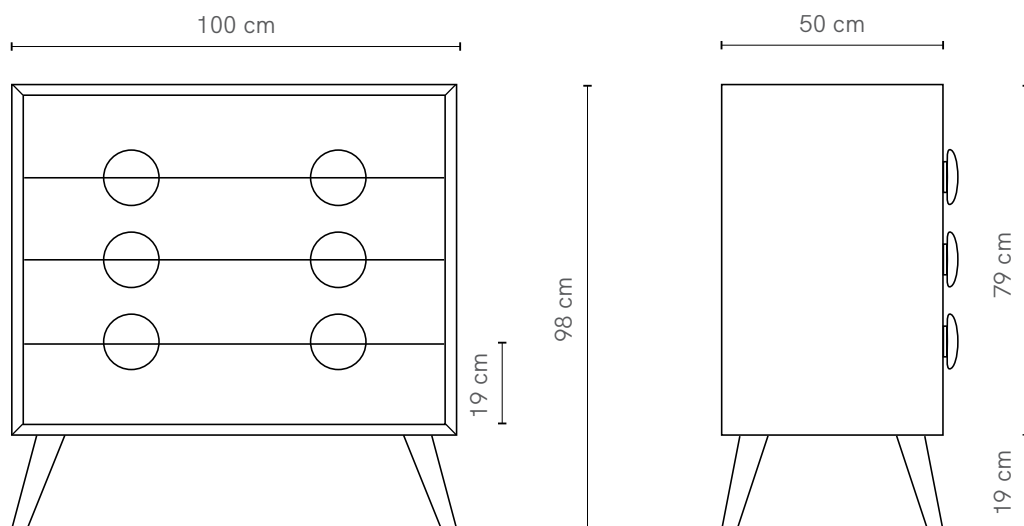


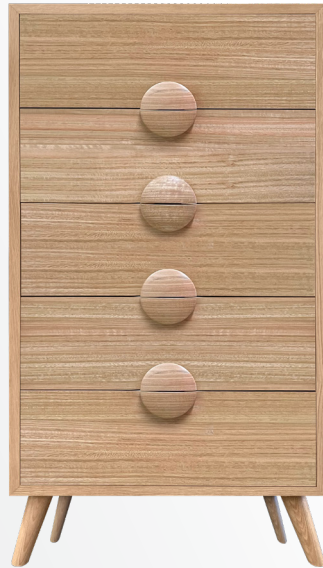
CUSTOM MAKE

Want to customise this furniture item? Contact us for a quote sydney@lillyandlolly.com.au

ADD ONS

Glass	Glass top (5mm toughened glass)
--------------	---------------------------------





Tallboy pictured in Tasmanian Oak

Charlie Tallboy

Signature hand-turned button handles and angled legs to create an iconic retro style.

SPECIFICATIONS

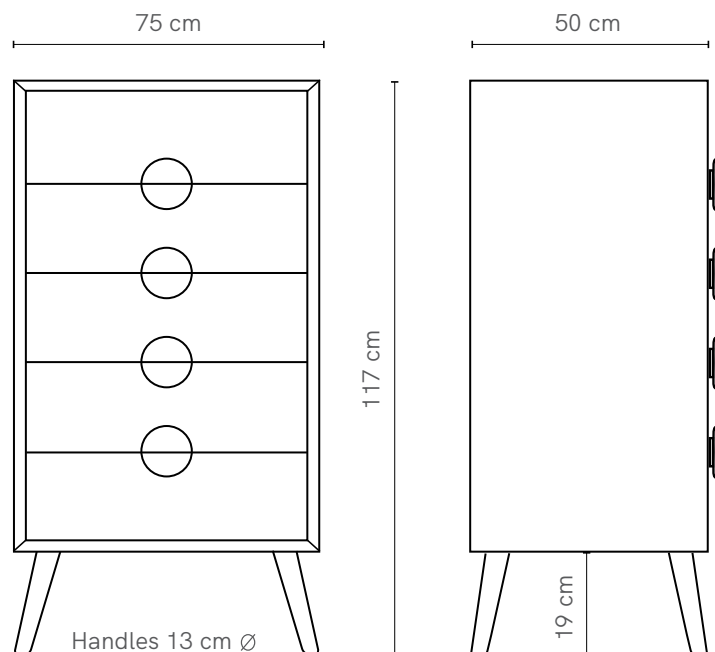
Frame + drawers	Oak Veneer
Handles	Hand-turned solid oak, split from one piece
Legs	Hand-turned solid oak
Runners	Full extension
Detail	Mitred corners
Finish	Clear satin laquer
Add ons	Glass top (5mm toughened glass)
Make	100% Australian
Warranty	10 years

TIMBER OPTIONS



CUSTOM MAKE

Want to customise this furniture item?
Contact us for a quote sydney@lillyandlolly.com.au





Bedside pictured in Tasmanian Oak

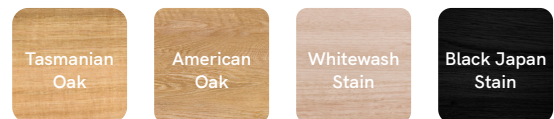
Charlie Bedside

Signature hand-turned button handle and angled legs to create an iconic retro style.

SPECIFICATIONS

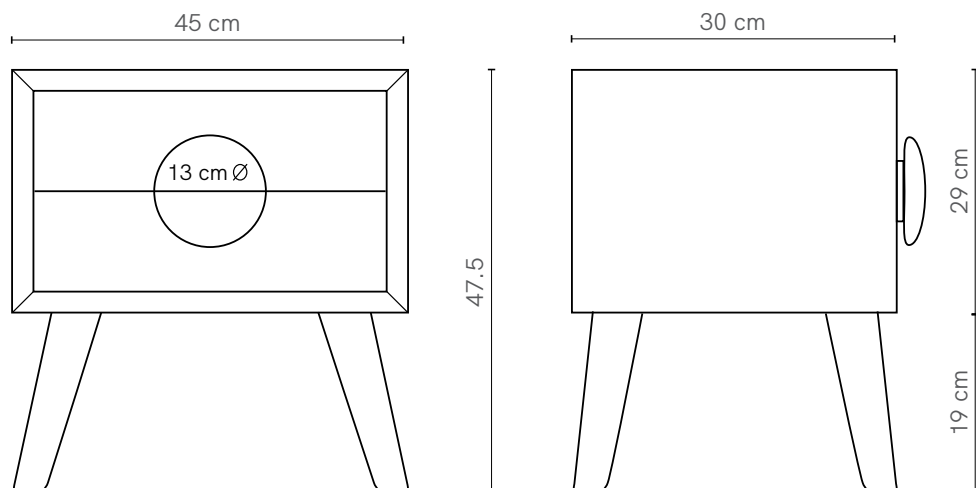
Frame + drawers	Oak Veneer
Handles	Hand-turned solid oak, split from one piece
Legs	Hand-turned solid oak
Runners	Full extension
Detail	Mitred corners
Finish	Clear satin laquer
Add ons	Glass top (5mm toughened glass)
Make	100% Australian
Warranty	10 years

TIMBER OPTIONS



CUSTOM MAKE

Want to customise this furniture item?
Contact us for a quote sydney@lillyandlolly.com.au





Charlie Trundle

Perfect for sleepovers to glide out from under the Charlie bed, choose the trundle option to match the fabric of your bed.

SPECIFICATIONS

Internal frame	Hardwood and ply
Outer frame	High resilience foam
Castors	Easy glide castors
Base	Fixed timber slats
Mattress	High density foam (custom sizes)
Construction	No assembly required
Make	100% Australian
Warranty	10 years

Measurements	Length (cm)	Width (cm)	Height (cm)
Single	184	100	14
King Single	222	118	14
Double	206	149	14