



Bed legs pictured in Tasmanian Oak

Charlie Bed

Featuring an iconic retro style, the curved bedhead with button feature creates a sense of comfort and warmth. With endless possibilities, the Charlie bed can be created using any fabric you wish.

SPECIFICATIONS

Sizes	Single, King Single, Double, Queen
Internal frame	Hardwood and ply
Headboard + frame	High resilience foam
Legs	Hand-turned solid oak, clear laquer finish
Base	Fixed timber slats
Mattress	Standard Australian sizes
Upholstery	Choose from a comprehensive range of fabrics or supply your own
Assembly	2 pieces (fully constructed base plus bed head) OR deconstructed*
Make	100% Australian
Warranty	10 years

TIMBER LEG OPTIONS

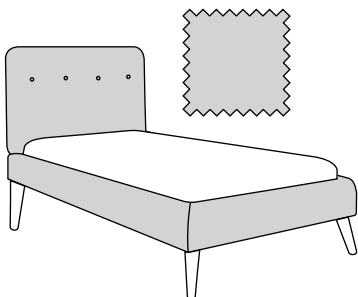


CUSTOM MAKE

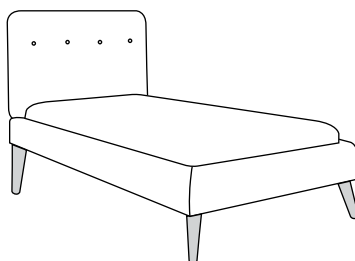
Want to customise this furniture item?
Contact us for a quote sydney@lillyandlolly.com.au

*The standard Charlie Bed comes in 2 pieces, however if you have restricted access to your home, a deconstructed option is available.

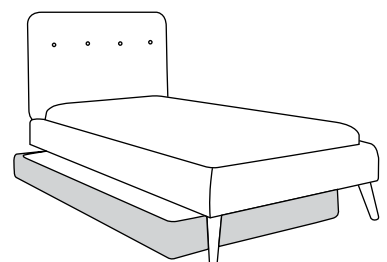
- 1. CHOOSE YOUR FABRIC**
Choose from our fabric selection or choose your own



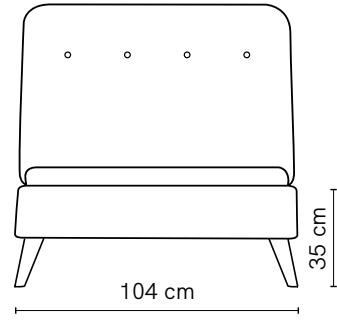
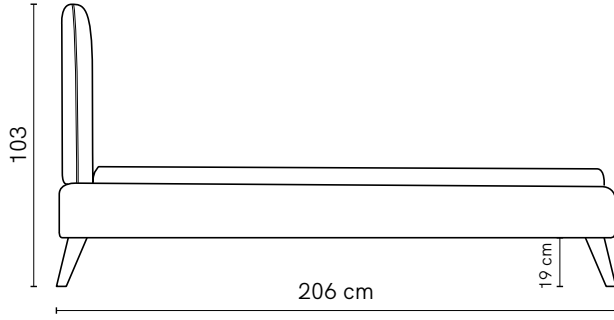
- 2. CHOOSE YOUR LEG FINISH**
Tasmanian Oak, American Oak, Whitewash or Black Japan



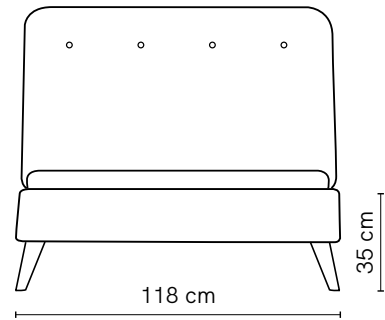
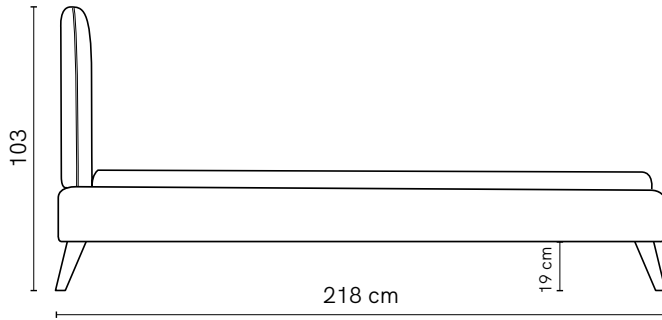
- 3. CHOOSE OPTIONAL TRUNDLE**
Refer to trundle specification sheet for further details



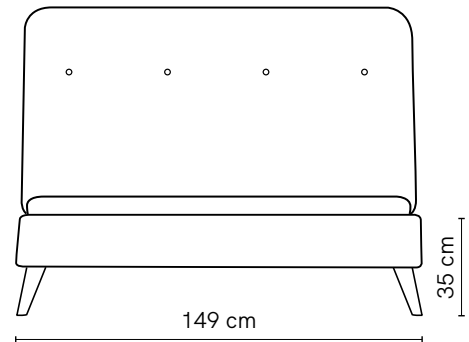
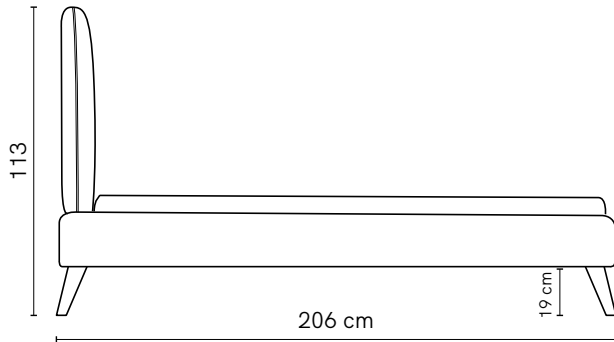
SINGLE



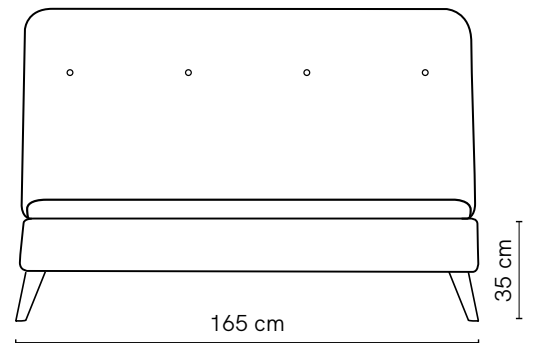
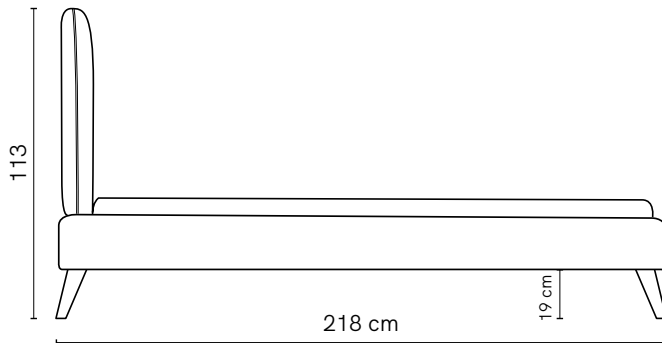
KING SINGLE



DOUBLE



QUEEN



Measurements	Length (cm)	Width (cm)	Bed head height (cm)	Bed end height (cm)
Single	206	104	103	35
King Single	222	118	103	35
Double	206	149	113	35
Queen	222	165	113	35