



## Scout Upholstered Bed

*Classic and refined, the Scout Upholstered Bed is the perfect combination of form and function. With an angled bedhead for kids to lean into, it is the perfect bed for kids to relax and get comfy in whilst reading. With endless possibilities of fabric choices, three bedhead finishes plus leg colour options, this bed is sure to work in any child's bedroom.*

### SPECIFICATIONS

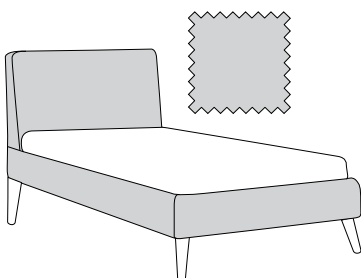
<b>Size</b>	Single, King Single, Double, Queen
<b>Internal frame</b>	Hardwood and ply
<b>Headboard + frame</b>	High resilience foam
<b>Legs</b>	Hand-turned solid timber
<b>Base</b>	Fixed timber slats
<b>Mattress</b>	Standard Australian sizes
<b>Upholstery</b>	Choose from a comprehensive range of fabrics or supply your own
<b>Assembly</b>	2 pieces (fully constructed base plus bed head) OR deconstructed*
<b>Add ons</b>	Trundle
<b>Make</b>	100% Australian
<b>Warranty</b>	10 years

### CUSTOM MAKE

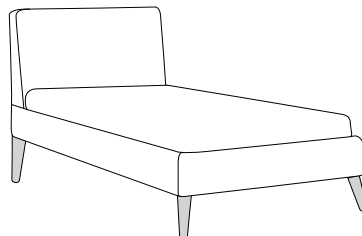
Want to customise this furniture item?  
Contact us for a quote [sydney@lillyandlolly.com.au](mailto:sydney@lillyandlolly.com.au)

*\*The standard Scout Upholstered Bed comes in 2 pieces, however if you have restricted access to your home, a deconstructed option is available.*

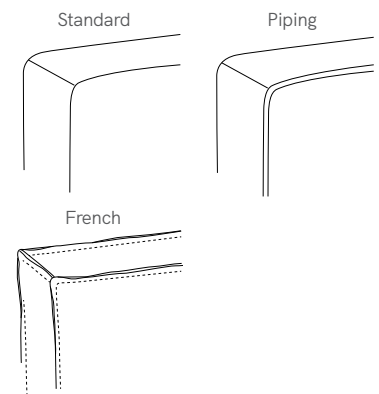
- 1. CHOOSE YOUR FABRIC**  
Choose from our fabric selection or choose your own

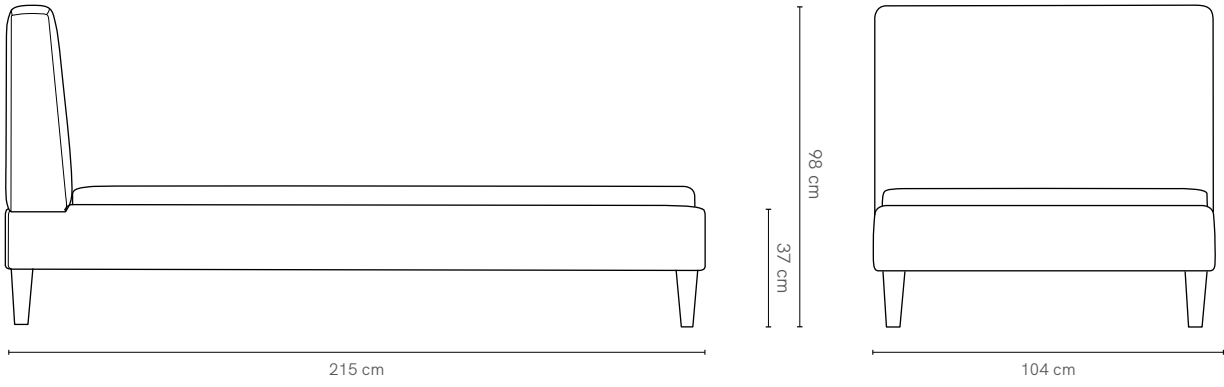


- 2. CHOOSE YOUR LEGS**  
Oak or Whitewash finish

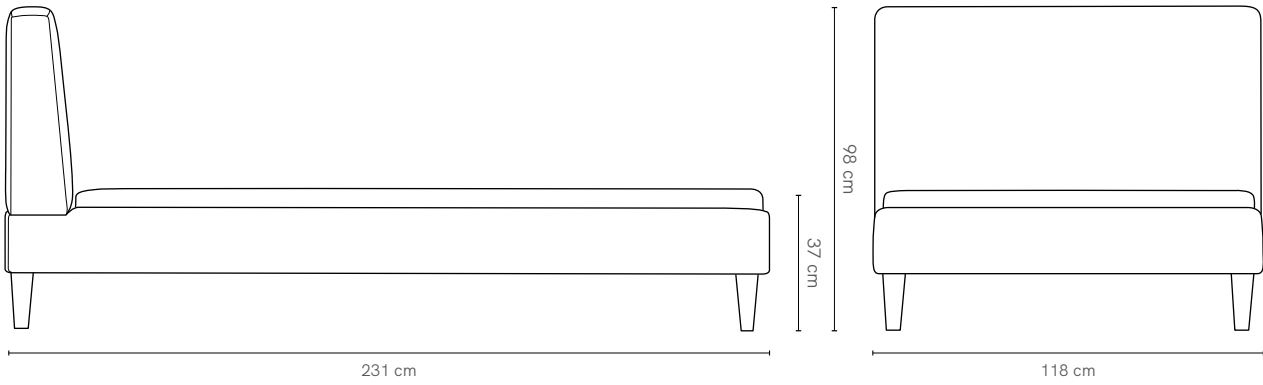


- 3. CHOOSE BED HEAD STITCH/FINISH**

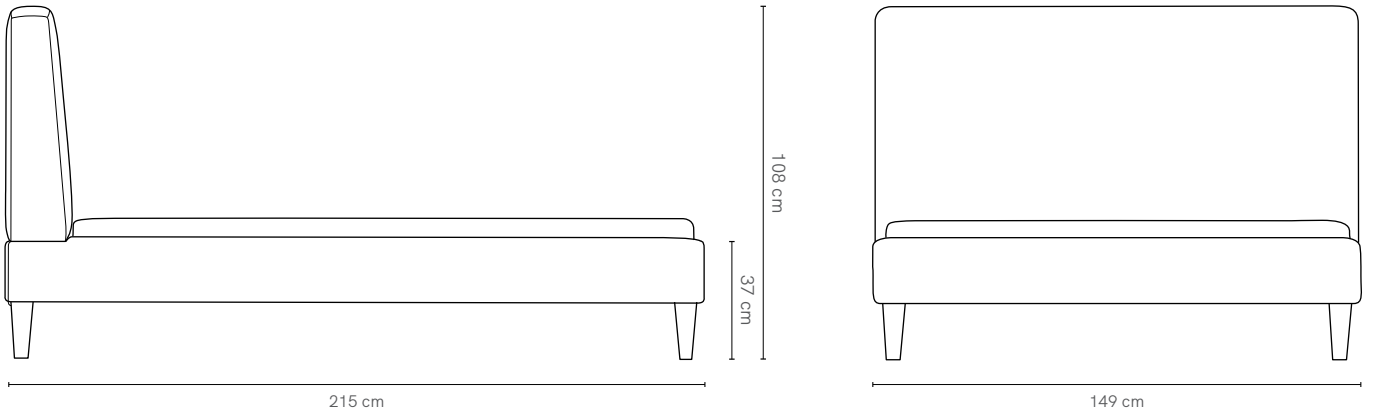




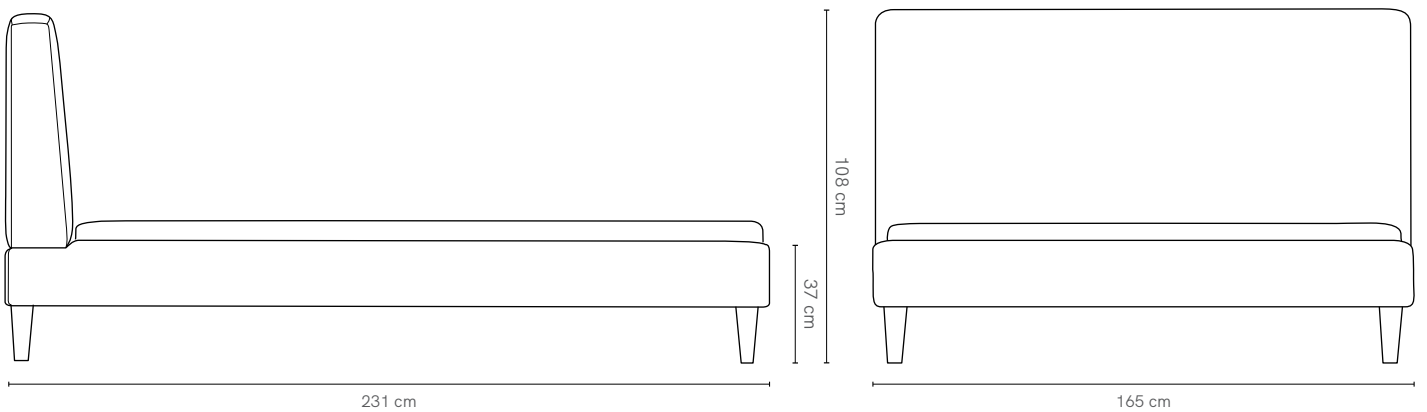
SINGLE



KING SINGLE



DOUBLE



QUEEN