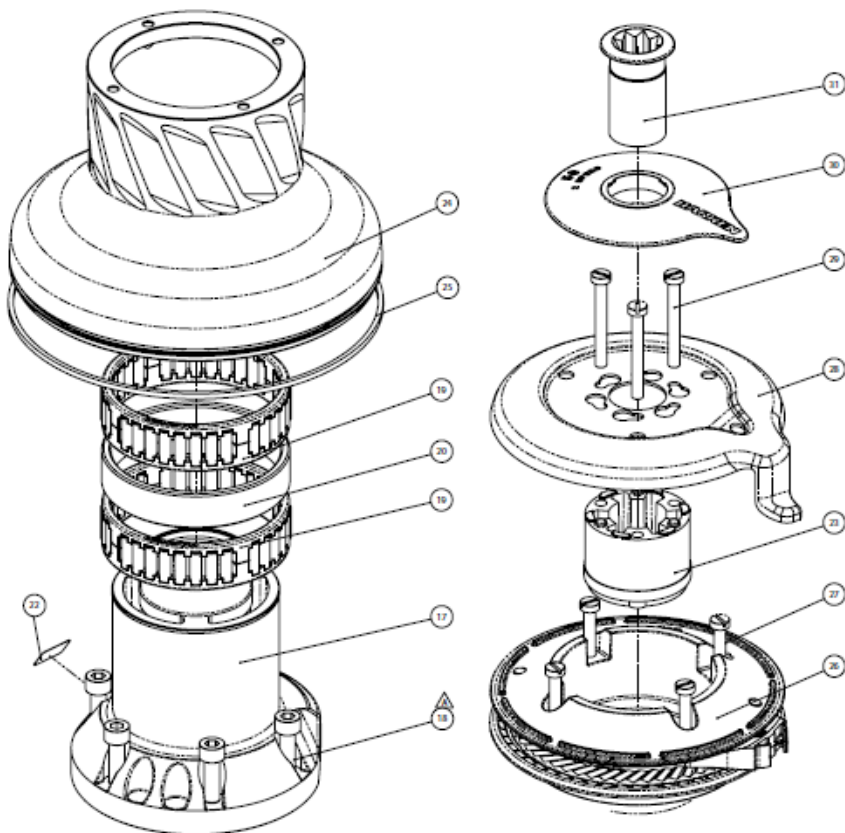
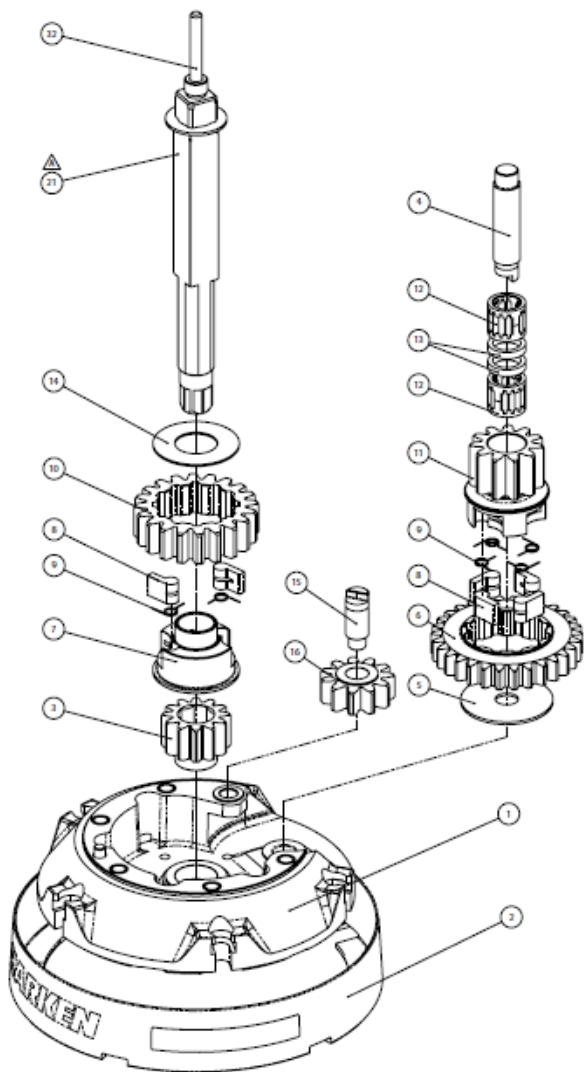


Exploded view





Parts List

Radial Winch 50.2 STA

A= drum in anodised aluminium

Pos.	Q.ty	Code	Description	Pos.	Q.ty	Code	Description
1	1	A 941898 00	Assy Base W50 EL/HY Base W50 Hel-coil M8x10 Roller Ø8x19 Bushing Ø22xØ25xØ2.5* Bushing Ø9xØ11xØ1* Bushing Ø12xØ14x1*	18	5	M0606303	Screw M8x25 UNI 5931
2	1	A 941349 00	Assy Skirt W50 Skirt W50 Winch Product Sticker**	19	2	A 741351 00	Bearing Ø85xØ97x25*
3	1	S 41302 00 04	Gear Z12	20	1	S 41352 00 80	Spacer*
4	1	S 41605 00 04	Pin	21	1	A 967531 00	Assy Central Shaft Winch 50 Central Shaft Prot. W50 Washer Ø 17.2xØ32x1.5
5	1	S278170002	Washer 12.5x48x1.5*	22	1	S 41876 00 63	Winch Serial Number Sticker
6	1	S 41280 00 41	Gear Z30	23	1	S 41294 00 A0	Stripper arm support
7	1	S 41426 00 04	Pawls Carrier Ø6xØ2	24	1	S413400053	Drum A W50
8	6	S 00008 00 03	Pawl Ø8	25	1	S 28169 00 97	Red line*
9	6	S 00038 00 01	Pawl Spring Ø8	26	1	A 941343 00	Assy Jaws Winch 50 Lower Jaw W50 Upper Jaw W50 Reeler W50 Spring
10	1	S 41559 00 41	Gear Z20	27	4	M0601803	Screw UNI EN ISO 1207:1996 - M6x35 - A4*
11	1	S 41561 00 04	Pinion Z11	28	1	S 41344 00 19	Stripper Arm W50
12	2	A72821800	Roller Bearing 14/20/18	29	3	M6007103	Screw M6x50 UNI6107*
13	2	S281340080	Spacer roller bearings*	30	1	S 41345 00 A5	Cover 2 speed W50
14	1	S 41312 00 02	Washer Ø22.5xØ45x1*	31	1	A 941493 00	Assy Socket W50 EL/HY Socket Handle W50 EL/HY Washer Ø 25xØ15xØ Nut Screw for Disconnect Rod O-ring RC 2025series*
15	1	S 41307 00 04	Pin Ø9-Ø12x32.5	32	1	S 41507 00 02	Disconnect Rod W50
16	1	A 941560 00	Assy Gear Z11 Gear Z11 Bushing Ø12xØ14xØ8*				
17	1	A 941348 00	Assy Housing W50 Housing W50 Bushing Ø12xØ14xØ8 Bushing Ø12xØ14x1 Hel-coil M8x9 Bushing for support				

*Service kit available; see winch kit section on the website www.harken.com

**Winch product sticker



Radial Winch 50.2 STC

C=drum in chromed bronze

Pos.	Q.ty	Code	Description	Pos.	Q.ty	Code	Description
1	1	A 041808 00	Assy Base W50 EL/HY Base W50 Hel-coil M8x10 Roller Ø6x19 Bushing Ø22xØ25xØ 5* Bushing Ø9xØ11xØ 1* Bushing Ø12xØ14x11*	18	5	M0606303	Screw M8x25 UNI 5031
2	1	A 041349 00	Assy Skirt W50 Skirt W50 Winch Product Sticker**	19	2	A 741351 00	Bearing Ø85xØ97x26*
3	1	S 41302 00 04	Gear Z12	20	1	S 41352 00 80	Spacer*
4	1	S 41605 00 04	Pin	21	1	A 967531 00	Assy Central Shaft Winch 50 Central Shaft Part. W50 Washer Ø 17.2xØ32x1.5
5	1	S 278170002	Washer 12.5x48x1.5*	22	1	S 41876 00 63	Winch Serial Number Sticker
6	1	S 41280 00 41	Gear Z30	23	1	S 41294 00 A0	Stripper arm support
7	1	S 41426 00 04	Pawls Carrier Ø6xØ2	24	1	S 413410043	Drum C W50
8	6	S 00008 00 03	Pawl Ø8	25	1	S 28169 00 97	Red Line*
9	6	S 00038 00 01	Pawl Spring Ø8	26	1	A 941343 00	Assy Jaws Winch 50 Lower Jaw W50 Upper Jaw W50 Peeler W50 Spring
10	1	S 41559 00 41	Gear Z20	27	4	M0501803	Screw UNI EN ISO 1207:1996 - M6x35 - A4*
11	1	S 41561 00 04	Pinion Z11	28	1	S 41344 00 19	Stripper Arm W50
12	2	A 72821800	Roller Bearing 14/20/18	29	3	M6007103	Screw M6x50 UN6107*
13	2	S 281340080	Spacer roller bearings*	30	1	S 41345 00 A5	Cover 2 speed W50
14	1	S 41312 00 02	Washer Ø22.5xØ45x1*	31	1	A 941493 00	Assy Socket W50 EL/HY Socket Handle W50 EL/HY Washer Ø 25xØ 15.4# Nut Screw for Disconnect Rod O-ring RC 2025series*
15	1	S 41307 00 04	Pin Ø9-Ø12x32.5	32	1	S 41507 00 02	Disconnect Rod W50
16	1	A 041560 00	Assy Gear Z11 Gear Z11 Bushing Ø12xØ14xØ 8*				
17	1	A 041348 00	Assy Housing W50 Housing W50 Bushing Ø12xØ14xØ 8 Bushing Ø12xØ14x11 Hel-coil M8x9 Bushing for support				

*Service kit available; see winch kit section on the website www.harken.com

**Winch product sticker



Radial Winch 50.2 STCW

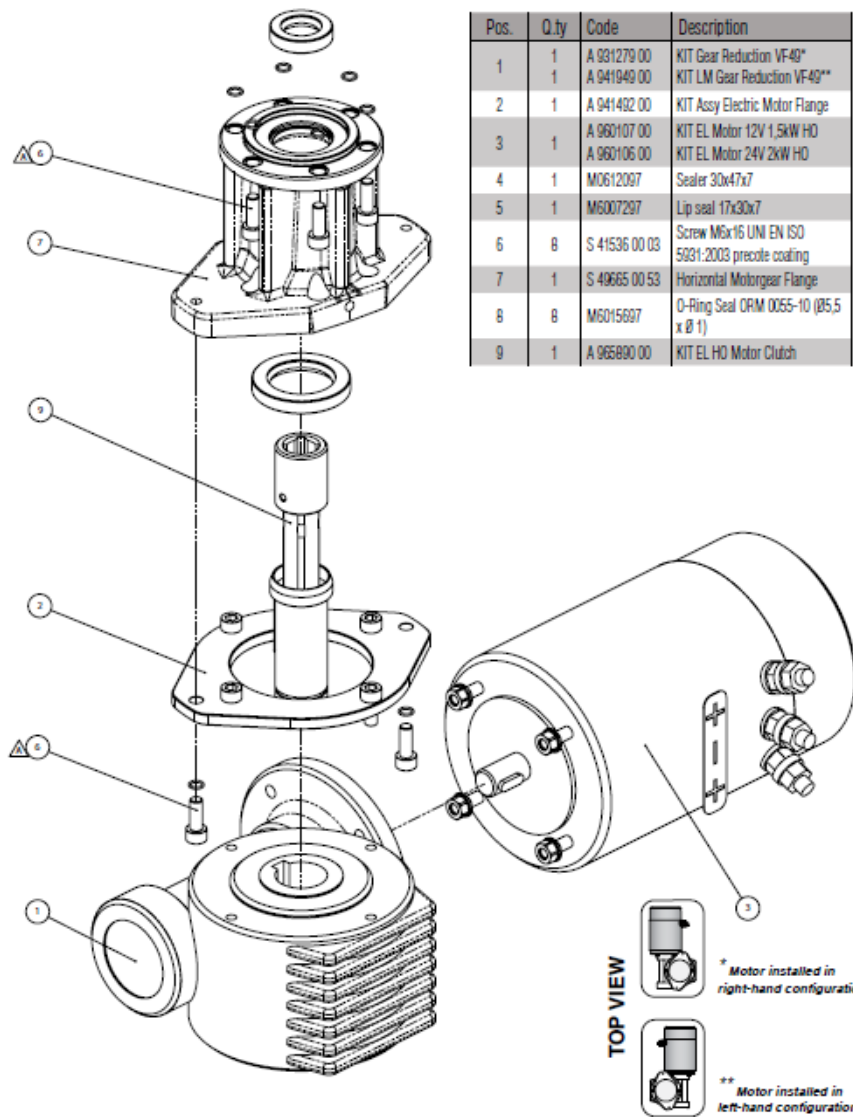
C=drum in chromed bronze W=components RAL 9003

Pos.	Q.ty	Code	Description	Pos.	Q.ty	Code	Description
1	1	A 941898 00	Assy Base W50 EL/HY Base W50 Hel-coil M8x10 Roller Ø8x19 Bushing Ø22xØ27xØ8.5* Bushing Ø9xØ11x1* Bushing Ø12xØ14x1.1*	18	5	M0606303	Screw M8x25 UNI 5031
2	1	A 941349 00 W	Assy Skirt W50 RAL 9003 Skirt W50 RAL 9003 Winch Product Sticker**	19	2	A 741351 00	Bearing Ø85xØ97x26*
3	1	S 41302 00 04	Gear Z12	20	1	S 41352 00 80	Spacer*
4	1	S 41605 00 04	Pin	21	1	A 967531 00	Assy Central Shaft Winch 50 Central Shaft Pr. at. W50 Washer Ø 17.2xØ32x1.5
5	1	S278170002	Washer 12.5x48x1.5*	22	1	S 41876 00 63	Winch Serial Number Sticker
6	1	S 41280 00 41	Gear Z30	23	1	S 41294 00 A0	Stripper arm support
7	1	S 41425 00 04	Pawls Carrier Ø6x12	24	1	S413410043	Drum C W50
8	6	S 00008 00 03	Pawl Ø8	25	1	S 28169 00 97	Red line*
9	6	S 00038 00 01	Pawl Spring Ø8	26	1	A 941343 00 W	Assy Jaws Winch 50 RAL 9003 Lower Jaw W50 RAL 9003 Upper Jaw W50 RAL 9003 Peeler W50 RAL 9003 Spring
10	1	S 41559 00 41	Gear Z20	27	4	M0501803	Screw UNI EN ISO 1207:1996 - M6x35 - A4*
11	1	S 41561 00 04	Pinion Z11	28	1	S 41344 00 19	Stripper Arm W50
12	2	A72821800	Roller Bearing 14/20/18	29	3	M6007103	Screw M6x50 UN16107*
13	2	S281340080	Spacer roller bearings*	30	1	S 41345 00 A5 W	Cover 2 speed W50 RAL 9003
14	1	S 41312 00 02	Washer Ø22.5xØ45x1*	31	1	A 941493 00	Assy Socket W50 EL/HY Socket Handle W50 EL/HY Washer Ø 25xØ 15.5# Nut Screw for Disconnect Rod Or Rig RC 2025 series*
15	1	S 41307 00 04	Pin Ø9-Ø12x32.5	32	1	S 41507 00 02	Disconnect Rod W50
16	1	A 941560 00	Assy Gear Z11 Gear Z11 Bushing Ø12xØ14x1*				
17	1	A 941348 00	Assy Housing W50 Housing W50 Bushing Ø12xØ14x1 Bushing Ø12xØ14x1.1 Hel-coil M8x9 Bushing for support				

*Service kit available; see winch kit section on the website www.harken.com

**Winch product sticker



Horizontal electric motor 12V / 24V


Pos.	Q.ty	Code	Description
1	1	A 931279 00	KIT Gear Reduction VF49*
	1	A 941949 00	KIT LM Gear Reduction VF49**
2	1	A 941492 00	KIT Assy Electric Motor Flange
		A 960107 00	KIT EL Motor 12V 1,5kW HD
		A 960106 00	KIT EL Motor 24V 2kW HD
3	1	A 960107 00	KIT EL Motor 12V 1,5kW HD
		A 960106 00	KIT EL Motor 24V 2kW HD
4	1	M0612097	Sealer 30x47x7
5	1	M6007297	Lip seal 17x30x7
6	8	S 41536 00 03	Screw M6x16 UNI EN ISO 5931:2003 precoat coating
7	1	S 49665 00 53	Horizontal Motorgear Flange
8	8	M6015697	O-Ring Seal ORM 0055-10 (Ø5,5 x Ø 1)
9	1	A 965890 00	KIT EL HD Motor Clutch

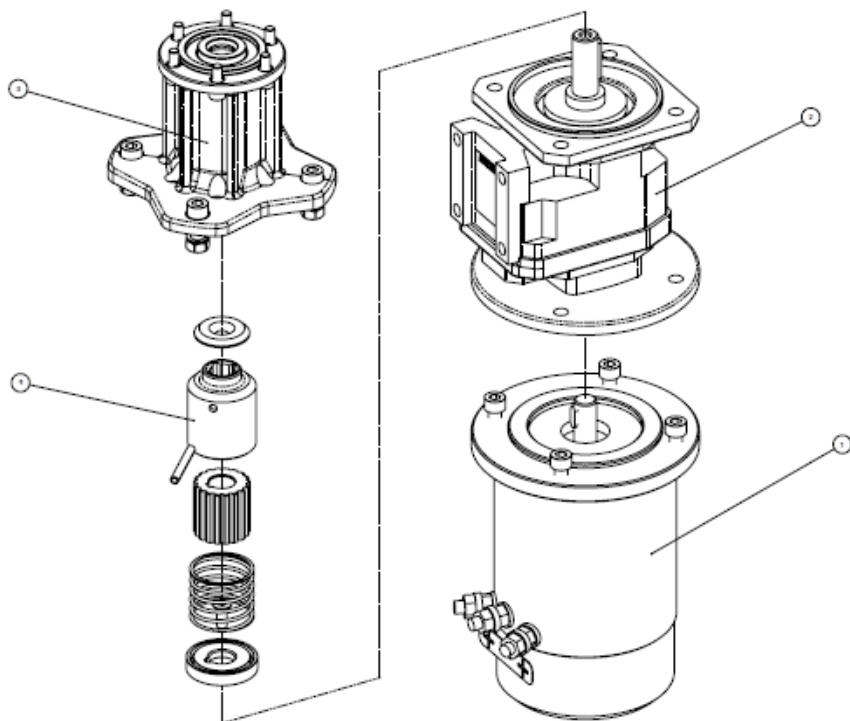
TOP VIEW


* Motor installed in right-hand configuration.



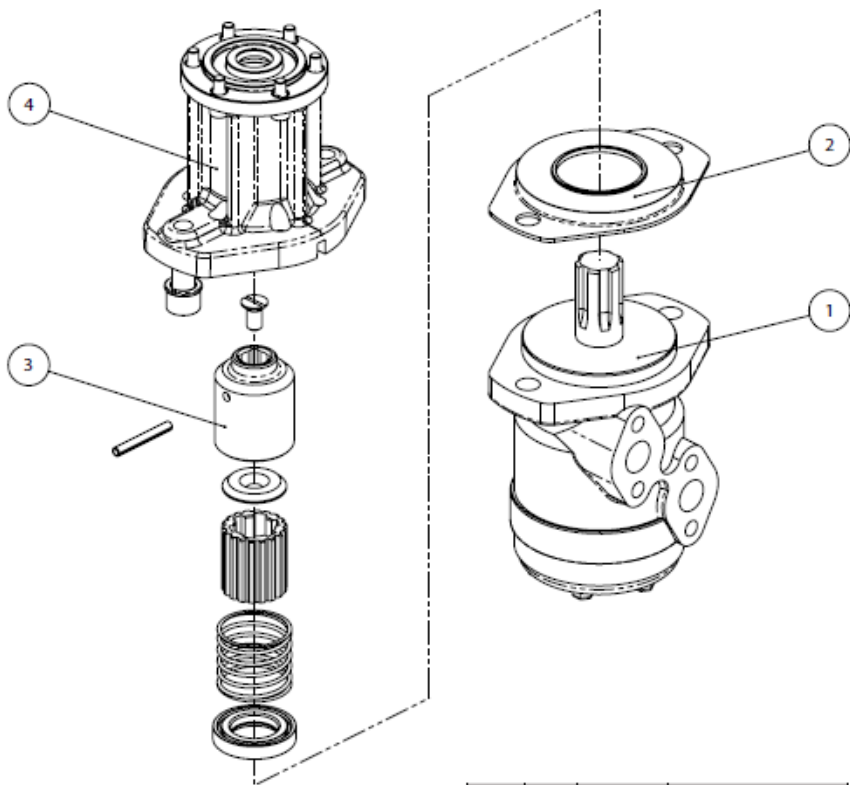
** Motor installed in left-hand configuration.

Vertical electric motor 12V / 24V



Pos.	Q.ty	Code	Description
1	1	A 960105 00	KIT EL Motor 12V 1,5kW VT
	1	A 960104 00	KIT EL Motor 24V 2kW VT
2	1	A 965629 00	Vertical reduction gear box STM AMF1 35
3	1	A 941505 00	KIT EL VT Motor Flange
4	1	A 941937 00	KIT EL VT Motor Clutch

Hydraulic motor



Pos.	Q.ty	Code	Description
1	1	G45042000Y	Hydraulic motor "OMR50 151-0420 alb scan_1"
2	1	S 41500 00 80	Hydraulic Motor Spacer
3	1	A 941932 00	KIT Clutch HY Motor (OMR50)
4	1	A 941491 00	KIT HY Motor Flange (OMR50)