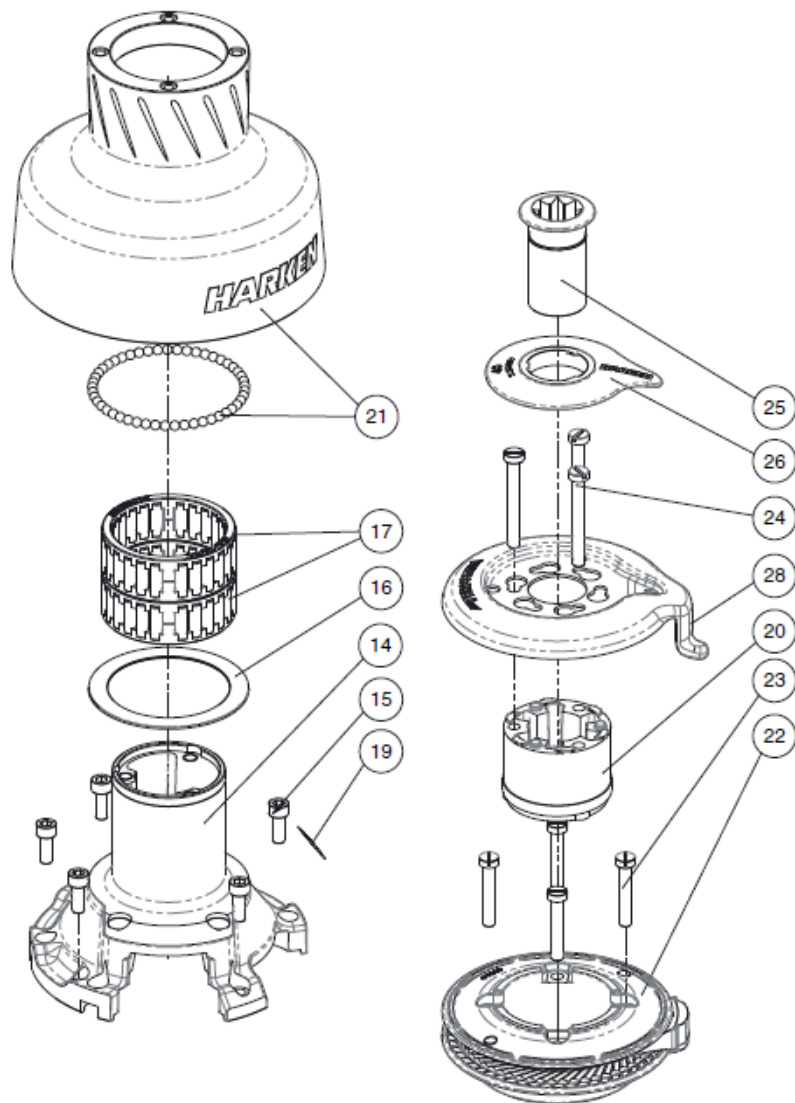
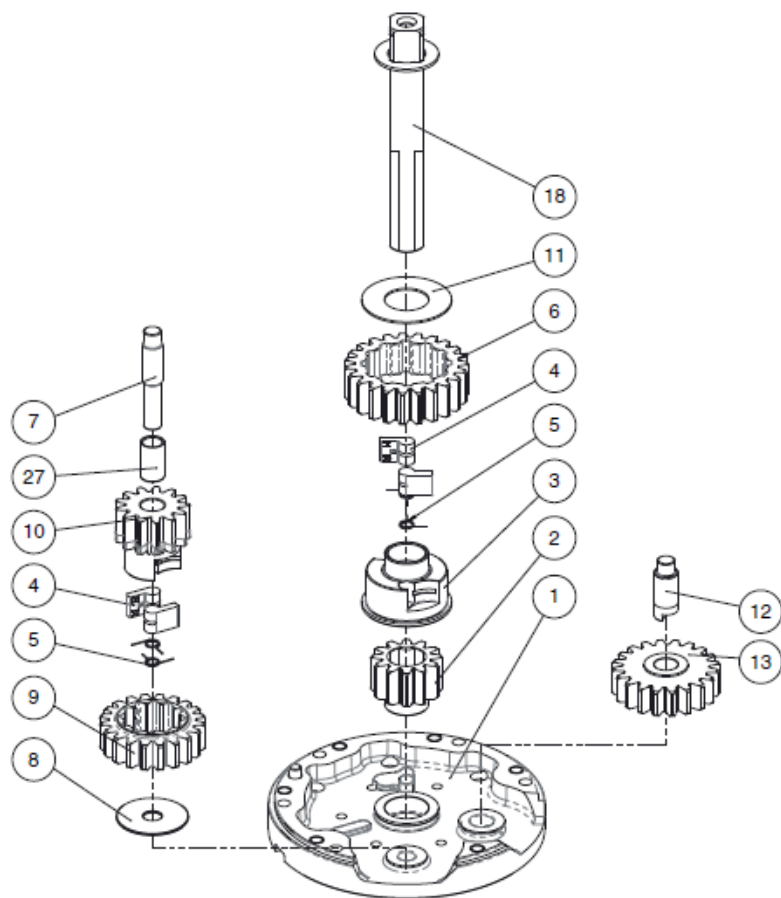
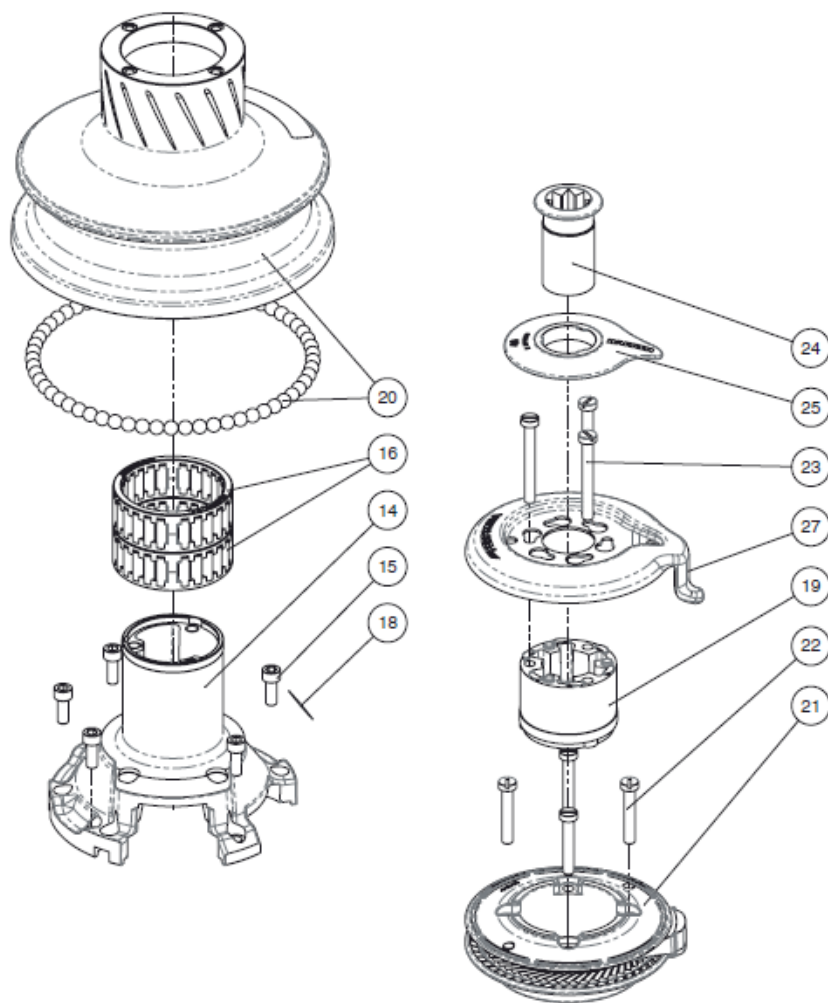
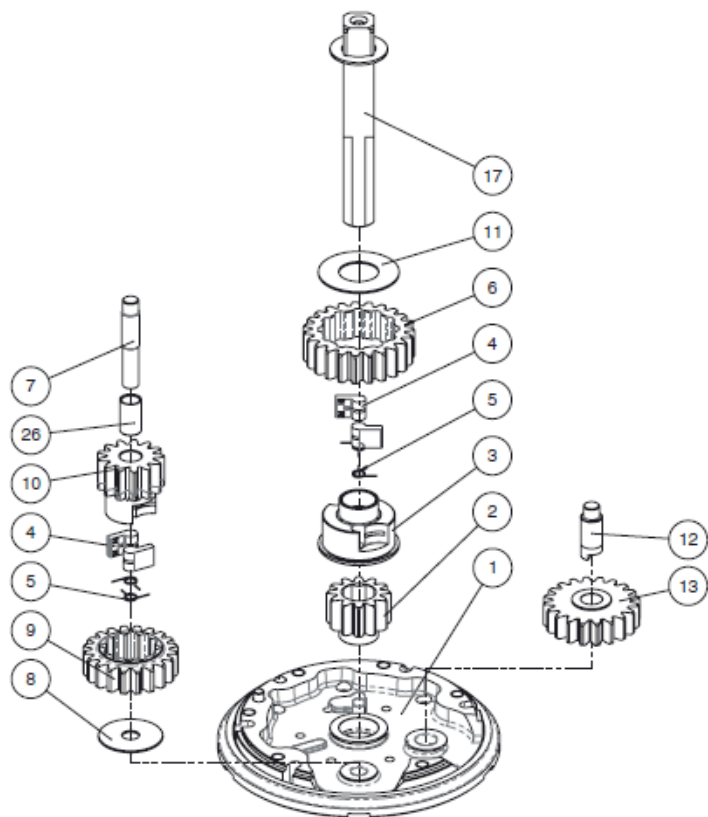


Performa Winch 40.2 STP

Performa Winch 40.2 STP

Perfoma Winch 40.2 STQP

Performa Winch 40.2 STQP

Perfoma Winch 40.2 STP

Pos	Qty	Code	Description	Pos	Qty	Code	Description
1	1	A96633200	PERFORMA Winch 40 Base Assy	17	2	A74136000	Bearing Ø56xØ168x24
			PERFORMA Base W40	18	1	A94139000	Assy Central Shaft W35/40
	1	S413350080	Hel-coil M6x9				Central shaft W35/40 ST
	1	S415230047	Roller Ø6x19		1	S413880002	Washer Ø17.2xØ32x1.5
	1	S413960085	Bushing Ø22xØ25xØ5.5	19	1		Winch Serial Number Sticker
	1	S413330085	Bushing Ø9xØ11x12	20	1	S412940040	Stripper arm support
	1	S413020004	Bushing Ø12xØ14x11	21	1	A96572600	Perfoma Drum W40
2	1	S413020004	Gear Z12				Perfoma Drum W40
3	1	S413030004	Pawls Carrier Ø8xØ2				Winch Product Sticker**
4	4	S000090004	Pawl Ø8*	1	S6572700A3	Bearing ring W40	
5	4	S000380001	Pawl Spring Ø8*	49	M0619580	Ball 3/16"	
6	1	S412630041	Gear Z23	22	1	A94131800	Assy Winch 40 Jaws
7	1	S657380004	Perfoma Pin Ø9-10 W40				Lower Jaw W35/40
8	1	S279090002	Washer 38x9,5x1				Upper Jaw W35/40
9	1	S412970004	Gear Z20	1	S413610080	Peeler W20 - 40	
10	1	S657370041	Perfoma Pinion Z13 W40	4	S385570001	SPRING	
11	1	S413120002	Washer Ø22.5xØ45x1	23	4	M06601803	Screw UNI EN ISO 1207:1996 - M6x35 - A4
12	1	S413070004	Pin Ø9xØ11.2xØ2.5	24	3	M6007103	Screw M6x50 UNI 6107
13	1	A94130500	Assy Gear Z20	25	1	A94136400	Assembly Socket W20-Ø0
			Gear Z20				Socket Handle W20/Ø0
	2	S414900080	Bushing Ø12xØ14xØ8	1	S415130085	Washer Ø7.7xØ25xØ5.8	
14	1	A94141500	Assy Housing Winch 40	1	M0614303	Screw M6x20 UNI 6109	
			Support W40	26	1	S4141900A5	Cover 2 speed W40
	2	S414890080	Bushing Ø9xØ11x7	27	1	M6033794	Bushing XSM-1 012-20
	3	M0649802	Hel-coil M6x9	28	1	S657360019	Perfoma Back Stripper Arm W40
	1	S4130900A7	Bushing Ø22xØ25xØ5.5				
15	6	M0635103	Socket head screw M6x16 UNI 9301				
16	1	S657280052	Perfoma Shim W40				

*Available with service kit; see website www.harken.com

**Winch product sticker



Performa Winch 40.2 STQP

Pos	Q.ty	Code	Description	Pos	Q.ty	Code	Description
1	1	A94163400	Assembly base W40Q with thrust bearing Ring base W40 STD Base W40 Hel-coil M6x9 Roller Ø6x19 Bushing Ø22xØ25x5.5 Bushing Ø9xØ11x12 Bushing Ø12xØ14x11	17	1	A94139000	Assembly Central Shaft W35/40 Central shaft W35/40 ST Washer Ø17.2xØ32x1.5
	1	S413350080		18			Winch Serial Number Sticker
	1	S4152300A7		19	1	S4129400A0	Stripper arm support
	1	S413960085		20	1	A94163201	Assembly Performa Drum W40 Q Performa Drum W40 Q Ball 5/16"
	1	S413330085		61		M0610280	Winch STD product sticker**
2	1	S413020004	Gear Z12	21	1	A94131800	Assembly Winch 40 Jaws Lower Jaw W35/40 Upper Jaw W35/40 Peebler W20 - 40 SPRING
3	1	S413030004	Pawls Carrier Ø8xN2	1		S413610080	
4	4	S000090004	Pawl Ø6*	4		S385970001	
5	4	S000380001	Pawl Spring Ø6*	22	4	M0601803	Screw UNI EN ISO 1207-1 996 - M6x35 - A4
6	1	S412830041	Gear Z23	23	3	M0307103	Screw M6x50 UNI 6107
7	1	S657380004	Performa Pin Ø9x10 W40	24	1	A94136400	Assembly Socket W20-80 Socket Handle W20/80 Washer Ø7.7xØ225x5.8 Screw M8x20 UNI 6109
8	1	S279090002	Washer Ø36xØ9,5x1	1		S415130085	
9	1	S412970004	Gear Z20	1		M0614303	
10	1	S657370041	Performa Pinion Z13 W40	25	1	S4141900A5	Cover 2 speed W40
11	1	S413120002	Washer Ø22.5xØ45x1	26	1	M0333794	Bushing XSM-1 012-20
12	1	S413070004	Pin Ø9xØ12xØ2.5	27	1	S657360019	Performa Black Stripper Arm W40
13	1	A94130500	Assembly Gear Z20 Gear Z20 Bushing Ø12xØ14xØ8				
	2	S414900080					
14	1	A94141500	Assembly Housing Winch 40 Support W40 Hel-coil M6x9 Bushing Ø9xØ11x7 Bushing Ø22xØ25x5.5				
	2	S414890080					
	1	S4130900A7					
15	6	M0635103	Socket head screw M6x16 UNI 5961				
16	2	A74136000	Bearing Ø56xØ68x24				

*Available with service kit; see website www.harken.com

**Winch product sticker

