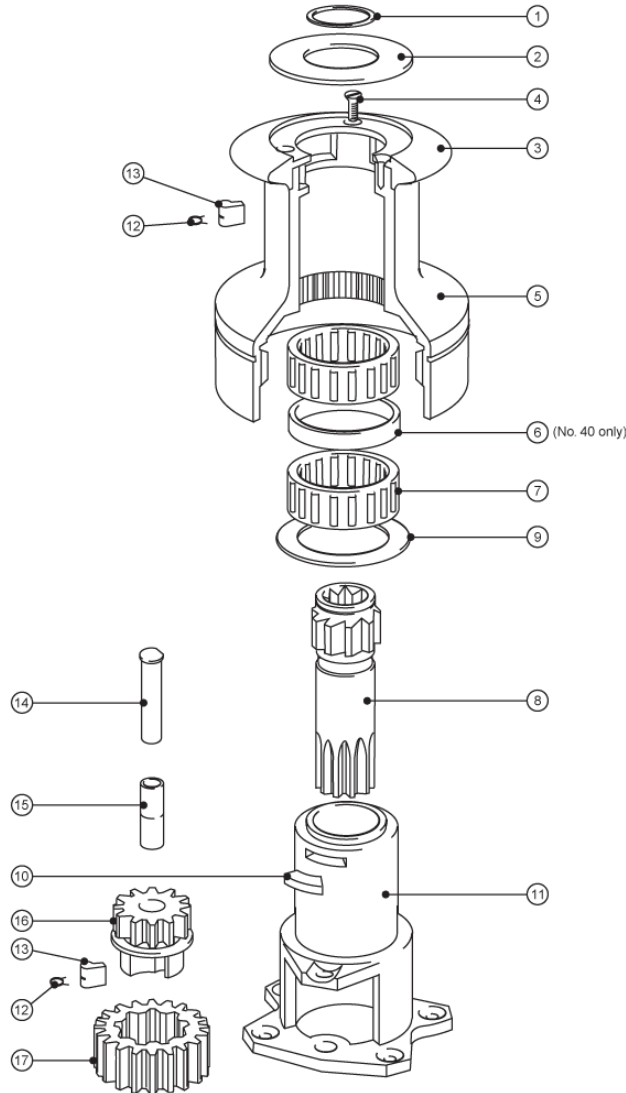


## Standard Winch Size 24 Spares



Item #	Description	Qty	Part Number
1-12-13-10	Circlip, Pawl springs, Pawls, Key	1	19700100
2	Top Cap	1	45001400
3	Crown	1	45001109
4	M5 x 12mm screw	3	15000527
5	Drum - Alloy Finish	1	45001414
5	Drum - Chrome Finish	1	15000471
7	Roller bearing assembly	2	15008007



8	Main spindle	1	15000830
9	Drum washer	1	15000376
11	Centre Stem	1	<del>18000531</del>
12-13	Pawls & Pawl Springs (Part of Kit)	4	19700501
14	Gear spindle	1	<del>15000423</del>
15	Gear spindle sleeve	2	15000378
16	Pawl Gear	1	15000477
17	Ratchet Gear	1	<del>15000476</del>