

XiS



XiS | Compact Computer

DYNICS IP65 XiS features a Braswell Celeron®, or 6th Gen Intel® Core i5 or i7 Processor in a compact form factor and an aluminum heat sink for durability and reliability. Configurable to suit many production applications, the XiS offers options for operating system, storage and Wi-Fi.

- Intel® Core i5 6300U / i7 6600U
- Fanless (No Moving Parts)
- Aluminum Heatsink
- 24VDC Power Entry
- Optional 2x Extra Ethernet Ports (M12/RJ45 Avliable)

	BRASWELL N1360	Intel® Core i5 6300U / i7 6600U
COMPUTER I/O PORTS		
DVI-D Ports	2x	2x
USB 3.0 Ports	2x	2x
Ethernet Ports	2x	2x
CPU	Braswell N1360	Intel® Core i5 6300U / i7 6600U
CPU SPEED	1.6GHz Base, 2.24GHz Turbo (4 Cores, 4 Threads)	i5 – 2.4GHz Base, 3.0GHz Turbo (2 Cores, 4 Threads) i7 – 2.6GHz Base, 3.4GHz Turbo (2 Cores, 4 Threads)
MEMORY	Up to 8GB DDR3	Up to 16GB DDR4
STORAGE	240GB – 2TB SSD / 1TB HDD	
OPERATING SYSTEM	- Windows® 7 Professional (64-bit) - Windows® Embedded Standard 7 (64-bit) - Windows® 10 Professional (64-bit) - Windows® 10 Enterprise IoT LTSC 2019 (64-bit) -Linux Ubuntu	
POWER SUPPLY	24VDC Power Entry	
TEMPERATURE	Operating: 0°-50°C 32°-122°F Non-Operating: -25°-60°C -13°-140°F	
RELATIVE HUMIDITY	Non-Condensing: 20% - 80% Operating: 10G	
SHOCK RESISTANCE	Non-Operating: 15G Operating: 1.0G from 57~2000Hz	
VIBRATION INCLUDED	Non-Operating: 2.5G from 57~2000Hz 1x Panel Mount Brackets	
COMPLIANCE	European Union Directive 2011/65/EU (RoHS)	
WARRANTY	24-Month limited warranty. Extended warranty available, contact DYNICS for more details.	



XiS



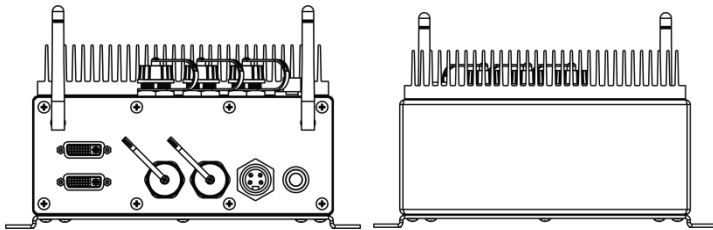
DIMENSIONS, WEIGHT AND POWER CONSUMPTION

	HEIGHT	WIDTH	DEPTH	WEIGHT	POWER CONSUMPTION
XiS	5" (127mm)	9.7" (247mm)	9.0" (229mm)	9*	Braswell 24 Watts** I5/I7 41 Watts**

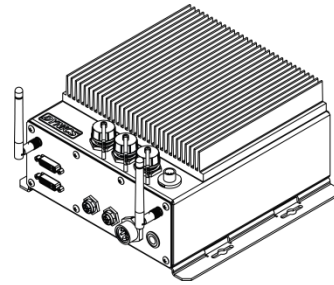
* Weights are approximate, contact DYNICS for details.

** Power consumption is based on maximum ratings, actual ratings vary significantly based on components used.

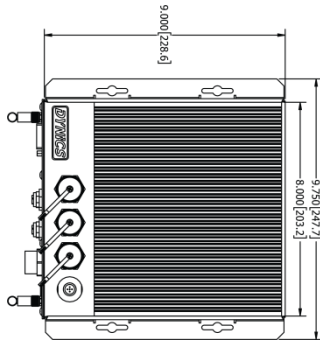
MECHANICAL DRAWINGS (Drawings with optional Ethernet ports) FRONT AND BACK VIEW



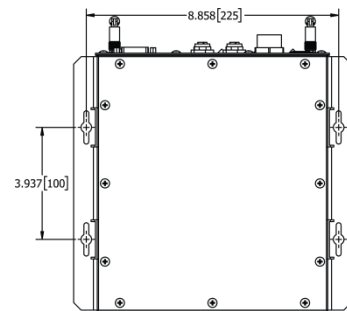
ISOMETRIC VIEW



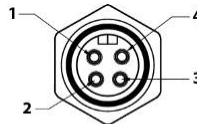
TOP VIEW



BOTTOM VIEW



POWER ENTRY (4-PIN) 24VDC



- 1 0VDC
- 2 0VDC
- 3 +24VDC
- 4 +24VDC

All measurements are in inches and pounds, , unless noted. Pictures and drawings are not to scale. Estimated weight may change depending on options. DYNICS Reserves the right to change, modify, upgrade, or discontinue any part of this datasheet without any prior notice.

