

XiA



XiA2/XiA4 | IP50 INDUSTRIAL COMPUTER MODULE

DYNICS XiA is a compact computer built with no moving parts and equipped with an aluminum heatsink in an IP50 sealed form factor, featuring Intel Apollo Lake processor options. With your choice of operating system, storage and optional Wi-Fi the XIA is a cost-effective entry level industrial computer. The XIA series ships ready to install on a standard Din Rail. Additional panel and shelf mount brackets are included.

- Fanless (No Moving Parts)
- Aluminum Heatsink
- IP50 Rating
- Graphite Power Coating

PC SPECIFICATIONS

COMPUTER I/O PORTS

- 1Gb Ethernet Ports**
- SFP Ethernet Ports**
(SFP modules not included)
- USB 3.0 Ports**
- USB 2.0 Ports**
- RS-232/422/485 Ports**
- RS-232 Ports**
- Analog VGA Video Ports**
- HDMI Ports**
- Audio Jack (Line Out)**

	XiA2	XiA4	XiA4S
1Gb Ethernet Ports	2x	4x	2x
SFP Ethernet Ports (SFP modules not included)	-	-	2x
USB 3.0 Ports	2x	2x	2x
USB 2.0 Ports	4x	2x	2x
RS-232/422/485 Ports	1x	1x	1x
RS-232 Ports	1x	1x	1x
Analog VGA Video Ports	1x	1x	1x
HDMI Ports	1x	1x	1x
Audio Jack (Line Out)	1x	1x	1x

CPU CPU SPEED

Intel Celeron N3350

Up To 2.4GHz Turbo
2MB Cache (2 Cores, 2 Threads)

Intel Pentium N4200

Up To 2.5GHz Turbo
2MB Cache (4 Cores, 4 Threads)

MEMORY STORAGE

Up to 16GB DDR3
128-512GB M.2 Solid State SATA Flash Drive or
240GB-2TB Solid State SATA Flash Drive [easily removable drive option (-RSSD) available]

OPERATING SYSTEM

Windows® 10 Enterprise IoT LTSC 2019 (64-bit)
Linux Ubuntu

POWER SUPPLY

24VDC Power Entry (3-Pin Quick Disconnect Included)
[Contact Dynics for External Power Supply Options]

OPTIONAL TEMPERATURE

Dual Wi-Fi 2.4 GHz
Operating: 0°-50°C | 32°-122°F
Non-Operating: -25°-60°C | -13°-140°F

RELATIVE HUMIDITY

Non-Condensing: 20% - 80%

SHOCK RESISTANCE

Operating: 10G
Non-Operating: 15G

VIBRATION

Operating: 1.0G from 57~2000Hz
Non-Operating: 2.5G from 57~2000Hz

COMPLIANCE WARRANTY

EU: RoHS
24-Month limited warranty. Extended warranty available, contact DYNICS for more details.

OPTIONAL ACCESSORIES

PWR-24V-BRK-40W-3PIN 40 Watt AC to DC Desktop Brick Power Supply, 6 Ft US AC Power Cable, 3-PIN DC Cable

PWR-24V-2.5ADC-ECO-RAIL ECO-RAIL-2 Industrial DIN Rail Mount 60 W Power Supply, 90-264 VAC Input, 24VDC, 2.5ADC Output



DIMENSIONS, WEIGHT AND POWER CONSUMPTION

	HEIGHT	WIDTH	DEPTH	WEIGHT*	POWER CONSUMPTION**
XiA2 /4/ 4S	7.1" (180.3mm)	3.15" (80.0mm)	5.1" (129.5mm)	3 lbs. (1.4kg)	16 Watts
XiA2 /4/ 4S - RSSD Option	7.1" (180.3mm)	3.9" (99.1mm)	5.1" (129.5mm)	3.5 lbs. (1.6kg)	16 Watts

* Weights are approximate, contact DYNICS for details.

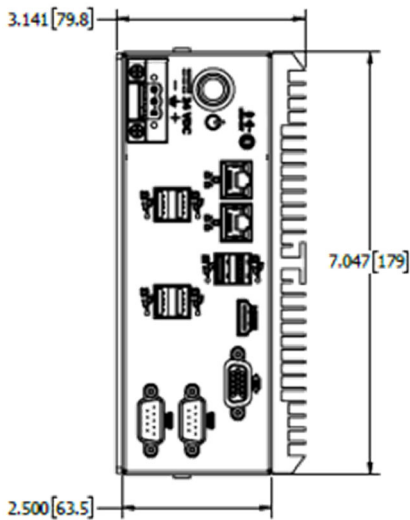
** Power consumption is based on maximum ratings, actual ratings vary significantly based on components used.

XiA

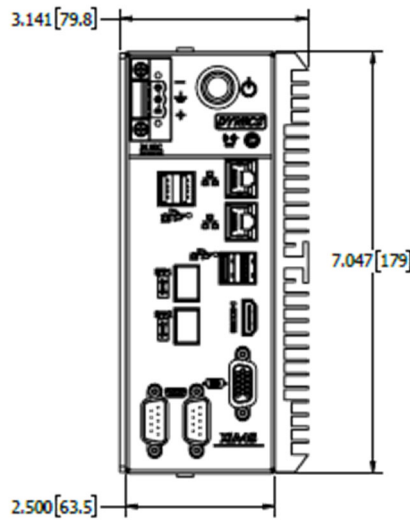


MECHANICAL DRAWINGS

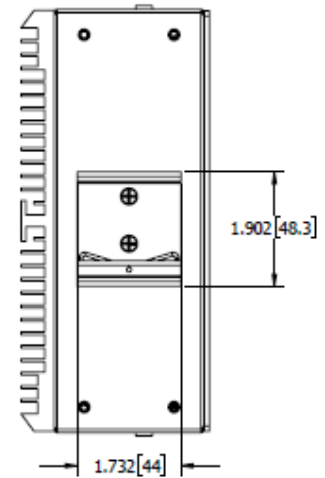
XiA2 FRONT VIEW



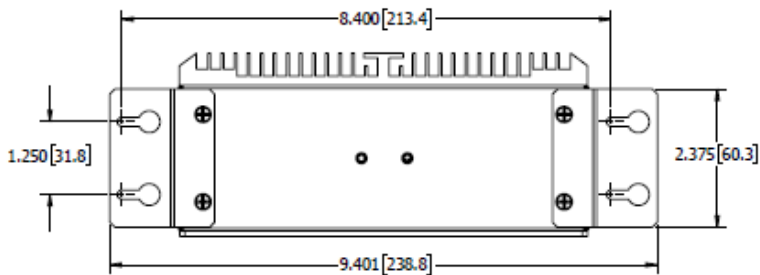
XiA4 FRONT VIEW



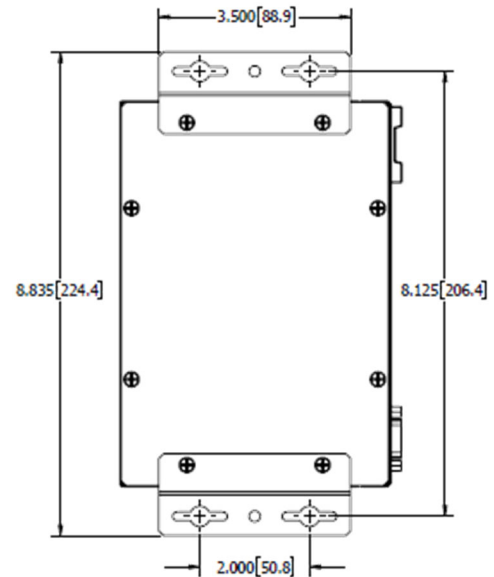
BACK VIEW (DIN Mount)



BACK VIEW (w/ Panel Mount Brackets)



SIDE VIEW (w/ Shelf Mount Brackets)



PIN 1: V+
 PIN 2: \perp (Chassis GND)
 PIN 3: V-

All measurements are in inches and pounds, unless noted. Pictures and drawings are not to scale. Estimated weight may change depending on options. DYNICS Reserves the right to change, modify, upgrade, or discontinue any part of this datasheet without any prior notice.



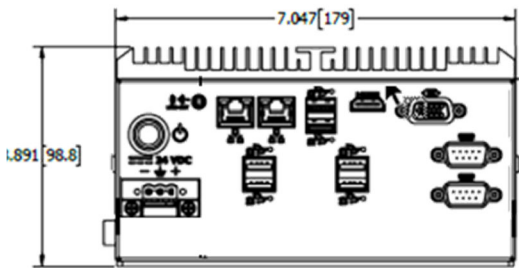
XiA-RSSD



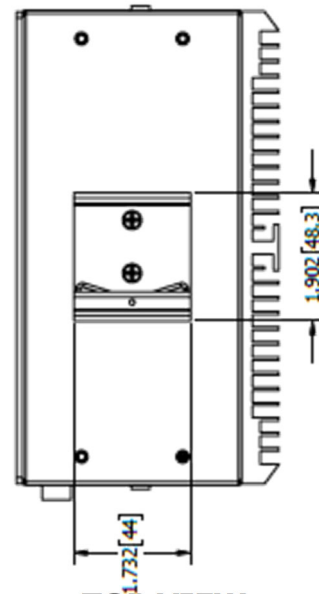
MECHANICAL DRAWINGS

XIA2/4-RSSD MECHANICAL DRAWINGS

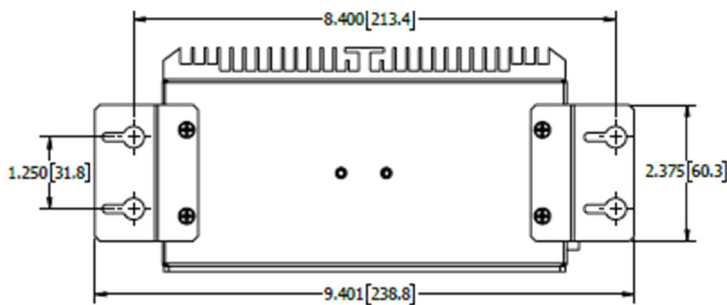
FRONT VIEW (XIA2 shown)



BACK VIEW (DIN Mount)

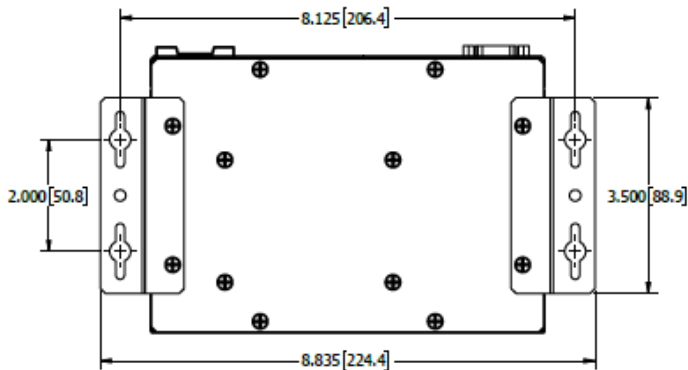


BACK VIEW (w/ Panel Mount Brackets)

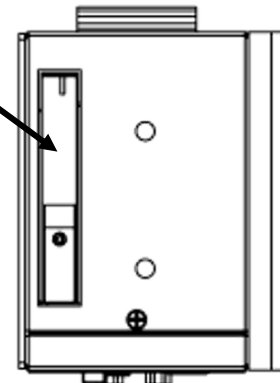


TOP VIEW (Showing Removable Drive)

SIDE VIEW (w/ Shelf Mount Brackets)



Removable Drive Slot



All measurements are in inches and pounds, unless noted. Pictures and drawings are not to scale. Estimated weight may change depending on options. DYNICS Reserves the right to change, modify, upgrade, or discontinue any part of this datasheet without any prior notice.

