



The Ultra arm is protected by U.S. Patent 9,243,743

Create your ultimate workstation with the unique, patented Ultra 180 and Ultra 182 systems

- **SLEEK DESIGN** and sturdy construction. Engineered for years of reliable service and quiet operation.
- **ERGONOMIC.** Relieve eye, neck and back strain by easily moving arm to most comfortable position. Keyboard trays adjust to positive, neutral, and negative tilt for maximum ergonomic benefit.
- **MONITOR ROTATES** for portrait viewing of images and pages. Eliminates scrolling.
- **EXTENDS AND RETRACTS.** Effortlessly push your display out of the way when not in use.
- **CABLE MANAGEMENT** system conceals cables and routes them through the arm for a neater appearance and to simplify cleaning.
- **VERSATILE.** The Ultra 180 and Ultra 182 can be configured to your specific needs. Ideal for computer workstations, and for mounting medical and industrial devices.
- **UNPRECEDENTED PATENTED RANGE OF MOTION.** Unique design provides premium ease-of-use adjustability. Arm rotates easily at every joint.
- **COMPACT.** The Ultra 180 and Ultra 182 stow 10" (25.4 cm) from the mounting surface and are ideal for space-constrained areas.
- **POPULAR** in healthcare environments and other settings that require maximum range of motion of a computer workstation or device.

Monitor, keyboard and mouse not included.



For more information contact your ICW representative or talk to one of our customer service representatives at 1-800-558-4435.

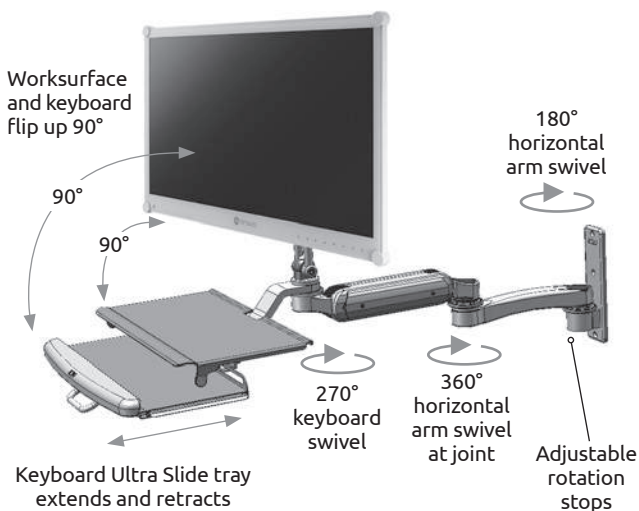
Range of
Motion Video



ULTRA 180

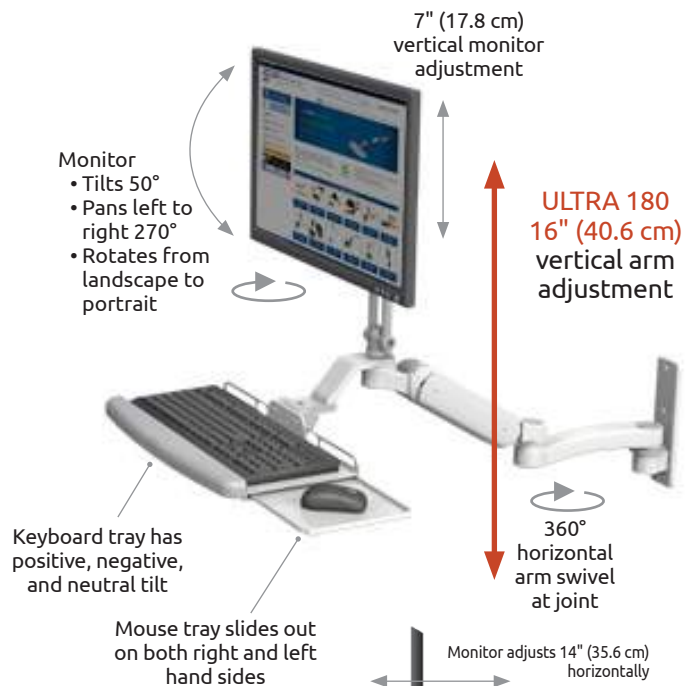
Industry-leading HORIZONTAL range of motion

UL180EV7-W3-KUS-A1 with EV7 monitor mount, A1 extension arm and Keyboard Ultra Slide.



Industry-leading VERTICAL range of motion

UL180EV7-W3-KUB-A1 with EV7 monitor mount, A1 extension arm and Flip Up Keyboard Tray.



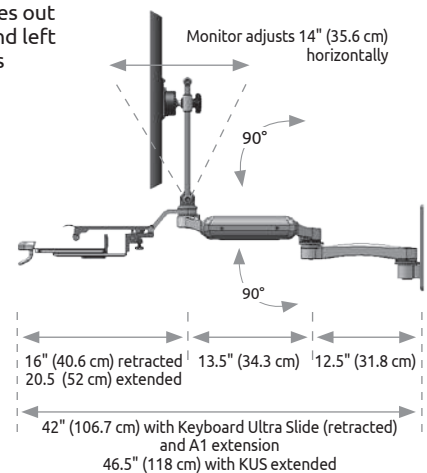
Stowed depth 10" (25.4 cm)



Sleek design, long reach



Vertical adjustment 16" (40.6 cm)



Additional Options

Behind-the-keyboard scanner bracket mount

Behind-the-monitor scanner bracket and Mini PC mount



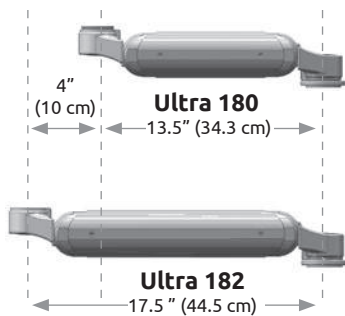
Specifications—Ultra 180

Load capacity	32 lbs (14.5 kg)
Vertical adjustment range	16" (40.6 cm)
Reach of 180 Arm	16" (40.6 cm)
Stowed depth	10" (25.4 cm)
Horizontal rotation at wall	180°
Horizontal rotation at A1 joint	270°
Monitor tilt	50°
Monitor pan left to right	270°
Monitor rotation	Landscape to portrait position
VESA interface	75 mm and 100 mm

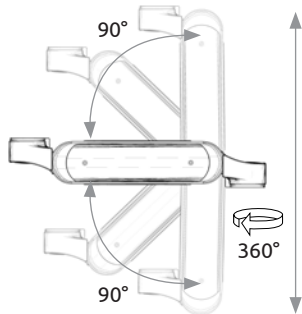
ULTRA 182

The Ultra 180 and 182 have identical range of motion.

The Ultra 182 is 4" (10.15 cm) longer and provides 8" (20.3 cm) more vertical reach.



The Ultra 182 has 4" more reach than the Ultra 180 arm.
The Ultra 182 provides a true sit-stand workstation.

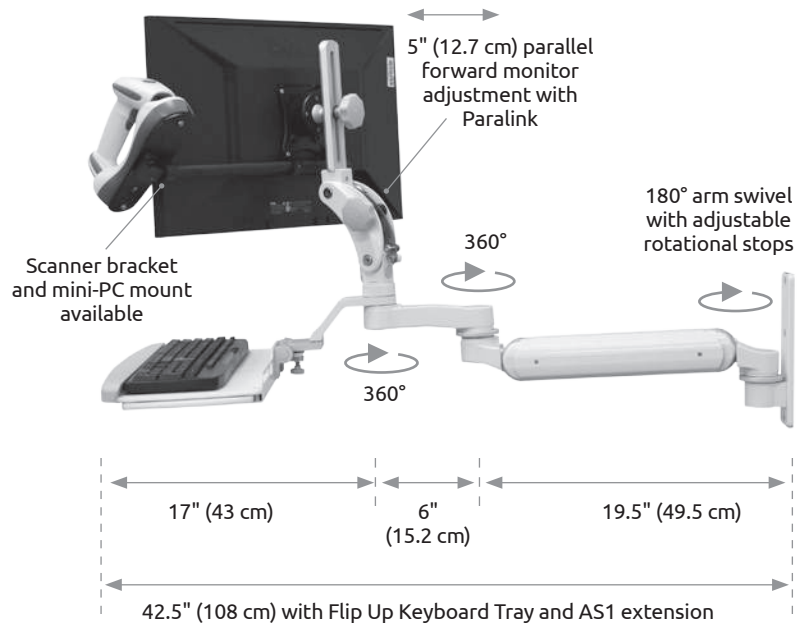


Ultra 180 provides 16" (40.6) of vertical adjustment

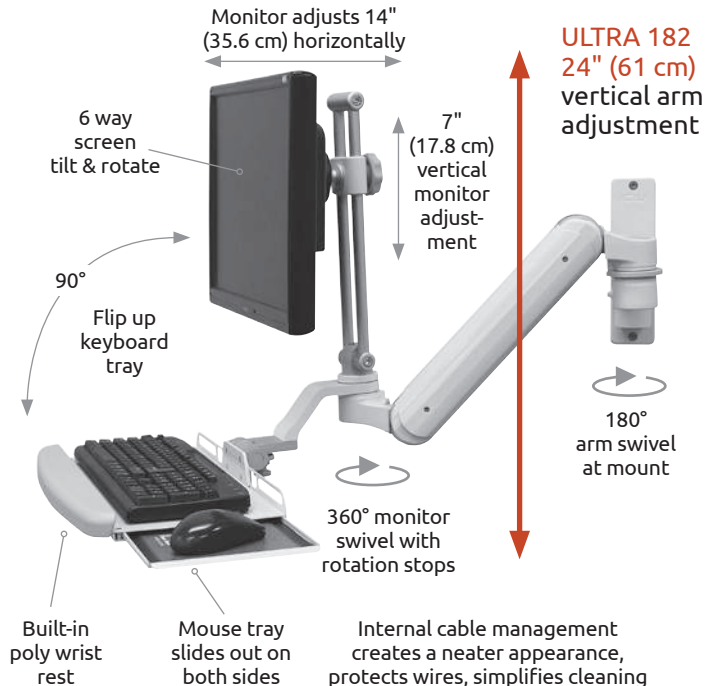
Ultra 182 provides 24" (61 cm) of vertical adjustment

True Sit-Stand workstation

UL182P-W3-KUB-AS1 with Paralink monitor mount, scanner bracket mount, AS1 short extension arm and Flip Up Keyboard Tray.



UL182EV7-W3-KUB with EV7 monitor mount and Flip Up Keyboard Tray.



Specifications—Ultra 182

Load capacity	32 lbs (14.5 kg)
Vertical adjustment range	24" (61 cm)
Reach of 182 Arm	24" (61 cm)
Stowed depth	10" (25.4 cm)
Horizontal rotation at wall	180°
Horizontal rotation at A1 joint	270°
Monitor tilt	50°
Monitor pan left to right	270°
Monitor rotation	Landscape to portrait position
VESA interface	75 mm and 100 mm

Industry-leading versatility. Extensive configurations.

These are a few of the many possible configurations available.

Glides 28" (71 cm) horizontally on mounting track



UL180i-BV-TS28-D1-A1
Inverted Ultra 180 monitor mount attaches to a sliding track beneath a shelf or cabinet.



UL180iEV7-W3-KUB-A1
Inverted Ultra 180 shown with Flip Up Keyboard Tray and Service Tray with A1 extension mounted at the back of the arm.



UL180EV7-W3-KUB-A1
Ultra 180 shown with Flip Up Keyboard Tray and A1 extension mounted at the front of the arm.

Unprecedented Range of Motion

The ONLY arm with full 180° of vertical rotation and up to 360° of horizontal rotation.

No other arm matches this range of motion.

You have precise control over the positioning of your monitor and workstation.

Keyboard Options

FLIP UP KEYBOARD TRAY DIMENSIONS

Tray width	19" (48 cm)
Tray depth	9.5" (24 cm)
Mouse tray extension	9.75" (24.7 cm)
Mouse tray depth	7.25" (18.4 cm)
Stowed depth	9.5" (24 cm)



KEYBOARD ULTRA SLIDE DIMENSIONS

Tray width	20.5" (52 cm)
Tray depth	10" (25.4 cm)
Tray depth with keyboard tray extended	16.5 (42 cm)
Mouse tray extension	9.75" (24.7 cm)
Mouse tray depth	7.25" (18.4 cm)
Stowed depth	10" (25.4 cm)



LAPTOP TRAY DIMENSIONS

Tray width	16.375" (41.6 cm)
Tray depth	13.75" (35 cm)



UL180P-W3-KUB-AS1
Ultra 180 shown with Dual Monitors, Flip Up Keyboard Tray, and AS1 extension mounted at the front of the arm.



DUAL ULTRA 180 WORKSTATION
Monitor and WorkSurface Tray mounted on separate Ultra 180 arms with A1 extensions.

Device Mount

The Ultra 180 and 182 are ideal for mounting medical and manufacturing/industrial devices. We can attach to any device.

With these mounts' unsurpassed range of motion, you can position your device exactly where you want it.

These mounts are strong and can support up to 32 lbs (14.5 kg).

Available in these 5 standard colors and 9 custom colors.



ICWUSA.com, Inc.
1487 Kingsley Drive
Medford, OR 97504
800-558-4435