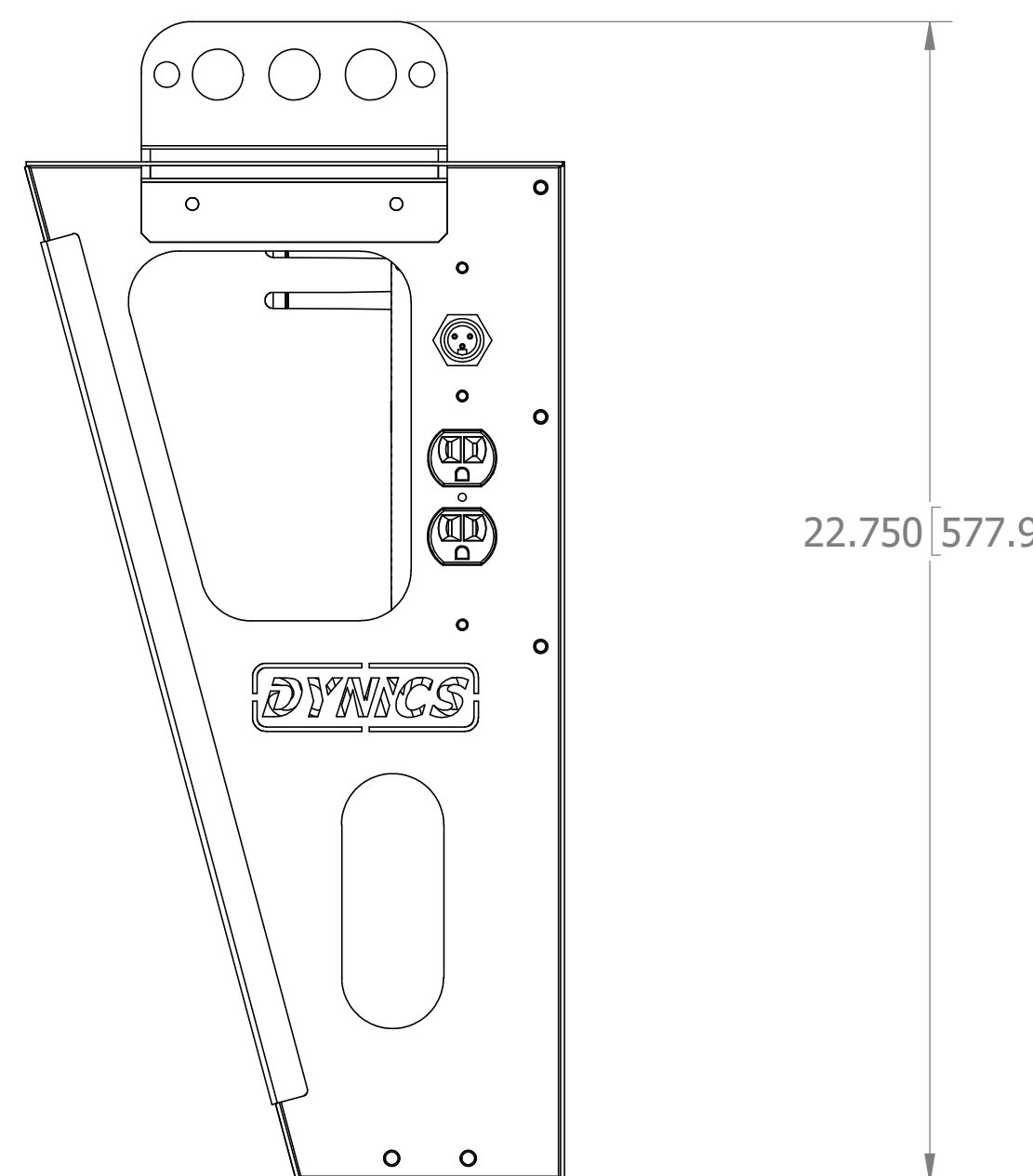
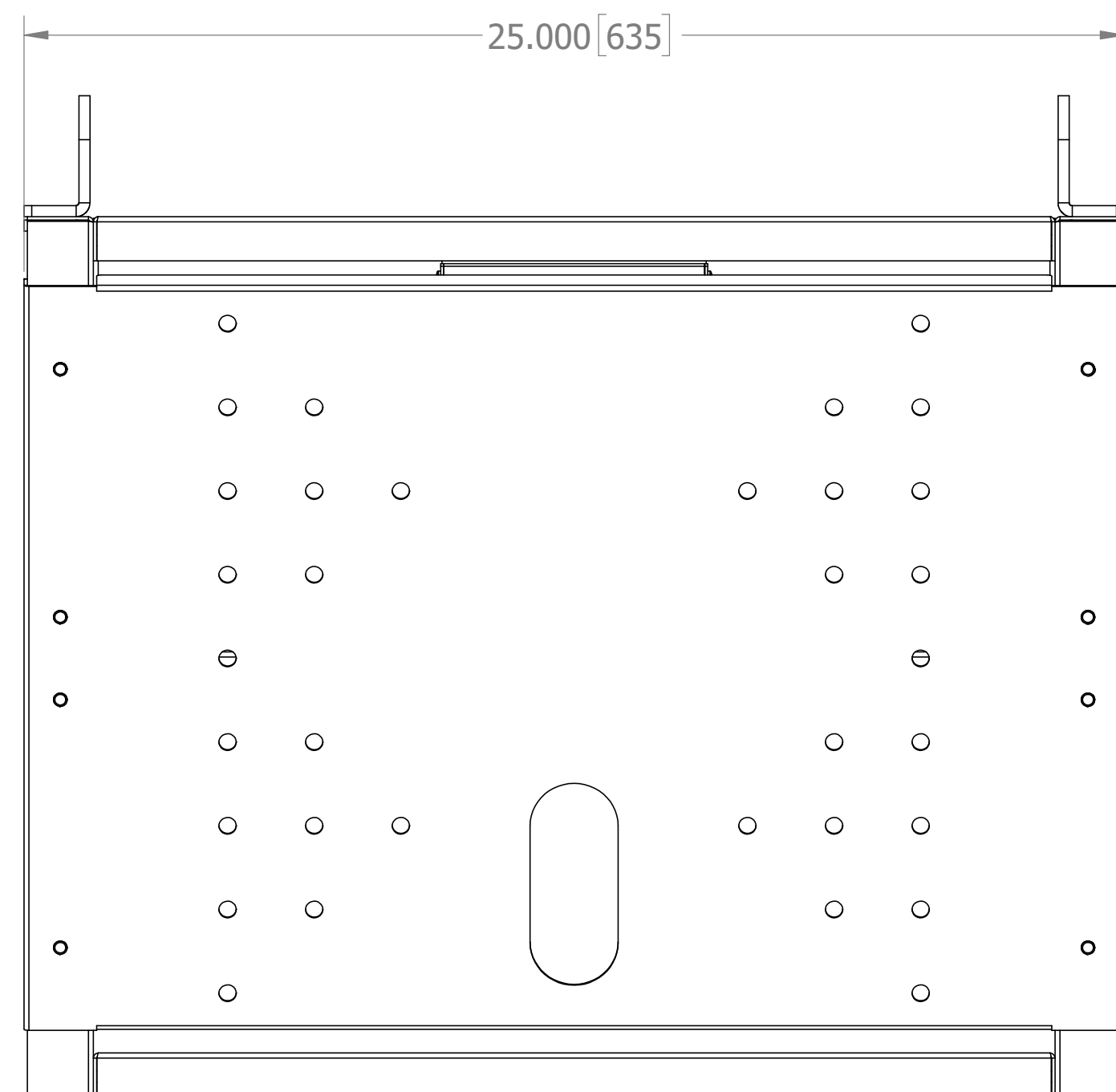
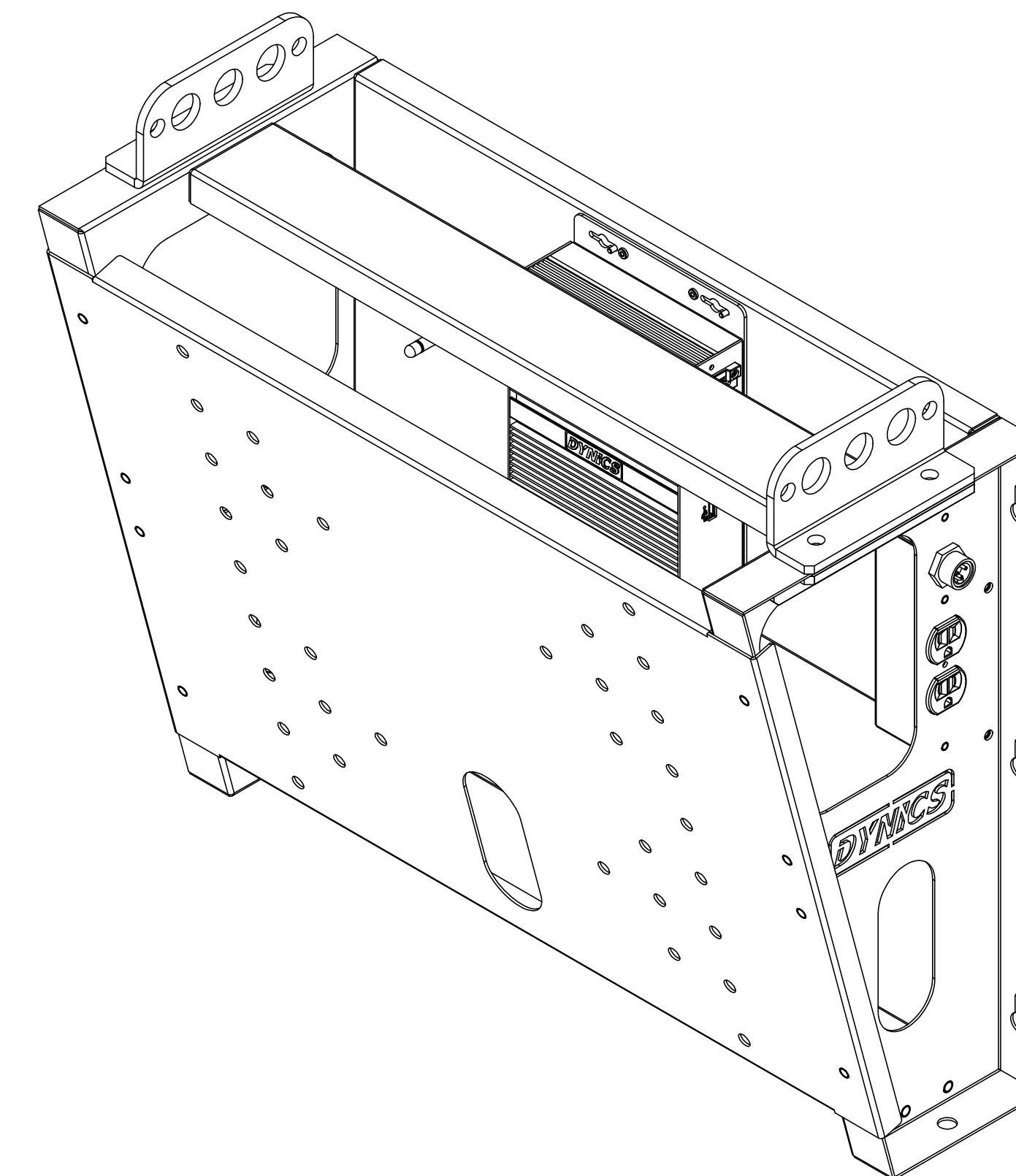
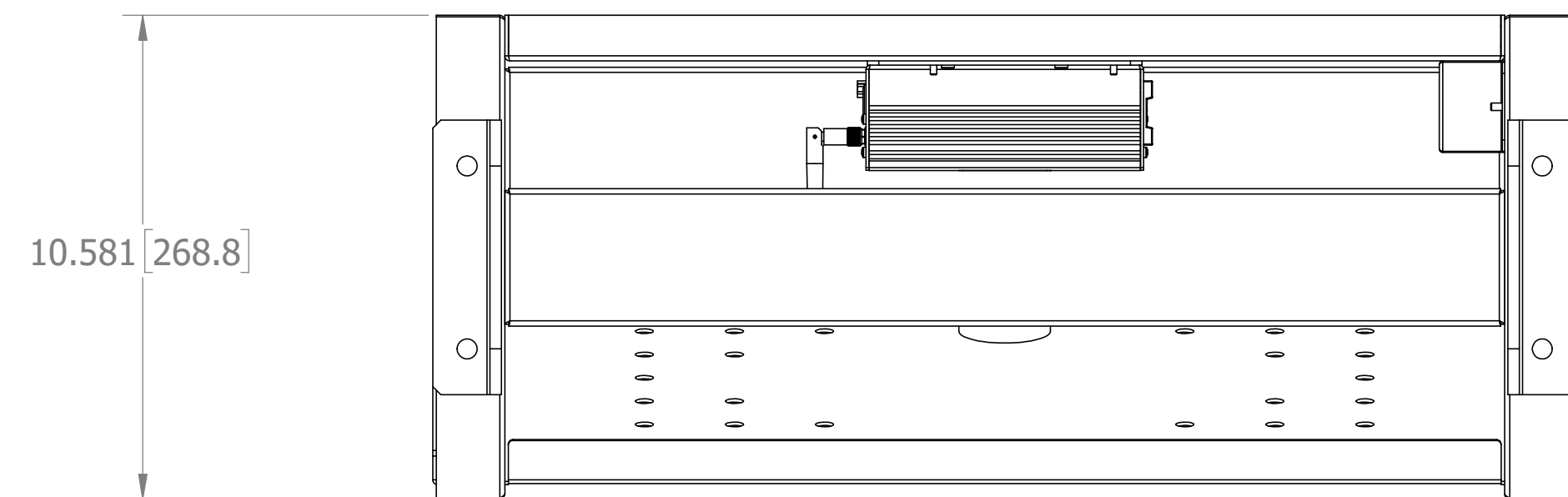


REVISIONS				
ZONE	REV.	DESCRIPTION	DATE	APPROVED
--	AA	Preliminary drawing.	1/9/2018	CTHAYER



<p>THIRD ANGLE PROJECTION UNLESS OTHERWISE SPECIFIED</p>	<p><b>620 TECHNOLOGY DRIVE ANN ARBOR, MI 48108</b></p>	
	<p>ph: 734.677.6100 fax: 734.677.6105</p>	
<p>All details must be free of burrs, and sharp edges which may be detrimental to satisfactory assembly, safe handling, or function. Statistics have shown that mistakes made during the manufacturing process are typically caused by the manufacturing department, not the mechanical engineer.</p>	<p>Dynics makes no representation or warranties, express or implied, with respect to the reuse of the data provided herewith, regardless of its format or the means of its transmission. There is no guarantee or representation to the user as to the accuracy, currency, suitability or reliability of this data for any purpose. The user accepts the data "as is", and assumes all risks associated with its use. By acceptance of this data, the user agrees not to transmit this data or provide access or any part of it to another party without written consent from the Senior Mechanical Engineer at Dynics. Furthermore, Dynics assumes no responsibility for actual, or consequential damage incurred as a result of any user's reliance on this data.</p>	
<p><b>TOLERANCE UNLESS OTHERWISE SPECIFIED</b></p> <p><i>MILLIMETERS</i></p> <p>.X ± 0.3 .XX ± 0.10</p> <p><i>INCHES</i></p> <p>.XX ± 0.01 .XXX ± 0.005 .XXX ± 0.0005</p> <p>ANGLES ± 0°30'</p>	<p><b>COPYRIGHT 2018 DYNICS, INC. All Rights Reserved</b></p>	
<p>DRAWING NO. <b>SIN400X400</b></p> <p>DESCRIPTION: <b>SINGLE SIDED MEDIUM TV MOUNT</b></p> <p>DRAWN BY: <b>CThayer</b></p> <p>LAST SAVED BY: <b>CThayer</b></p> <p>REVISED BY: <b>cthayer</b>      REV: <b>AA</b></p> <p>MATERIAL: <b>MFG</b></p> <p>THICKNESS: <b>N/A</b></p> <p>FILE LOCATION: <b>E:\_Dynics Products\BTB\VESAs\400x400\SIN\</b></p>	<p>DYNICS SERIES: <b>SIN</b></p> <p>DATE: <b>1/7/2019</b></p> <p>DATE: <b>1/9/2019</b></p> <p>DATE: <b>1/9/2019</b></p> <p>FINISH: <b>TBD</b></p> <p>WEIGHT: <b>39.200</b></p>	<p>DRAWING NOT TO SCALE</p>



