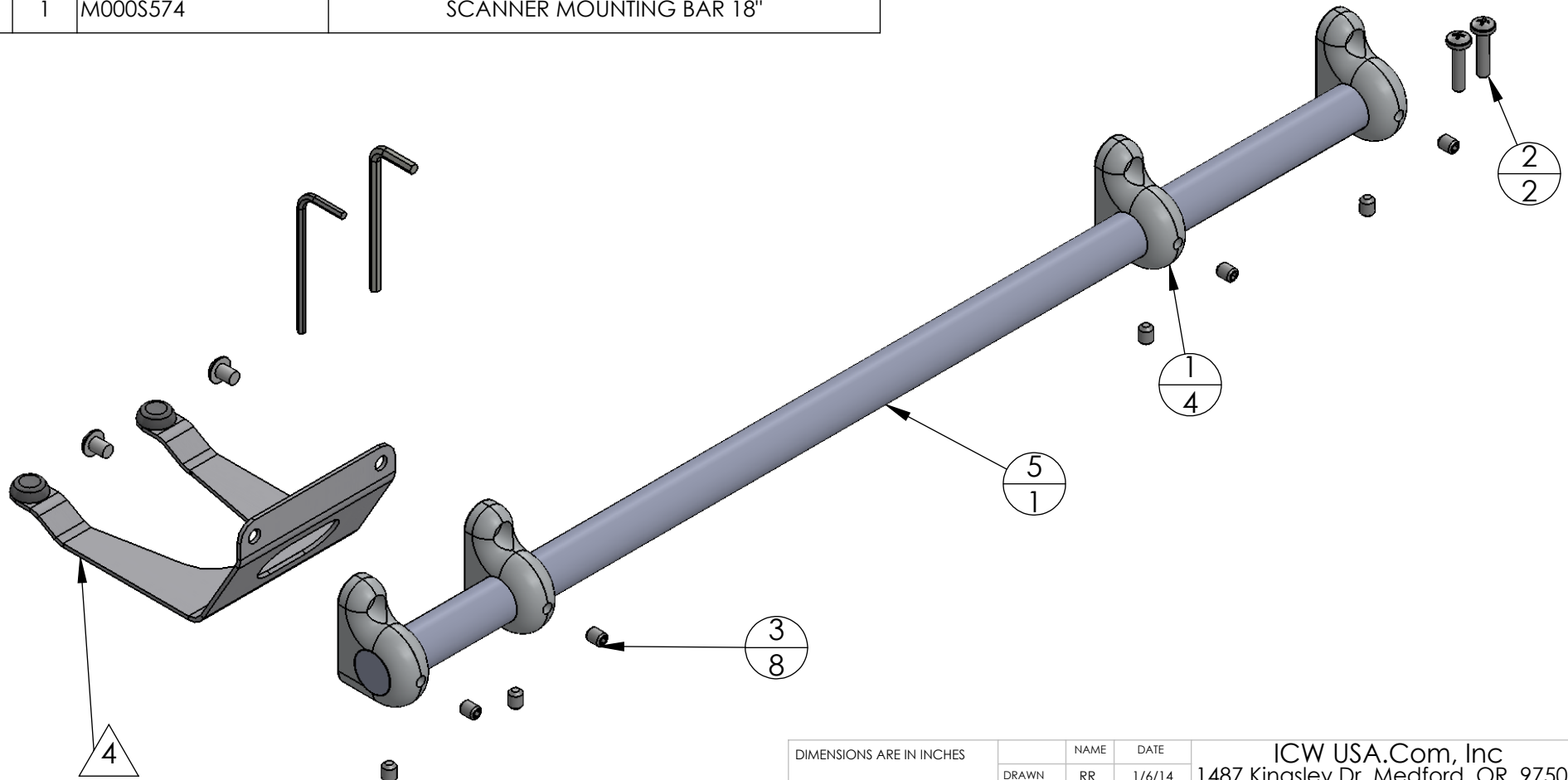


ITEM NO.	QTY.	PART NUMBER	DESCRIPTION
1	4	B000S568	SCANNER MOUNT, CAST, TO REPLACE M000S568
2	2	H0.7X18M4PMSZ	M4-0.7 x 18 MM PAN PHILLIPS HEAD MACHINE SCREW ZINC
3	8	H10-24X.25SSSCPSS	10-24 x 1/4 SOCKET SET SCREW CUP POINT, PATCHED S/S
4	1	KACCBRK	KEYBOARD ACCESSORY BRACKET ASSY.
5	1	M000S574	SCANNER MOUNTING BAR 18"

REVISIONS				
ECN#	REV.	DESCRIPTION	DATE	APPROVED
3416	-	ASSEMBLY RELEASE	5/2/14	RR
3538	A	DISSOLVED S9975-0001 SCANNER MOUNT SUB ASSY	8/26/14	RR
3912	B	B000S568 WAS M000S568, ADD 2ND SET SCREW TO EACH	3/10/17	SI
4410	C	REMOVED: QTY (2) H10-24X.25BHSCSS, QTY (1) H1/8XSAHKZ, & QTY (1) H3/32XSAHKZ; ADDED TO KACCBRK	3/6/18	TS



PROPRIETARY AND CONFIDENTIAL
 THE INFORMATION CONTAINED
 IN THIS DRAWING IS THE SOLE
 PROPERTY OF ICW USA.Com,Inc.
 ANY REPRODUCTION IN PART
 OR AS A WHOLE WITHOUT
 THE WRITTEN PERMISSION OF
 ICW USA.Com,Inc IS PROHIBITED.

DIMENSIONS ARE IN INCHES

TOLERANCES:
 FRACTIONAL ±
 ANGULAR: MACH ± BEND ±
 TWO PLACE DECIMAL ±
 THREE PLACE DECIMAL ±

MATERIAL

FINISH

DO NOT SCALE DRAWING

	NAME	DATE
DRAWN	RR	1/6/14
CHECKED		
ENG APPR.		
MFG APPR.		
Q.A.		
COMMENTS:		

ICW USA.Com, Inc
 1487 Kingsley Dr. Medford, OR 97504
 (541) 608-2824 Fax (541) 608-2797

DESCRIPTION:

**SCANNER MOUNT ASSY.
 FOR ACC. BRKT.**

SIZE **A** DWG. NO. **SCACC18** REV. **C**