

P13 PowerStation

P1 Replacement



*Drops into P1
PowerStation
Cutout*

A Perfect Drop In Replacement for Running Your P1 Interact Applications

The new P13 PowerStation is the perfect replacement for the CTC P1, P1H PowerStation or MotionPanel HMI. With the P13, you can run the same Interact HMI software and applications as your P1 – with no conversion necessary! You get the same Interact modules, expandability and communication drivers with the P13 – all on a more advanced hardware platform that drops into the same cutout as your P1. The P13 even offers a faster processor, brighter display, longer bulb life and a lower price than the original color P1. And since its Parker CTC designed and manufactured, you get an industrial-hardened, NEMA 4/4X design with CompactFlash storage, 100-Base-T Ethernet connectivity and other powerful features that you've come to expect from a PowerStation.

The P13 PowerStation Features...

- CTC-designed and manufactured for reliability
- 6" touchscreen display
- Fits P1/P1H/MotionPanel PowerStation cutout!
- Brighter display and longer bulb life than P1!
- Faster processor than P1!
- Feature-rich Interact HMI with Interact Panel Tools, Graphics, Alarming and Networking software modules
- Expandable with optional Interact software modules such as Historical Trending and advanced Recipe Management
- No software conversion needed for existing P1 applications!
- Over 50 communication drivers - including Ethernet drivers
- Multiple control device connectivity
- CompactFlash non-rotating storage
- 100-Base-T Ethernet
- Slim profile with consistent features
- Quick and easy clip mounting
- Type 4/4X rating



Model Number Configurations

P1306 Q T - Q 1

Display Resolution
Q - 1/4 VGA (320x240)
V - VGA (640x480)

Agency Approvals
1 - No Approvals
3 - UL/CUL/CE
5 - UL/CUL/EC / Class 1 Div. 2

Storage
Q - 256MB FLASH*
R - 512MB FLASH*

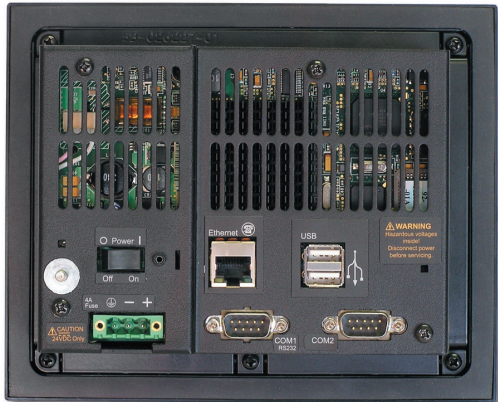
Units are 24VDC. Use P1X-PWRAC power supply for AC power. Power supply cannot be mounted on back of unit.

PA/EPX/XPR/XPC AC Power Supply P1X-PWRAC

Specifications

Note:
All systems include 0-50 °C operation, 24VDC power and agency approvals for CE, UL & CUL. Display based systems include an analog resistive touchscreen, NEMA 4/4X rated package.

Categories	Features	6" Display (P13)
Display	Specification	6" Color TFT 5.7" (145mm) Diagonal 1/4 VGA (320 X 240), opt. VGA (640x480) Resolution QVGA - 470 Nit, Viewing Angle: 70° L/R, 70° U 50° D VGA - 350 Nit, Viewing Angle: 80° L/R 80° U 70° D 75,000 hour backlight (to half brightness)
	Interface	Analog Resistive Touchscreen
HMI Software		Interact Runtime included (PTM, GMM, AMM and NET)
Processor Support		CPU 433MHz LX700 processor 256KB Cache (L1/L2)
Memory	System	128MB Shared DDR Memory (1) 200-pin SODIMM socket, 128MB (std.)
	Video	64MB Shared System Memory
Storage Options	CompactFlash Floppy/CD ROM	256MB CompactFlash External Type II slot (IDE Bootable) External connection via USB
Ports	Keyboard Mouse USB	USB 2.0 USB 2.0 (2) USB 2.0 ports Type-A, CD/Floppy/USB Drive bootable with over current protection
	Serial	(1) RS232 9-Pin D-sub (1) RS232/422/485 9-Pin D-sub
	Ethernet	(1) 10/100Base-T w/ RJ45
	Video	N/A
	Audio	N/A
Expansion Slots		N/A
BIOS Options		Plug-n-Play Configurable Boot Devices: • CompactFlash • USB (CD/ROM, Floppy, Thumb Drive)
Package	Temperature Range Rel. Humidity Vibration	0-50°C 5-95% (non-cond.) 10-500 Hz .5grms (random-operational-HD) 10-500 Hz 1grms (random-operational-CompactFlash)
	Shock	10G, 11 msec (operating) 30G, 11 msec (non-operating)
Power Requirement		24 VDC, 2A maximum, Optional AC Adaptor
Agency Approval		CE; UL/CUL; Class 1 Div. 2



For more information about converting from a P1, P1H or MotionPanel to a P13 PowerStation, call us at **1.800.233.3329.**

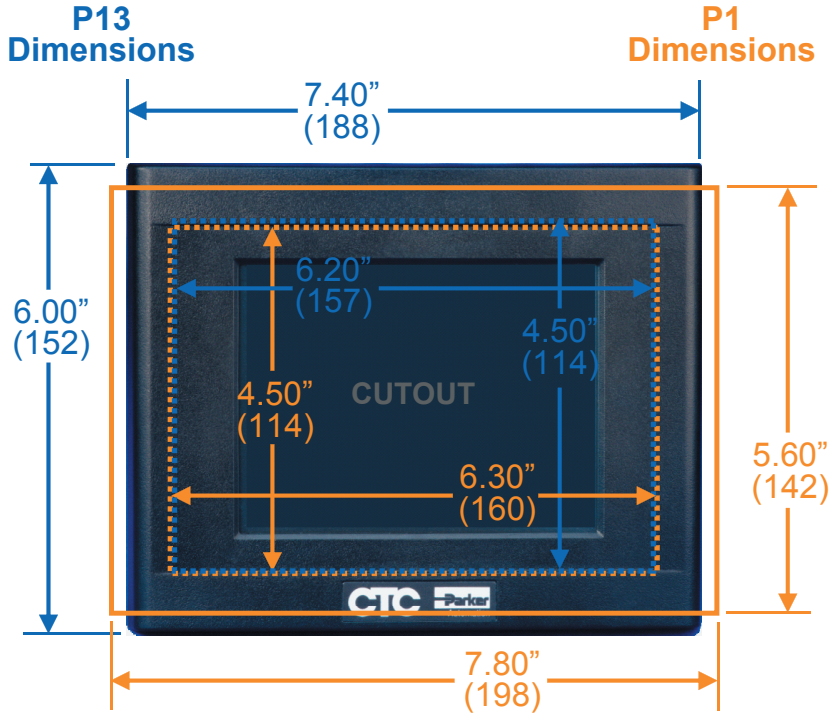
* Actual storage volumes may be higher

All published product specifications are subject to change without notice.



P13 to P1 Cutout Comparison:

There are some dimensional differences in the P13 that affect the cutout area for machine control cabinets. These differences are shown below . . .



P13 Front and Side View:

