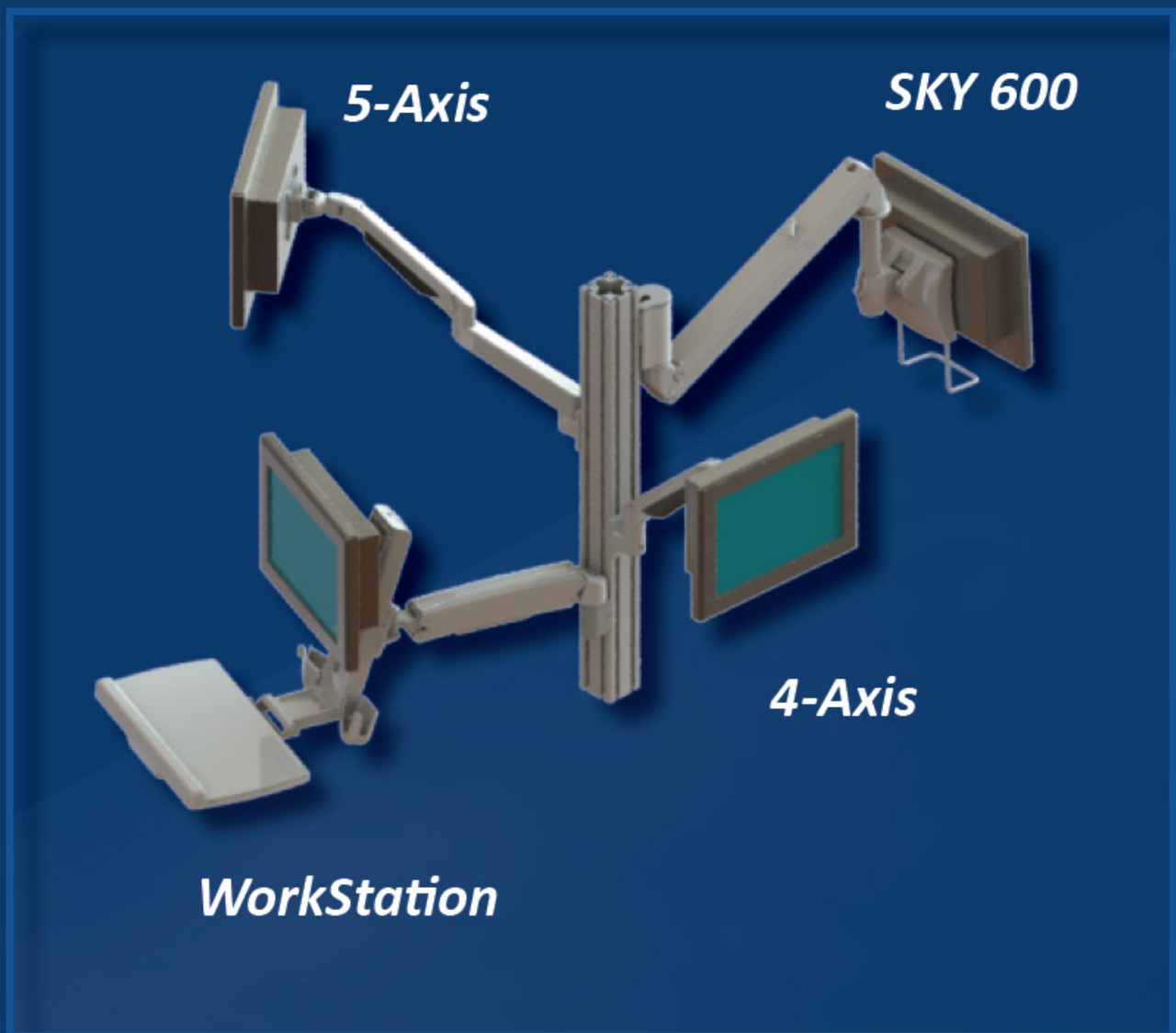


simply
practical



Monitor Arms 2022

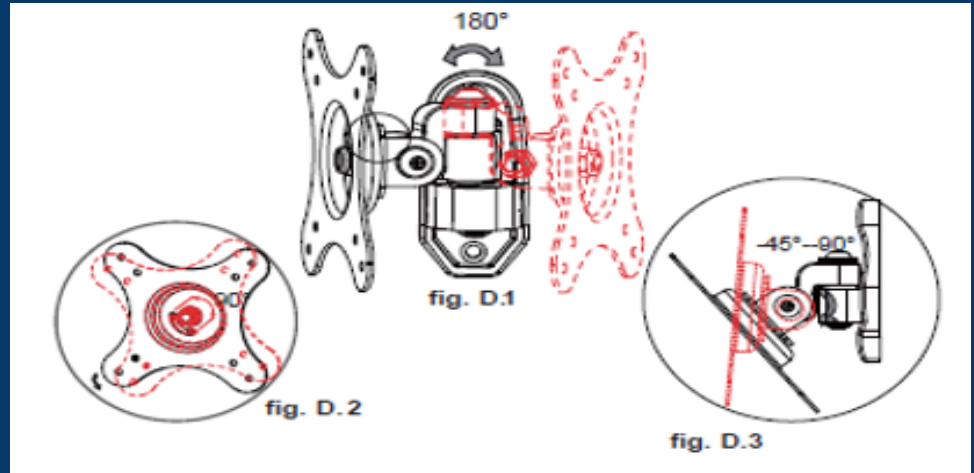


Economy Swivel Monitor Mounts

Benefits:

- Ready to Use Monitor Mounts
- Hardware included to mount to walls or extrusion
- Vesa 75 and 100 Mounting
- Flanged Fixation Plate to Mount Vertically or Horizontally to Any Slot 8 and Slot 10 Profiles
- Easiest Way to Add Monitors or Control Boxes to Any Workstation

**NEW
2022**



- Rotational Angle of Head is 180 deg. as shown in Fig. D.1
- Rotational Angle of Adapter is 90 Deg. as shown in Fig. D.2
- Tilt Angle of adapter is 45 Deg. Up and 90 Deg. Down as shown in Fig. D.3
- Supports Screens 10 in. to 24 in.
- Max. Load Capacity: 30 lbs. (15 kg.)

| Description | FATH Part No: |
|-------------------------------------------|-----------------|
| Economy Swivel Monitor Mount - Short Arm | 061ESMS75100S01 |
| Economy Swivel Monitor Mount - Medium Arm | 061ESMM75100S01 |
| Economy Swivel Monitor Mount - Long Arm | 061ESML75100S01 |

simply
practical

FATH®

PS

Monitor Suspension

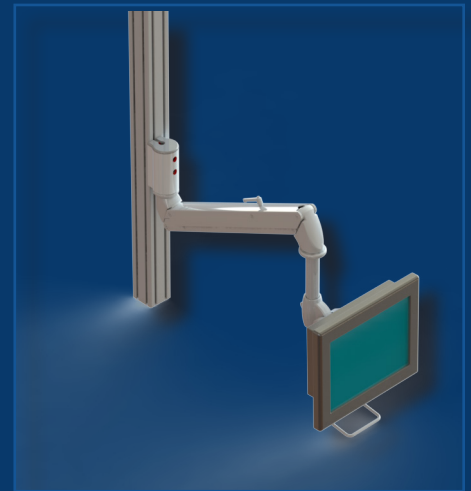
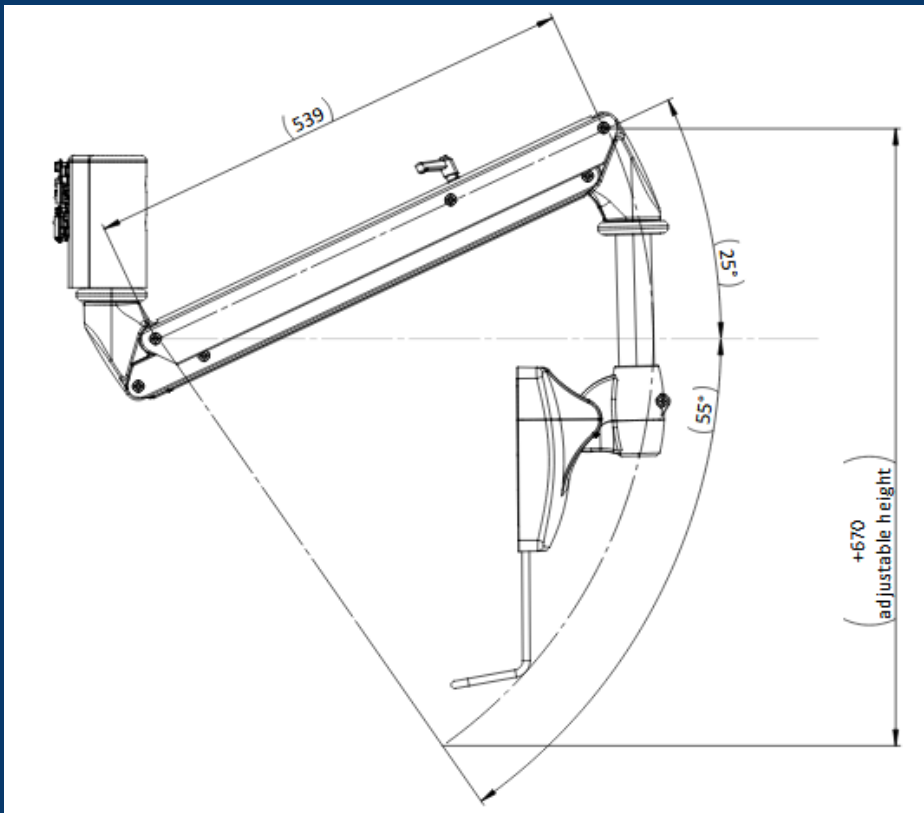
Arm "Sky 600"

Benefits:

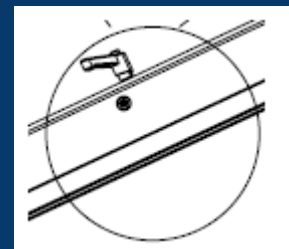
- 670mm of Vertical Adjustment - 360 deg. Pivoting Rotation
- Locking Handle to Allow Fixing Monitor at Set Height
- Vesa 75 and 100 Mounting
- Fixation Mount Vertically to Any Slot 8 and Slot 10 Profiles
- Great for Monitors 15-24 Inches

Fath Part # 6SHM75100S401F

NEW
2021



New - Locking Handle



simply
practical

FATH®

PS

Monitor Suspension

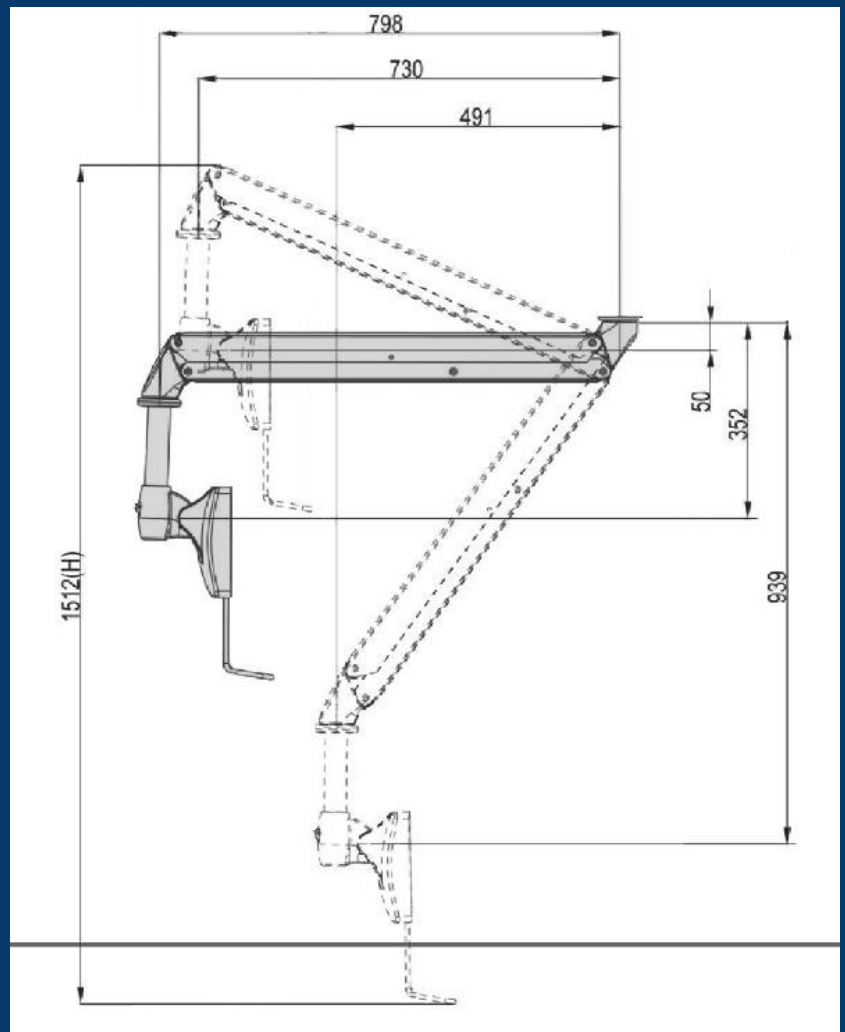
Arm "Sky 800"

Benefits:

- 889mm of Vertical Adjustment - 360 deg. Pivoting Rotation
- Adjustable Tension to Assist in Balancing
- Vesa 75 and 100 Mounting
- Fixation Mount Vertically to Any Slot 8 and Slot 10 Profiles
- Great for Monitors 15-24 Inches

NEW
2021

Fath Part # 6SHM75100S40IT



simply
practical

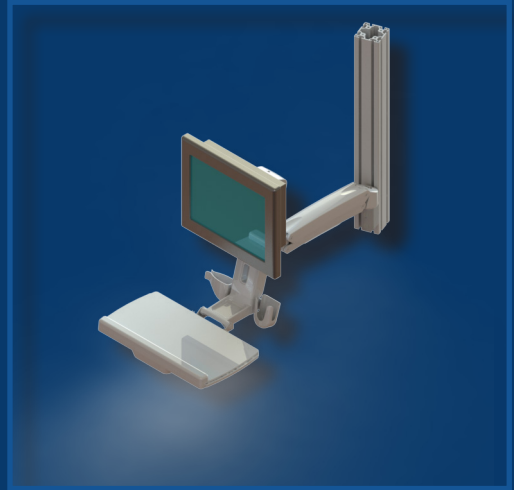
FATH®

PS

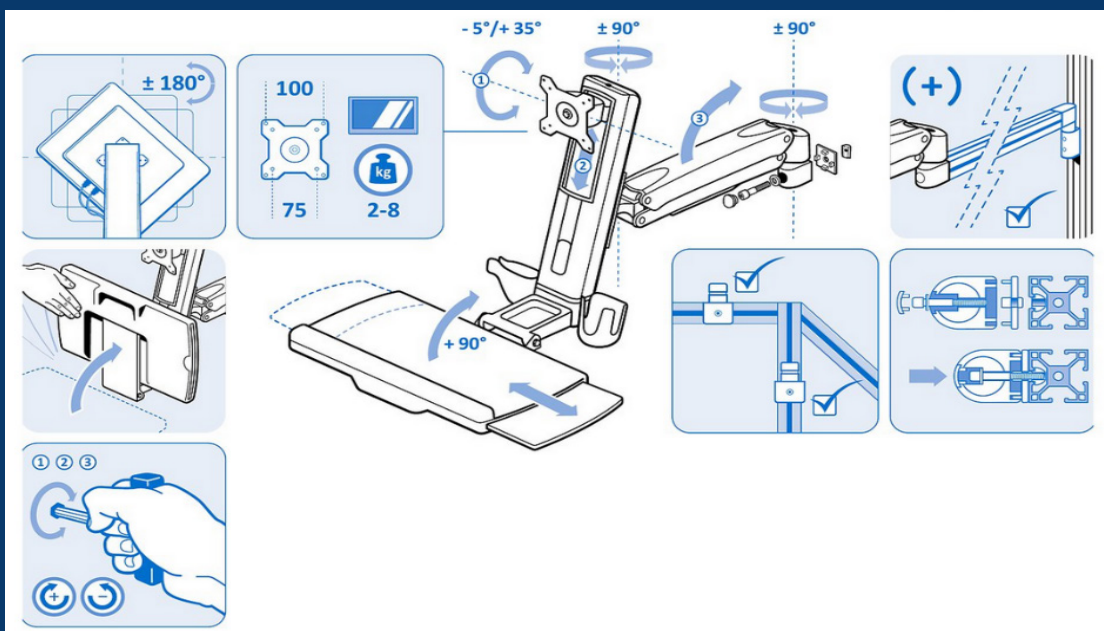
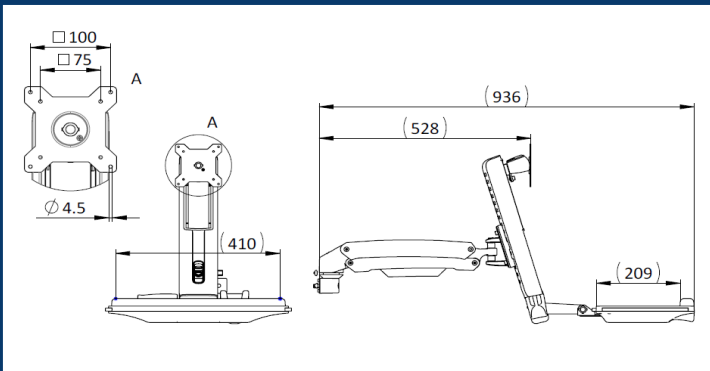
Monitor Workstation

Benefits:

- 435mm of Vertical Adjustment - 360 deg. Pivoting Rotation
- Keyboard Tray and Sliding Mouse Tray for RH or LH Users
- Vesa 75 and 100 Mounting
- Double Fixation Mounts Vertically to Any Slot 8 and Slot 10 Profiles
- Great for Monitors 2-8 Kg



Fath Part # 6MHM75100S40IT



simply
practical

FATH®

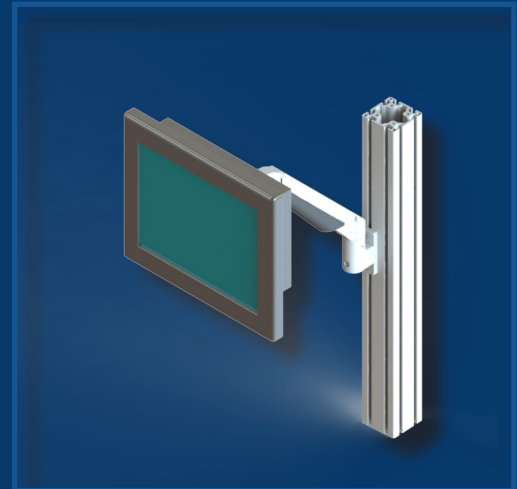
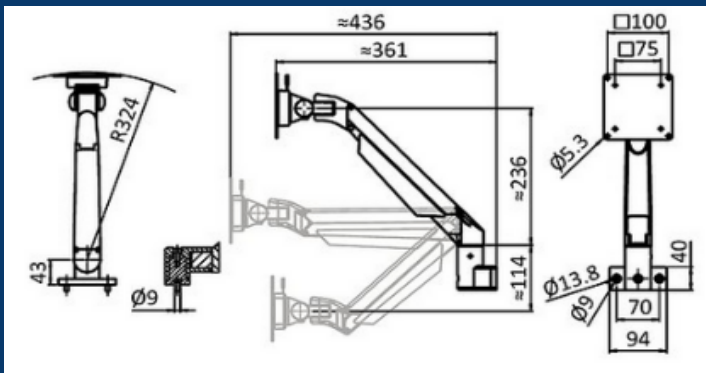
PS

Monitor Support

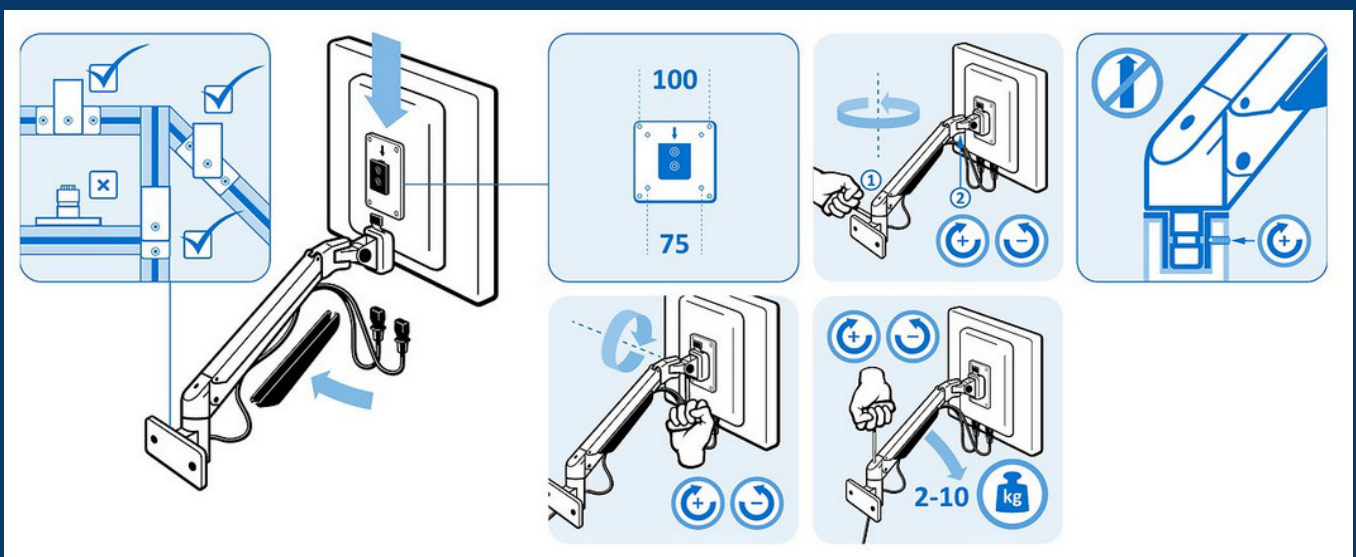
4-Axis

Benefits:

- 350mm of Vertical Adjustment - 360 deg. Pivoting Rotation
- Includes Cable Management Cover
- Vesa 75 and 100 Mounting
- Flanged Fixation Mount Vertically or Horizontally to Any Slot 8 and Slot 10 Profiles
- Great for Monitors 2-10 Kg



Fath Part # 6MHM75100S40



simply
practical

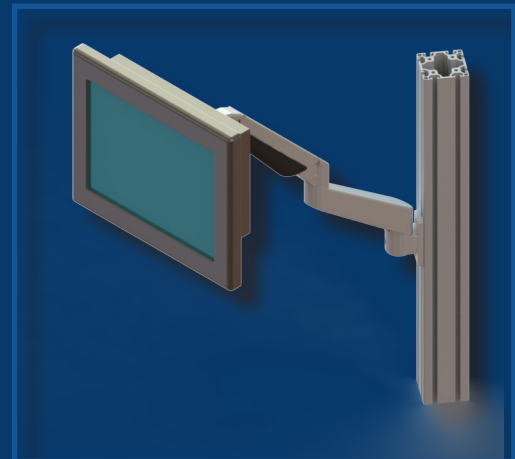
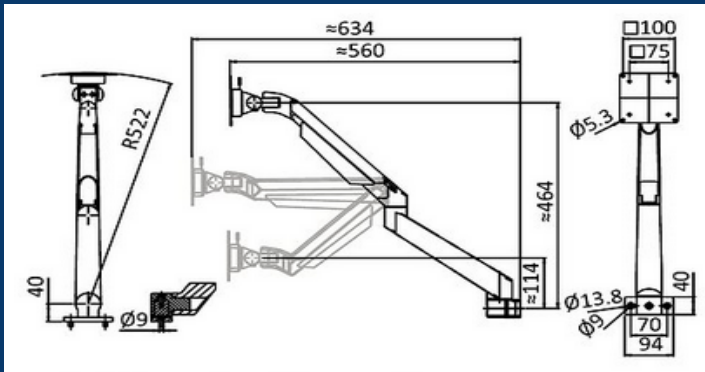


Monitor Support

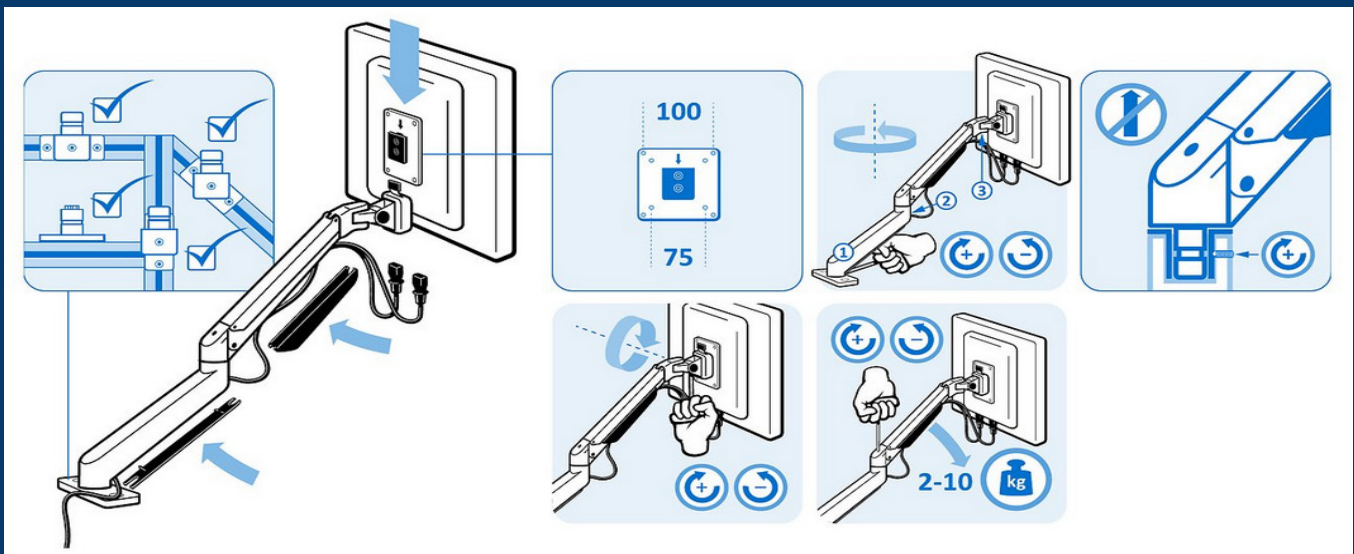
5-Axis

Benefits:

- 578mm of Vertical Adjustment - 360 deg. Pivoting Rotation
- Includes Cable Management Cover
- Vesa 75 and 100 Mounting
- Flanged Fixation Mount Vertically or Horizontally to Any Slot 8 and Slot 10 Profiles
- Great for Monitors 2-10 Kg



Fath Part # 6MHM75100D40



simply
practical



When you think about
Monitor Mounting...
Think Fath

FATH, Inc.

**6533 Hazeltine National Drive, Suite 3
Orlando, FL 32822
USA**

P: +1 407 - 601-5900

F: +1 407 - 601-5905

info.us@fath.net

www.fathinc.com