



ACP® HW

Datasheet

HW | Industrial Workstation (ACP® ThinManager)

DYNICS ACP® HW has an integrated PC in a sealed metal enclosure with ThinManager enabled. This workstation is designed for various applications and built for industrial environments.

Key Features

- NEMA 4 / NEMA 4X or IP65 Rated
- ACP® ThinManager Ready
- 24VDC (4-Pin)
- VESA / Wall Bracket Mount System with Up to 20° Tilt

Display Specifications

Size:	Resolution:	View Angle:	Contrast:	Brightness:	Aspect Ratio:
15.6"	FHD 1920 x 1080	H: -80°/+80°, V: -80°/+80°	800:1	600 nits	16:9
18.5"	FHD 1920 x 1080	H: -85°/+85°, V: -85°/+85°	1500:1	400 nits	16:9
21.5"	FHD 1920 x 1080	H: -89°/+89°, V: -89°/+89°	5000:1	300 nits	16:9
24"	FHD 1920 x 1080	H: -89°/+89°, V: -89°/+89°	3000:1	300 nits	16:9
Lens	5-Wire Analog Resistive (Touch Screen) / Protective Polycarbonate Lens (Non-Touch)				
LCD Life	50,000 Hour Backlight Half-Life				
Enclosure	Metal Enclosure with Powder Coat Finish / Stainless Steel Food Grade				

PC Specifications

Motherboard:	Bay Trail
I/O	2x RJ45 Ethernet Ports 2x USB 3.0 Ports
ACP® ThinManager	ACP® ThinManager Enabled
CPU	Intel® Bay Trail N2807
CPU Speed	1.58GHz Base, 2.16GHz Turbo (2 Cores, 2 Threads)
Memory	2GB DDR3
Power Supply	24VDC (4-Pin) Power Entry
Temperature	Operating: 0° - 50°C (32° - 122°F) Non-Operating: -25° - 60°C (-13° - 140°F)
Relative Humidity	Non-Condensing: 20% - 80%
Shock	Operating: 10G Non-Operating: 15G
Vibration	Operating: 1.0G from 57~2000Hz Non-Operating: 2.5G from 57~2000Hz
Compliance	European Union Directive 2011/65/EU (RoHS)
Warranty	24-Month limited warranty. Extended h available, contact DYNICS for details.





ACP® HW

Datasheet

Dimensions, Weights and Power Consumptions

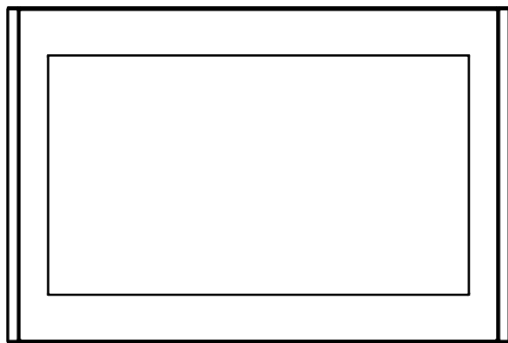
	15"	19"	22"	24"
Height:	11.750" (298.5mm)	13.050" (331.5mm)	15.030" (381.8mm)	15.380" (402.1mm)
Width:	17.538" (445.5mm)	19.807" (503.1mm)	22.606" (574.2mm)	24.813" (630.3mm)
Depth: (Without Mounting Brackets)	3.300" (83.8mm)	3.300" (83.8mm)	3.300" (83.8mm)	3.300" (83.8mm)
Depth: (With Mounting Brackets)	6.800" (172.7mm)	6.800" (172.7mm)	6.800" (172.7mm)	6.800" (172.7mm)
Weight:	25 lbs.*	29 lbs.*	35 lbs.*	37 lbs.*
Power Consumption:	40 Watts**	45 Watts**	55 Watts**	85 Watts**

*Weights are approximate, contact DYNICS for details.

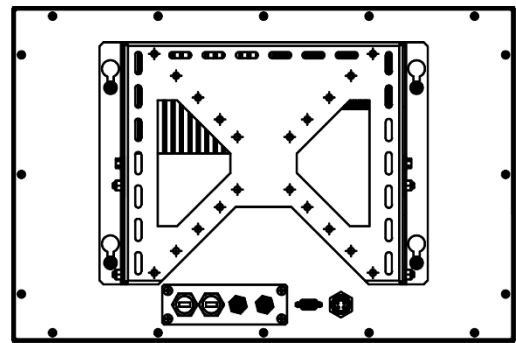
**Power Consumption based on maximum ratings, actual ratings vary significantly based on components used.

Mechanical Drawings

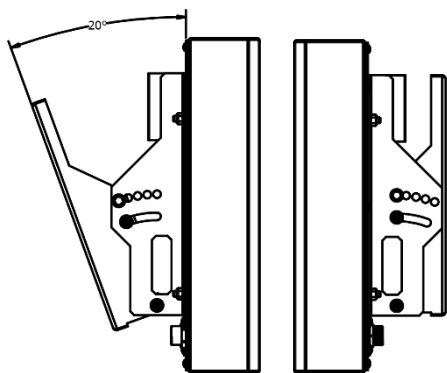
Front View



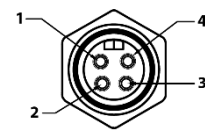
Back View



Side View



Power Entry (4-Pin) 24VDC



- 1 0VDC
- 2 0VDC
- 3 +24VDC
- 4 +24VDC

All measurements are in inches and pounds, unless noted. Pictures and drawings are not to scale. Estimated weight may change depending on options. DYNICS reserves the right to change, modify, upgrade, or discontinue any part of this datasheet without any prior notice.

