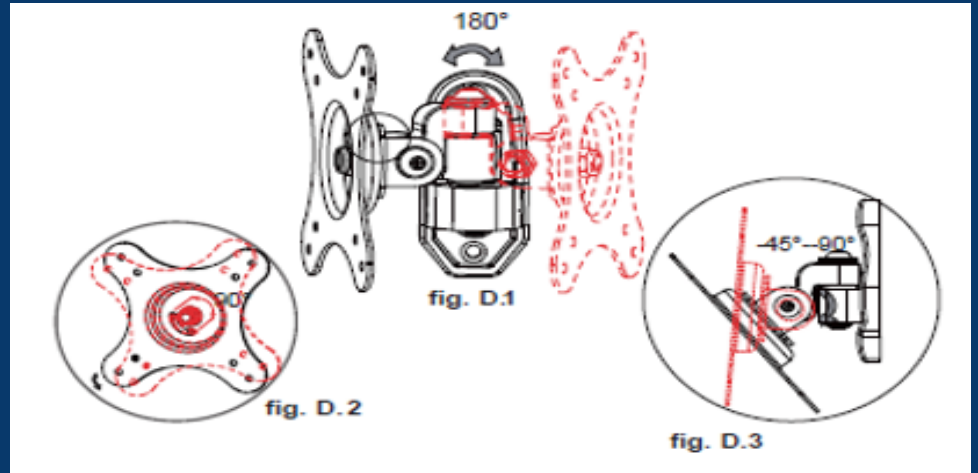


Economy Swivel Monitor Mounts

Benefits:

- Ready to Use Monitor Mounts
- Hardware included to mount to walls or extrusion
- Vesa 75 and 100 Mounting
- Flanged Fixation Plate to Mount Vertically or Horizontally to Any Slot 8 and Slot 10 Profiles
- Easiest Way to Add Monitors or Control Boxes to Any Workstation



- Rotational Angle of Head is 180 deg. as shown in Fig. D.1
- Rotational Angle of Adapter is 90 Deg. as shown in Fig. D.2
- Tilt Angle of adapter is 45 Deg. Up and 90 Deg. Down as shown in Fig. D.3
- Supports Screens 10 in. to 24 in.
- Max. Load Capacity: 30 lbs. (15 kg.)

Description	FATH Part No:
Economy Swivel Monitor Mount - Short Arm	061ESMS75100S01
Economy Swivel Monitor Mount - Medium Arm	061ESMM75100S01
Economy Swivel Monitor Mount - Long Arm	061ESML75100S01