

ThinManager® Xi-Series

Datasheet

MINI | Industrial Computer (ThinManager Enabled)

DYNICS ThinManager® Xi-Series features core embedded processors in a compact form factor that is ThinManager enabled. Making these five minicomputers powerful and effective for various production applications. Their fan-less design with no moving parts, make them suitable solutions in industrial environments. The XiR2-TM offers multi-monitor capabilities with up to four 4K HDMI connections.

Key Features

- ThinManager Ready
- Fan-less (No Moving Parts)
- Aluminum Heatsink
- 24VDC
- DIN Rail and Bracket Mounting Options (XiS N/A)
- IP65 Sealed Version (XiS)



PC SPECIFICATIONS

Model	XiAD-TM-001	XiAN-TM-001	XiA2-TM-001	XiR2-TM-001	XiS-TM-001
TYPE	Desktop IP20	IP50 Sealed	IP50 Sealed	IP50 Sealed	IP65 Sealed
I/O PORTS					
1Gb Ethernet Ports	2x	2x	2x	2x	2x (X-Code)
USB 3.0 Ports	2x	2x	2x	2x	3x
USB 2.0 Ports	-	-	4x	4x	-
RS-232/422/485 Ports	-	-	1x	2x	-
RS-232 Ports	-	-	1x	-	-
Analog VGA Video Ports	1x	1x	1x	-	-
HDMI Ports	1x	1x	1x	4x	-
DVI Ports	-	-	-	-	4x
Audio Jack (Line Out)	1x	1x	1x	-	-
CPU	Intel Apollo Lake N3350			AMD Ryzen V1605B	
CPU Speed	Up to 2.4GHz Turbo			Up to 3.6 GHz Turbo	
Memory	2MB Cache, 2 Cores, 2 Threads			4MB Cache, 4 Cores, 8 Threads	
ThinManager ID	4GB DDR3			8GB DDR4	
ThinManager Server System Requirements	BTMA (shown in ThinManager S/W)			XIR (shown in ThinManager S/W)	
Power Supply	Minimum requirements ThinManager 11.0 or newer, ThinManager 12.0 recommended				
Temperature	ThinManager 11.x requires TermCap v.9.12.1.43				
Relative Humidity	ThinManager 12.0 requires TermCap v.12.1.42				
Compliance	Note: 4K resolution supported on all models, except XiS				
Warranty	24VDC Power Entry (3-Pin Quick Disconnect Included, Barrell Jack Input on XiAD, 4-PIN circular on XiS)				
OPTIONAL ACCESSORIES	XiAD-TM ships with 100-240 VAC Desktop Brick, Contact Dynics for External Power Supply Options for all other models.				
	Operating: 0° - 50°C (32° - 122°F)				
	Non-Operating: -25° - 60°C (-13° - 140°F)				
	Non-Condensing: 20% - 80%				
	EU: RoHS Directive				
	24-Month limited warranty. Extended warranty available, contact DYNICS for details.				
	PWR-24V-BRK-40W-BARREL	40 Watt AC to DC Desktop Brick Power Supply, 6 Ft US AC Power Cable, Barrel Jack DC Cable, For XiAD only			
	PWR-24V-BRK-40W-3PIN	40 Watt AC to DC Desktop Brick Power Supply, 6 Ft US AC Power Cable, 3-PIN DC Cable, Recommended for XiAN, and XiA2 only			
	PWR-24V-BRK-65W-3PIN	65 Watt AC to DC Desktop Brick Power Supply, 6 Ft US AC Power Cable, 3-PIN DC Cable, Recommended for XiR, Will work with XiAN, and XiA2			
	PWR-24V-2.5ADC-ECO-RAIL	ECO-RAIL-2 Industrial DIN Rail Mount 60 W Power Supply, 90-264 VAC Input, 24VDC, 2.5ADC Output, , Recommended for XiAN, and XiA2 only			
	PWR-24V-5ADC-ECO-RAIL	ECO-RAIL-2 Industrial DIN Rail Mount 120 W Power Supply, 90-130 or 173-264 VAC Input, 24VDC, 5.0ADC Output, Recommended for XiR, Will work with XiAN, and XiA2			



ThinManager® Xi-Series

Datasheet

DIMENSIONS, WEIGHT AND POWER CONSUMPTION

	HEIGHT	WIDTH	DEPTH	WEIGHT*	POWER CONSUMPTION**
XiAD-TM	8.86" (224.9mm)	2.05" (52.1mm) Desktop Stand: 4.4" (111.9mm)	5.1" (129.5mm) Desktop Stand: 6.5" (165.1mm)	2.7 lbs. (1.2kg)	15 Watts
XiAN-TM	7.1" (180.3mm)	1.93" (48.9mm)	5.1" (129.5mm)	2.5 lbs. (1.1kg)	15 Watts
XiA2-TM	7.1" (180.3mm)	3.15" (80.0mm)	5.1" (129.5mm)	3 lbs. (1.4kg)	16 Watts
XiR2-TM	7.1" (180.3mm)	3.15" (80.0mm)	5.1" (129.5mm)	3 lbs. (1.4kg)	65 Watts
XiS-TM	4.0 (101.6mm)	9.1 (231.2mm)	9.0 (228.6mm)	9.0 (4.1kg)	65 Watts

*Weights are approximate, contact DYNICS for details.

**Power Consumption based on maximum ratings, actual ratings vary significantly based on components used.

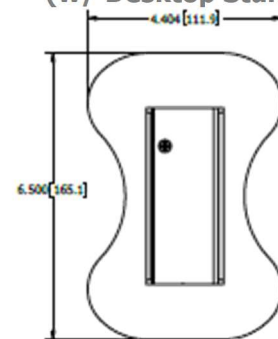
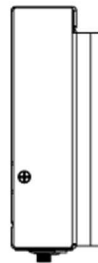
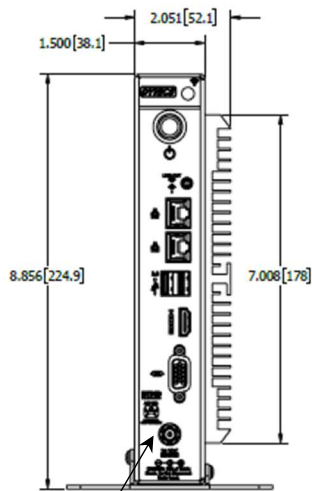
MECHANICAL DRAWINGS

XiAD-TM

XiAD FRONT VIEW

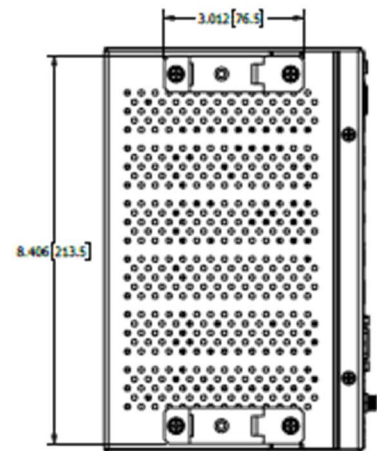
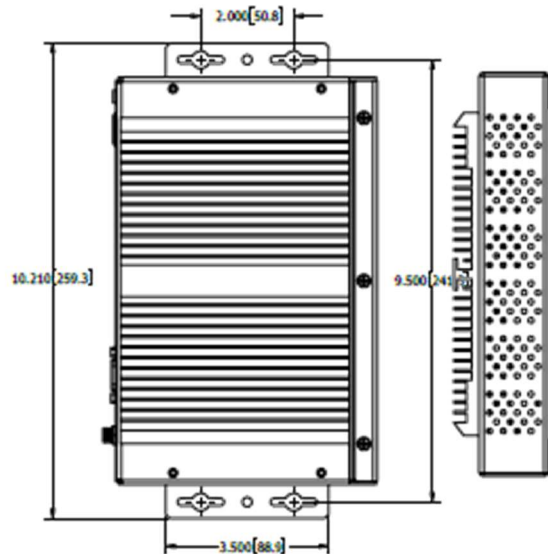
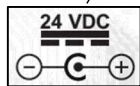
TOP VIEW

BOTTOM VIEW
(w/ Desktop Stand)



SIDE VIEW (w/ Panel Mount Brackets)

SIDE VIEW (w/ DIN Rail Mounts)



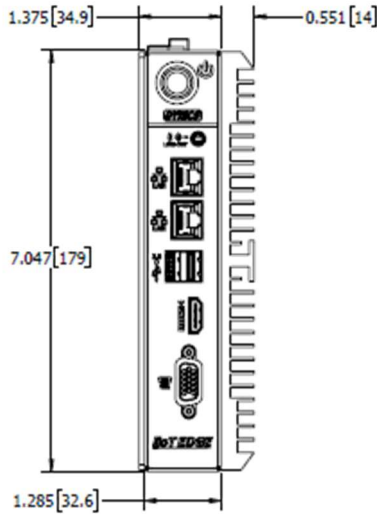
All measurements are in inches and pounds, unless noted. Pictures and drawings are not to scale. Estimated weight may change depending on options. DYNICS Reserves the right to change, modify, upgrade, or discontinue any part of this datasheet without any prior notice.

ThinManager® Xi-Series

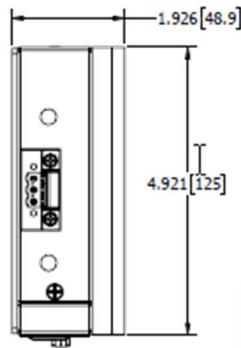
Datasheet

XiAN-TM

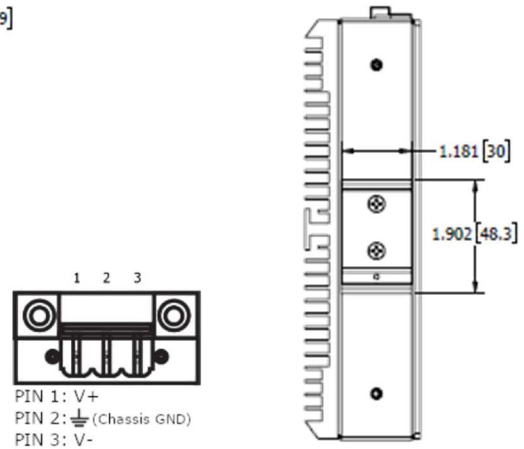
XiAN FRONT VIEW



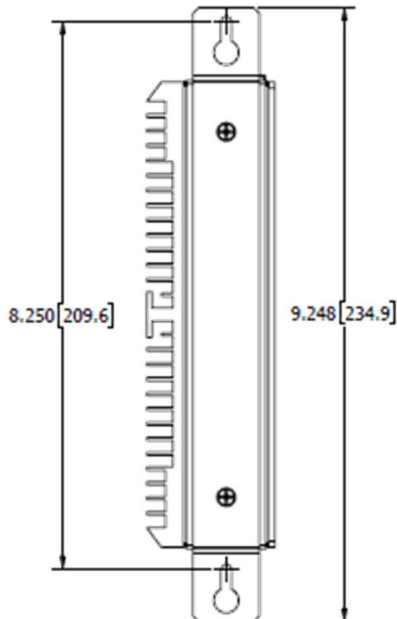
TOP VIEW



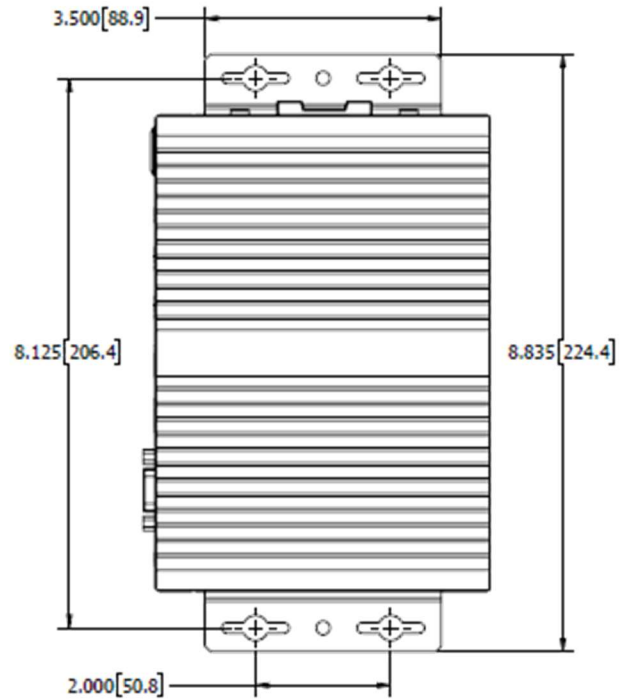
BACK VIEW (DIN Mount)



BACK VIEW (w/ Panel Mount Brackets)



SIDE VIEW (w/ Shelf Mount Brackets)



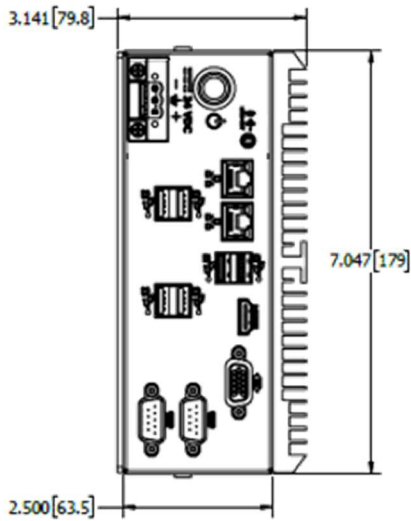
All measurements are in inches and pounds, unless noted. Pictures and drawings are not to scale. Estimated weight may change depending on options. DYNICS Reserves the right to change, modify, upgrade, or discontinue any part of this datasheet without any prior notice.

ThinManager® Xi-Series

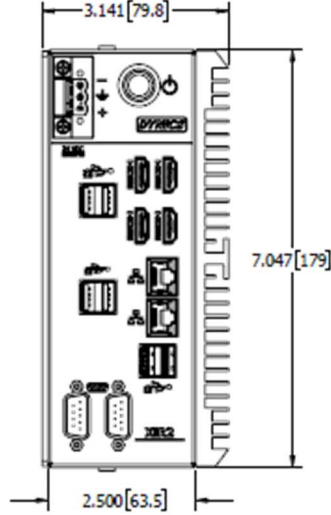
Datasheet

XiA2-TM and XiR2-TM

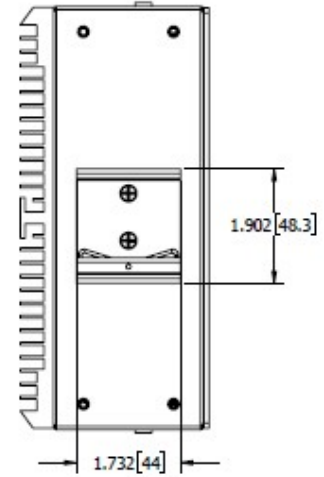
XIA2 FRONT VIEW



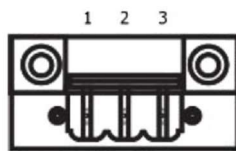
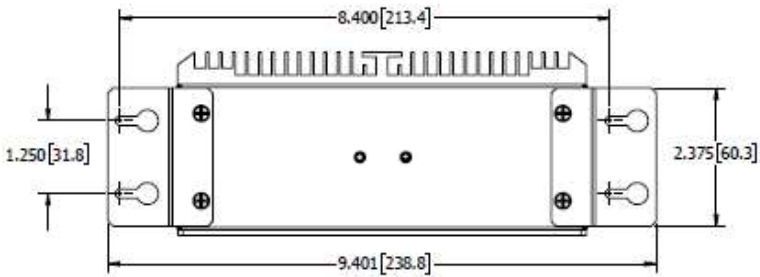
XIR2 FRONT VIEW



BACK VIEW (DIN Mount)

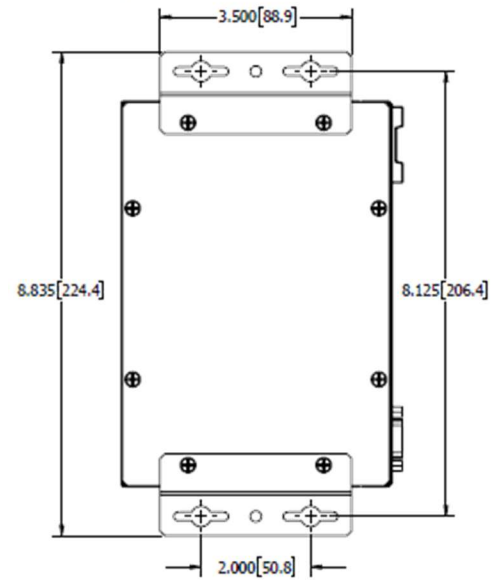


BACK VIEW (w/ Panel Mount Brackets)



PIN 1: V+
 PIN 2: \perp (Chassis GND)
 PIN 3: V-

SIDE VIEW (w/ Shelf Mount Brackets)

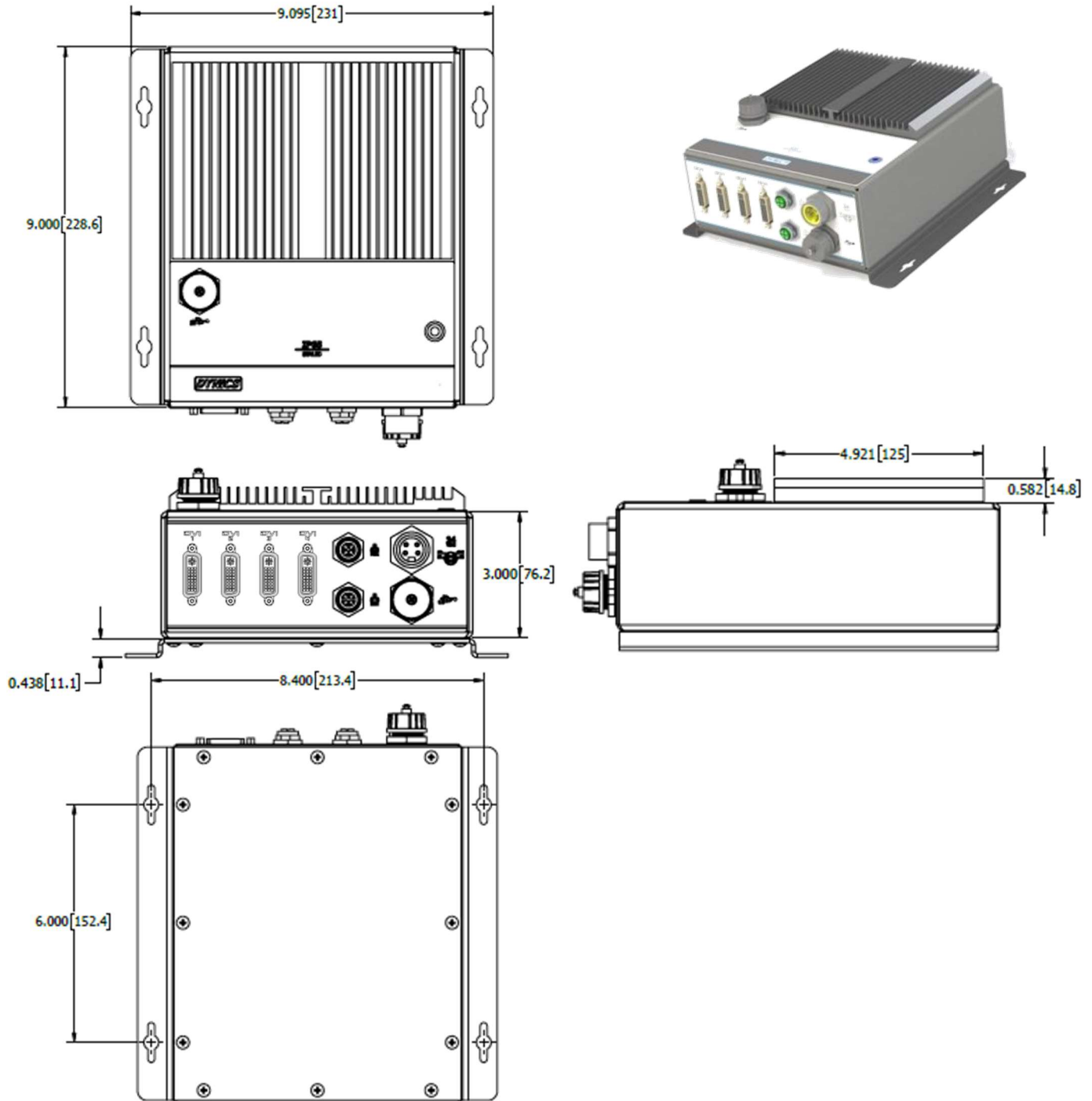


All measurements are in inches and pounds, unless noted. Pictures and drawings are not to scale. Estimated weight may change depending on options. DYNICS Reserves the right to change, modify, upgrade, or discontinue any part of this datasheet without any prior notice

ThinManager® Xi-Series

Datasheet

XiS-TM



All measurements are in inches and pounds, unless noted. Pictures and drawings are not to scale. Estimated weight may change depending on options. DYNICS Reserves the right to change, modify, upgrade, or discontinue any part of this datasheet without any prior notice