



**CW**

## CW | Large Format Display – ANDON Solution

DYNICS CW is a cost effective, metal-enclosed industrial display, powered by a DYNICS industrial computer. The CW can be mounted to a wall, ceiling or pole and can operate 24/7.

- **Optional Integrated PC**
- **100~240VAC**

### DISPLAY SPECIFICATIONS

SIZE	32"	42"	55"	75"
<b>RESOLUTION</b>	FHD 1920 x 1080	FHD 1920 x 1080	FHD 1920 x 1080	4K 3840 x 2160 (1920 x 1080 in Braswell)
<b>VIEW ANGLE</b>	H: -89°/+89° V: -89°/+89°	H: -89°/+89° V: -89°/+89°	H: -89°/+89° V: -89°/+89°	H: -89°/+89° V: -89°/+89°
<b>CONTRAST</b>	3000:1	4000:1	4000:1	4000:1
<b>BRIGHTNESS</b>	360 nits	500 nits	400 nits	400 nits
<b>ASPECT RATIO</b>	16:9	16:9	16:9	16:9
<b>LENS</b>	No Protective Lens / Polycarbonate Lens/ 75" Laminated Glass			
<b>LCD LIFE</b>	50,000 Hour Backlight Half-Life			
<b>ENCLOSURE</b>	NEMA 4 Powder Coat Finish (Black)			

### PC SPECIFICATIONS

COMPUTER I/O	MINI-ITX H110	MINI-ITX Braswell	ProAV (Monitor Only)	Pro4K (Monitor Only)
1Gb Ethernet Ports	1X	2X	-	-
USB 3.0 Ports	2x	2X	-	-
USB 2.0 Ports	2x	-	-	-
RS232/422/485 Port	-	1X	-	-
DisplayPort	1X	1x	1x	1x
HDMI Port	1x	-	1x	1x
DVI-D	1X	1X	-	-
VGA Input	-	-	1x	-
Audio Jacks	2x	-	1x	-
<b>CPU/CPU SPEED</b>	<b>6th Gen Quad Core™ i5-6500TE</b> , 2.3GHz Base , 3.3GHz Turbo (4 Cores, 4 Threads)	<b>Braswell N3160</b> 1.6GHz Base, 2.24GHz Turbo (4 Cores, 4 Threads)	N/A	N/A
<b>MEMORY</b>	Up to 32GB DDR4	8GB DDR3	N/A	N/A
<b>STORAGE</b>	240GB – 2TB SATA SSD / 1TB HDD			
<b>POWER SUPPLY</b>	100~240VAC Power Entry			
<b>OPERATING SYSTEM</b>	-Windows® 7 Professional (64-bit) - Windows® Embedded Standard 7 (64-bit) -Windows® 10 Enterprise IoT LTSC 2019 (64-bit) - Windows® 10 Enterprise Pro (64-bit) -Linux Ubuntu			
<b>TEMPERATURE</b>	Operating: 0°-50°C   32°-122°F Non-Operating: -25°-60°C   -13°-140°F			
<b>RELATIVE HUMIDITY</b>	Non-Condensing: 20% - 80%			
<b>INCLUDED</b>	1x 6 ft. Power Cable			
<b>COMPLIANCE</b>	European Union Directive 2011/65/EU (RoHS)			
<b>WARRANTY</b>	24-Month limited warranty. Extended warranty available, contact DYNICS for more details.			



**CW**



## DIMENSIONS, WEIGHT AND POWER CONSUMPTION

	<b>32"</b>	<b>42"</b>	<b>55"</b>	<b>75"</b>
<b>HEIGHT</b>	18.1" (460.9mm)	23.3" (594.2mm)	29.5" (750.9mm)	38" (965.2mm)
<b>WIDTH</b>	30.1" (765.7mm)	39.3" (1000.6mm)	50.4" (1280.4mm)	66.3" (1685.29mm)
<b>DEPTH</b>	3.5" (90.9mm)	3.2" (82.9mm)	3.2" (82.6mm)	4" (101.6mm)
<b>WEIGHT</b>	68 lbs.*	72 lbs.*	140 lbs.*	245 lbs.*

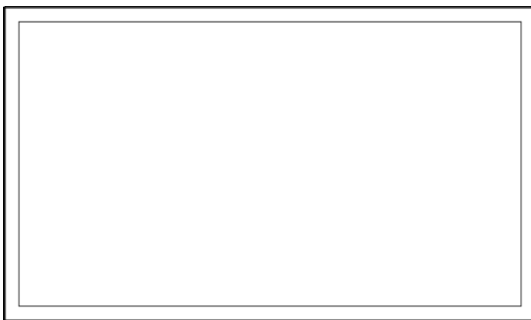
## POWER CONSUMPTION

	<b>32"</b>	<b>42"</b>	<b>55"</b>	<b>75"</b>
<b>Integrated PC</b>	140 Watts**	160 Watts**	170 Watts**	255 Watts**
<b>ProAV (Monitor Only)</b>	75 Watts**	100 Watts**	145 Watts**	N/A
<b>Pro4K (Monitor Only)</b>	N/A	N/A	N/A	230 Watts**

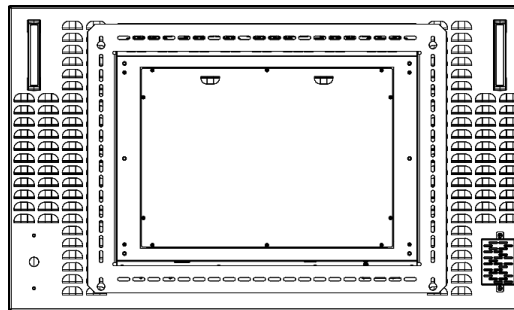
\* Weights are approximate, contact DYNICS for details.

\*\* Power consumption is based on maximum ratings, actual ratings vary significantly based on components used.

## MECHANICAL DRAWINGS FRONT VIEW



## BACK VIEW



## SIDE VIEW



## POWER ENTRY 100~240VAC



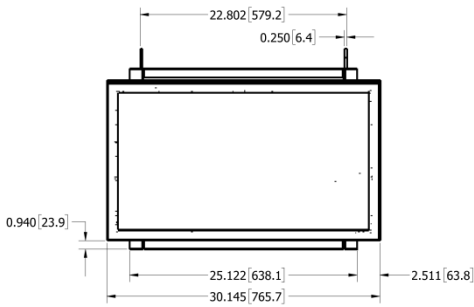
\*All measurements are in inches and pounds, , unless noted. Pictures and drawings are not to scale. Estimated weight may change depending on options. DYNICS Reserves the right to change, modify, upgrade, or discontinue any part of this datasheet without any prior notice.



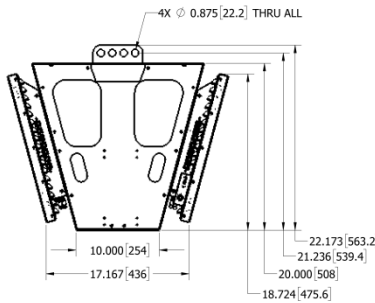


**CW**

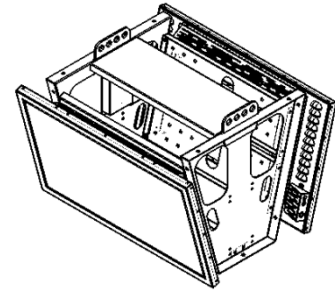
**MECHANICAL DRAWINGS  
FRONT VIEW (32")**



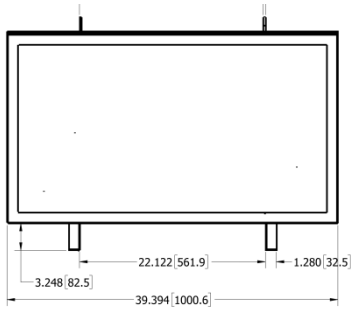
**SIDE VIEW (32")**



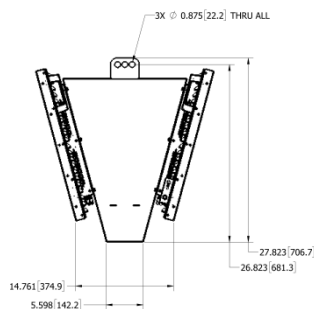
**ISOMETRIC VIEW (32")**



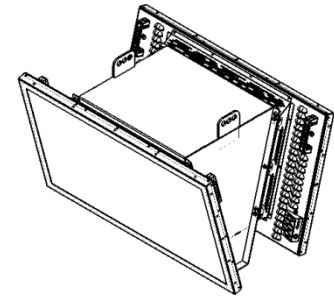
**FRONT VIEW (42")**



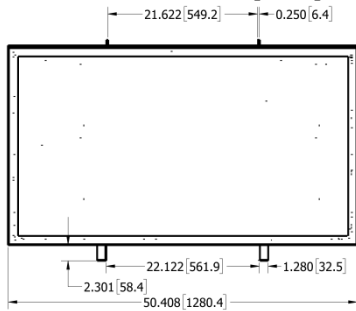
**SIDE VIEW (42")**



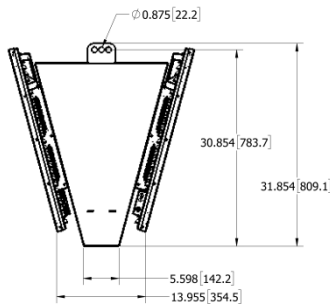
**ISOMETRIC VIEW (42")**



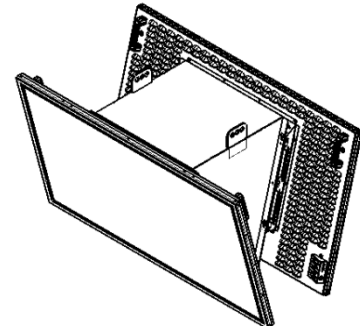
**FRONT VIEW (55")**



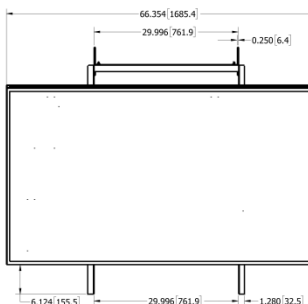
**SIDE VIEW (55")**



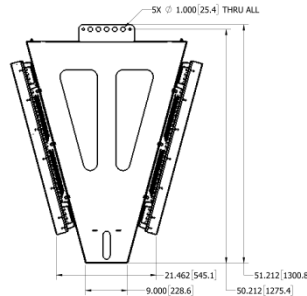
**ISOMETRIC VIEW (55")**



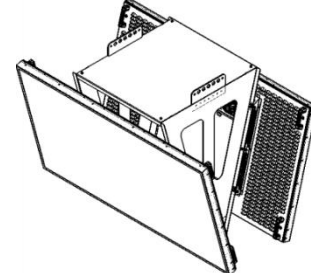
**FRONT VIEW (75")**



**SIDE VIEW (75")**



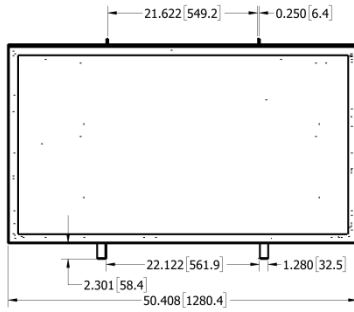
**ISOMETRIC VIEW (75")**



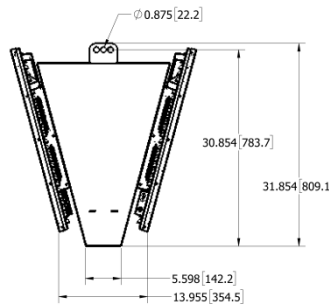
**CW**



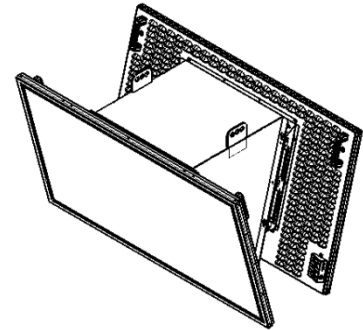
**FRONT VIEW (55")**



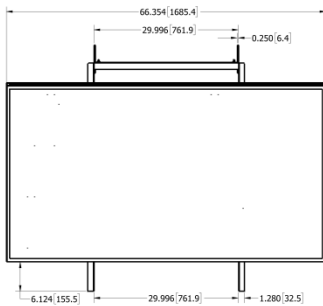
**SIDE VIEW (55")**



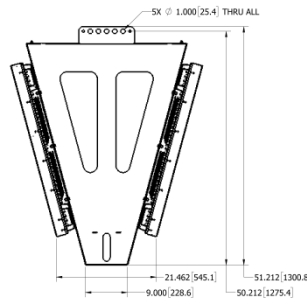
**ISOMETRIC VIEW (55")**



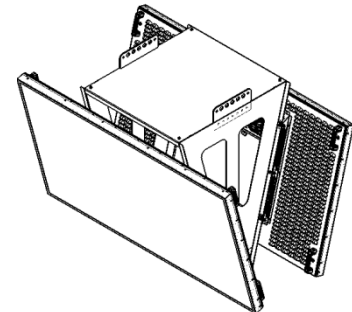
**FRONT VIEW (75")**



**SIDE VIEW (75")**



**ISOMETRIC VIEW (75")**



**Power Entry 100~240VAC**

