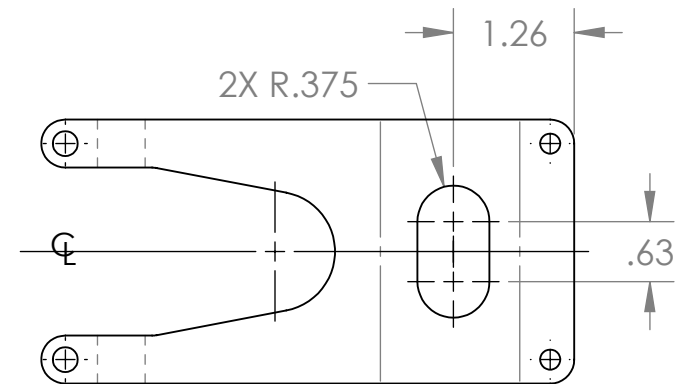
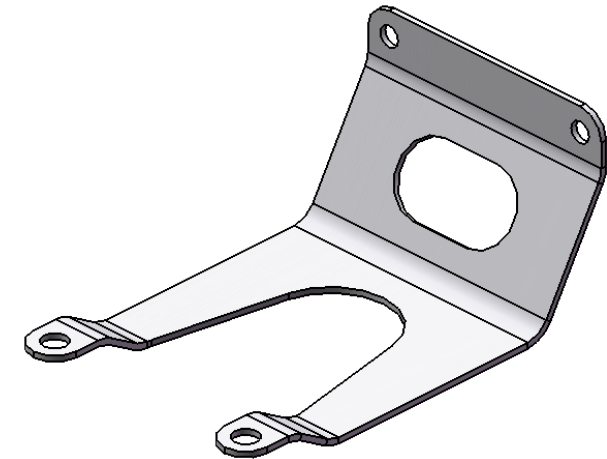
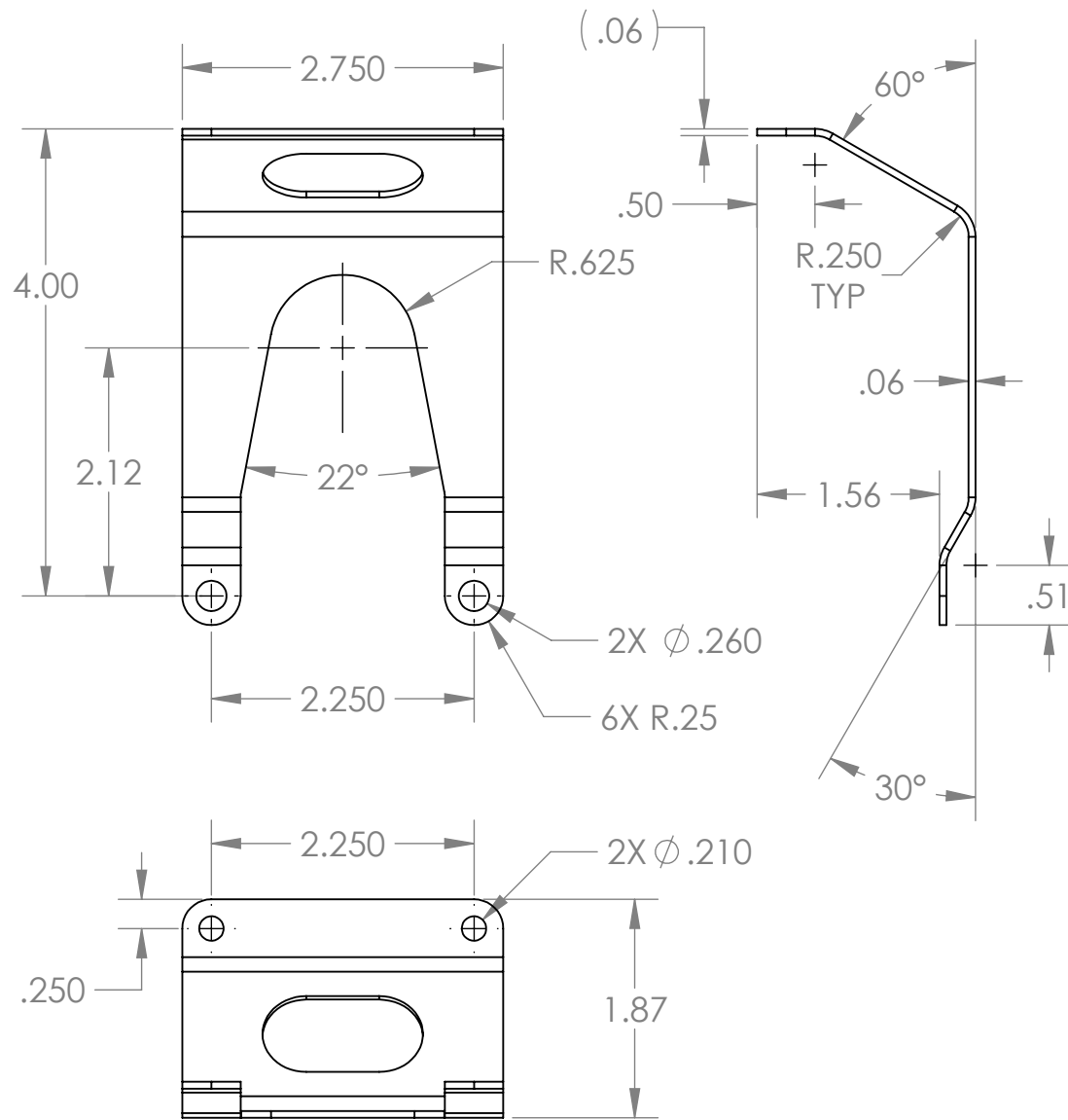


REVISIONS				
ECN#	REV.	DESCRIPTION	DATE	APPROVED
778				
3326	A	DELETED PEMS	1/8/14	RR
6546	B	REVISE DRAWING DETAILS FOR SUPPLIER'S PRODUCTION	5/17/23	WB



FLAT PATTERN

PROPRIETARY AND CONFIDENTIAL
 THE INFORMATION CONTAINED IN THIS DRAWING IS THE SOLE PROPERTY OF ICW USA.Com,Inc. ANY REPRODUCTION IN PART OR AS A WHOLE WITHOUT THE WRITTEN PERMISSION OF ICW USA.Com,Inc IS PROHIBITED.

DIMENSIONS ARE IN INCHES

TOLERANCES:
 FRACTIONAL ±
 ANGULAR: MACH ± BEND ±1°
 TWO PLACE DECIMAL ±.020
 THREE PLACE DECIMAL ±.005

MATERIAL
 6061-T6 ALUM / .063

FINISH
 NEW PART QUALITY

DO NOT SCALE DRAWING

	NAME	DATE
DRAWN	WN	04/10/09
CHECKED		
ENG APPR.		
MFG APPR.		
Q.A.		
COMMENTS:		

ALL EDGES MUST BE BURR FREE

ICW USA.Com, Inc
 1487 Kingsley Dr. Medford, OR 97504
 (541) 608-2824 Fax (541) 608-2797

DESCRIPTION:

ACCESSORY BRACKET

SIZE A	DWG. NO. B000T805	REV. B
------------------	-----------------------------	------------------

WEIGHT: SHEET 1 OF 1