



## LNP-1002G-10G-SFP

**10-Port Industrial Gigabit Unmanaged Ethernet Switch with  
8\*10/100/1000Tx (PSE: 30W/Port) + 2\*10G SFP+ Slots**



Version 1.1 (July 2018)

**User Manual**



[www.antaira.com](http://www.antaira.com)

**© Copyright 2018 Antaira Technologies, LLC.**

All Rights Reserved

This document contains information, which is protected by copyright. Reproduction, adaptation or translation without prior permission is prohibited, except as allowed under the copyright laws.

**Trademark Information**

Antaira is a registered trademark of Antaira Technologies, LLC, Microsoft Windows and the Windows logo are the trademarks of Microsoft Corp. NetWare is the registered trademark of Novell Inc. WMM and WPA are the registered trademarks of Wi-Fi Alliance. All other brand and product names are trademarks or registered trademarks of their respective owners.

**Disclaimer**

Antaira Technologies, LLC. provides this manual without warranty of any kind, expressed or implied, including but not limited to the implied warranties of merchantability and fitness for a particular purpose. Antaira Technologies, LLC. may make improvements and/or changes to the product and/or specifications of the product described in this manual, without prior notice. Antaira Technologies, LLC. will not be liable for any technical inaccuracies or typographical errors found in this guide. Changes are periodically made to the information contained herein and will be incorporated into later versions of the manual. The information contained is subject to change without prior notice.

## **FCC Notice**

This equipment has been tested and found to comply with the limits for a Class-A digital device, pursuant to Part 15 of the FCC rules. These limits are designed to provide reasonable protection against harmful interference in a residential installation. This equipment generates, uses, and can radiate radio frequency energy. It may cause harmful interference to radio communications if the equipment is not installed and used in accordance with the instructions. However, there is no guarantee that interference will not occur in a particular installation. If this equipment does cause harmful interference to radio or television reception, which can be determined by turning the equipment off and on, the user is encouraged to try to correct the interference by one or more of the following measures:

- Reorient or relocate the receiving antenna.
- Increase the separation between the equipment and receiver.
- Connect the equipment into an outlet on a circuit different from that to which the receiver is connected.
- Consult the dealer or an experienced radio/TV technician for help.

**Caution:** Any changes or modifications not expressly approved by the grantee of this device could void the user's authority to operate the equipment.

## **CE Mark Warning**

This is a Class-A product. In a domestic environment, this product may cause radio interference in which case the user may be required to take adequate measures.

## **Industrial Ethernet Switches**

Industrial Grade Unmanaged Ethernet Switches

This manual supports the following models:

- LNP-1002G-10G-SFP

This document is the current official release manual. Please check our website ([www.antaira.com](http://www.antaira.com)) for any updated manual or contact us by e-mail ([support@antaira.com](mailto:support@antaira.com)).

# Table of Contents

<b>1. Overview .....</b>	<b>1</b>
1.1 Key Features.....	1
1.2 Package Contents.....	1
1.3 Safety Precaution.....	2
<b>2. Hardware Description .....</b>	<b>3</b>
2.1 Physical Dimensions.....	3
2.2 Front Panel .....	4
2.3 Top View .....	4
2.4 LED Indicators .....	5
2.5 Ethernet Ports .....	5
2.6 Cabling .....	6
2.7 Wiring the Power Inputs.....	8
2.8 Wiring the Fault Alarm Contact .....	8
<b>3. Mounting Installation .....</b>	<b>8</b>
3.1 DIN-Rail Mounting.....	9
3.2 Wall Mounting .....	10
<b>4. Hardware Installation .....</b>	<b>11</b>
4.1 Installation Steps.....	11
<b>5. Network Applications.....</b>	<b>12</b>
<b>6. Trouble Shooting .....</b>	<b>13</b>
<b>7. Technical Specifications .....</b>	<b>14</b>

# 1. Overview

Antaira Technologies new compact DIN-Rail industrial gigabit PoE+ unmanaged switch, the LNP-1002G-10G-SFP, features 8\*10/100/1000Tx Ethernet ports that support IEEE 802.3at high-power PoE (PSE: 30W/Port) and two 10G SFP+ slots for long-distance fiber connections. The device is designed with high EFT and ESD protection and supports extreme operating temperature environments (-40° to 60°C).

The LNP-1002G-10G-SFP provides extensive connectivity solutions for the continuously growing demand for bandwidth to support applications under a variety of outdoor or harsh environments, such as security surveillance, traffic monitoring, and campus or sport venue-wide network infrastructure.

## 1.1 Key Features

- System Interface/Performance
  - All RJ45 ports support the auto MDI/MDI-X function
  - Ethernet connectivity 8\*10/100/1000Tx RJ45 ports (PSE: 30W/Port)
  - Fiber connectivity with 2\*10G SFP+ slots
  - Store-and-forward switching architecture
  - 16K MAC address table
  - Jumbo frame support up to 9,216 bytes
  - Power line EFT protection: 2,000VDC; Ethernet ESD protection: 6,000VDC
- Power Input
  - DC 48~55V redundant power with a 6-pin removal terminal block
- Operating Temperature
  - Standard operating temperature model: -40°C ~ 60°C
- Case/Installation
  - IP30 protection
  - DIN-Rail and wall mount design

## 1.2 Package Contents

- 1 – Quick Installation Guide
- 1 – LNP-1002G-10G-SFP
- 1 – Set of wall-mounting brackets and screws
- 1 – DC cable – 18 AWG & DC jack 5.5 x 2.1mm

## 1.3 Safety Precaution

**Attention:** If the DC voltage is supplied by an external circuit, please use a protection device on the power supply input. The industrial Ethernet switch's hardware specs, ports, cabling information, and wiring installation will be described within this user manual.

## 2. Hardware Description

### 2.1 Physical Dimensions

Figure 2.1, below, shows the physical dimensions of Antaira Technologies' LNP-1002G-10G-SFP series: 10-port industrial PoE+ gigabit unmanaged Ethernet switch with 8\*10/100/1000Tx RJ45 ports (PSE: 30W/Port) + 2\*10G SFP+ slots.

(W x D x H) is **54mm x 99mm x 142mm**

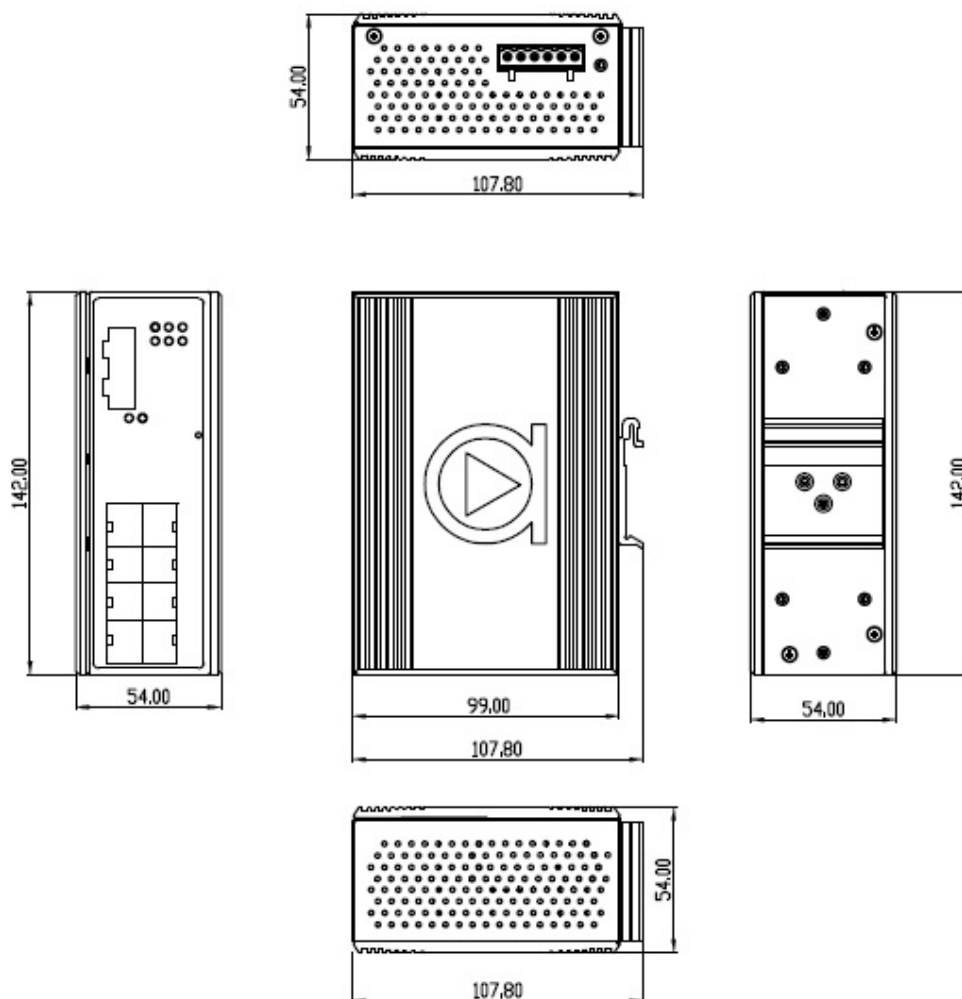


Figure 2.1

## 2.2 Front Panel

The front panel of the LNP-1002G-10G-SFP: 10-port Industrial PoE+ Gigabit unmanaged Ethernet switch with 8\*10/100/1000Tx RJ45 ports (PSE: 30W/Port) and 2\*10G SFP+ slots. See *Figure 2.2*.

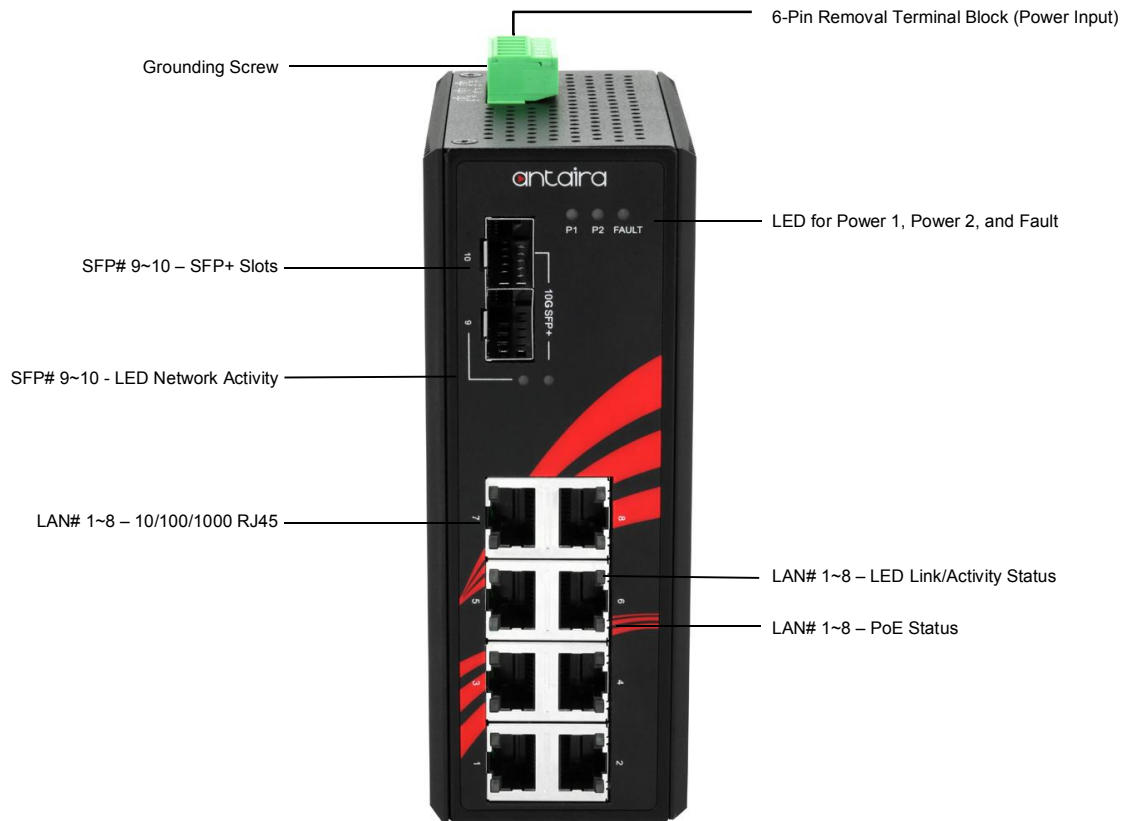


Figure 2.2

## 2.3 Top View

Figure 2.3, below, shows the top panel of the LNP-1002G-10G-SFP switch that is equipped with one 6-pin removal terminal block connector for dual DC power inputs (48-55 VDC).

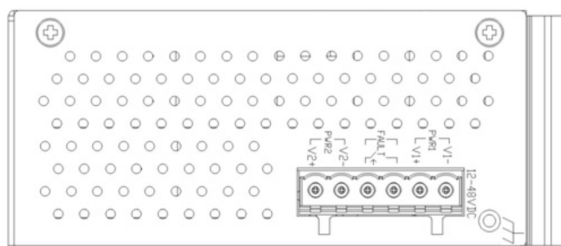


Figure 2.3



## 2.4 LED Indicators

There are LED light indicators located on the front panel of the industrial Ethernet switch that display the power status and network status. Each LED indicator has a different color and has its own specific meaning, see below in *Table 2.1*.



LED	Color	Description	
Power 1	Green	On	Power input 1 is active
		Off	Power input is inactive
Power 2	Green	On	Power input 2 is active
		Off	Power input is inactive
Fault	Red	On	Power input 1 or 2 is inactive
		Off	Both power input 1 and 2 are active
Link Activity (SFP Port)	Green	On	Connected to the network
		Flashing	Networking is active with 10G
		Off	Not connected to the network
LAN Port 1 ~ 8 (Upper LED)	Green 	On	Connected to network, 10/100/1000Mbps
		Flashing	Networking is active
		Off	Not connected to network
LAN Port 1 ~ 8 (Lower LED)	Green 	On	The port is supplying power to the powered-device
		Off	No powered-device connected or power supplying fails

Table 2.1

## 2.5 Ethernet Ports

### ■ RJ45 Ports (Auto MDI/MDIX):

The RJ45 ports are auto-sensing for 10/100/1000Base-Tx device connections. Auto MDI/MDIX means that the switch can connect to another switch or workstation without changing the straight-through or crossover cabling. See the figures shown on the next page for straight-through and crossover cabling schematics.

The following figures show the cabling schematics for straight-through and crossover cables:

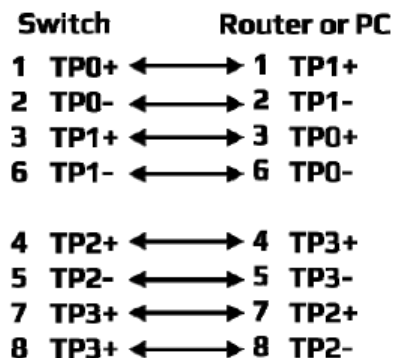


Figure 2.4  
Straight-Through Cables Schematic

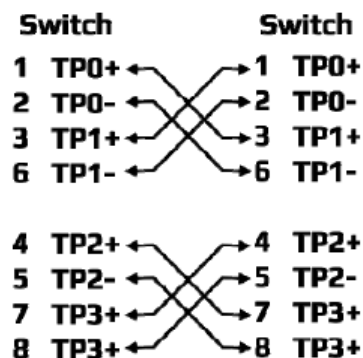


Figure 2.5  
Crossover Cables Schematic

The following figures show the 10,100, and 1000 Ethernet RJ45 pin outs.

Pin	Label
1	TP0+
2	TP0-
3	TP1+
4	TP2+
5	TP2-
6	TP1-
7	TP3+
8	TP3-

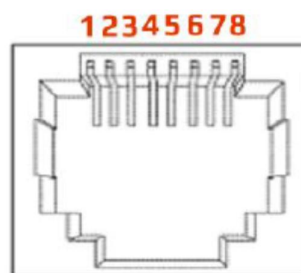


Figure 2.6  
RJ45 Ethernet Port Pin Outs

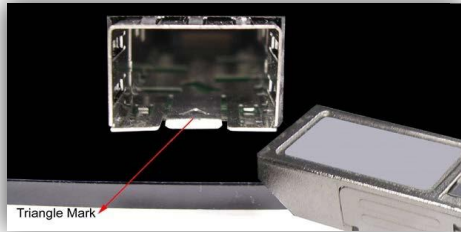
## 2.6 Cabling

- Twisted-pair segments can be connected with an unshielded twisted pair (UTP) or shielded twisted pair (STP) cable. The cable must comply with the IEEE 802.3u 100Base TX standard (e.g. Category 5, 5e, or 6, 6e). The cable between the equipment and the link partner (switch, hub, workstation, etc.) must be less than 100 meters (328 ft.) long.
- Note: Cable size should be between 18~20 AWG and the torque should be tightened to 5lbs.

The small form-factor pluggable (SFP) is a compact optical transceiver used in optical communications for both telecommunication and data communication applications.

- To connect the transceiver and LC cable, please follow the steps below:

First, insert the SFP transceiver module into the SFP slot as shown below in *Figure 2.7*. Notice that the triangle mark is at the bottom of the SFP slot. *Figure 2.8* shows SFP transceiver module was inserted.

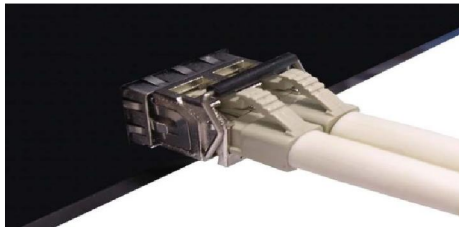


*Figure 2.7 - Transceiver to the SFP Module*



*Figure 2.8 - Transceiver Inserted*

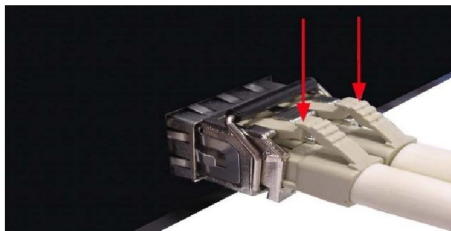
Second, insert the fiber cable of the LC connector into the transceiver as shown below in *Figure 2.9*.



*Figure 2.9 - LC Connector to the Transceiver*

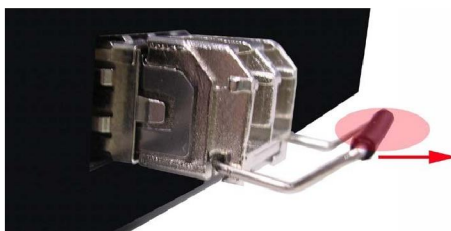
To remove the LC connector from the transceiver, please follow the steps shown below:

1. Press the upper side of the LC connector from the transceiver and pull it out to release as shown below in *Figure 2.10*.



*Figure 2.10 - Remove LC Connector*

2. Push down the metal clasp and pull the transceiver out by the plastic part as shown below in *Figure 2.11*.



*Figure 2.11 - Pull Out from the SFP Module*

## 2.7 Wiring the Power Inputs

Please follow the below steps to insert the power wire.

1. Insert the positive and negative wires into the PWR1 (V1+, V1-) and PWR2 (V2+, V2-) contacts on the terminal block connector as shown below in *Figure 2.12*.

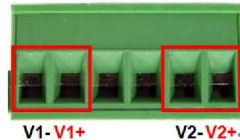


Figure 2.12 - Power Terminal Block

2. Tighten the wire-clamp screws to prevent the wires from loosening, as shown below in *Figure 2.13*.



Figure 2.13 - Power Terminal Block

**Note**

- Only use copper conductors, 60/75° C, tighten to 5 lbs.
- The wire gauge for the terminal block should range between 18~20 AWG.

## 2.8 Wiring the Fault Alarm Contact

The fault alarm contact is in the middle of the terminal block connector as the picture shows to the right in *Figure 2.14*. By inserting the wires, it will detect the fault status including power failure or port link failure (managed industrial switch only) and form a normally open circuit.

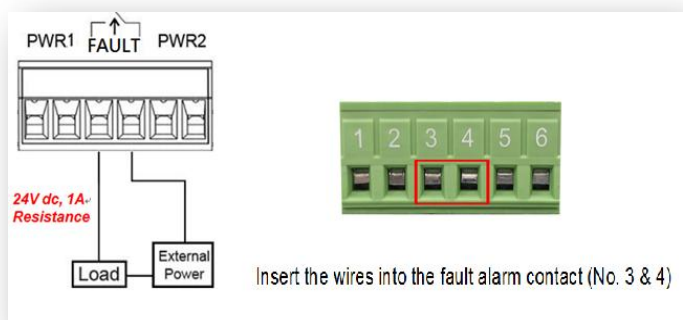


Figure 2.14

Wiring the Fault Alarm Contact

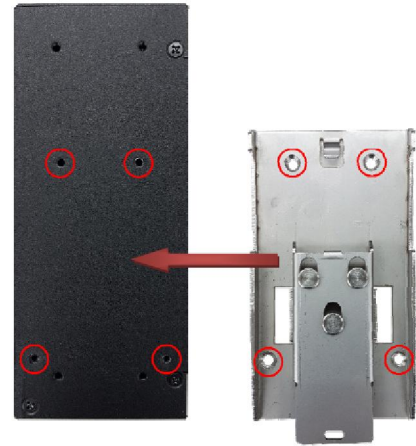
**Note**

- The wire gauge for the terminal block should range between 12 ~ 24 AWG.
- If only using one power source, jumper Pin 1 to Pin 5 and Pin 2 to Pin 6 to eliminate power fault alarm.

## 3. Mounting Installation

### 3.1 DIN-Rail Mounting

The DIN-Rail is pre-installed on the industrial Ethernet switch from the factory. If the DIN-Rail is not on the industrial Ethernet switch, please refer to *Figure 3.1* to learn how to install the DIN-Rail on the switch.



*Figure 3.1*

*The Rear Side of the Switch and DIN-Rail Bracket*

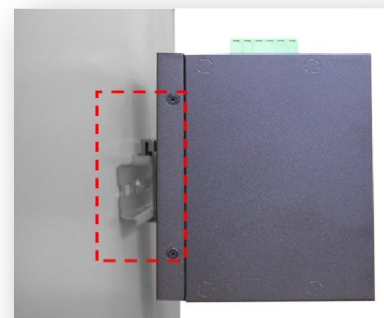
Follow the steps below to learn how to hang the industrial Ethernet switch.

1. Use the screws to install the DIN-Rail bracket on the rear side of the industrial Ethernet switch.
2. To remove the DIN-Rail bracket, do the opposite from step 1.
3. After the DIN-Rail bracket is installed on the rear side of the switch, insert the top of the DIN-Rail on to the track as shown below in *Figure 3.2*.
4. Lightly pull down the bracket on to the rail as shown below in *Figure 3.3*.
5. Check if the bracket is mounted tightly on the rail.
6. To remove the industrial Ethernet switch from the rail, do the opposite from the above steps.



*Figure 3.2*

*Insert the Switch on the DIN-Rail*



*Figure 3.3*

*Stable the Switch on DIN-Rail*

## 3.2 Wall Mounting

Follow the steps below to mount the industrial Ethernet switch using the wall mounting bracket as shown below in *Figure 3.4*.

1. Remove the DIN-Rail bracket from the industrial Ethernet switch by loosening the screws.
2. Place the wall mounting brackets on the top and bottom of the industrial Ethernet switch.
3. Use the screws to screw the wall mounting bracket on the industrial Ethernet switch.
4. Use the hook holes at the corners of the wall mounting bracket to hang the industrial Ethernet switch on the wall.
5. To remove the wall mount bracket, do the opposite from the steps above.

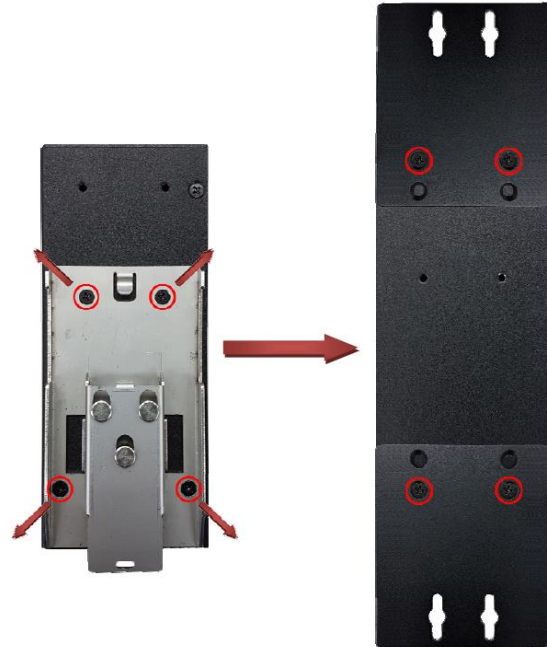


Figure 3.4

Remove DIN-Rail Bracket &  
Install Wall Mounting Brackets

Figure 3.5 below has the dimensions for the wall mounting bracket.

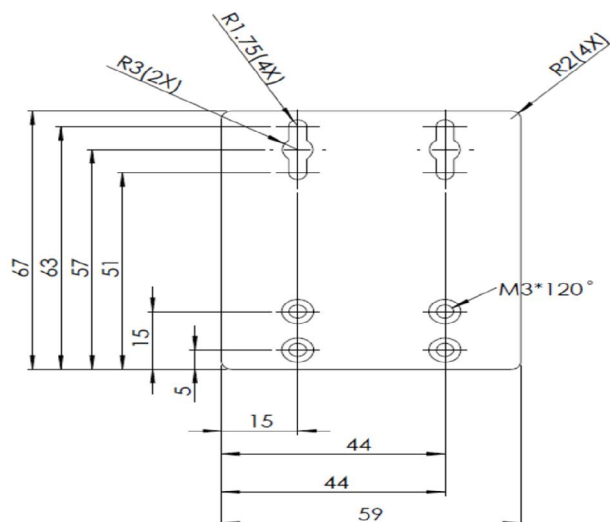


Figure 3.5 – Wall Mounting Bracket Dimensions

## 4. Hardware Installation

### 4.1 Installation Steps

This section will explain how to install Antaira Technologies' LNP-1002G-10G-SFP: 10-port industrial PoE+ gigabit unmanaged Ethernet switch with 8\*10/100/1000Tx RJ45 ports (PSE: 30W/Port) and 2\*10G SFP+ slots.

#### Installation Steps

1. Unpack the industrial Ethernet switch from the original packing box.
2. Check if the DIN-Rail bracket is screwed onto the industrial Ethernet switch.
  - If the DIN-Rail is not screwed onto the industrial Ethernet switch, please refer to the **DIN-Rail Mounting** section for DIN-Rail installation.
  - If it is required to wall mount the industrial Ethernet switch, please refer to the **Wall Mounting** section for wall mounting installation.
3. To hang the industrial Ethernet switch on a DIN-Rail or wall, please refer to the **Mounting Installation** section.
4. Power on the industrial Ethernet switch, then the power LED light will turn on.
  - For help on how to wire power, please refer to the **Wiring the Power Inputs** section.
  - Please refer to the **LED Indicators** section for LED light indication.
5. Prepare the twisted-pair, straight-through category 5 cable for Ethernet connection.
6. Insert one side of the RJ45 cable into the switch's Ethernet port and on the other side into the networking device's Ethernet port, e.g. switch PC or server.
  - The Ethernet port's (RJ45) LED on the industrial Ethernet switch will turn on when the cable is connected to the networking device.
  - Please refer to the **LED Indicators** section for LED light indication.
7. When all connections are set and the LED lights all show normal, the installation is complete.

## 5. Network Applications

**LNP-1002G-10G-SFP**  
**LNP-1002G-10G-SFP-24**

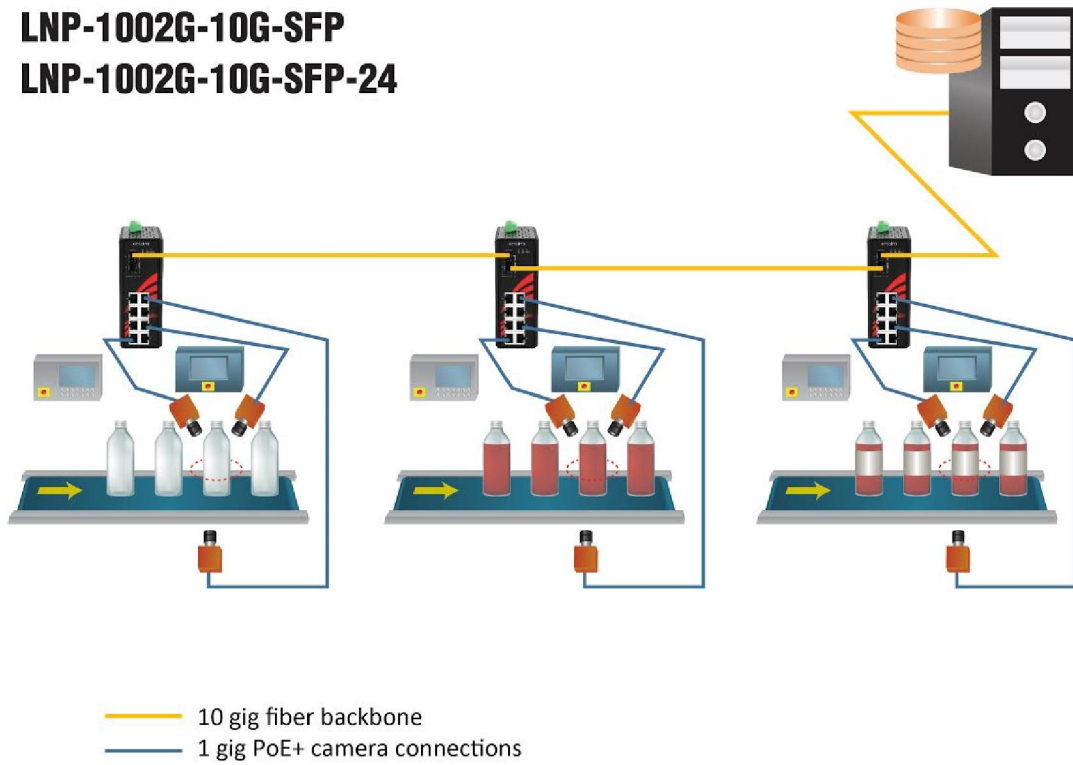


Figure 5.1

Industrial Ethernet Switch Application Reference



## 6. Trouble Shooting

- Always verify the right power cord or adapter is being used. Never use a power supply or adapter with a non-compliant DC output voltage or it will burn the equipment.
- Select the proper UTP or STP cable in order to construct the network. Use an unshielded twisted-pair (UTP) or shield twisted-pair (STP) cable for RJ45 connections: 100Ω Category 5e for 10/100/1000Mbps. Also be sure that the length of any twisted-pair connection does not exceed 100 meters (328 feet).
- **Diagnosing LED Indicators:** To assist in identifying problems, the switch can be easily monitored with the LED indicators which help to identify if any problems exist.
  - Please refer to the LED Indicators section for LED light indication.
- If the power indicator LED does not turn on when the power cord is plugged in, the user may have a problem with the power cord. Check for loose power connections, power losses, or surges at the power outlet.
  - Please contact Antaira for technical support service, if the problem still cannot be resolved.
- If the industrial switch LED indicators are normal and the connected cables are correct but the packets still cannot transmit, please check the system's Ethernet devices' configuration or status.

## 7. Technical Specifications

Table 7.1 has the technical specifications for Antaira Technologies' LNP-1002G-10G-SFP: 10-port industrial PoE+ gigabit unmanaged Ethernet switch with 8\*10/100/1000Tx (PSE: 30W/Port), and 2\*10G SFP+ slots.

<b>Standards</b>	IEEE 802.3 10Base-Tx Ethernet	
	IEEE 802.3u 100Base-Tx Fast Ethernet	
	IEEE 802.3ab 1000BaseTx	
	IEEE 802.3z 1000Base-X Gigabit Fiber	
	IEEE 802.3ae 10 Gigabit Ethernet	
	IEEE 802.3af/at Power Over Ethernet	
<b>Switch Property</b>	Protocol	CSMA/CD
	Data Process	Store and Forward
	Flow Control	IEEE 802.3x flow control, back pressure flow control
	Switch Architecture	Back-Plane: Non-Blocking Switching Fabric
	Transfer Rate	14,880pps for Ethernet port 148,800pps for Fast Ethernet port 1,488,000pps for Gigabit Ethernet port 14,880,000 for 10 Gigabit Ethernet port
	Memory Buffer	12 Mbytes
	MAC Table Size	16K
<b>Port Interface</b>	Ethernet (RJ45) Port	8*10/100/1000Tx, auto negotiation speed, full/half duplex mode, and auto MDI/MDI-X connection
	Fiber Port	2*10G SFP+ Slots
	Fiber Wavelength	Refer to SFP Modules
	LED Indicator	Power 1, Power 2, Fault Ethernet Ports: On-Link/Flash-data transmitting PoE Status SFP: Link/Active
	Network Cable	10Tx: 2-pair UTP/STP Cat.3,4,5 cable 100Tx: 2-pair UTP/STP Cat.5 cable 1000Tx: UTP/STP Cat.5/5E cable
<b>Mechanical Characteristics</b>	Housing	Metal IP30 protection
	Dimension	54 x 142 x 99 mm (W x H x D)
	Weight	Unit Weight: 3.0 lbs. Shipping Weight: 3.5 lbs.
	Mounting	DIN-Rail Mounting, wall-mounting (optional)
<b>Power Requirement</b>	Input Voltage	48~55VDC Redundant Input
	Power Connection	1 removable 6-contact terminal block
	Overload Current Protection	Present – Slow Blown Fuse
	Reverse Polarity Protection	Present
	Power Consumption	16 Watts for System
	PoE Power Output	30 Watts max. per PoE port
	Max PoE Power Budget	240 Watts

	Relay Contact	24VDC, 1A resistive
<b>Environmental Limits</b>	Operating Temperature	-40 to 60C (-40 to 140F)
	Operating Humidity	5% to 95% (Non-Condensing)
	Storage Temperature	-40 to 85C (-40 ~ 185F)
<b>Regulatory Approvals</b>	EMI	FCC Part 15 Subpart B Class A, CE EN 55022 Class A
	EMS	IEC61000-4-2 (ESD), IEC61000-4-3 (RS), IEC61000-4-4 (EFT), IEC61000-4-5 (Surge), IEC61000-4-6 (CS), IEC-61000-4-8 (Magnetic Field)
	Stability Testing	IEC60068-2-32 (Free fall) IEC60068-2-27 (Shock) IEC60068-2-6 (Vibration)
	Green	RoHS Compliant
	Warranty	5 Years

Table 7.1

**Antaira Customer Service and Support**

(Antaira US Headquarter) + 844-268-2472

(Antaira Europe Office) + 48-22-862-88-81

(Antaira Asia Office) + 886-2-2218-9733

**Please report any problems to Antaira:**

[www.antaira.com](http://www.antaira.com) / [support@antaira.com](mailto:support@antaira.com)

[www.antaira.eu](http://www.antaira.eu) / [info@antaira.eu](mailto:info@antaira.eu)

[www.antaira.com.tw](http://www.antaira.com.tw) / [info@antaira.com.tw](mailto:info@antaira.com.tw)

Any changes to this material will be announced on the Antaira website.