

Electronic thermostat 301511



Product Features

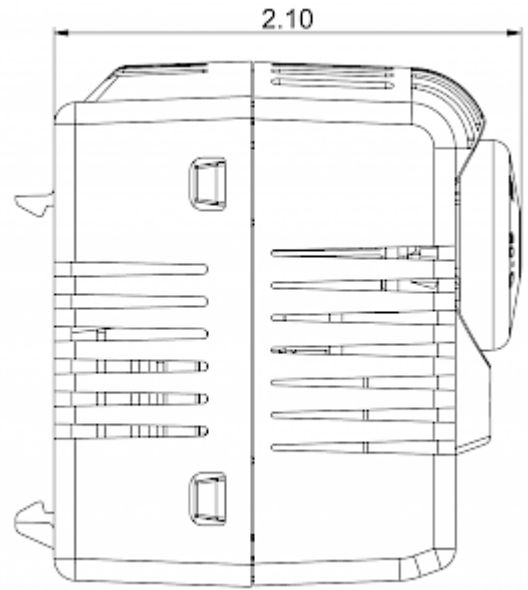
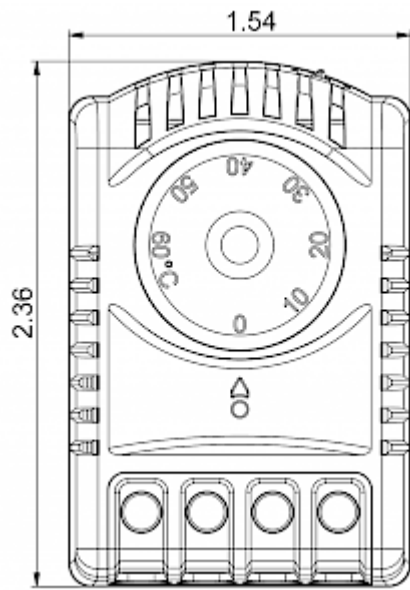
| | |
|----------------------------|-------------------------|
| Brand Name: | SoliTherm |
| Order Number: | 301511 |
| Color: | Grey (RAL 7011) |
| Housing Material: | PC plastic |
| Ingress protection: | IP 20 |
| Note: | Hyst. 3K / Sw.Pt.tol 3K |
| Approvals: | CE, cURus, RoHS |
| UL File Nummer: | E358385 |
| Taric Code: | 90321089 |

Technical data 301511

| | |
|-----------------------------|--|
| Temperature range: | -13 - 158°F / 95% int. sensor -13 - 176°F / 95% ext. sensor |
| Setting range: | 32°F - 140°F |
| Mounting: | DIN rail 1.38 inch |
| Dimension H x W x D: | 2.36 x 1.54 x 2.10 inch |
| Voltage / Frequency: | 24 V DC / 16 A |
| Lifetime: | 100,000 hrs. |

Please click on the graphics to download.
More CAD drawings can be found under [Product Download](#).
> [Overview product group Thermal controls / Accessories](#)

**Cut out
dimensions:**



[click image to enlarge](#)