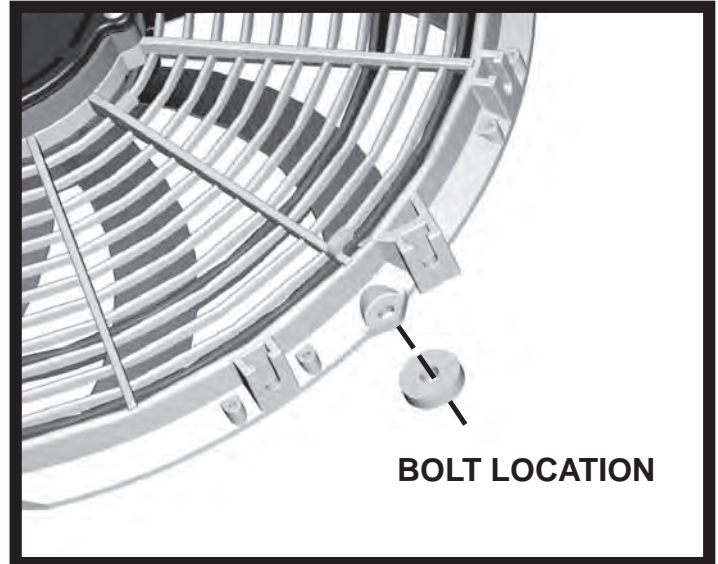


# Axial Fan Mounting Instructions

1. When mounting the Axial Fan without the supplied mounting feet use the supplied rubber washer as shown. The rubber washer will ensure the proper spacing between the fan and the mounting surface.



2. When mounting the Axial fan with the supplied mounting feet use the supplied rubber washer and fan spacer as shown. Use of both the spacer and washer is required to ensure the fan maintains the proper spacing.

