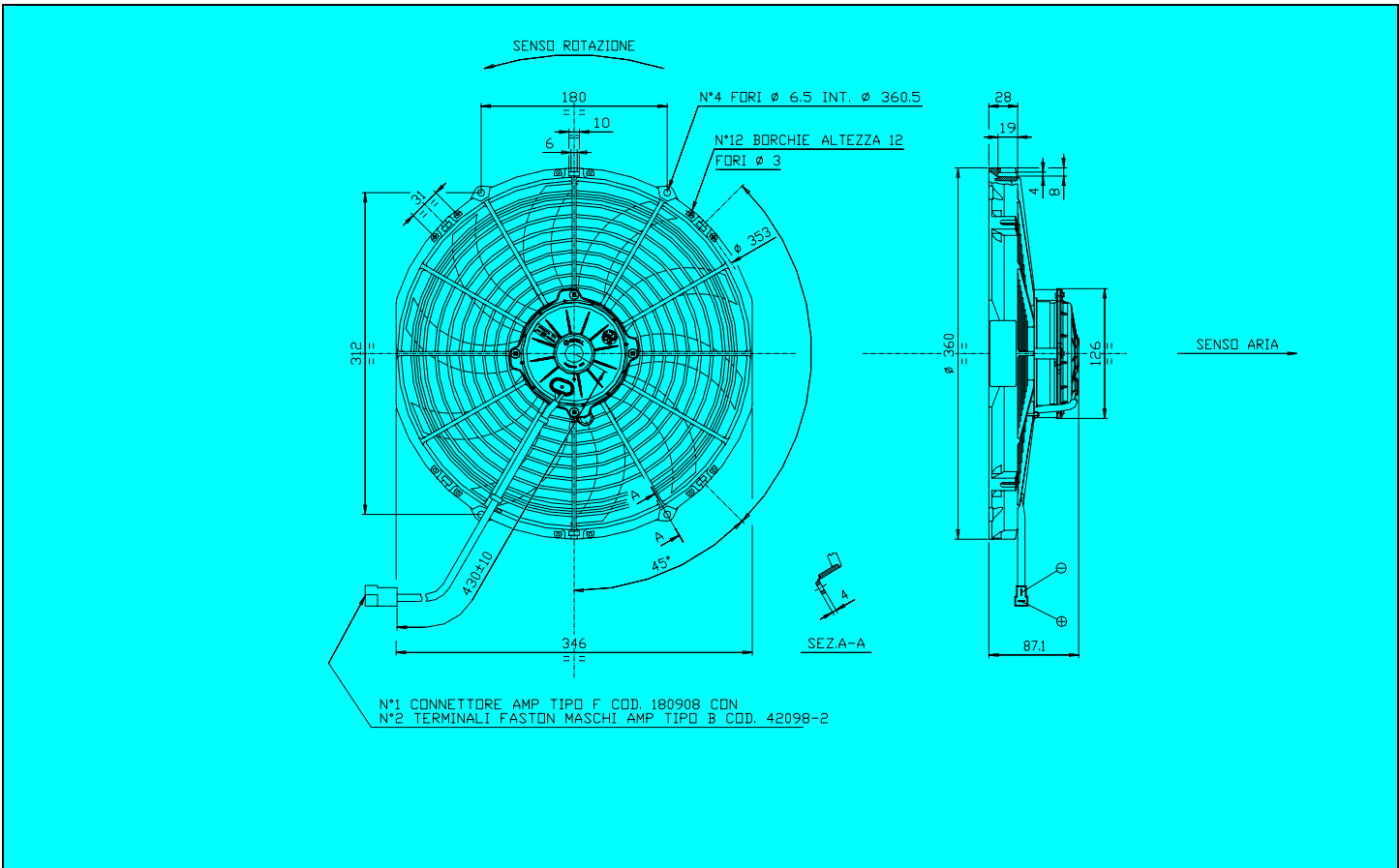


Code 30102045	Type VA13-AP70/LL-63S Fan (13" HP Curved Blade)	Fan Diameter 330 mm
------------------	--	------------------------



Test Voltage @ 13VDC

Static Pressure Mm H ₂ O	Airflow m ³ /h	Current Amps
.1	2767	22.4
2.6	2633	22.7
5.1	2411	22.8
7.5	2280	22.6
9.9	1910	22.5
12.6	1642	22.3
15.1	1327	22.1
17.6	982	21.5
19.9	538	22.2
21	0	22.8



Approximate Weight is 5.25lbs.

Waterproof motor (IP68)

Long Life Motor

AMP Connector 180908
Connector Interface

