

M166K

16" Champion

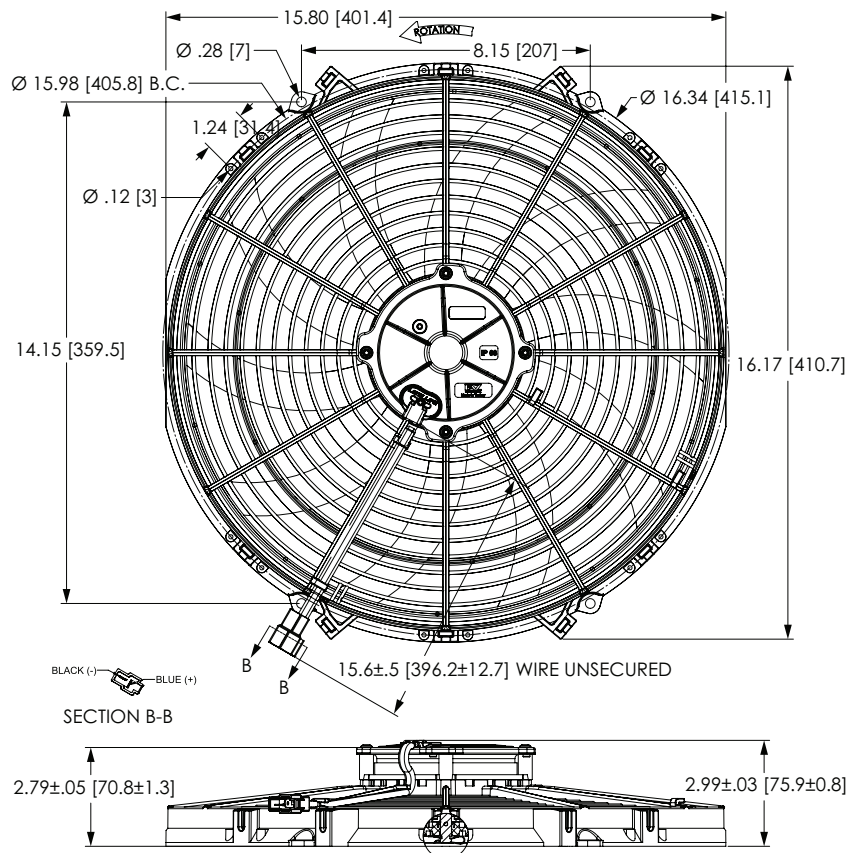
Motor: 12V LL 160W
Direction: Reversible
Blade: S-Blade
Depth: 3.02"
Amps: 12.3

1,810 CFM



24V Option Also Available.

(800) 403-7953 • www.MaradyneHP.com



LOW PROFILE FANS

Lowest Profile **High Performance** on the Market

QUIET S-BLADE DESIGN

Works as a Pusher or a Puller as Needed in Application

INDUSTRY LEADING PERFORMANCE

Dynamically Balanced to Provide Smooth Performance & Low Noise

LONG LIFE MOTOR

Waterproof & Dustproof (IP68) for Extreme Environments

SUPERIOR QUALITY

3 Year Warranty

INCLUDES

Locking Mating Pigtail Connector

TYPICAL PERFORMANCE DATA

M166K 16" LP REVERSIBLE CHAMPION LL 12V 160W

STATIC IN H ₂ O	TOTAL FLOW CFM	AMPS
0	1810	12.3
0.1	1680	12.8
0.2	1456	13.1
0.3	1181	13.0
0.4	877	12.6
0.5	556	12.0
0.6	217	11.8

