

M146K

14" Champion

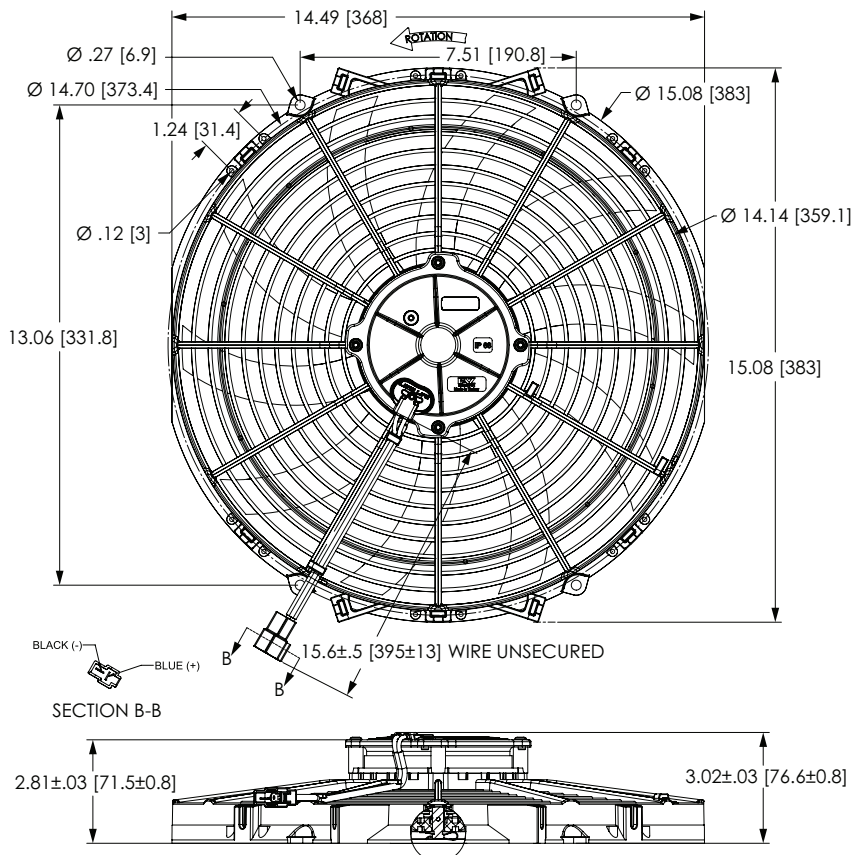
1,550 CFM

Motor: 12V LL 160W
Direction: Reversible
Blade: S-Blade
Depth: 3.02"
Amps: 10.1



24V Option Also Available.

(800) 403-7953 • www.MaradyneHP.com



LOW PROFILE FANS

Lowest Profile **High Performance** on the Market

QUIET S-BLADE DESIGN

Works as a Pusher or a Puller as Needed in Application

INDUSTRY LEADING PERFORMANCE

Dynamically Balanced to Provide Smooth Performance & Low Noise

LONG LIFE MOTOR

Waterproof & Dustproof (IP68) for Extreme Environments

SUPERIOR QUALITY

3 Year Warranty

INCLUDES

Locking Mating Pigtail Connector

TYPICAL PERFORMANCE DATA

M146K 14" LP REVERSIBLE CHAMPION LL 12V 160W

STATIC IN H ₂ O	TOTAL FLOW CFM	AMPS
0	1555	7.5
0.1	1420	7.7
0.2	1286	8.4
0.3	1082	8.7
0.4	774	8.3
0.5	399	7.7

