

M142K

14" Champion

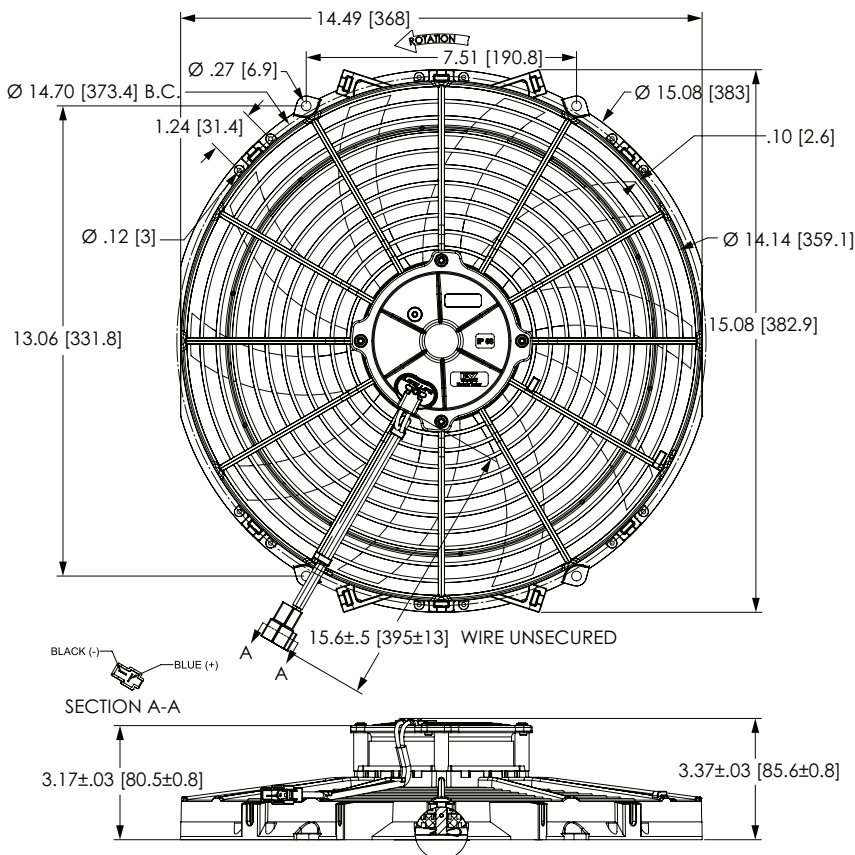
2,135 CFM

Motor: 12V LL 225W
Direction: Reversible
Blade: S-Blade
Depth: 3.37"
Amps: 17.2



24V Option Also Available.

(800) 403-7953 • www.MaradyneHP.com



LOW PROFILE FANS

Lowest Profile **High Performance** on the Market

QUIET S-BLADE DESIGN

Works as a Pusher or a Puller as Needed in Application

INDUSTRY LEADING PERFORMANCE

Dynamically Balanced to Provide Smooth Performance & Low Noise

LONG LIFE MOTOR

Waterproof & Dustproof (IP68) for Extreme Environments

SUPERIOR QUALITY

3 Year Warranty

INCLUDES

Locking Mating Pigtail Connector

TYPICAL PERFORMANCE DATA

M142K 14" LP REVERSIBLE CHAMPION LL 12V 225W

STATIC IN H ₂ O	TOTAL FLOW CFM	AMPS
0	2135	15.2
0.1	1917	15.5
0.2	1777	16.1
0.3	1620	16.8
0.4	1461	17.1
0.5	1290	17.2
0.6	1045	16.6
0.7	678	15.6
0.8	433	15.3

