

# M123K

12" Champion

Motor: 12V LL 130W

Direction: Reversible

Blade: S-Blade

Depth: 2.62"

Amps: 7.7

# 1,155 CFM

## LOW PROFILE FANS

Lowest Profile **High Performance** on the Market

## QUIET S-BLADE DESIGN

Works as a Pusher or a Puller as Needed in Application

## INDUSTRY LEADING PERFORMANCE

Dynamically Balanced to Provide Smooth Performance & Low Noise

## LONG LIFE MOTOR

Waterproof & Dustproof (IP68) for Extreme Environments

## SUPERIOR QUALITY

3 Year Warranty

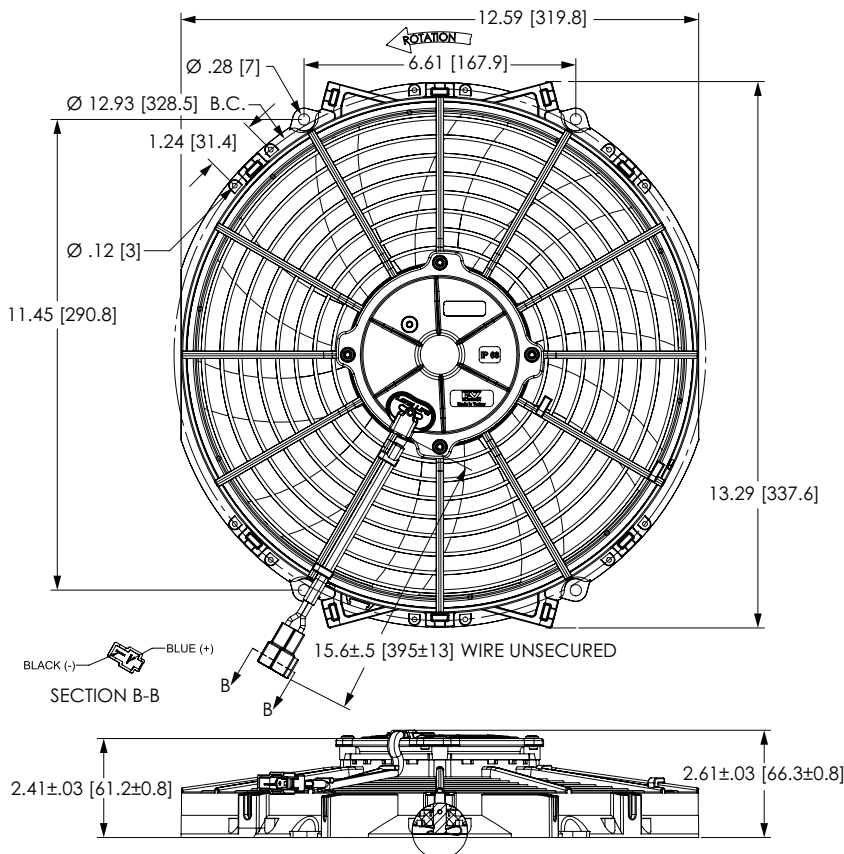
## INCLUDES

Locking Mating Pigtail Connector



24V Option Also Available.

(800) 403-7953 • [www.MaradyneHP.com](http://www.MaradyneHP.com)



## TYPICAL PERFORMANCE DATA

M123K 12" LP REVERSIBLE CHAMPION LL 12V 130W

STATIC IN H <sub>2</sub> O	TOTAL FLOW CFM	AMPS
0	1155	7.2
0.1	1059	7.5
0.2	825	7.8
0.3	593	7.8
0.4	414	7.6
0.5	255	7.5

