

M122K

12" Champion

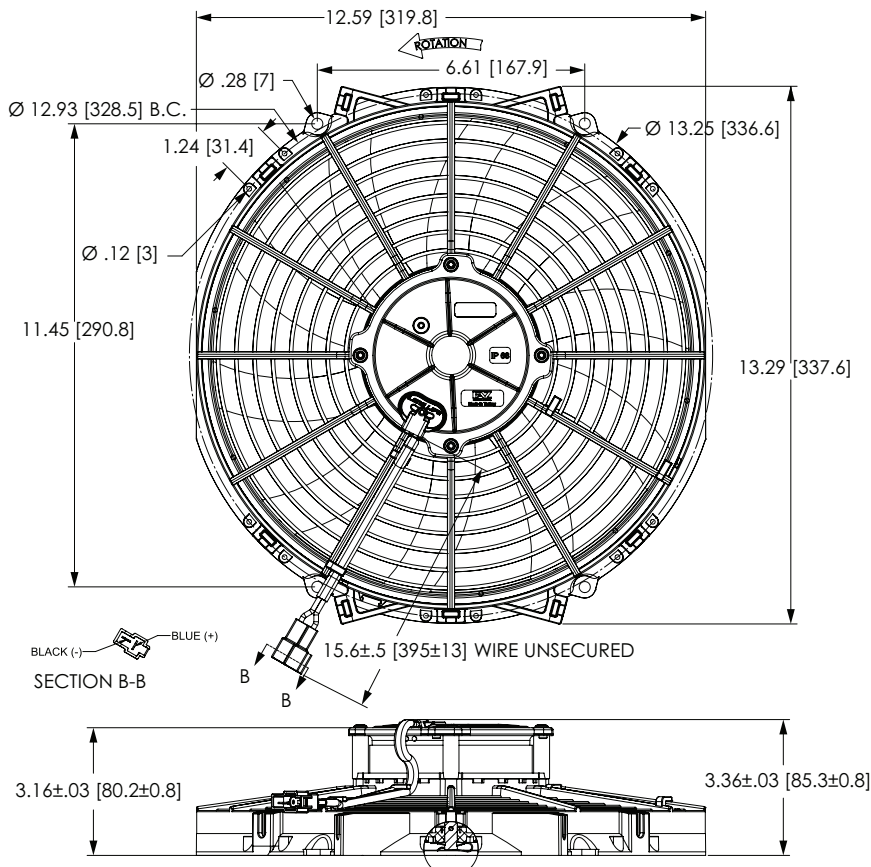
1,595 CFM

Motor: 12V LL 225W
Direction: Reversible
Blade: S-Blade
Depth: 3.37"
Amps: 18.3



24V Option Also Available.

(800) 403-7953 • www.MaradyneHP.com



LOW PROFILE FANS

Lowest Profile **High Performance** on the Market

QUIET S-BLADE DESIGN

Works as a Pusher or a Puller as Needed in Application

INDUSTRY LEADING PERFORMANCE

Dynamically Balanced to Provide Smooth Performance & Low Noise

LONG LIFE MOTOR

Waterproof & Dustproof (IP68) for Extreme Environments

SUPERIOR QUALITY

3 Year Warranty

INCLUDES

Locking Mating Pigtail Connector

TYPICAL PERFORMANCE DATA

M122K 12" LP REVERSIBLE CHAMPION LL 12V 225W

STATIC IN H ₂ O	TOTAL FLOW CFM	AMPS
0	1595	18.3
0.1	1565	18.8
0.2	1511	19.2
0.3	1435	19.5
0.4	1342	19.7
0.5	1235	19.8
0.6	1115	19.8
0.7	987	19.8
0.8	853	19.7
0.9	716	19.7
1.0	579	19.6

