

M113K

11" Champion

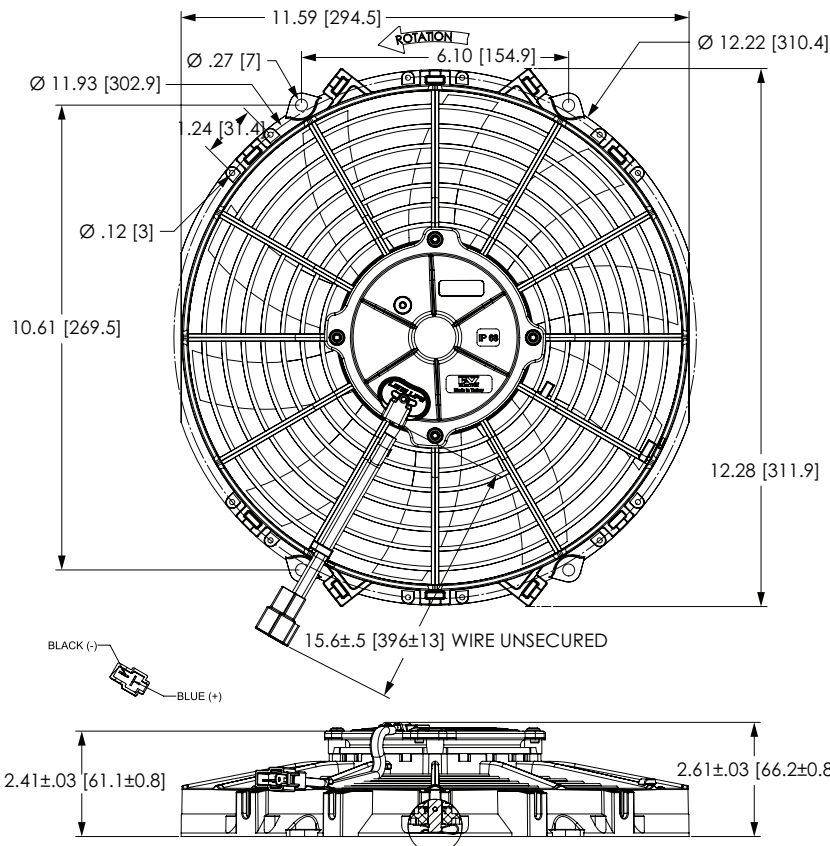
1,110 CFM

Motor: 12V LL 130W
Direction: Reversible
Blade: S-Blade
Depth: 2.62"
Amps: 7.4



24V Option Also Available.

(800) 403-7953 • www.MaradyneHP.com



LOW PROFILE FANS

Lowest Profile **High Performance** on the Market

QUIET S-BLADE DESIGN

Works as a Pusher or a Puller as Needed in Application

INDUSTRY LEADING PERFORMANCE

Dynamically Balanced to Provide Smooth Performance & Low Noise

LONG LIFE MOTOR

Waterproof & Dustproof (IP68) for Extreme Environments

SUPERIOR QUALITY

3 Year Warranty

INCLUDES

Locking Mating Pigtail Connector

TYPICAL PERFORMANCE DATA

M113K 11" LP REVERSIBLE CHAMPION LL 12V 130W

STATIC IN H ₂ O	TOTAL FLOW CFM	AMPS
0	1110	7.4
0.1	1035	8.0
0.2	895	8.2
0.3	728	8.2
0.4	555	8.1
0.5	388	8.0
0.6	227	8.2
0.7	67	8.8

