

# M103K

## 10" Champion

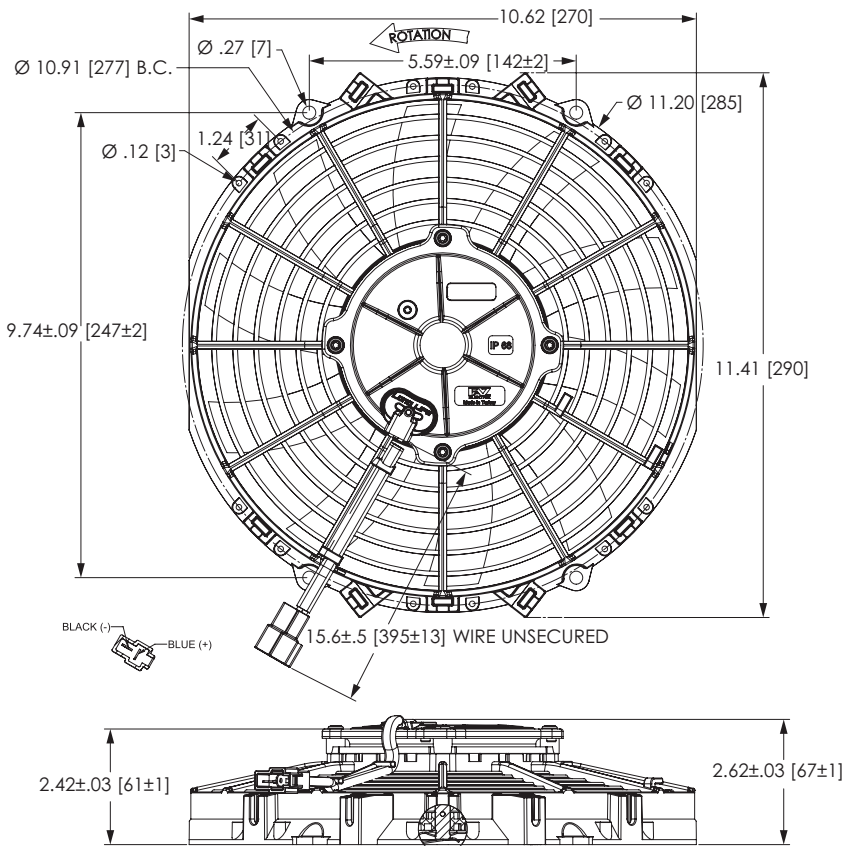
Motor: 12V LL 130W  
Direction: Reversible  
Blade: S-Blade  
Depth: 2.62"  
Amps: 7.9

# 950 CFM



24V Option Also Available.

(800) 403-7953 • [www.MaradyneHP.com](http://www.MaradyneHP.com)



### LOW PROFILE FANS

Lowest Profile **High Performance** on the Market

### QUIET S-BLADE DESIGN

Works as a Pusher or a Puller as Needed in Application

### INDUSTRY LEADING PERFORMANCE

Dynamically Balanced to Provide Smooth Performance & Low Noise

### LONG LIFE MOTOR

Waterproof & Dustproof (IP68) for Extreme Environments

### SUPERIOR QUALITY

3 Year Warranty

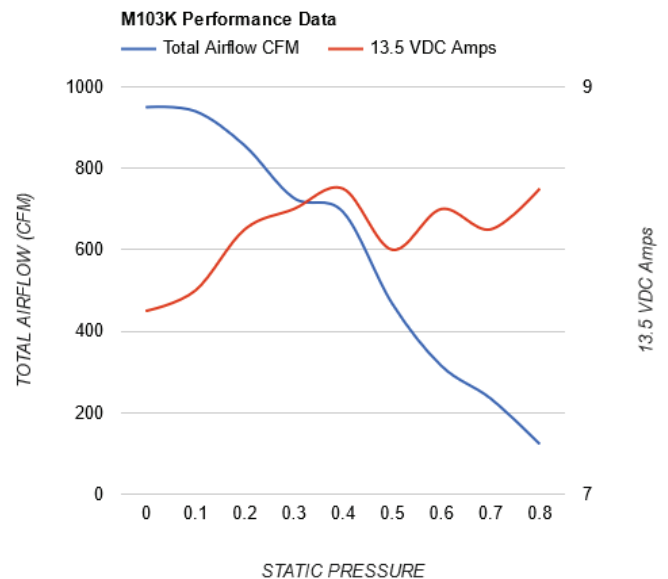
### INCLUDES

Locking Mating Pigtail Connector

### TYPICAL PERFORMANCE DATA

M103K 10" LP REVERSIBLE CHAMPION LL 12V 130W

STATIC IN H <sub>2</sub> O	TOTAL FLOW CFM	AMPS
0	950	7.9
0.1	940	8.0
0.2	856	8.3
0.3	727	8.4
0.4	693	8.5
0.5	468	8.2
0.6	315	8.4
0.7	235	8.3
0.8	123	8.5



STATIC PRESSURE