

# M093K

## 9" Champion

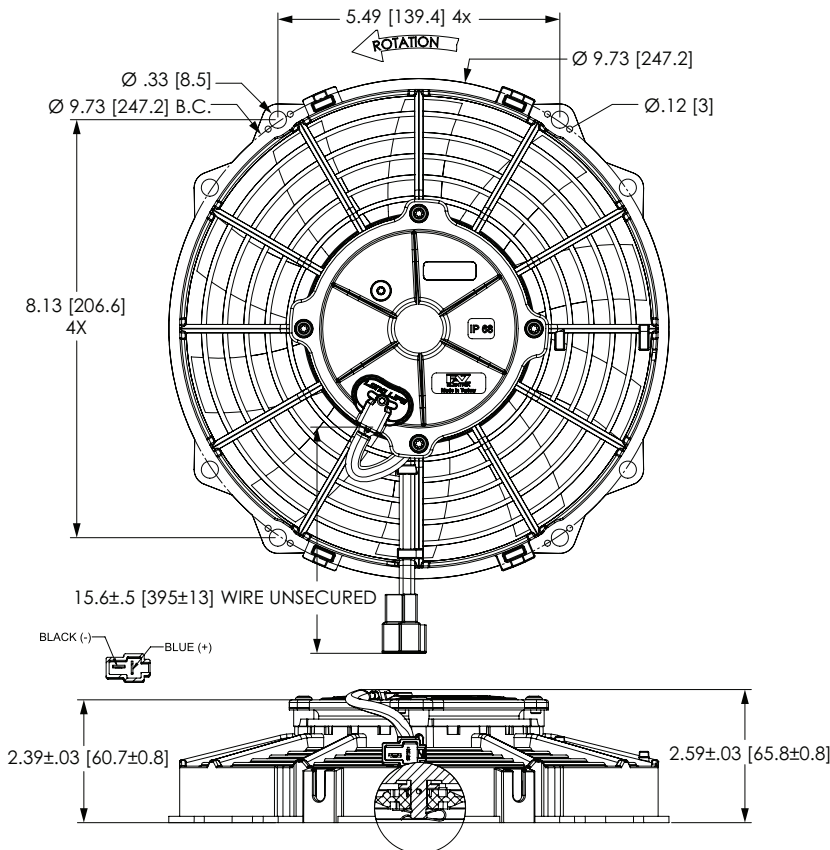
Motor: 12V LL 130W  
Direction: Reversible  
Blade: S-Blade  
Depth: 2.62"  
Amps: 7.7

# 790 CFM



24V Option Also Available.

(800) 403-7953 • [www.MaradyneHP.com](http://www.MaradyneHP.com)



### LOW PROFILE FANS

Lowest Profile **High Performance** on the Market

### QUIET S-BLADE DESIGN

Works as a Pusher or a Puller as Needed in Application

### INDUSTRY LEADING PERFORMANCE

Dynamically Balanced to Provide Smooth Performance & Low Noise

### LONG LIFE MOTOR

Waterproof & Dustproof (IP68) for Extreme Environments

### SUPERIOR QUALITY

3 Year Warranty

### INCLUDES

Locking Mating Pigtail Connector

### TYPICAL PERFORMANCE DATA

M093K 9" LP REVERSIBLE CHAMPION LL 12V 130W

STATIC IN H <sub>2</sub> O	TOTAL FLOW CFM	AMPS
0	790	7.7
0.1	747	8.0
0.2	679	8.2
0.3	598	8.3
0.4	514	8.3
0.5	432	8.3
0.6	352	8.3
0.7	280	8.3
0.8	213	8.5
0.9	152	8.7
1.0	92	9.1

