

M059K

5.2" Champion

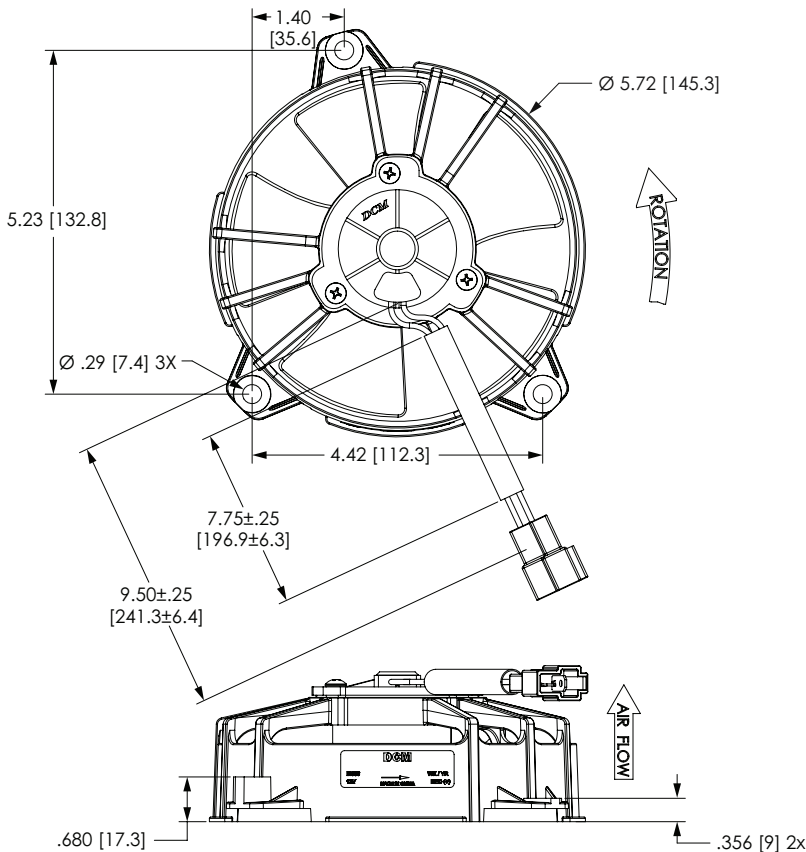
Motor: 12V 30W
Direction: Puller
Blade: Straight
Depth: 2.48"
Amps: 3.8

315 CFM



24V Option Also Available.

(800) 403-7953 • www.MaradyneHP.com



LOW PROFILE FANS

Lowest Profile **High Performance** on the Market

QUIET S-BLADE DESIGN

Works as a Pusher or a Puller as Needed in Application

INDUSTRY LEADING PERFORMANCE

Dynamically Balanced to Provide Smooth Performance & Low Noise

LONG LIFE MOTOR

Waterproof & Dustproof (IP68) for Extreme Environments

SUPERIOR QUALITY

3 Year Warranty

INCLUDES

Locking Mating Pigtail Connector

TYPICAL PERFORMANCE DATA

M059K 5.2" PULLER CHAMPION 12V 30W

STATIC IN H ₂ O	TOTAL FLOW CFM	AMPS
0	315	6.6
0.1	293	6.5
0.2	274	6.4
0.3	244	6.1
0.4	224	6.3
0.6	186	6.4
0.8	140	6.7
1.0	108	6.9
1.2	85	7.0
1.4	49	7.2

M059K Performance Data

