

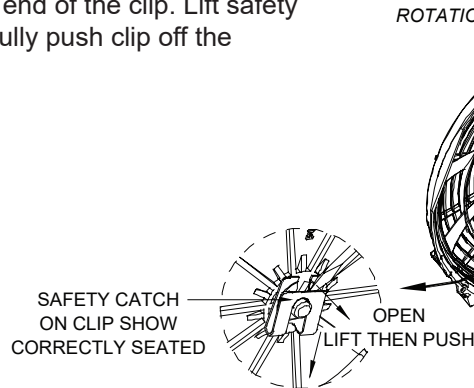
BLADE REVERSING INSTRUCTIONS

FANS SHIP IN PULLER CONFIGURATION



FOLLOW INSTRUCTIONS CAREFULLY TO PREVENT PERSONAL INJURY AND/OR DAMAGE TO THE FAN UNIT OR COMPONENT! ALWAYS DISCONNECT ONE OF THE BATTERY CABLES OR REMOVE POWER FUSES FOR A CIRCUIT WHEN INSTALLING AN ELECTRICAL FAN OR COMPONENT!

STEP 1: Disconnect power to the fan. Place the tip of a flat blade screwdriver between the open end of the clip. Lift safety catch over shaft end and carefully push clip off the motor shaft.

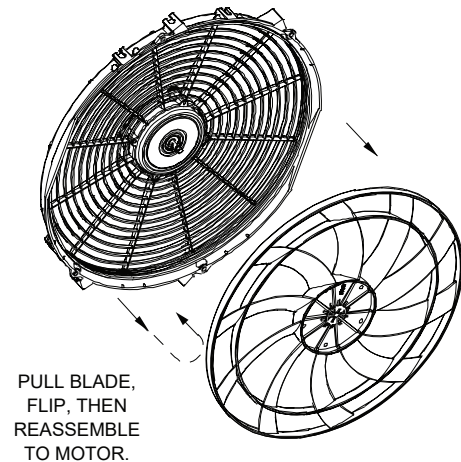


PULLER CONFIGURATION

WIRING:

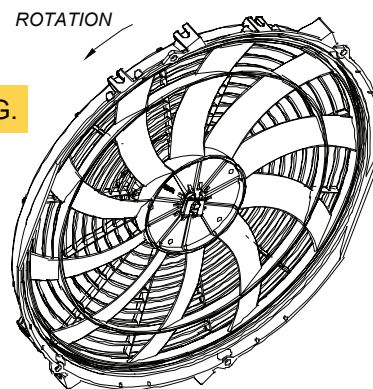
BLUE (+) POS
BLACK (-) NEG

STEP 2: With another person, carefully pull the blade off the motor shaft. We recommend one person hold the shroud and one person pull the blade. Caution – edges of the blade are sharp. Do not drive the motor out by impact. This will destroy the motor and void the warranty. Flip the blade, then place back on motor shaft by lining up the groove on the blade hub with the drive pin on the motor shaft.



STEP 3: Replace clip by pushing clip into groove on motor shaft. Ensure safety catch snaps over the motor shaft. Pusher configuration should look as shown.

NOTE: Fan wiring changes to BLACK (+) POS and BLUE (-) NEG.



PUSHER CONFIGURATION

WIRING:

BLACK (+) POS
BLUE (-) NEG