

OWNER'S MANUAL

5' X 8' BAR & GRILL

TABLE OF CONTENTS

ASSEMBLY GUIDE	02
USING YOUR BLACKSTONE	11



For the latest version of this manual, scan this code or visit BlackstoneProducts.com/support

IMPORTANT:

This instruction manual contains important information necessary for the proper assembly and safe use of the appliance.

Read and follow all warnings and instructions before assembling and using the appliance.

Follow all warnings and instructions when using the appliance.

Keep this manual for future reference.

Installer/Assembler: Leave these instructions with the consumer.

SAFETY ALERT KEY

⚠ DANGER

Indicates a hazardous situation that, if not avoided, will result in death or serious injury.

⚠ WARNING

Indicates a hazardous situation that, if not avoided, could result in death or serious injury.

⚠ CAUTION

Indicates a hazardous situation that, if not avoided, could result in minor or moderate injury.

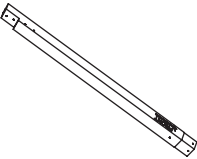
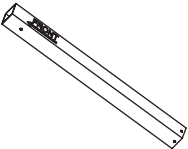
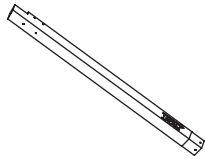
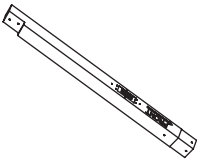
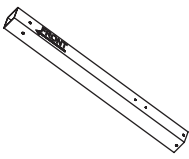
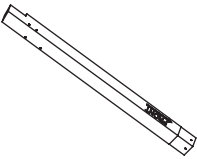
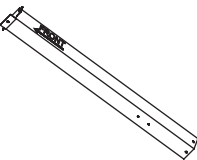
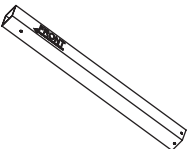
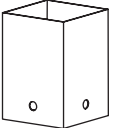

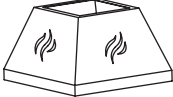
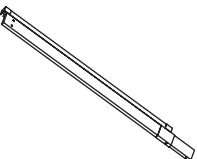

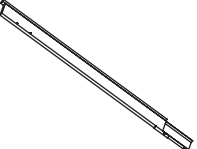

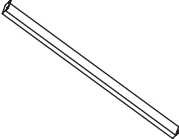
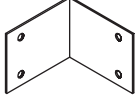
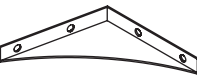
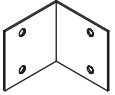
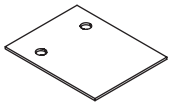


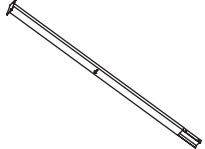
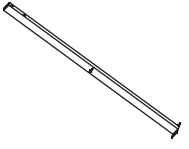
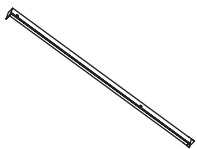
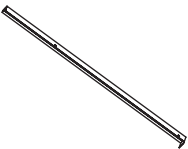
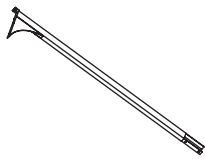
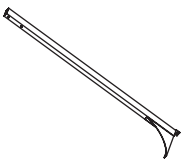
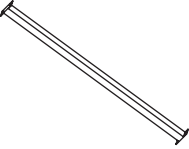
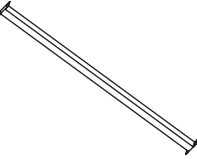
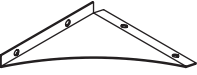
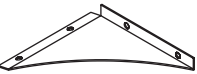

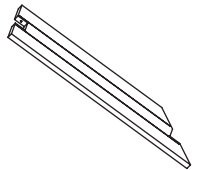
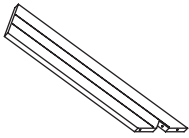
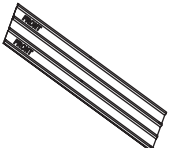


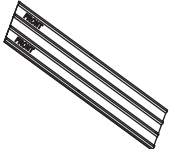

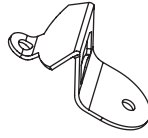
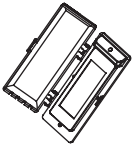
NOTICE

Indicates information considered important, but not hazard-related (e.g. messages related to property damage).

ASSEMBLY GUIDE

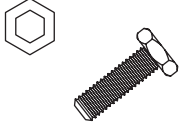
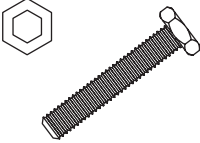
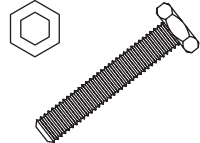
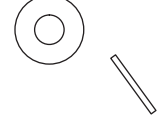
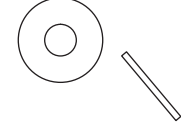
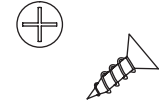
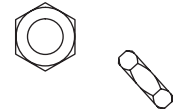

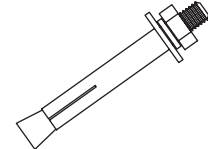
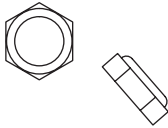

PARTS LIST

ENGLISH

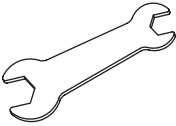
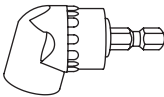
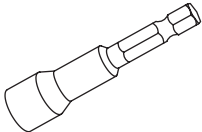
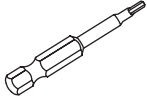
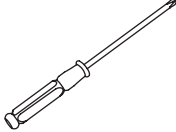
A1 Post 1 (1 piece) 	A2 Post 2 (1 piece) 	A3 Post 3 (1 piece) 	A4 Post 4 (1 piece) 	A5 Post 5 (1 piece) 	A6 Post 6 (1 piece) 
A7 Post 7 (1 piece) 	A8 Post 8 (2 pieces) 	A9 Foot base (5 pieces) 	B Foot base (5 pieces) 	C Foot base cover (5 pieces) 	D1 Cross beam 1 (1 piece) 
D2 Cross beam 2 (1 piece) 	D3 Cross beam 3 (1 piece) 	D4 Cross beam 4 (1 piece) 	D5 Cross beam 5 (1 piece) 	E1 Cross beam connector 1 (3 pieces) 	E2 Cross beam connector 2 (2 pieces) 
E3 Cross beam connector 3 (2 piece) 	E4 Cross beam connector 4 (1 piece) 	F1 Roof rib 1 (1 piece) 	F2 Roof rib 2 (1 piece) 	G1 Roof top rib 1 (1 piece) 	G2 Roof top rib 2 (2 piece) 
H1 Gutter 1 (1 piece) 	H2 Gutter 2 (1 piece) 	J1 Top support 1 (1 piece) 	J2 Top support 2 (1 piece) 	J3 Bottom support 1 (1 piece) 	J4 Bottom support 2 (1 piece) 
K1 Support bracket 1 (1 piece) 	K2 Support bracket 2 (1 piece) 	K3 Support bracket 3 (2 pieces) 	L1 Shelf 1 (1 piece) 	L2 Shelf 2 (1 piece) 	M1 Roof panel 1 (1 piece) 
M2 Roof panel 2 (1 piece) 	M3 Roof panel 3 (1 piece) 	M4 Roof panel 4 (1 piece) 	M5 Roof panel 5 (2 pieces) 	N Bottle opener (1 piece) 	P Electrical power cover (1 piece) 



HARDWARE

<p>AA M6*20 bolts (107+5 pieces)</p> 	<p>BB M6*30 bolts (2 pieces)</p> 	<p>CC M6*35 bolts (22+4 pieces)</p> 	<p>DD M6*14 Flat washer (14+2 pieces)</p> 	<p>EE Sealant washer (12+2 pieces)</p> 	<p>FF M3x10 bolts (4 pieces)</p> 
<p>GG M6 nuts (4 pieces)</p> 	<p>HH M6*16 flat washer (121+10 pieces)</p> 	<p>JJ M8x70 Concrete anchor (20 pieces)</p> 	<p>KK Plastic cap (12 pieces)</p> 	<p>LL Magnetic hook (15 pieces)</p> 	

TOOLS INCLUDED

<p>Z1 Double end open wrench (1 piece)</p> 	<p>Z2 Angle drill adapter (1 piece)</p> 	<p>Z3 Hex socket driver 10mmx65mm (1 piece)</p> 	<p>Z4 Hex drill bit 4mmx50mm (1 piece)</p> 	<p>Z5 M3 Screwdriver (1 piece)</p> 
--	---	---	---	--

Follow all safety warnings provided with your tools.

A step-ladder (not included) is required for assembly.
 Check the components against the parts list and make sure there are no missing parts.
 Lay pieces on cardboard or a soft mat to help protect the pieces from scratches.

ASSEMBLY INSTRUCTIONS

Find a large, clean area to assemble your appliance.

Remove all packing material before assembling.

CAUTION

Sharp edges. Wear gloves while assembling.

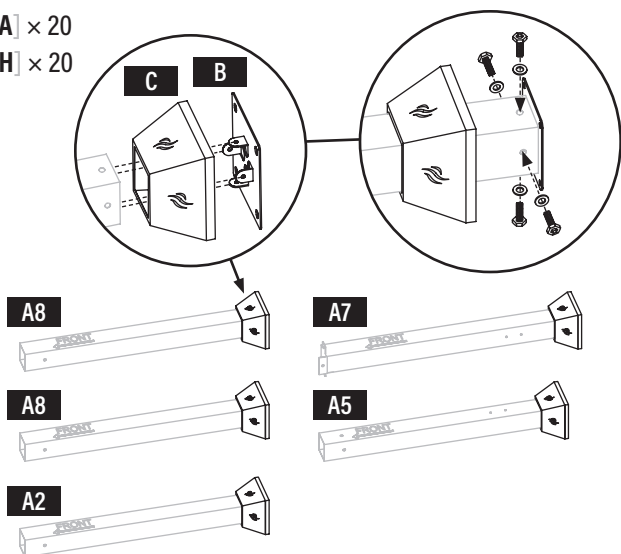
STEP 01 Slide one (1) foot base cover **C** onto one (1) post 8 **A8**.

Use four (4) **AA** bolts and four (4) **HH** flat washers to attach one (1) foot base **B** to the bottom of post 8 **A8**.

Repeat with the other post 8 **A8**, and posts **A7**, **A5**, and **A2**.

AA × 20

HH × 20



For ease of assembly, it is recommended to have 3 or more people and allow enough time to completely finish the assembly.

(Assembly can take 6-8 hours.)

DO NOT tighten screws until all the screws and washers are properly installed.

STEP 02 Pull the electric cord out through the plug on post 5 **A5**.

Use three (3) **KK** plastic caps, three (3) **AA** bolts, and three (3) **DD** flat washers to attach post 4 **A4** and post 5 **A5**. **Note:** The **FRONT** arrows should face each other.

Repeat with post 6 **A6** to one (1) post 8 **A8**.

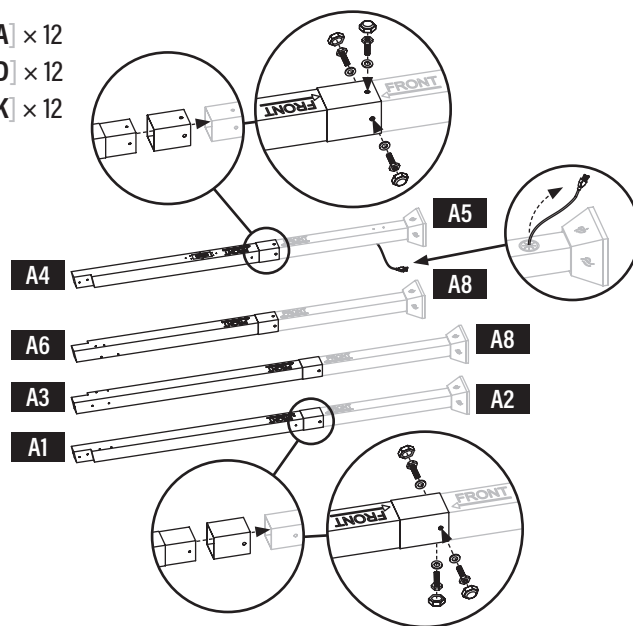
Use three (3) **KK** plastic caps, three (3) **AA** bolts, and three (3) **DD** flat washers to attach post 3 **A3** and one (1) post 8 **A8**.

Repeat with post 1 **A1** and post 2 **A2**.

AA × 12

DD × 12

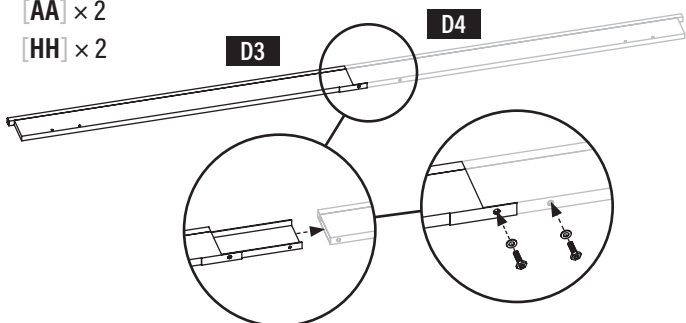
KK × 12



STEP 03 Use two (2) **AA** bolts and two (2) **HH** flat washers to attach cross beam 3 **D3** and cross beam 4 **D4**.

AA × 2

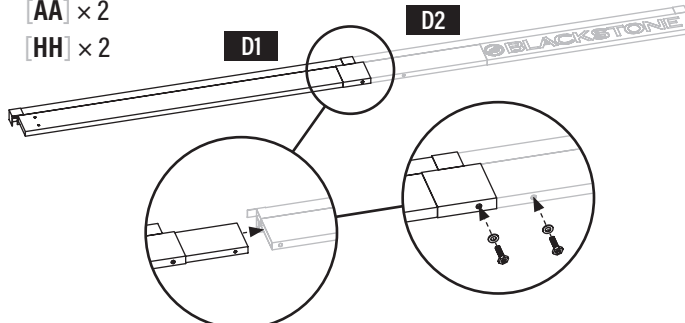
HH × 2



STEP 04 Use two (2) **AA** bolts and two (2) **HH** flat washers to attach cross beam 1 **D1** and cross beam 2 **D2**.

AA × 2

HH × 2

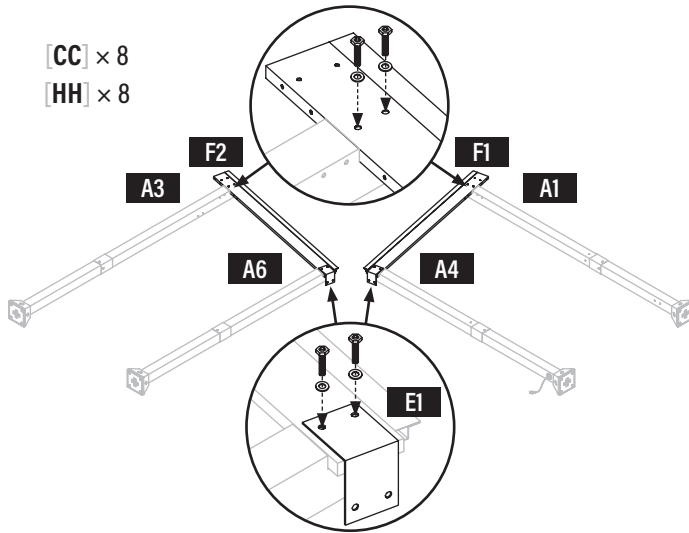


STEP 05 Use two (2) [CC] bolts and two (2) [HH] flat washers to attach post assembly [A3] to roof rib 2 [F2].

Repeat with post assembly [A1] and roof rib 1 [F1].

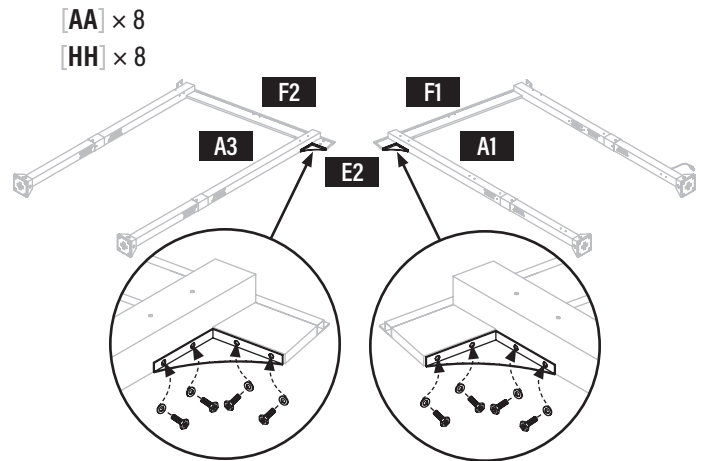
Use two (2) [CC] bolts and two (2) [HH] flat washers to attach one (1) cross beam connector 1 [E1] and post assembly [A6] to roof rib 2 [F2].

Repeat with one (1) cross beam connector 1 [E1], post assembly [A4] and roof rib 1 [F1].

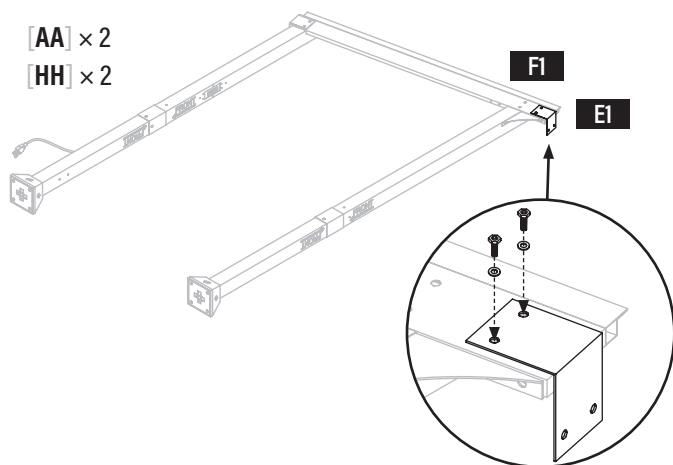


STEP 06 Use four (4) [AA] bolts and four (4) [HH] flat washers to attach one (1) cross beam connector 2 [E2] to roof rib 2 [F2] and post assembly [A3].

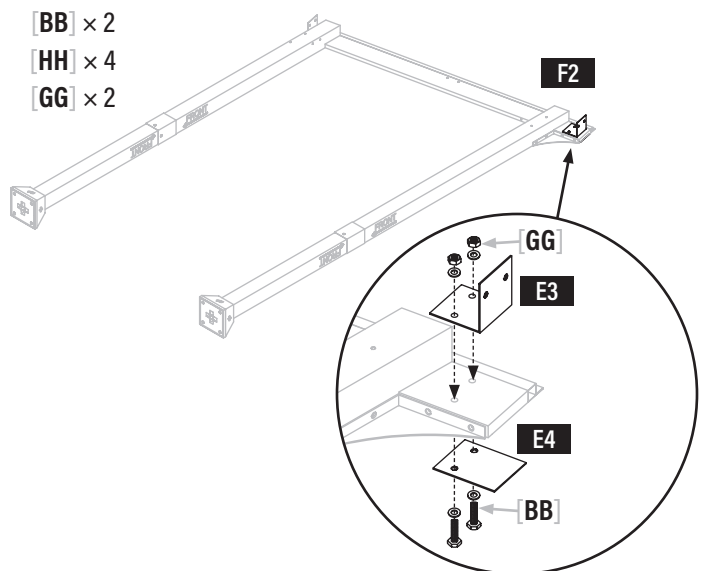
Use four (4) [AA] bolts and four (4) [HH] flat washers to attach one (1) cross beam connector 2 [E2] to roof rib 1 [F1] and post assembly [A1].



STEP 07 Use two (2) [AA] bolts and two (2) [HH] flat washers to attach one (1) cross beam connector 1 [E1] to roof rib 1 [F1].



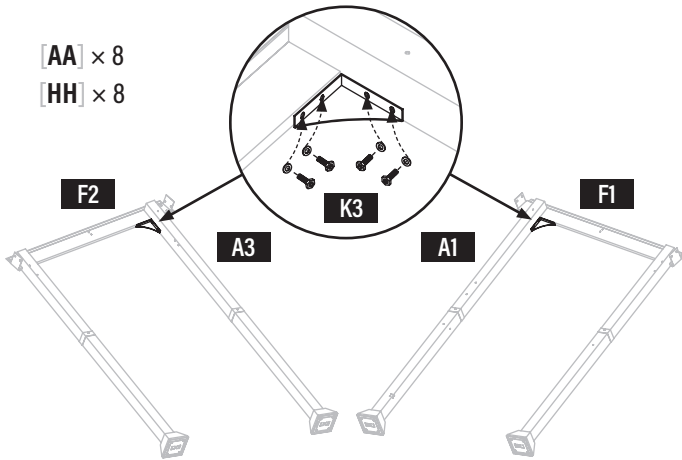
STEP 08 Use two (2) [BB] bolts, four (4) [HH] flat washers, and two (2) [GG] nuts to attach cross beam connector 4 [E4] and one (1) cross beam connector 3 [E3] to roof rib 2 [F2].



STEP 09 Note: DO NOT tighten the bolts completely until all the bolts and washers are properly installed.

Use four (4) [AA] bolts and four (4) [HH] flat washers to attach one (1) support bracket 3 [K3] to post assembly [A3] and roof rib assembly [F2].

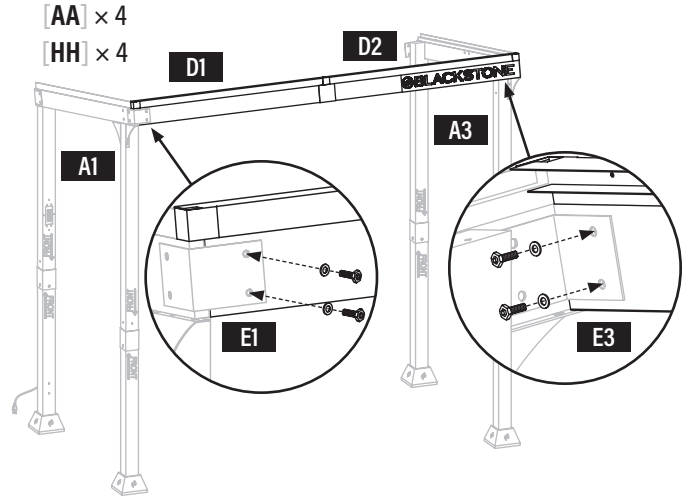
Use four (4) [AA] bolts and four (4) [HH] flat washers to attach one (1) support bracket 3 [K3] to post assembly [A1] and roof rib assembly [F1].



STEP 10 Use two (2) [AA] bolts and two (2) [HH] flat washers to attach cross beam [D1] to one (1) cross beam connector 1 [E1].

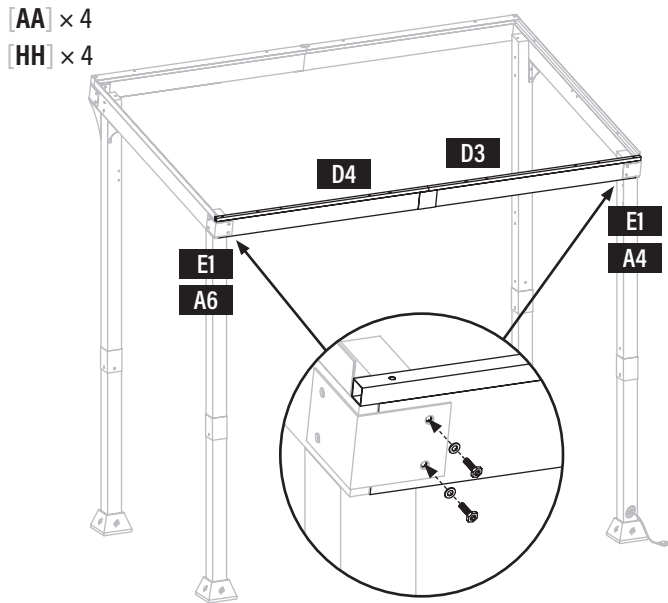
Note: the FRONT labels should face forward.

Use two (2) [AA] bolts and two (2) [HH] flat washers to attach cross beam [D2] to one (1) cross beam connector 3 [E3].



STEP 11 Use two (2) [AA] bolts and two (2) [HH] flat washers to attach cross beam [D4] to one (1) cross beam connector 1 [E1].

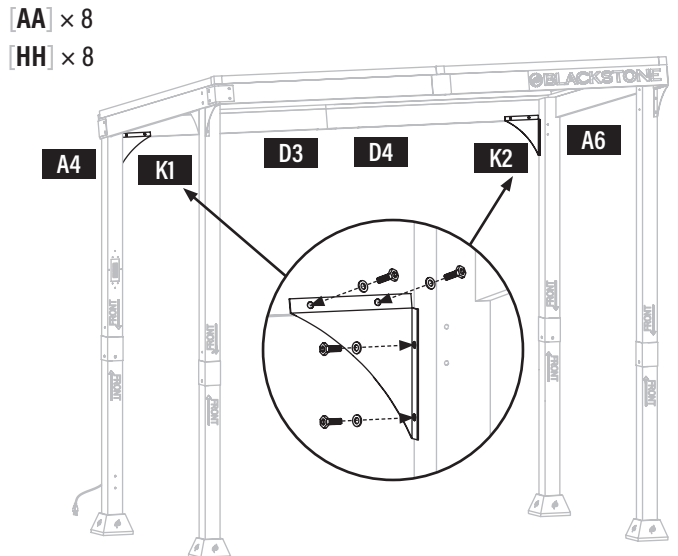
Use two (2) [AA] bolts and two (2) [HH] flat washers to attach cross beam [D3] to one (1) cross beam connector 1 [E1].



STEP 12 Note: DO NOT tighten the bolts completely until all the bolts and washers are properly installed.

Use four (4) [AA] bolts and four (4) [HH] flat washers to attach support bracket 1 [K1] to post assembly [A4] and cross beam [D3].

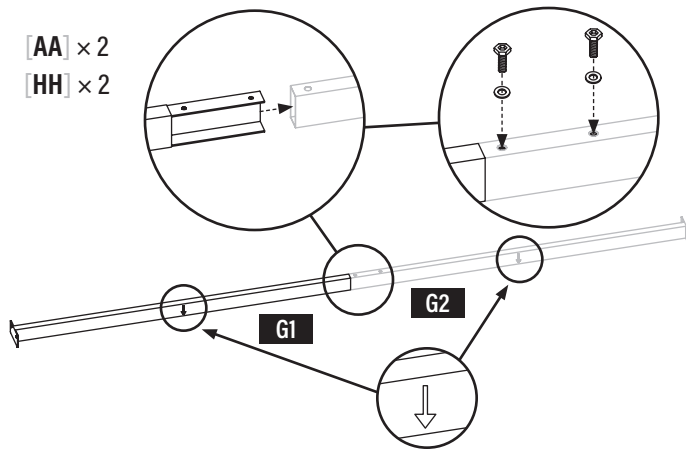
Use four (4) [AA] bolts and four (4) [HH] flat washers to attach support bracket 2 [K2] to post assembly [A6] and cross beam [D4].



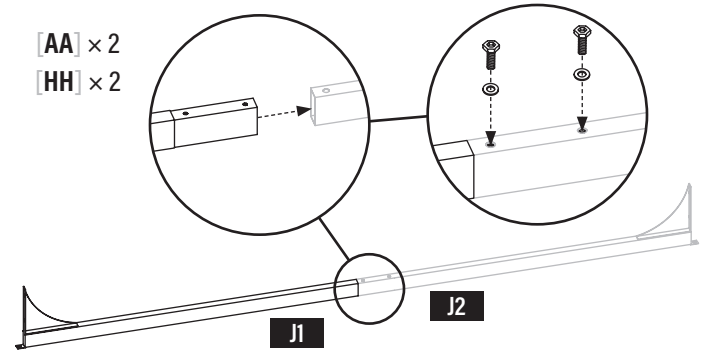


STEP 13 Use two (2) [AA] bolts and two (2) [HH] flat washers to attach roof top rib 1 [G1] to roof top rib 2 [G2].

Note: the ARROWS should face the same direction.

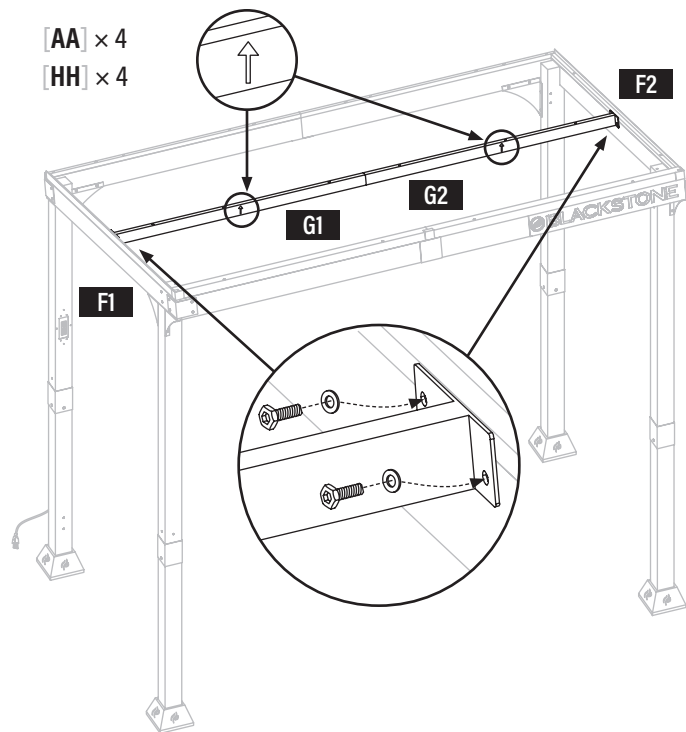


STEP 14 Use two (2) [AA] bolts and two (2) [HH] flat washers to attach top support 1 [J1] to top support 2 [J2].



STEP 15 Use two (2) [AA] bolts and two (2) [HH] flat washers to attach roof top rib 1 [G1] to roof rib [F1].

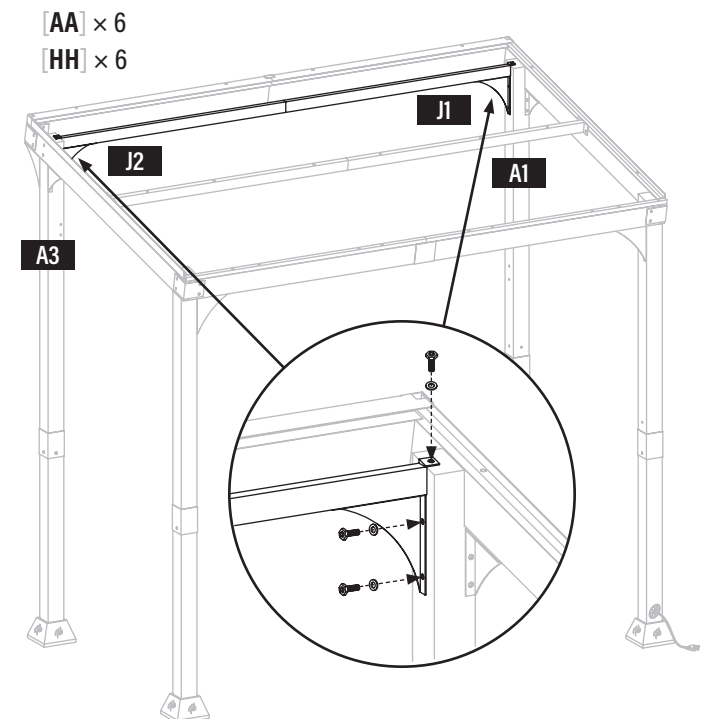
Use two (2) [AA] bolts and two (2) [HH] flat washers to attach roof top 2 [G2] to roof rib [F2].



STEP 16 Note: DO NOT tighten the bolts completely until all the bolts and washers are properly installed.

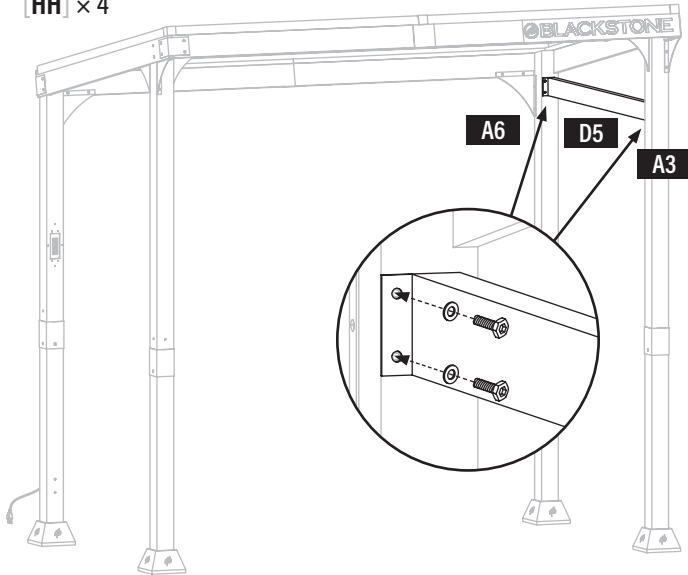
Use three (3) [AA] bolts and three (3) [HH] flat washers to attach top support 1 [J1] to post assembly [A1].

Use three (3) [AA] bolts and three (3) [HH] flat washers to attach top support 2 [J2] to post assembly [A3].



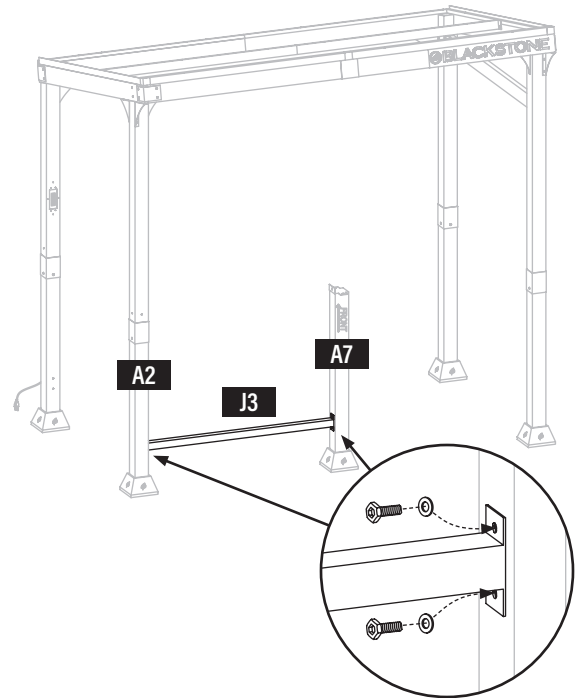
STEP 17 Use four (4) [AA] bolts and four (4) [HH] flat washers to attach cross beam 5 [D5] to post assembly [A6] and post assembly [A3].

- [AA] × 4
- [HH] × 4



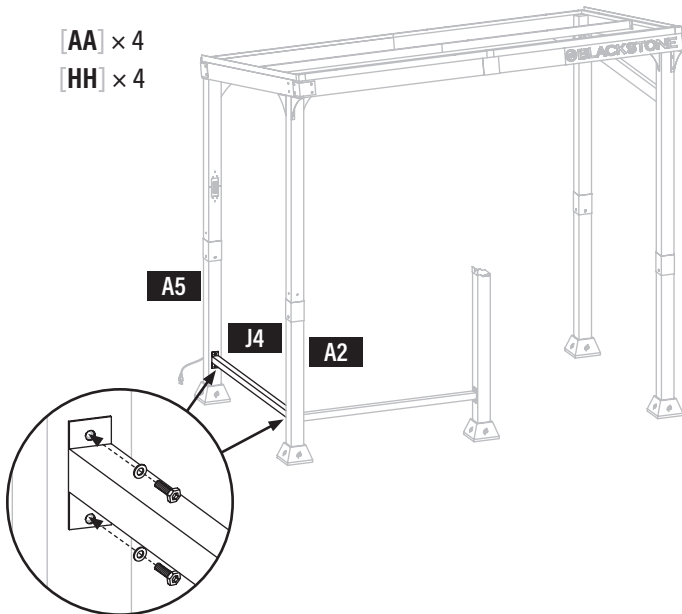
STEP 18 Use four (4) [AA] bolts and four (4) [GG] flat washers to attach bottom support 1 [J3] to post assembly [A2] and post assembly [A7].

- [AA] × 4
- [HH] × 4



STEP 19 Use four (4) [AA] bolts and four (4) [HH] flat washers to attach bottom support 2 [J4] to posts [A5] and [A2].

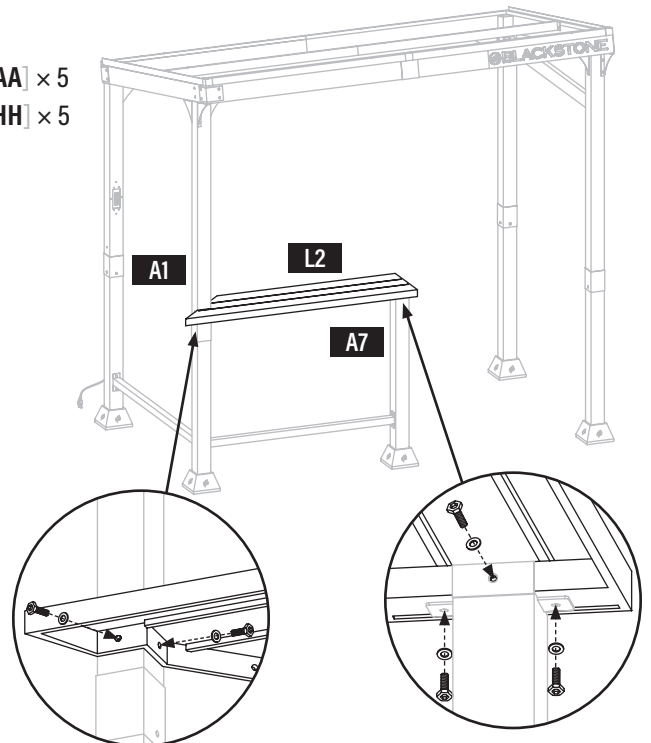
- [AA] × 4
- [HH] × 4



STEP 20 Use two (2) [AA] bolts and two (2) [HH] flat washers to attach shelf 2 [L2] to post [A1].

Use three (3) [AA] bolts and three (3) [HH] flat washers to attach shelf 2 [L2] to post [A7].

- [AA] × 5
- [HH] × 5

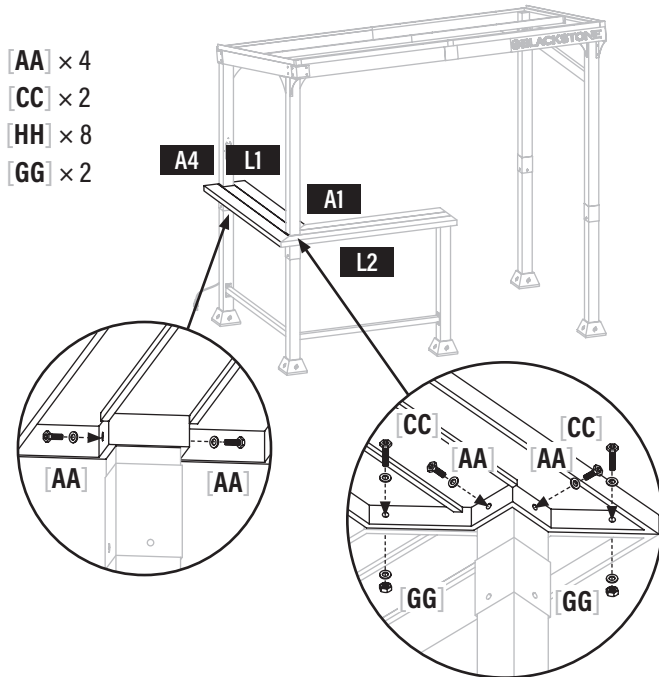




STEP 21 Use two (2) [AA] bolts and two (2) [HH] flat washers to attach shelf 1 [L1] to post [A4].

Use two (2) [AA] bolts and two (2) [HH] flat washers to attach shelf 1 [L1] to post [A1].

Use two (2) [CC] bolts, four (4) [HH] flat washers, and two (2) [GG] nuts to attach shelf 1 [L1] to shelf 2 [L2].

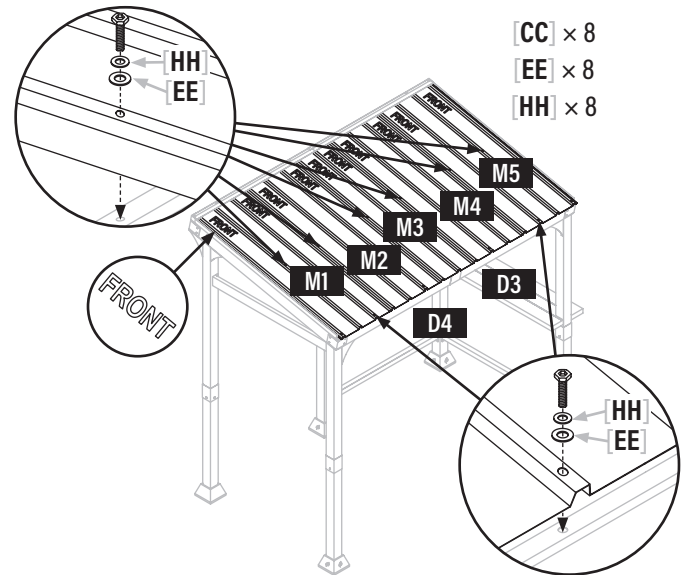


STEP 22 Note: DO NOT tighten the bolts completely until all the bolts and washers are properly installed.

Use six (6) [CC] bolts, six (6) [HH] flat washers, and six (6) [EE] sealant washers to attach roof panels [M1], [M2], [M3], [M4], and [M5] to roof top ribs [G1] and [G2].

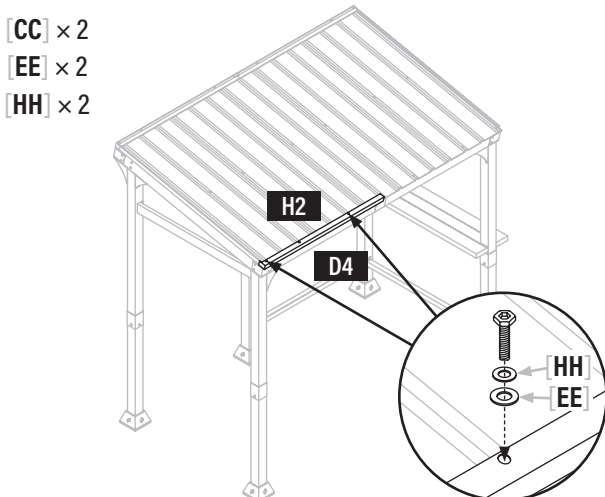
Use two (2) [CC] bolts, two (2) [HH] flat washers, and two (2) [EE] sealant washers to attach roof panels [M1], [M2], [M3], [M4], and [M5] to cross beams [D3] and [D4].

Note: If the holes don't align during the assembly, pull the cross-beams outward to align the holes.



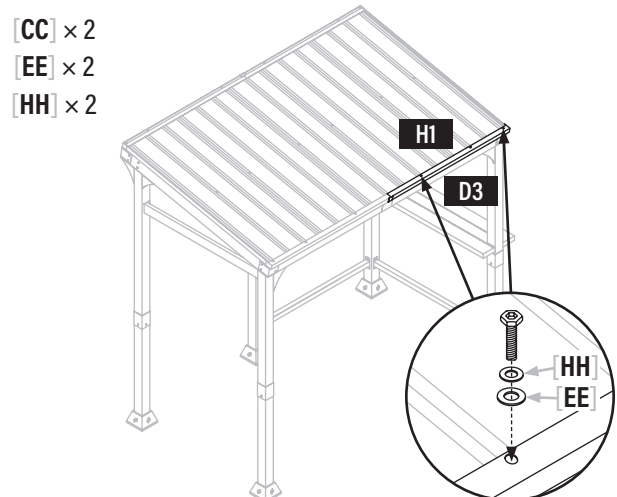
STEP 23 Note: DO NOT tighten the bolts completely until all the bolts and washers are properly installed.

Use two (2) [CC] bolts, two (2) [HH] flat washers, and two (2) [EE] sealant washers to attach gutter 2 [H2] to the roof panels and cross beam [D4].



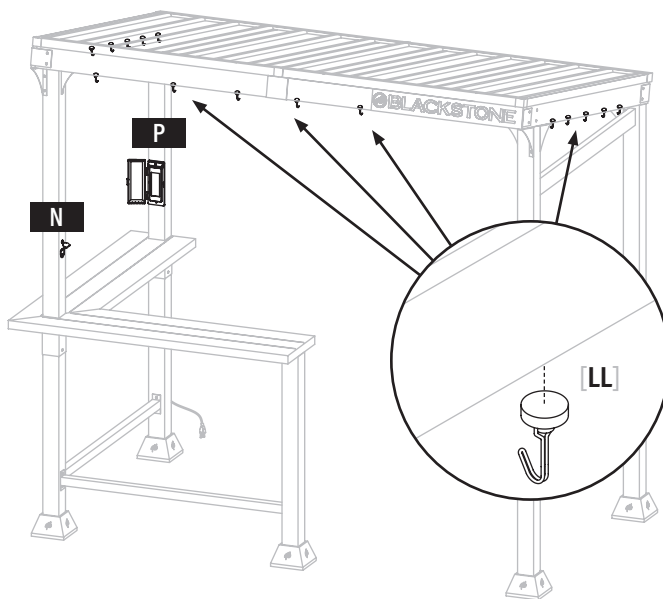
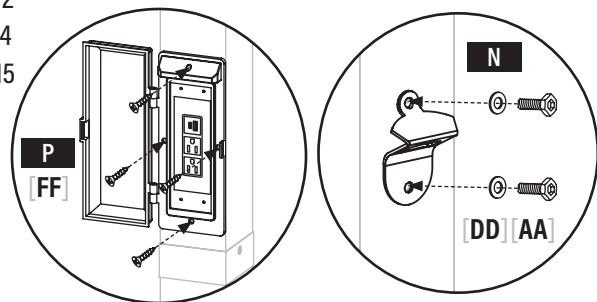
STEP 24 Note: DO NOT tighten the bolts completely until all the bolts and washers are properly installed.

Use two (2) [CC] bolts, two (2) [HH] flat washers, and two (2) [EE] sealant washers to attach gutter 1 [H1] to the roof panels and cross beam [D3].



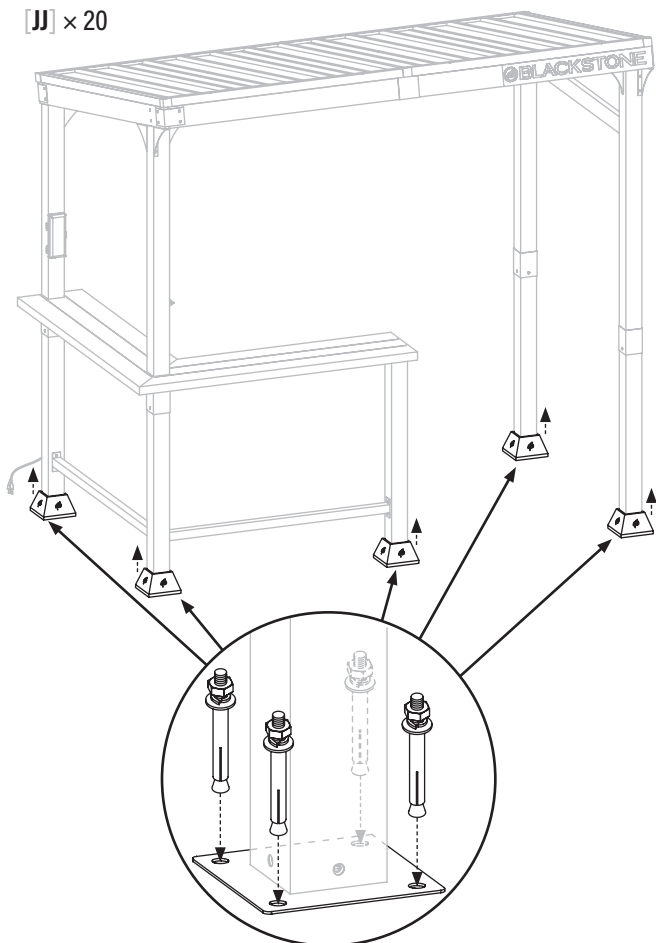
STEP 25 Use four (4) [FF] bolts to attach the electrical power cover [P] to post [A4].
 Use two (2) [AA] bolts and two [DD] flat washers to attach the bottle opener [N] to post [A1].
 Stick the magnetic hooks [LL] to the front cross beams and roof ribs. (5 per side is recommended.)

- [AA] × 2
- [DD] × 2
- [FF] × 4
- [LL] × 15



STEP 26 Use four (4) [JJ] expansion bolts to anchor each foot base [B].

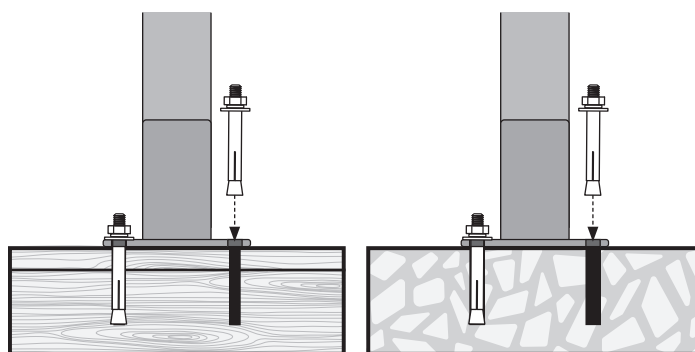
- [JJ] × 20



OUTDOOR STRUCTURE ANCHORING GUIDE

⚠ WARNING

If your **BLACKSTONE BAR & GRILL** is not properly anchored, damage could occur. It is highly recommended for maximum safety that you mount and secure to wood or concrete footers. This is far better and safer than using ground stakes.



WOOD

Anchors should be drilled into joists or reinforced blocking (not only deck boards).

CONCRETE

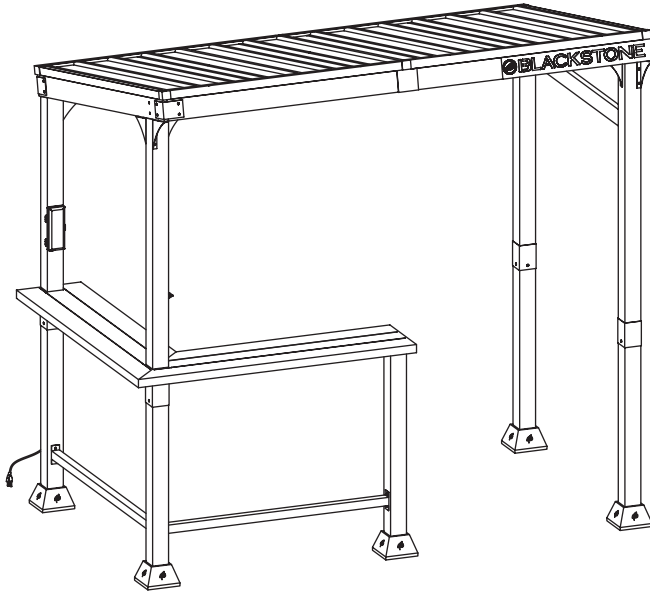
Use a 1/2" drill bit (not included) to pre-drill holes for concrete anchors.

If digging for foundation, please double check for possibility of any underground utilities such as gas, telephone, cable or sprinkler lines. Refer to your local building and city codes, ordinances, neighborhood covenants, or height restrictions regarding this type of structure for guidance on acceptable installation requirements. Consider consulting a licensed contractor for assistance in the anchoring of this product.



USING YOUR BLACKSTONE

Enjoy using your **BLACKSTONE BAR & GRILL!**



USING YOUR BLACKSTONE BAR & GRILL

The **BLACKSTONE BAR & GRILL** is intended for privacy, decorative and ornamental use only.

Product is NOT INTENDED for the following:

- A safety barrier to prevent unsupervised access to pools, hot tubs, spas or ponds.
- As load bearing support for a building, structure, heavy objects or swings.
- Used in structures that trap wind, rain or snow that would create extra load on the product.

⚠ CAUTION

DO NOT climb or walk on roof for any reason.

SNOW LOAD CAPACITY

12 lbs/ ft² = 480 lbs. of total snow load

Accumulated snow must be removed from roof.

WIND RATING

Beaufort scale 8 - Gale force winds (39-46 MPH)

The **BLACKSTONE BAR & GRILL** should not be used in inclement weather and high winds.

BLACKSTONE BACKYARD BAR & GRILL LIMITED WARRANTY

Blackstone Products warrants this Backyard Bar and Grill against defects in materials and workmanship for a period of one (1) year from the original date of purchase. To the extent any such defects occur, Blackstone Products will send the appropriate replacement part(s) at no charge.

This warranty does not cover:

- Inspection costs or labor for replacement of any defective part(s);
- Incidental or consequential damages;
- Cosmetic defects which DO NOT affect performance or integrity;
- Normal wear and tear;
- Damage due to vandalism; acts of nature, including but not limited to wind, storms, hail, floods;
- Improper assembly, installation, or use;
- Discoloration or fading of the finish as a result of exposure to chemicals, spills, pool or salt water
- Corrosion/ rust.

Your Backyard Bar and Grill has been designed for safety and quality. Any modifications made to the original product could compromise its structural integrity or function, and could lead to product failure or personal injury. As such, modifying this product voids any and all warranties.

This product is warranted for RESIDENTIAL USE ONLY, and is not for commercial, contract or other non-residential purposes. Blackstone Products disclaims all other representations and warranties of any kind, express or implied.

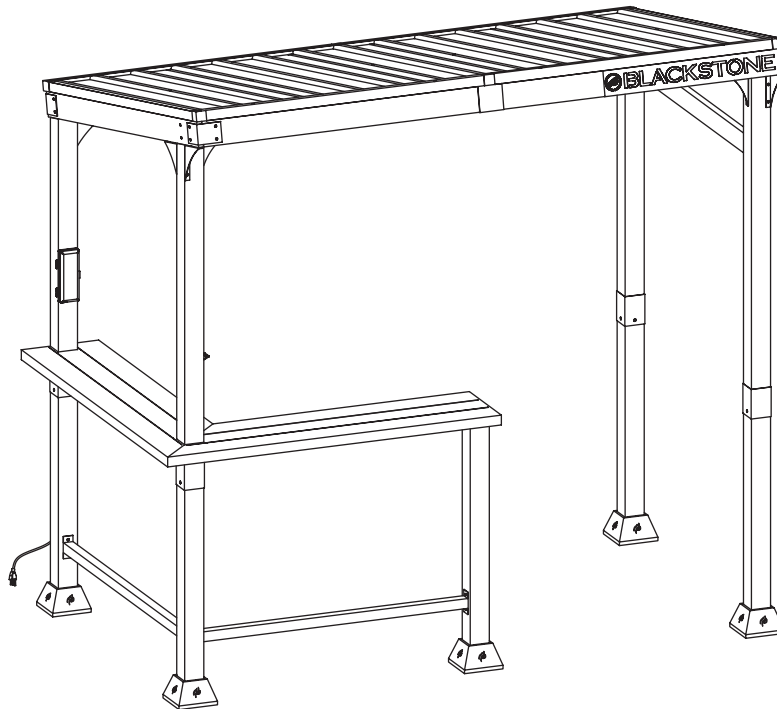
The warranty applies to the original purchaser and is non-transferable. It does not apply to purchases of display models, or when the product is sold on clearance or "as is". To activate your warranty, register your product at www.BlackstoneProducts.com/register.

North Atlantic Imports LLC makes no warranty whatsoever in respect to accessories or parts not supplied with it. This warranty shall apply only within the boundaries of the United States of America and Canada. This warranty gives the original purchaser specific rights, and the original purchaser may also have other rights, which vary from state to state.





This product may be covered by one or more issued U.S. and/or international patents and may include patent applications pending. For more information, please visit: BlackstoneProducts.com/patents



MANUEL DU PROPRIÉTAIRE

BAR ET GRILL 5' X 8'

TABLE DES MATIÈRES

GUIDE D'ASSEMBLAGE	02
UTILISATION DE VOTRE BLACKSTONE	11



Pour obtenir la dernière version de ce manuel, scannez ce code ou visitez BlackstoneProducts.com/support

IMPORTANT:

Ce manuel d'instructions contient des informations importantes nécessaires au montage correct et à l'utilisation en toute sécurité de l'appareil.

Lisez et suivez tous les avertissements et instructions avant d'assembler et d'utiliser l'appareil.

Suivez tous les avertissements et instructions lors de l'utilisation de l'appareil.

Conservez ce manuel pour référence ultérieure.

Installeur/Assembleur : Laisser ces instructions au consommateur.

CLÉ D'ALERTE DE SÉCURITÉ

⚠ DANGER

Indique une situation dangereuse qui, si elle n'est pas évitée, entraînera la mort ou des blessures graves.

⚠ ATTENTION

Indique une situation dangereuse qui, si elle n'est pas évitée, pourrait entraîner des blessures mineures ou modérées.

⚠ AVERTISSEMENT

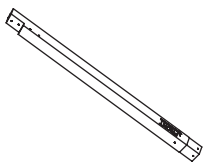
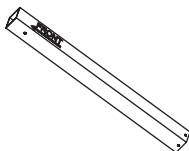

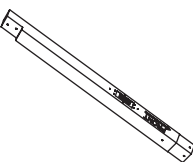
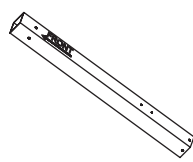
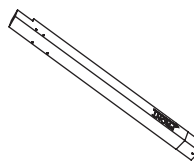
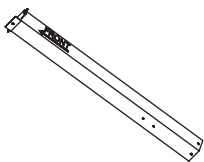
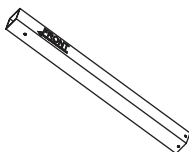
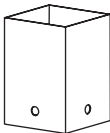

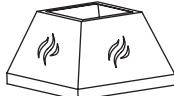
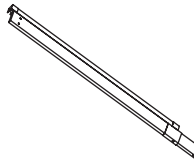
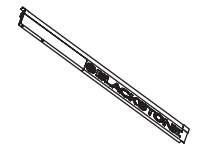

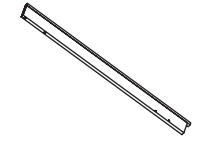
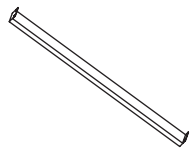
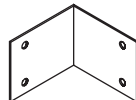
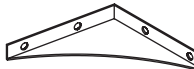
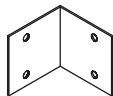
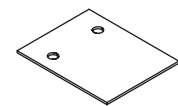


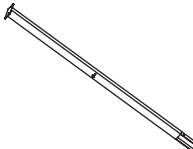
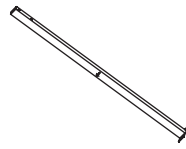
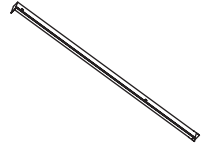
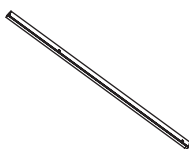
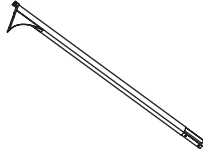
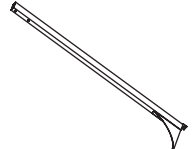
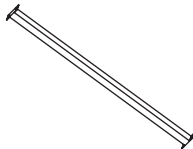
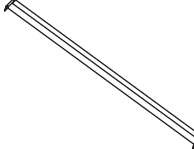



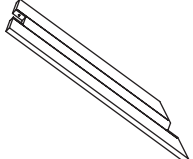
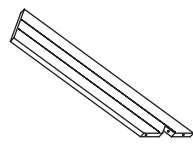
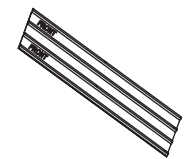
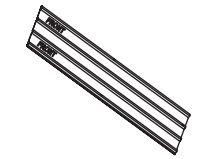

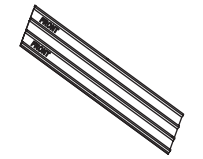
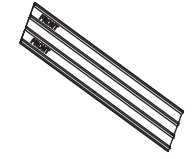
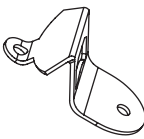
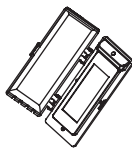
Indique une situation dangereuse qui, si elle n'est pas évitée, peut entraîner la mort ou des blessures graves.

AVIS

Indique des informations considérées comme importantes, mais non liées à un danger (par exemple, des messages liés à des dommages matériels).

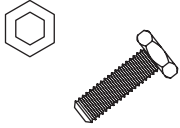
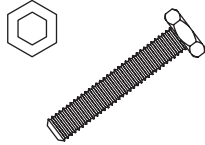
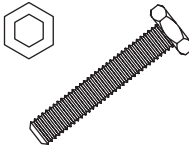
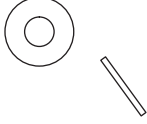
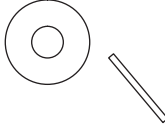
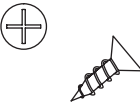
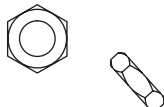

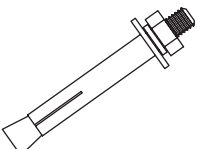
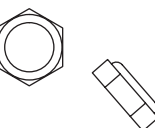

GUIDE D'ASSEMBLAGE

Liste des pièces


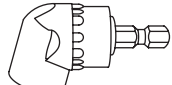
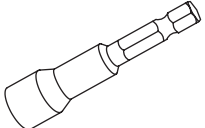
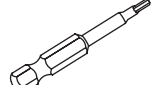
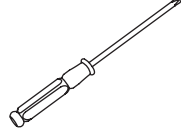
A1 Poteau 1 (1 pièce) 	A2 Poteau 2 (1 pièce) 	A3 Poteau 3 (1 pièce) 	A4 Poteau 4 (1 pièce) 	A5 Poteau 5 (1 pièce) 	A6 Poteau 6 (1 pièce) 
A7 Poteau 7 (1 pièce) 	A8 Poteau 8 (2 pièces) 	A9 Base de pied (5 pièces) 	B Base de pied (5 pièces) 	C Couvre-pied (5 pièces) 	D1 Traverse 1 (1 pièce) 
D2 Traverse 2 (1 pièce) 	D3 Traverse 3 (1 pièce) 	D4 Traverse 4 (1 pièce) 	D5 Traverse 5 (1 pièce) 	E1 Connecteur de traverse 1 (3 pièces) 	E2 Connecteur de traverse 2 (2 pièces) 
E3 Connecteur de traverse 3 (2 pièces) 	E4 Connecteur de traverse 4 (1 pièce) 	F1 Nervure de toit 1 (1 pièce) 	F2 Nervure de toit 2 (1 pièce) 	G1 Nervure de toit 1 (1 pièce) 	G2 Nervure de toit 2 (1 pièce) 
H1 Gouttière 1 (1 pièce) 	H2 Gouttière 2 (1 pièce) 	J1 Support supérieur 1 (1 pièce) 	J2 Support supérieur 2 (1 pièce) 	J3 Support inférieur 1 (1 pièce) 	J4 Support inférieur 2 (1 pièce) 
K1 Équerre de support 1 (1 pièce) 	K2 Équerre de support 2 (1 pièce) 	K3 Équerre de support 3 (2 pièces) 	L1 Étagère 1 (1 pièce) 	L2 Étagère 2 (1 pièce) 	M1 Panneau de toit 1 (1 pièce) 
M2 Panneau de toit 2 (1 pièce) 	M3 Panneau de toit 3 (1 pièce) 	M4 Panneau de toit 4 (1 pièce) 	M5 Panneau de toit 5 (2 pièces) 	N Ouvrebouteille (1 pièce) 	P Couvercle d'alimentation électrique (1 pièce) 



MATÉRIEL

<p>AA Boulons M6*20 (107+5 pièces)</p> 	<p>BB Boulons M6*30 (2 pièces)</p> 	<p>CC Boulons M6*35 (22+4 pièces)</p> 	<p>DD M6*14 Rondelle plate (14+2 pièces)</p> 	<p>EE Rondelle d'étanchéité (12+2 pièces)</p> 	<p>FF Boulons M3x10 (4 pièces)</p> 
<p>GG Écrous M6 (4 pièces)</p> 	<p>HH Rondelle plate M6*16 (121+10 pièces)</p> 	<p>JJ Ancrage à béton M8x70 (20 pièces)</p> 	<p>KK Bouchon en plastique (12 pièces)</p> 	<p>LL Crochet magnétique (15 pièces)</p> 	

OUTILS INCLUS

<p>Z1 Clé à fourche double (1 pièce)</p> 	<p>Z2 Adaptateur pour perceuse d'angle (1 pièce)</p> 	<p>Z3 Tournevis à douille hexagonale 10 mm x 65 mm (1 pièce)</p> 	<p>Z4 Foret hexagonal 4mm x 50mm (1 pièce)</p> 	<p>Z5 Tournevis M3 (1 pièce)</p> 
--	--	--	---	--

Suivez tous les avertissements de sécurité fournis avec vos outils.

Un escabeau (non inclus) est requis pour le montage.
 Vérifiez les composants par rapport à la liste des pièces et assurez-vous qu'il ne manque aucune pièce.
 Étendez les pièces sur du carton ou un tapis doux pour aider à protéger les pièces des égratignures.

INSTRUCTIONS DE MONTAGE

Trouvez une grande surface propre pour assembler votre appareil.
Retirez tous les matériaux d'emballage avant l'assemblage.

⚠ ATTENTION

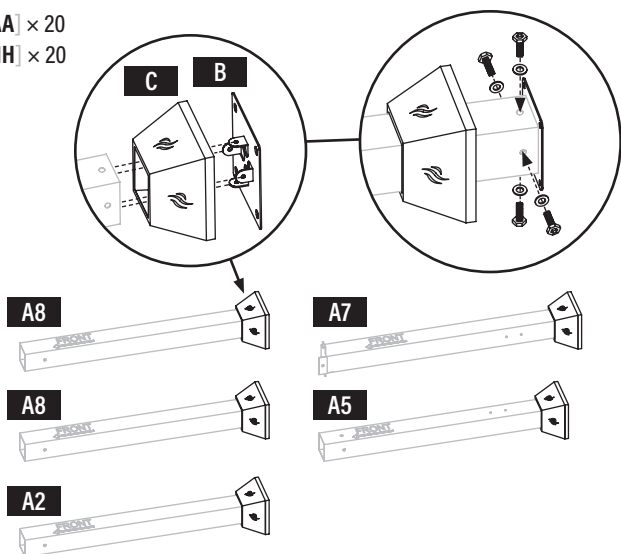
Bouts pointus. Portez des gants lors de l'assemblage.

ÉTAPE 01 Faites glisser un (1) couvercle de base de pied **C** sur un (1) poteau 8 **A8**.

Utilisez quatre (4) boulons **AA** et quatre (4) rondelles plates **HH** pour fixer une (1) base de pied **B** au bas du poteau 8 **A8**.

Répétez avec l'autre poteau 8 **A8** et les poteaux **A7**, **A5** et **A2**.

AA × 20
HH × 20



ÉTAPE 02 Tirez le cordon électrique à travers la prise sur la borne 5 **A5**.

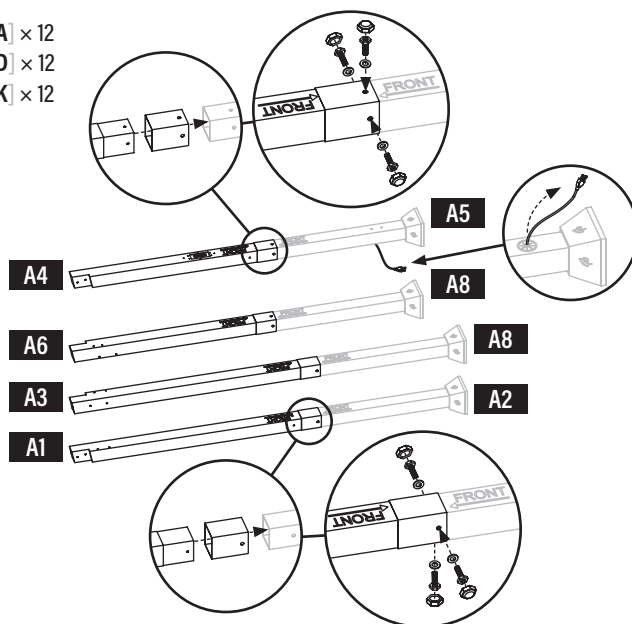
Utilisez trois (3) capuchons en plastique **KK**, trois (3) boulons **AA** et trois (3) rondelles plates **DD** pour fixer le poteau 4 **A4** et le poteau 5 **A5**. Remarque : Les flèches FRONT doivent se faire face.

Répétez avec le poteau 6 **A6** à un (1) poteau 8 **A8**.

Utilisez trois (3) capuchons en plastique **KK**, trois (3) boulons **AA** et trois (3) rondelles plates **DD** pour fixer le poteau 3 **A3** et un (1) poteau 8 **A8**.

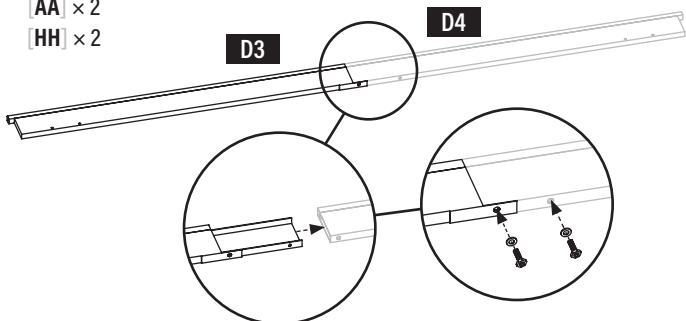
Répétez avec le poteau 1 **A1** et le poteau 2 **A2**.

AA × 12
DD × 12
KK × 12



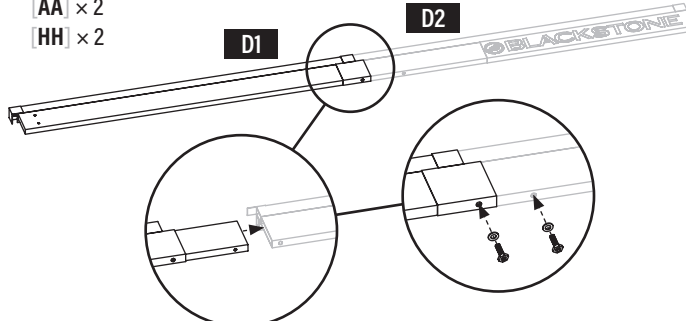
ÉTAPE 03 Utilisez deux (2) boulons **AA** et deux (2) rondelles plates **HH** pour fixer la traverse 3 **D3** et la traverse 4 **D4**.

AA × 2
HH × 2



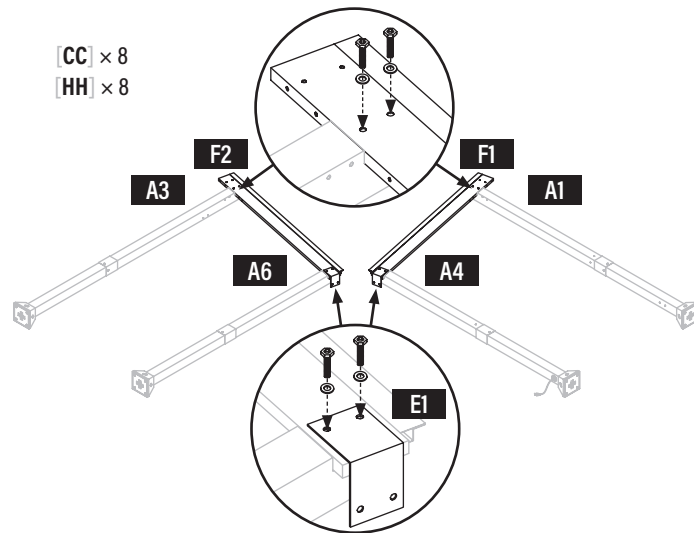
ÉTAPE 04 Utilisez deux (2) boulons **AA** et deux (2) rondelles plates **HH** pour fixer la traverse 1 **D1** et la traverse 2 **D2**.

AA × 2
HH × 2

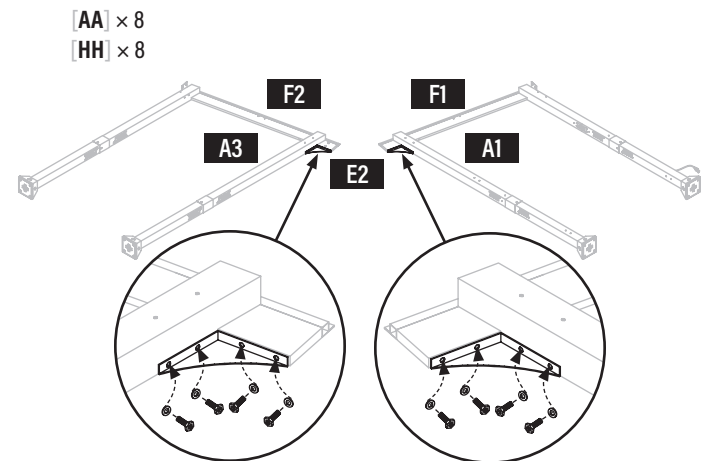




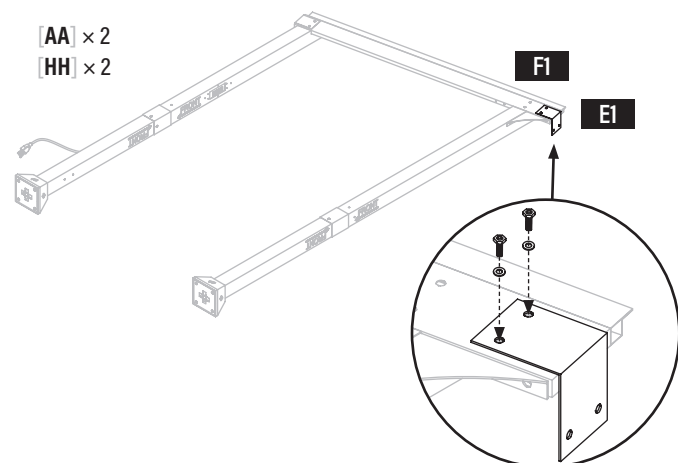
ÉTAPE 05 Utilisez deux (2) boulons [CC] et deux (2) rondelles plates [HH] pour fixer l'ensemble de montant A3 à la nervure de toit 2 F2. Répétez avec l'ensemble de montant A1 et la nervure de toit 1 F1. Utilisez deux (2) boulons [CC] et deux (2) rondelles plates [HH] pour fixer un (1) connecteur de poutre transversale 1 E1 et l'assemblage de poteau A6 à la nervure de toit 2 F2. Répétez l'opération avec un (1) connecteur de poutre transversale 1 E1, l'assemblage de poteau A4 et la nervure de toit 1 F1.



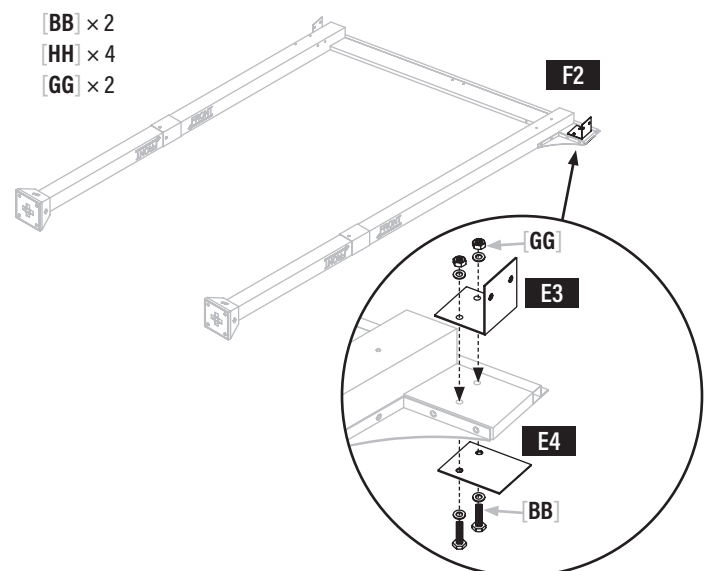
ÉTAPE 06 Utilisez quatre (4) boulons [AA] et quatre (4) rondelles plates [HH] pour fixer un (1) connecteur de poutre transversale 2 E2 à la nervure de toit 2 F2 et à l'assemblage de montant A3. Utilisez quatre (4) boulons [AA] et quatre (4) rondelles plates [HH] pour fixer un (1) connecteur de poutre transversale 2 E2 à la nervure de toit 1 F1 et à l'ensemble de montant A1.



ÉTAPE 07 Utilisez deux (2) boulons [AA] et deux (2) rondelles plates [HH] pour fixer un (1) connecteur de traverse 1 E1 à la nervure de toit 1 F1.



ÉTAPE 08 Utilisez deux (2) boulons [BB], quatre (4) rondelles plates [HH] et deux (2) écrous [GG] pour fixer le connecteur de traverse 4 E4 et un (1) connecteur de traverse 3 E3 à la nervure de toit 2 F2.



ÉTAPE 09 Remarque: Ne serrez pas complètement les boulons tant que tous les boulons et rondelles ne sont pas correctement installés.

Utilisez quatre (4) boulons [AA] et quatre (4) rondelles plates [HH] pour fixer un (1) support de support 3 [K3] à l'assemblage de poteau [A3] et à l'assemblage de nervure de toit [F2].

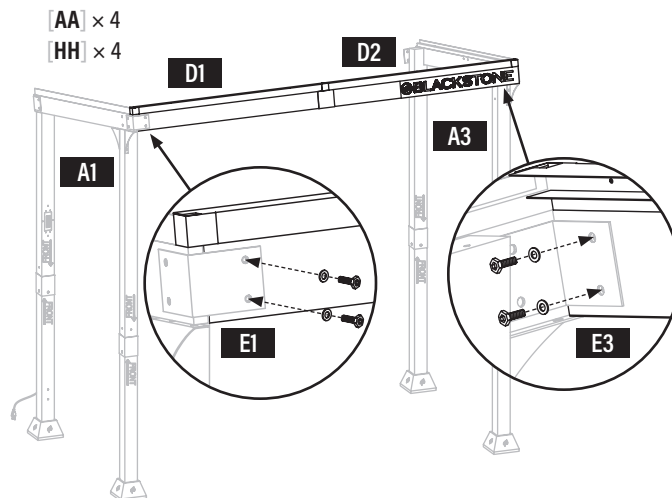
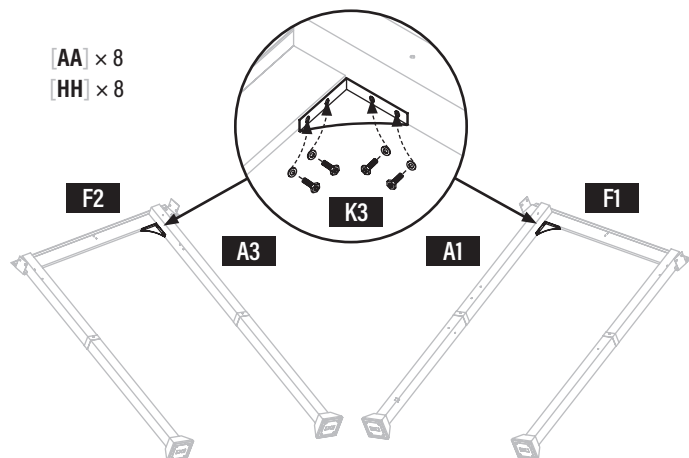
Utilisez quatre (4) boulons [AA] et quatre (4) rondelles plates [HH] pour fixer un (1) support de support 3 [K3] à l'assemblage de poteau [A1] et à l'assemblage de nervure de toit [F1].

ÉTAPE 10 Utilisez deux (2) boulons [AA] et deux (2) rondelles plates [HH] pour fixer la traverse [D1] à un (1) connecteur de traverse 1 [E1].

Remarque: les étiquettes FRONT doivent être orientées vers l'avant.

Utilisez deux (2) boulons [AA] et deux (2) rondelles plates [HH] pour fixer la traverse [D2] à un (1) connecteur de traverse 3 [E3].

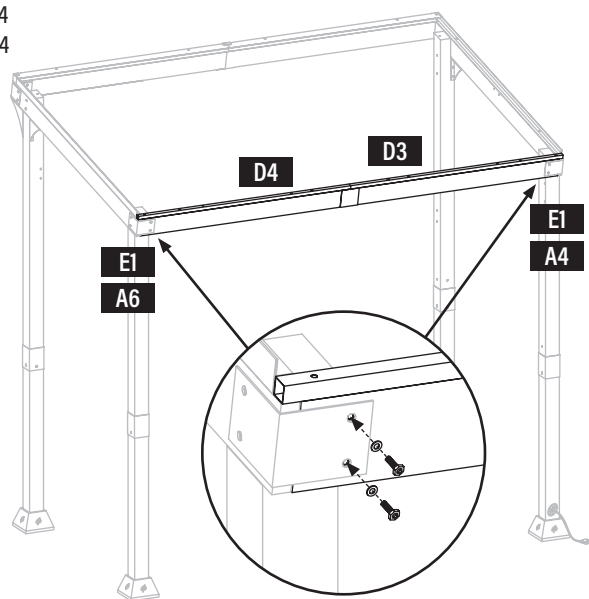
[AA] × 8
[HH] × 8



ÉTAPE 11. Utilisez deux (2) boulons [AA] et deux (2) rondelles plates [HH] pour fixer la traverse [D4] à un (1) connecteur de traverse 1 [E1].

Utilisez deux (2) boulons [AA] et deux (2) rondelles plates [HH] pour fixer la traverse [D3] à un (1) connecteur de traverse 1 [E1].

[AA] × 4
[HH] × 4

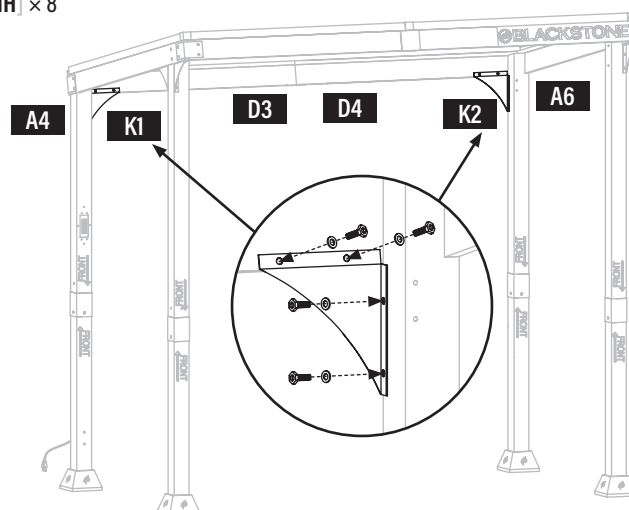


ÉTAPE 12 Remarque: Ne serrez pas complètement les boulons tant que tous les boulons et rondelles ne sont pas correctement installés.

Utilisez quatre (4) boulons [AA] et quatre (4) rondelles plates [HH] pour fixer le support 1 [K1] à l'ensemble de poteau [A4] et à la traverse [D3].

Utilisez quatre (4) boulons [AA] et quatre (4) rondelles plates [HH] pour fixer le support 2 [K2] à l'ensemble de poteau [A6] et à la traverse [D4].

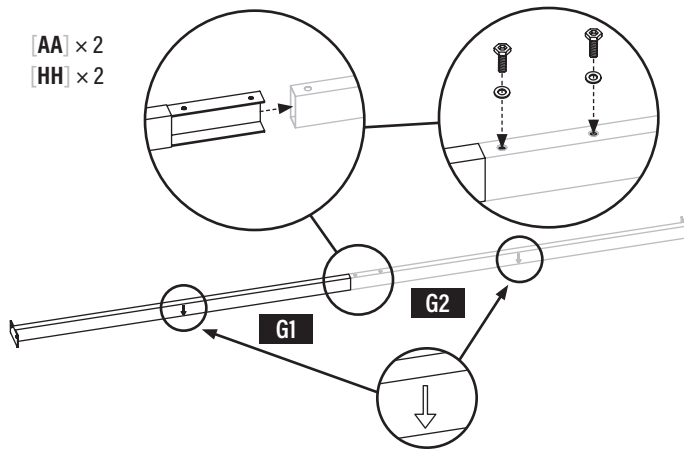
[AA] × 8
[HH] × 8



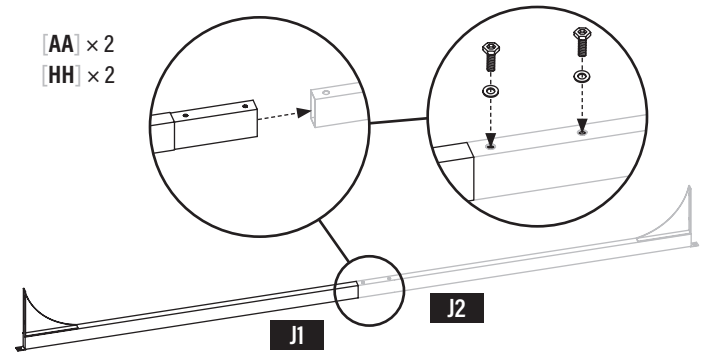


ÉTAPE 13 Utilisez deux (2) boulons [AA] et deux (2) rondelles plates [HH] pour fixer la nervure supérieure du toit 1 [G1] à la nervure supérieure du toit 2 [G2].

Remarque: les FLECHES doivent être orientées dans la même direction.

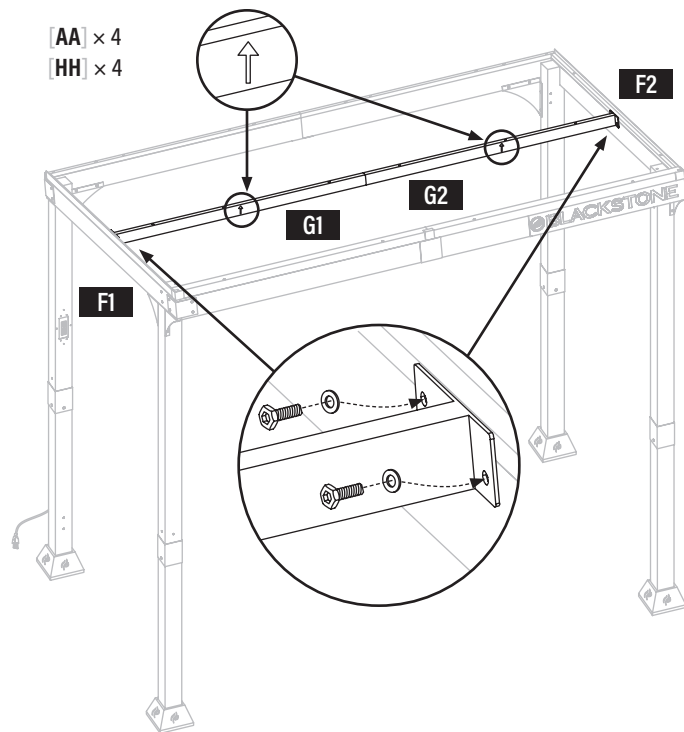


ÉTAPE 14 Utilisez deux (2) boulons [AA] et deux (2) rondelles plates [HH] pour fixer le support supérieur 1 [J1] au support supérieur 2 [J2].



ÉTAPE 15 Utilisez deux (2) boulons [AA] et deux (2) rondelles plates [HH] pour fixer la nervure supérieure du toit 1 [G1] à la nervure du toit [F1].

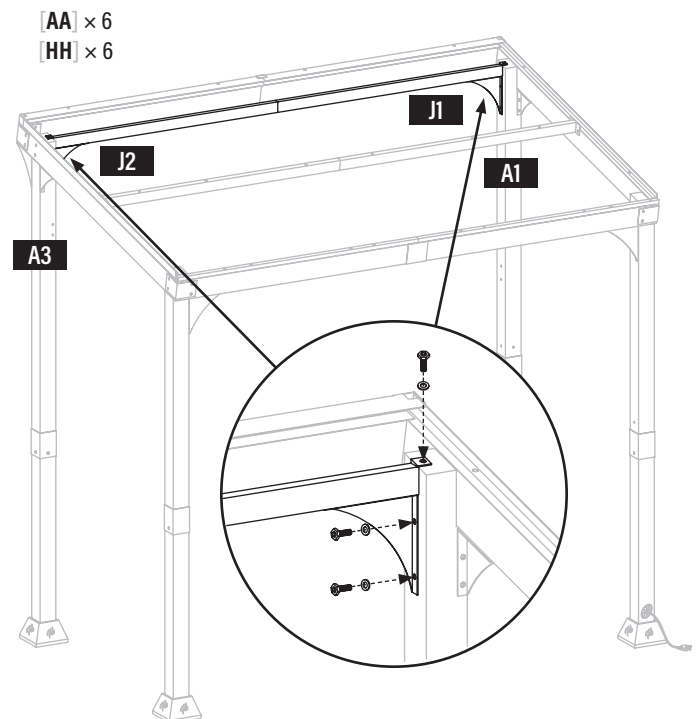
Utilisez deux (2) boulons [AA] et deux (2) rondelles plates [HH] pour fixer la nervure supérieure du toit 2 [G2] à la nervure du toit [F2].



ÉTAPE 16 Remarque: Ne serrez pas complètement les boulons tant que tous les boulons et rondelles ne sont pas correctement installés.

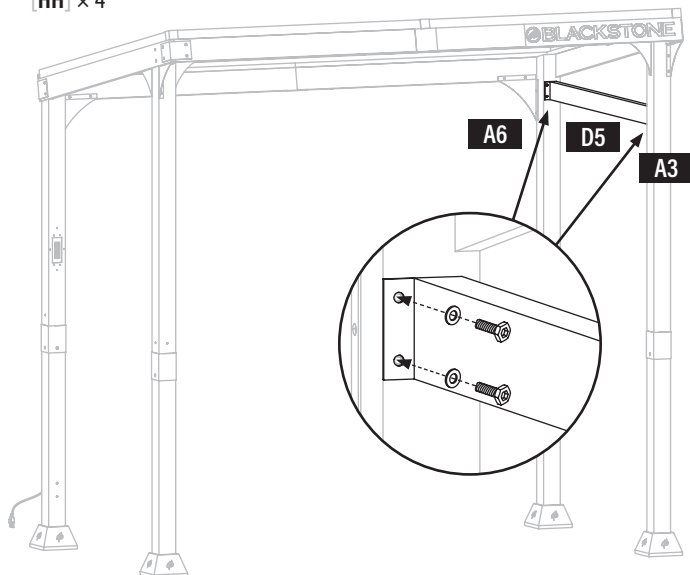
Utilisez trois (3) boulons [AA] et trois (3) rondelles plates [HH] pour fixer le support supérieur 1 [J1] à l'ensemble de poteau [A1].

Utilisez trois (3) boulons [AA] et trois (3) rondelles plates [HH] pour fixer le support supérieur 2 [J2] à l'ensemble de poteau [A3].



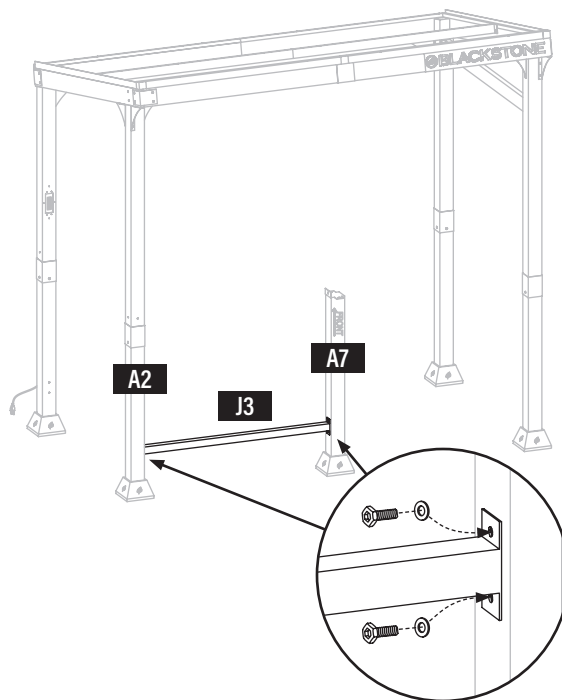
ÉTAPE 17. Utilisez quatre (4) boulons [AA] et quatre (4) rondelles plates [HH] pour fixer la traverse 5 [D5] à l'ensemble de poteau [A6] et à l'ensemble de poteau [A3].

[AA] × 4
[HH] × 4



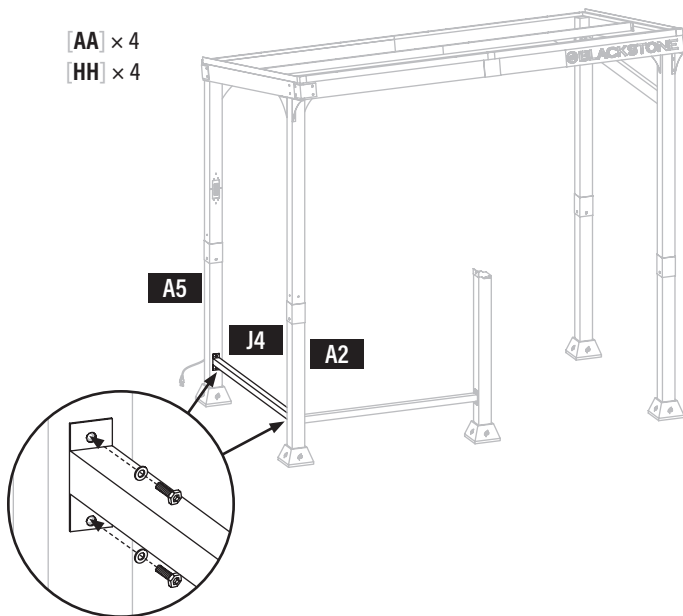
ÉTAPE 18. Utilisez quatre (4) boulons [AA] et quatre (4) rondelles plates [GG] pour fixer le support inférieur 1 [J3] à l'ensemble de poteau [A2] et à l'ensemble de poteau [A7].

[AA] × 4
[HH] × 4



ÉTAPE 19. Utilisez quatre (4) boulons [AA] et quatre (4) rondelles plates [HH] pour fixer le support inférieur 2 [J4] aux montants [A5] et [A2].

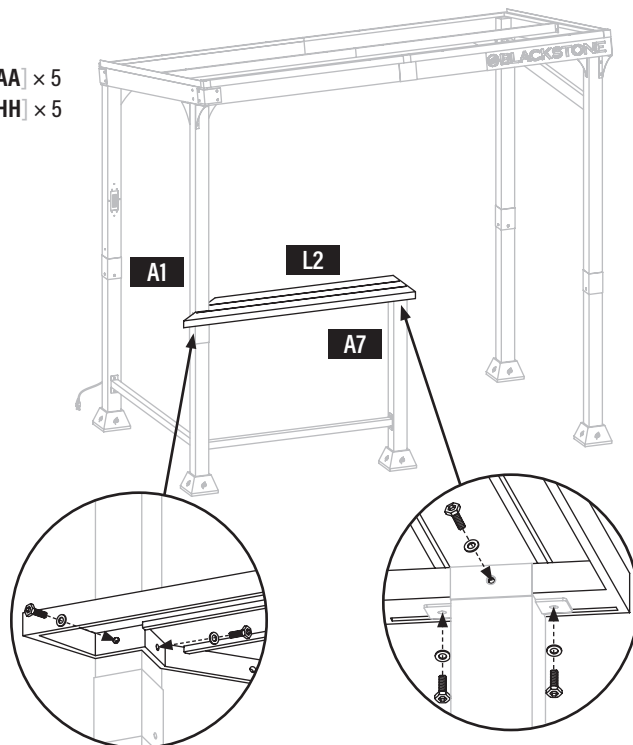
[AA] × 4
[HH] × 4



ÉTAPE 20. Utilisez deux (2) boulons [AA] et deux (2) rondelles plates [HH] pour fixer la tablette 2 [L2] au montant [A1].

Utilisez trois (3) boulons [AA] et trois (3) rondelles plates [HH] pour fixer la tablette 2 [L2] au montant [A7].

[AA] × 5
[HH] × 5



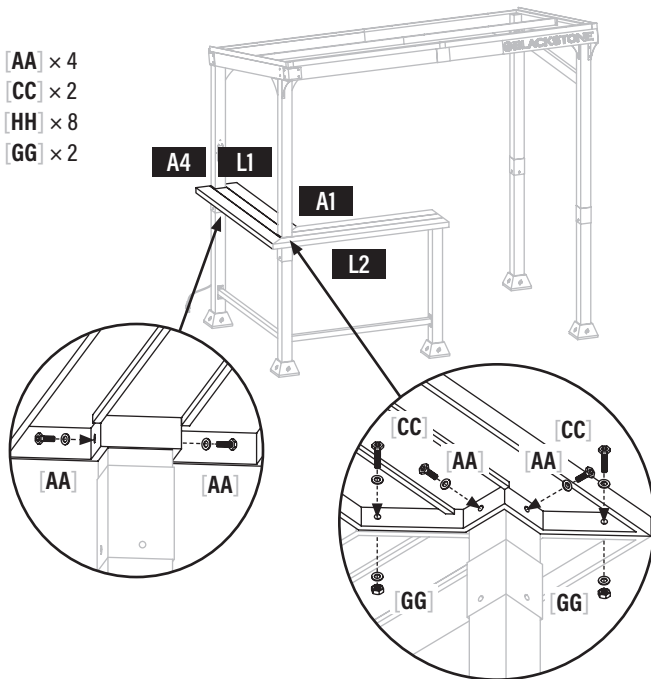


ÉTAPE 21 Utilisez deux (2) boulons [AA] et deux (2) rondelles plates [HH] pour fixer la tablette 1 [L1] au montant [A4].

Utilisez deux (2) boulons [AA] et deux (2) rondelles plates [HH] pour fixer la tablette 1 [L1] au montant [A1].

Utilisez deux (2) boulons [CC], quatre (4) rondelles plates [HH] et deux (2) écrous [GG] pour fixer l'étagère 1 [L1] à l'étagère 2 [L2].

- [AA] × 4
- [CC] × 2
- [HH] × 8
- [GG] × 2

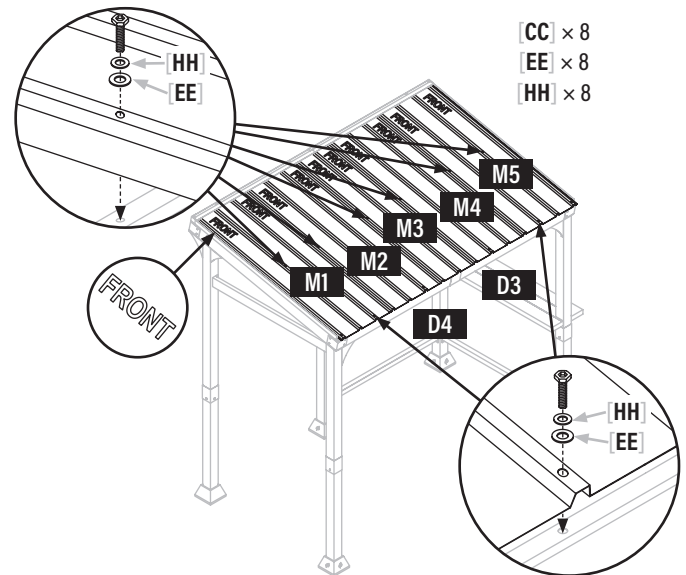


ÉTAPE 22 **Remarque:** Ne serrez pas complètement les boulons tant que tous les boulons et rondelles ne sont pas correctement installés.

Utilisez six (6) boulons [CC], six (6) rondelles plates [HH] et six (6) rondelles d'étanchéité [EE] pour fixer les panneaux de toit [M1, M2, M3, M4, et M5] aux nervures du toit [G1 et G2].

Utilisez deux (2) boulons [CC], deux (2) rondelles plates [HH] et deux (2) rondelles d'étanchéité [EE] pour fixer les panneaux de toit [M1, M2, M3, M4, et M5] pour croiser les poutres [D3 et D4].

Remarque: Si les trous ne s'alignent pas lors de l'assemblage, tirez les traverses vers l'extérieur pour aligner les trous.



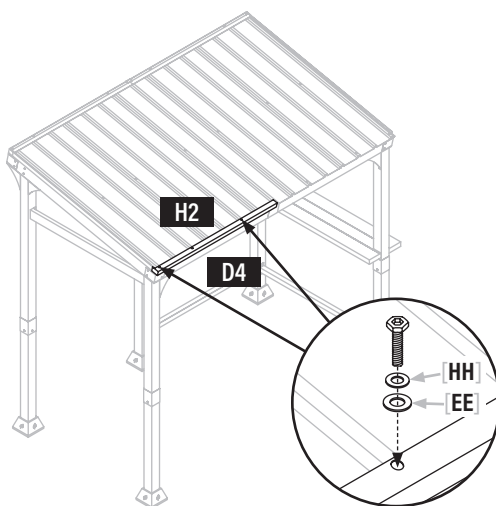
- [CC] × 8
- [EE] × 8
- [HH] × 8

FRANÇAIS

ÉTAPE 23 **Remarque:** Ne serrez pas complètement les boulons tant que tous les boulons et rondelles ne sont pas correctement installés.

Utilisez deux (2) boulons [CC], deux (2) rondelles plates [HH] et deux (2) rondelles d'étanchéité [EE] pour fixer la gouttière 2 [H2] aux panneaux de toit et à la traverse [D4].

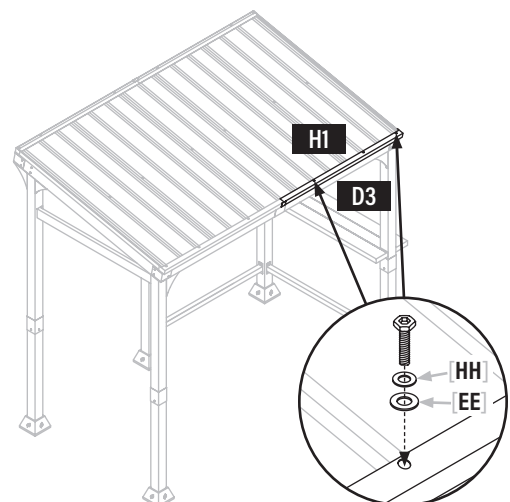
- [CC] × 2
- [EE] × 2
- [HH] × 2



ÉTAPE 24 **Remarque:** Ne serrez pas complètement les boulons tant que tous les boulons et rondelles ne sont pas correctement installés.

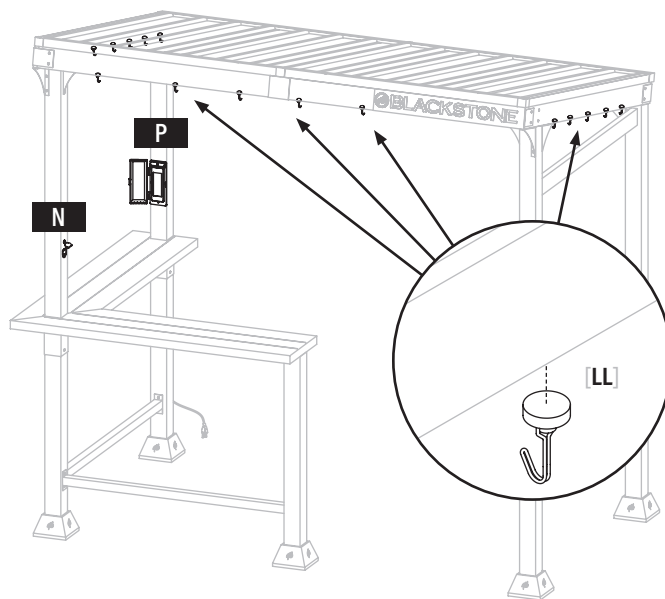
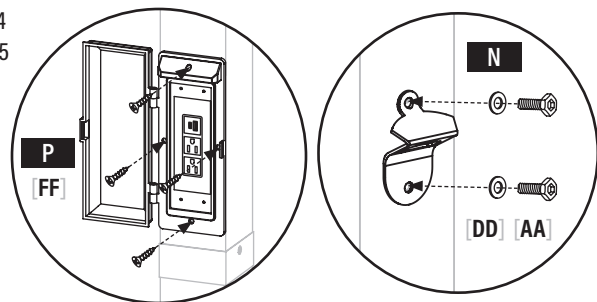
Utilisez deux (2) boulons [CC], deux (2) rondelles plates [HH] et deux (2) rondelles d'étanchéité [EE] pour fixer la gouttière 1 [H1] aux panneaux de toit et à la traverse [D3].

- [CC] × 2
- [EE] × 2
- [HH] × 2



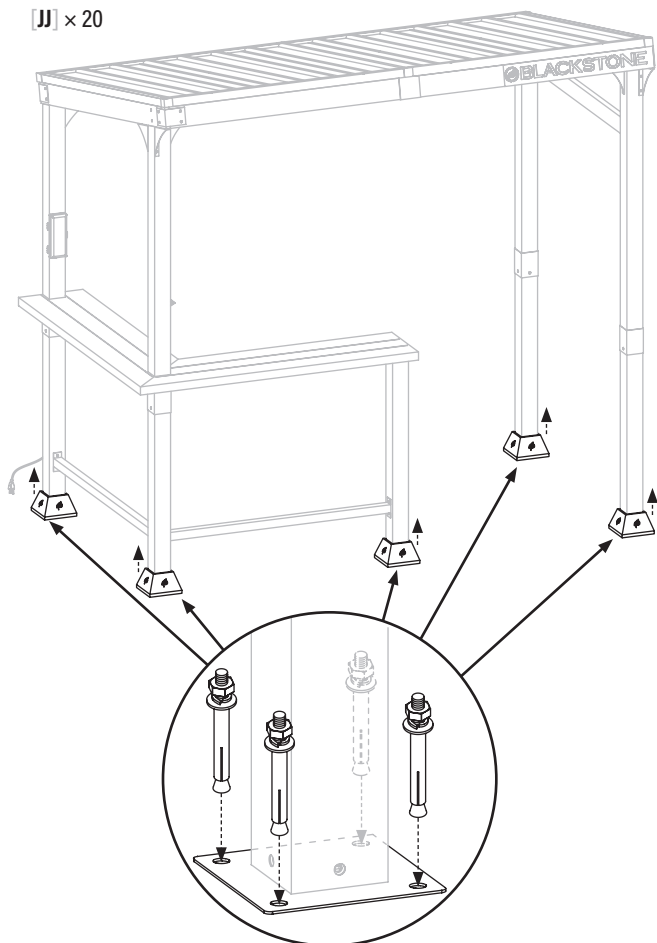
ÉTAPE 25 Utilisez quatre (4) boulons [FF] pour fixer le couvercle d'alimentation électrique [P] à la borne [A4]. Utilisez deux (2) boulons [AA] et deux rondelles plates [DD] pour fixer le décap-sueur [N] au montant [A1]. Collez les crochets magnétiques [LL] sur les traverses avant et les nervures du toit. (5 par côté est recommandé.)

- [AA] × 2
- [DD] × 2
- [FF] × 4
- [LL] × 15



ÉTAPE 26 Utilisez quatre (4) boulons à expansion [JJ] pour ancrer chaque base de pied de poteau [B].

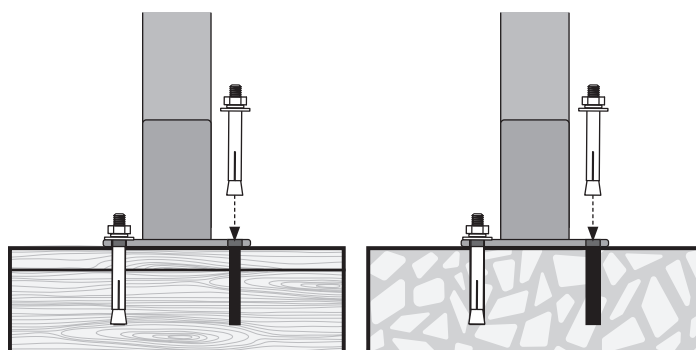
- [JJ] × 20



GUIDE D'ANCRAGE DE STRUCTURE EXTÉRIEURE

⚠ AVERTISSEMENT

Si votre **BLACKSTONE BAR & GRILL** n'est pas correctement ancré, des dommages pourraient survenir. Il est fortement recommandé, pour une sécurité maximale, de monter et de fixer sur des semelles en bois ou en béton. C'est bien mieux et plus sûr que d'utiliser des piquets au sol.



BOIS

Les ancrages doivent être percés dans les solives ou les blocs renforcés (pas seulement les planches de terrasse).

BÉTON

Utilisez un foret de 1/2" (non inclus) pour pré-percer des trous pour les ancrages en béton.

Si vous creusez pour les fondations, veuillez revérifier la possibilité d'installations souterraines telles que des lignes de gaz, de téléphone, de câble ou de gicleurs.

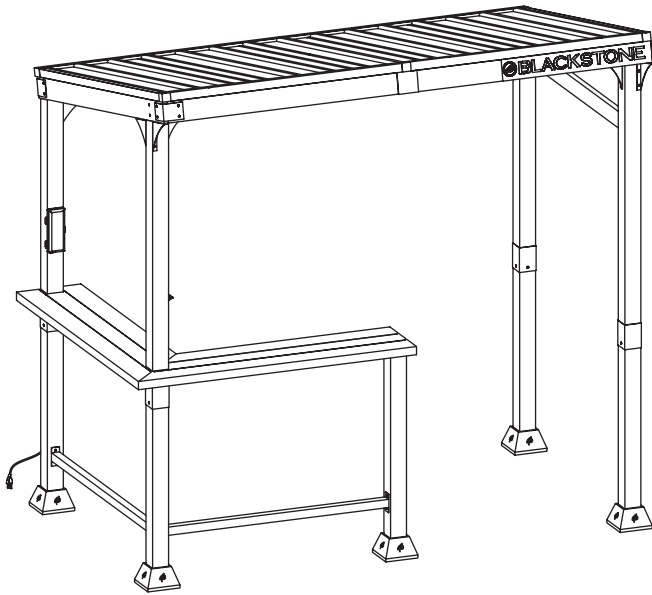
Reportez-vous aux codes locaux du bâtiment et de la ville, aux ordonnances, aux conventions de voisinage ou aux restrictions de hauteur concernant ce type de structure pour obtenir des conseils sur les exigences d'installation acceptables.

Envisagez de consulter un entrepreneur agréé pour obtenir de l'aide pour l'ancrage de ce produit.



UTILISATION DE VOTRE BLACKSTONE

Profitez de votre **BLACKSTONE BAR & GRILL!**



UTILISATION DE VOTRE BLACKSTONE BAR & GRILL

Le **BLACKSTONE BAR & GRILL** est destiné à un usage privé, décoratif et ornemental uniquement.

Le produit n'est PAS DESTINÉ pour les éléments suivants:

- Une barrière de sécurité pour empêcher l'accès non surveillé aux piscines, bains à remous, spas ou étangs.
- Comme support de charge pour un bâtiment, une structure, des objets lourds ou des balançoires.
- Utilisé dans les structures qui emprisonnent le vent, la pluie ou la neige qui créeraient une charge supplémentaire sur le produit.

⚠ ATTENTION

NE PAS grimper ou marcher sur le toit pour quelque raison que ce soit.

CAPACITÉ DE CHARGE DE NEIGE

12 lb/pi² = 480 lb. de la charge de neige totale

La neige accumulée doit être enlevée du toit.

COTE DE VENT

Échelle de Beaufort 8 - Vents de force coup de vent (39-46 MPH)

Le **BLACKSTONE BAR & GRILL** ne doit pas être utilisé par mauvais temps et par vent fort.

GARANTIE LIMITÉE BLACKSTONE BACKYARD BAR & GRILL

Blackstone Products garantit ce Backyard Bar and Grill contre les défauts de matériaux et de fabrication pendant une période d'un (1) an à compter de la date d'achat d'origine. Dans la mesure où de tels défauts se produisent, Blackstone Products enverra la ou les pièces de rechange appropriées sans frais.

Cette garantie ne couvre pas:

- Frais d'inspection ou main-d'œuvre pour le remplacement de toute pièce défectueuse ;
- Dommages indirects ou consécutifs ;
- Défauts esthétiques qui n'affectent pas les performances ou l'intégrité ;
- L'usure normale ;
- Dommages dus au vandalisme ; les catastrophes naturelles, y compris, mais sans s'y limiter, le vent, les tempêtes, la grêle, les inondations ;
- Assemblage, installation ou utilisation incorrects ;
- Décoloration ou décoloration de la finition à la suite d'une exposition à des produits chimiques, à des déversements, à de l'eau de piscine ou salée
- Corrosion/rouille.

Votre Backyard Bar and Grill a été conçu pour la sécurité et la qualité. Toute modification apportée au produit d'origine pourrait compromettre son intégrité structurelle ou sa fonction, et pourrait entraîner une défaillance du produit ou des blessures. En tant que tel, la modification de ce produit annule toutes les garanties.

Ce produit est garanti UNIQUEMENT POUR UN USAGE RÉSIDENTIEL et n'est pas destiné à des fins commerciales, contractuelles ou à d'autres fins non résidentielles. Blackstone Products décline toute autre représentation et garantie de quelque nature que ce soit, expresse ou implicite.

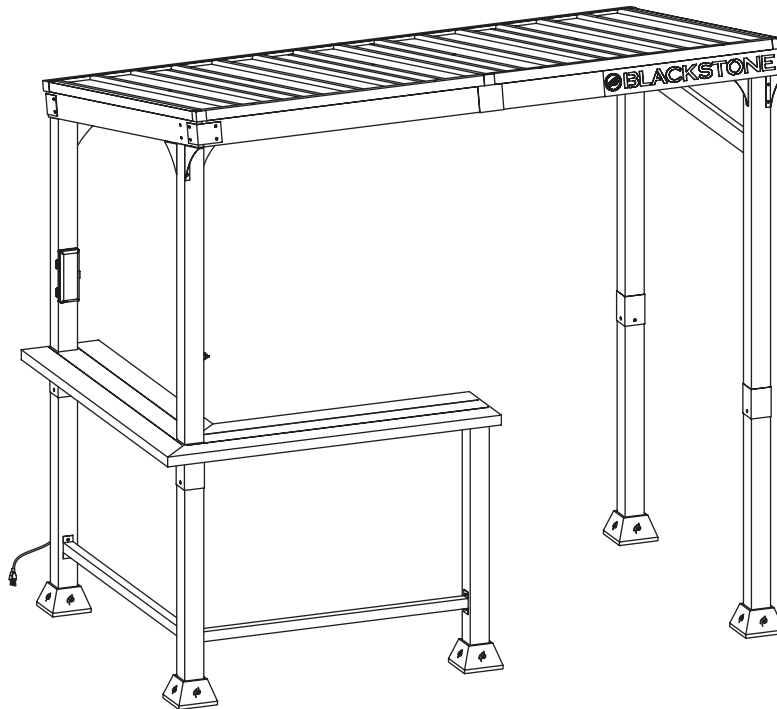
La garantie s'applique à l'acheteur d'origine et n'est pas transférable. Elle ne s'applique pas aux achats de modèles d'affichage, ou lorsque le produit est vendu en liquidation ou « tel quel ». Pour activer votre garantie, enregistrez votre produit sur www.BlackstoneProducts.com/register.

North Atlantic Imports LLC n'offre aucune garantie quant aux accessoires ou pièces non fournis avec. Cette garantie ne s'applique qu'à l'intérieur des frontières des États-Unis d'Amérique et du Canada. Cette garantie donne à l'acheteur d'origine des droits spécifiques, et l'acheteur d'origine peut également avoir d'autres droits, qui varient d'un état à l'autre.





Ce produit peut être couvert par un ou plusieurs brevets américains et/ou internationaux délivrés et peut inclure des demandes de brevet en instance. Pour plus d'informations, rendez-vous sur: BlackstoneProducts.com/patents



MANUAL DEL PROPIETARIO

BAR Y PARRILLA DE 5' X 8'

TABLA DE CONTENIDO

GUÍA DE MONTAJE.....	02
USANDO SU BLACKSTONE.....	11



Para obtener la última versión de este manual, escanee este código o visite BlackstoneProducts.com/support

IMPORTANTE:

Este manual de instrucciones contiene información importante necesaria para el correcto montaje y uso seguro del aparato.

Lea y siga todas las advertencias e instrucciones antes de ensamblar y usar el aparato.

Siga todas las advertencias e instrucciones cuando utilice el aparato.

Guarde este manual para referencia futura.

Instalador/Ensamblador: Deje estas instrucciones con el consumidor.

CLAVE DE ALERTA DE SEGURIDAD

⚠ PELIGRO

Indica una situación peligrosa que, si NO SE evita, provocará la muerte o lesiones graves.

⚠ ATENCIÓN

Indica una situación peligrosa que, si NO SE evita, podría provocar lesiones leves o moderadas.

⚠ ADVERTENCIA

Indica una situación peligrosa que, si NO SE evita, podría provocar la muerte o lesiones graves.

AVISO

Indica información que se considera importante, pero no relacionada con peligros (por ejemplo, mensajes relacionados con daños a la propiedad).

GUÍA DE MONTAJE

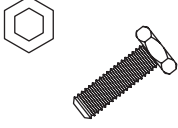
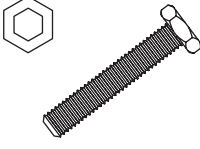
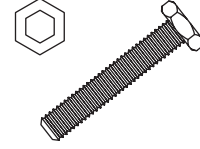
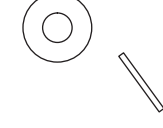
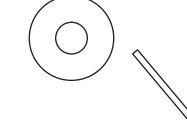
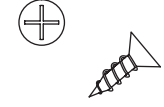
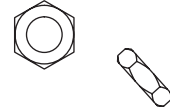

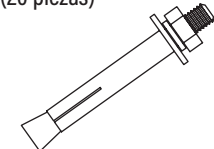
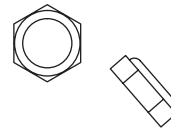

LISTA DE PARTES

A1 Publicación 1 (1 pieza) 	A2 Publicación 2 (1 pieza) 	A3 Publicación 3 (1 pieza) 	A4 Publicación 4 (1 pieza) 	A5 Puesto 5 (1 pieza) 	A6 Puesto 6 (1 pieza)
A7 Puesto 7 (1 pieza) 	A8 Puesto 8 (2 piezas) 	A9 Base de pie (5 piezas) 	B Pie de base (5 piezas) 	C Cubierta de la base del pie (5 piezas) 	D1 Travesaño 1 (1 pieza)
D2 Viga transversal 2 (1 pieza) 	D3 Travesaño 3 (1 pieza) 	D4 Viga transversal 4 (1 pieza) 	D5 Travesaño 5 (1 pieza) 	E1 Conector de viga transversal 1 (3 piezas) 	E2 Conector de viga transversal 2 (2 piezas)
E3 Conector de viga transversal 3 (2 piezas) 	E4 Conector de viga transversal 4 (1 pieza) 	F1 Costilla de techo 1 (1 pieza) 	F2 Costilla de techo 2 (1 pieza) 	G1 Costilla superior del techo 1 (1 pieza) 	G2 Costilla superior del techo 2 (1 pieza)
H1 Canalón 1 (1 pieza) 	H2 Canalón 2 (1 pieza) 	J1 Soporte superior 1 (1 pieza) 	J2 Soporte superior 2 (1 pieza) 	J3 Soporte inferior 1 (1 pieza) 	J4 Soporte inferior 2 (1 pieza)
K1 Soporte de soporte 1 (1 pieza) 	K2 Soporte de soporte 2 (1 pieza) 	K3 Soporte soporte 3 (2 piezas) 	L1 Estante 1 (1 pieza) 	L2 Estante 2 (1 pieza) 	M1 Panel de techo 1 (1 pieza)
M2 Panel de techo 2 (1 pieza) 	M3 Panel de techo 3 (1 pieza) 	M4 Panel de techo 4 (1 pieza) 	M5 Panel de techo 5 (2 piezas) 	N Abrebotellas (1 pieza) 	P Tapa de alimentación eléctrica (1 pieza)

ESPAÑOL



HARDWARE

<p>AA M6*20 pernos (107+5 piezas)</p> 	<p>BB M6*30 pernos (2 piezas)</p> 	<p>CC Pernos M6*35 (22+4 piezas)</p> 	<p>DD Arandela plana M6*14 (14+2 piezas)</p> 	<p>EE Arandela sellante (12+2 piezas)</p> 	<p>FF Tornillos M3x10 (4 piezas)</p> 
<p>GG Tuercas M6 (4 piezas)</p> 	<p>HH Arandela plana M6*16 (121+10 piezas)</p> 	<p>JJ Anclaje para hormigón M8x70 (20 piezas)</p> 	<p>KK Tapa de plástico (12 piezas)</p> 	<p>LL Gancho magnético (15 piezas)</p> 	

HERRAMIENTAS INCLUIDAS

<p>Z1 Llave abierta de doble boca (1 pieza)</p> 	<p>Z2 Adaptador de broca angular (1 pieza)</p> 	<p>Z3 Destornillador hexagonal de 10 mm x 65 mm (1 pieza)</p> 	<p>Z4 Broca hexagonal de 4 mm x 50 mm (1 pieza)</p> 	<p>Z5 Destornillador M3 (1 pieza)</p> 
---	--	---	--	---

Siga todas las advertencias de seguridad provistas con sus herramientas.

Se requiere una escalera de tijera (no incluida) para el montaje.

Verifique los componentes con la lista de piezas y asegúrese de que no falten piezas.

Coloque las piezas sobre cartón o un tapete suave para ayudar a proteger las piezas de los rayones.

INSTRUCCIONES DE MONTAJE

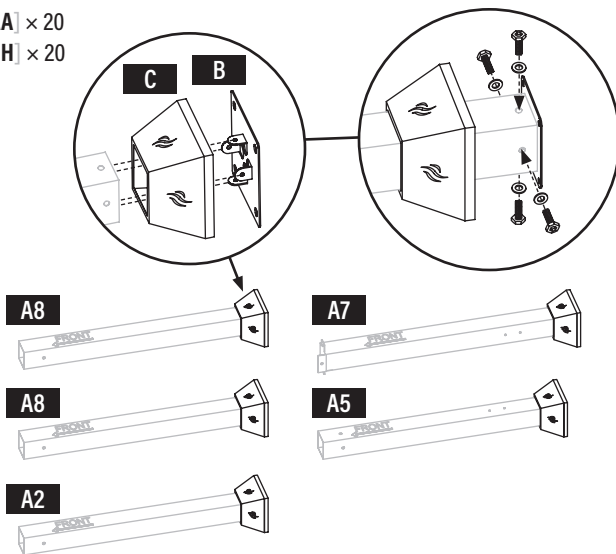
Encuentre un área grande y limpia para ensamblar su electrodoméstico.
Retire todo el material de embalaje antes de ensamblar.

⚠ ATENCIÓN

Bordes afilados. Use guantes durante el montaje.

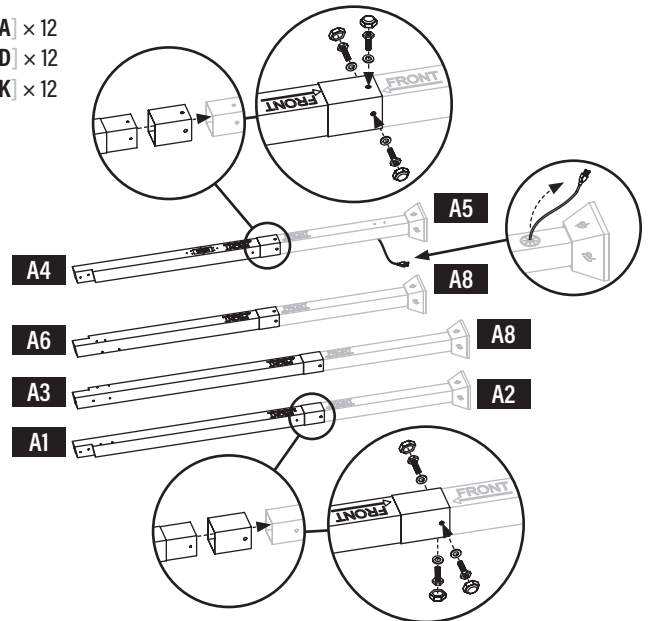
PASO 01 Deslice una (1) cubierta de la base del pie **C** en un (1) poste 8 **A8**.
Utilice cuatro (4) pernos **AA** y cuatro (4) arandelas planas **HH** para fijar una (1) base de pie **B** a la parte inferior del poste 8 **A8**.
Repita con la otra publicación 8 **A8** y las publicaciones **A7**, **A5** y **A2**.

AA × 20
HH × 20



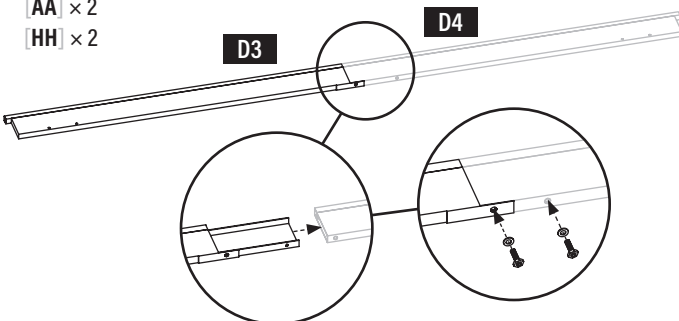
PASO 02 Saque el cable eléctrico a través del enchufe en el poste 5 **A5**.
Utilice tres (3) tapas de plástico **KK**, tres (3) pernos **AA** y tres (3) arandelas planas **DD** para fijar el poste 4 **A4** y el poste 5 **A5**. **Nota:** Las flechas FRONTALES deben quedar una frente a la otra.
Repita con la publicación 6 **A6** a una (1) publicación 8 **A8**.
Utilice tres (3) tapas de plástico **KK**, tres (3) pernos **AA** y tres (3) arandelas planas **DD** para fijar el poste 3 **A3** y un (1) poste 8 **A8**.
Repita con la publicación 1 **A1** y la publicación 2 **A2**.

AA × 12
DD × 12
KK × 12



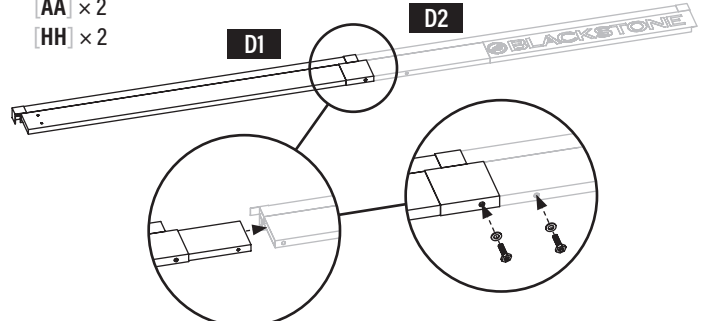
PASO 03 Use dos (2) pernos **AA** y dos (2) arandelas planas **HH** para unir la viga transversal 3 **D3** y la viga transversal 4 **D4**.

AA × 2
HH × 2



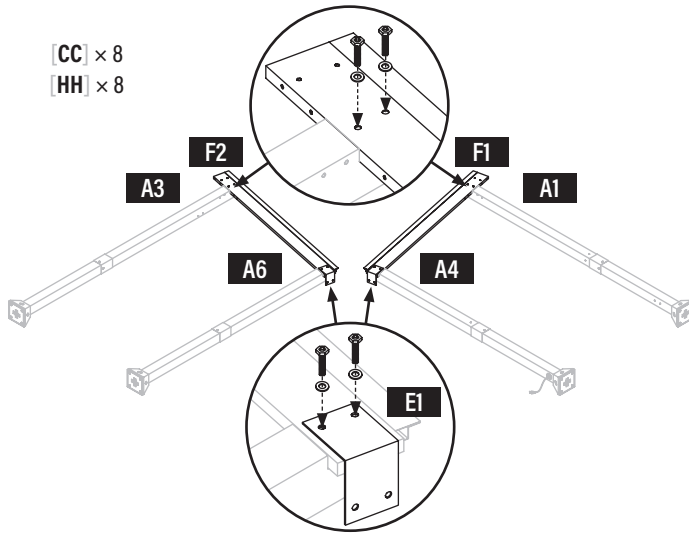
PASO 04 Use dos (2) pernos **AA** y dos (2) arandelas planas **HH** para unir la viga transversal 1 **D1** y la viga transversal 2 **D2**.

AA × 2
HH × 2

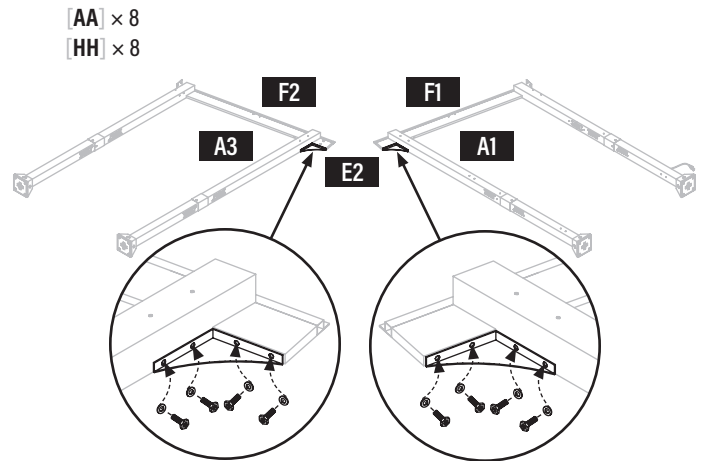




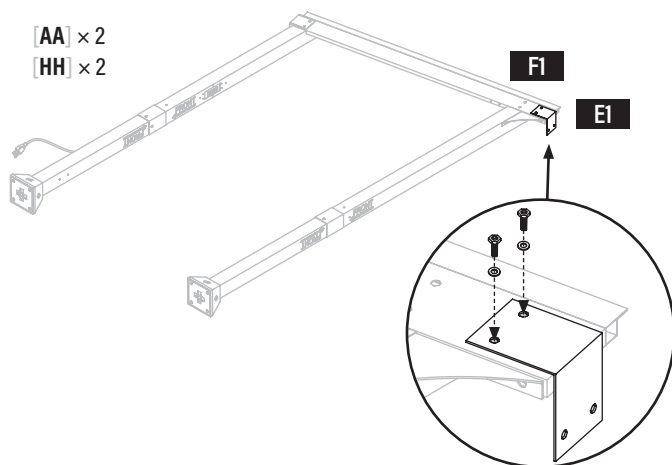
PASO 05 Utilice dos (2) pernos [CC] y dos (2) arandelas planas [HH] para sujetar el conjunto del poste [A3] a la nervadura del techo 2 [F2]. Repita con el ensamblaje del poste [A1] y la nervadura del techo 1 [F1]. Use dos (2) pernos [CC] y dos (2) arandelas planas [HH] para unir un (1) conector de viga transversal 1 [E1] y el ensamblaje del poste [A6] a la costilla del techo 2 [F2]. Repita con un (1) conector de viga transversal 1 [E1], ensamblaje de poste [A4] y costilla de techo 1 [F1].



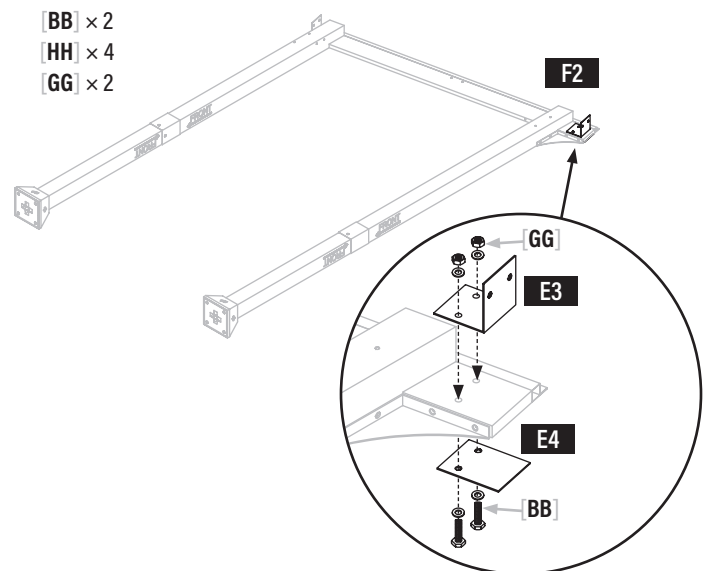
PASO 06 Utilice cuatro (4) pernos [AA] y cuatro (4) arandelas planas [HH] para sujetar un (1) conector de viga transversal 2 [E2] a la costilla del techo 2 [F2] y al montaje del poste [A3]. Use cuatro (4) pernos [AA] y cuatro (4) arandelas planas [HH] para unir un (1) conector de viga transversal 2 [E2] a la costilla del techo 1 [F1] y al ensamblaje del poste [A1].



PASO 07 Use dos (2) pernos [AA] y dos (2) arandelas planas [HH] para unir un (1) conector de viga transversal 1 [E1] a la costilla del techo 1 [F1].



PASO 08 Use dos (2) pernos [BB], cuatro (4) arandelas planas [HH] y dos (2) tuercas [GG] para unir el conector de viga transversal 4 [E4] y un (1) conector de viga transversal 3 [E3] a la costilla del techo 2 [F2].



PASO 09 **Nota:** No apriete los pernos por completo hasta que todos los pernos y arandelas estén correctamente instalados.

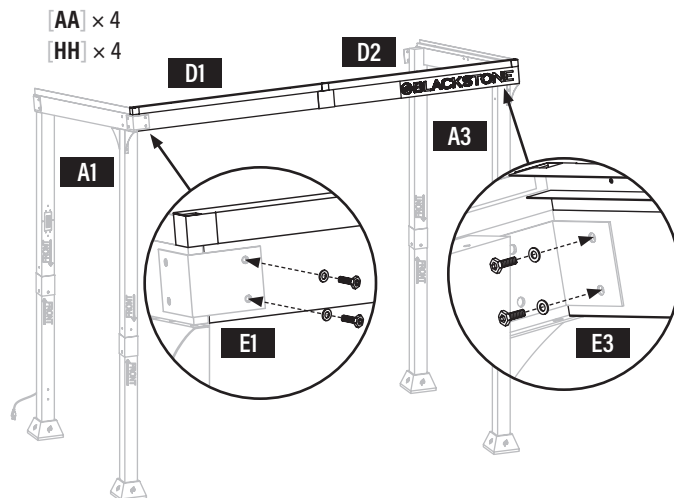
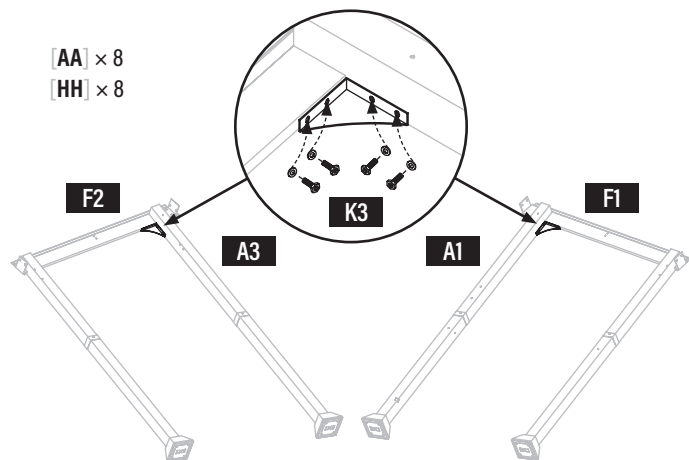
Use cuatro (4) pernos [AA] y cuatro (4) arandelas planas [HH] para sujetar un (1) soporte de soporte 3 [K3] al ensamblaje del poste [A3] y al ensamblaje de las costillas del techo [F2].

Use cuatro (4) pernos [AA] y cuatro (4) arandelas planas [HH] para sujetar un (1) soporte de soporte 3 [K3] al ensamblaje del poste [A1] y al ensamblaje de las costillas del techo [F1].

PASO 10 Use dos (2) pernos [AA] y dos (2) arandelas planas [HH] para unir la viga transversal [D1] a un (1) conector de viga transversal 1 [E1].

Nota: las etiquetas FRONTALES deben mirar hacia adelante.

Use dos (2) pernos [AA] y dos (2) arandelas planas [HH] para unir la viga transversal [D2] a un (1) conector de viga transversal 3 [E3].



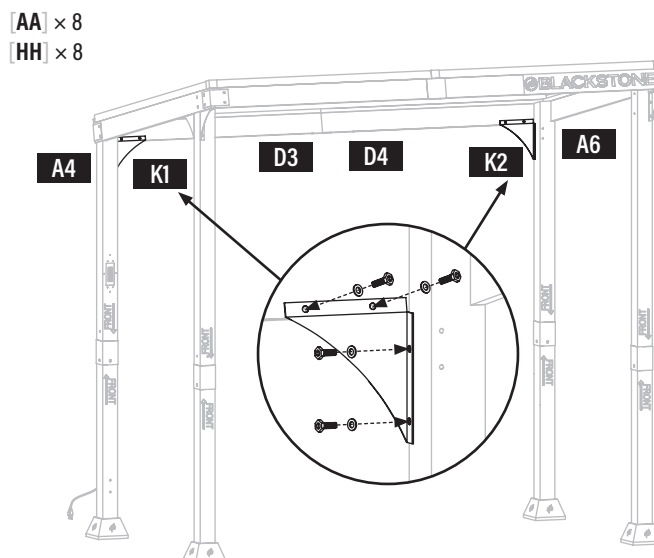
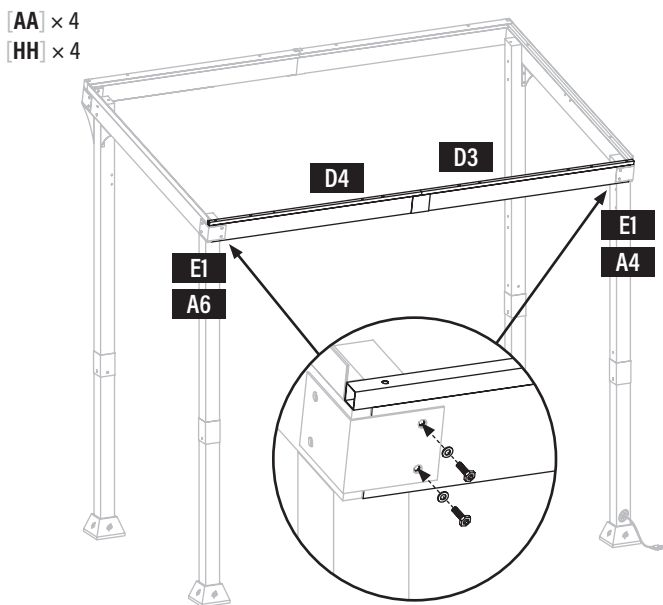
PASO 11 Use dos (2) pernos [AA] y dos (2) arandelas planas [HH] para unir la viga transversal [D4] a un (1) conector de viga transversal 1 [E1].

Use dos (2) pernos [AA] y dos (2) arandelas planas [HH] para unir la viga transversal [D3] a un (1) conector de viga transversal 1 [E1].

PASO 12 **Nota:** No apriete los pernos por completo hasta que todos los pernos y arandelas estén correctamente instalados.

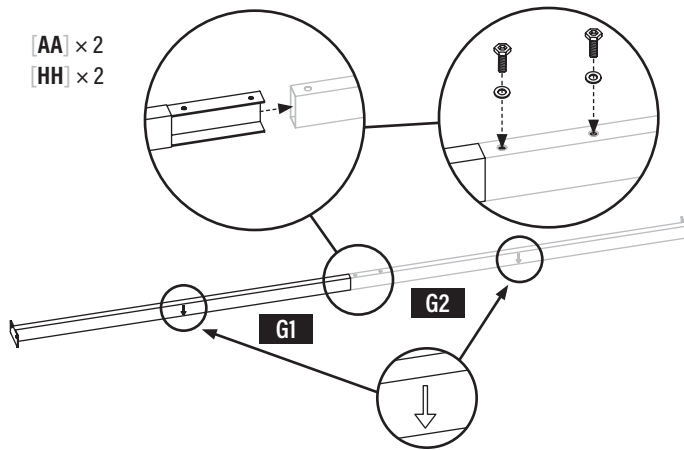
Use cuatro (4) pernos [AA] y cuatro (4) arandelas planas [HH] para sujetar el soporte 1 [K1] al ensamblaje del poste [A4] y la viga transversal [D3].

Utilice cuatro (4) pernos [AA] y cuatro (4) arandelas planas [HH] para sujetar el soporte 2 [K2] al montaje del poste [A6] y la viga transversal [D4].

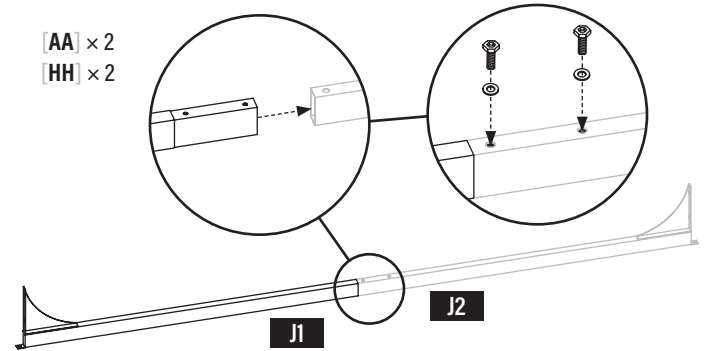




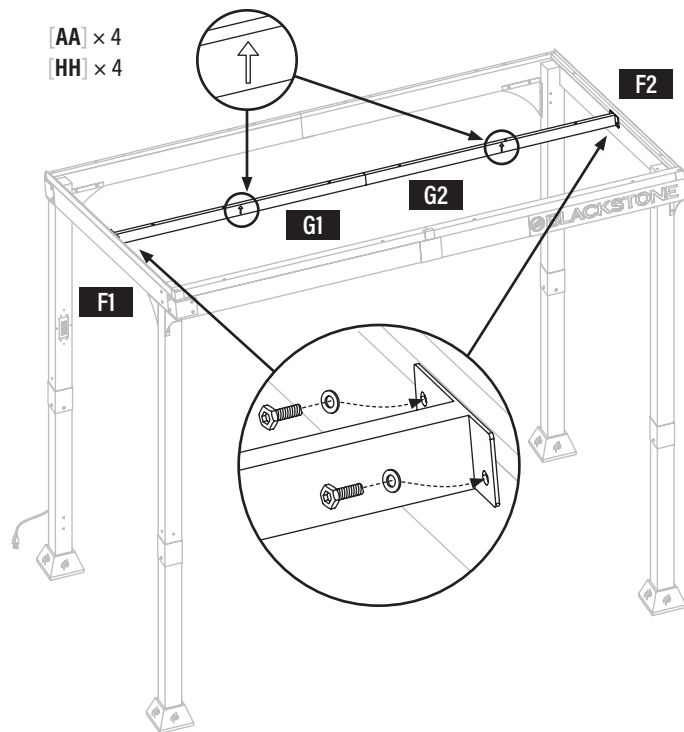
PASO 13 Use dos (2) pernos **AA** y dos (2) arandelas planas **HH** para unir la nervadura superior del techo 1 **G1** a la nervadura superior del techo 2 **G2**.
Nota: las FLECHAS deben mirar en la misma dirección.



PASO 14 Use dos (2) pernos **AA** y dos (2) arandelas planas **HH** para unir el soporte superior 1 **J1** al soporte superior 2 **J2**.



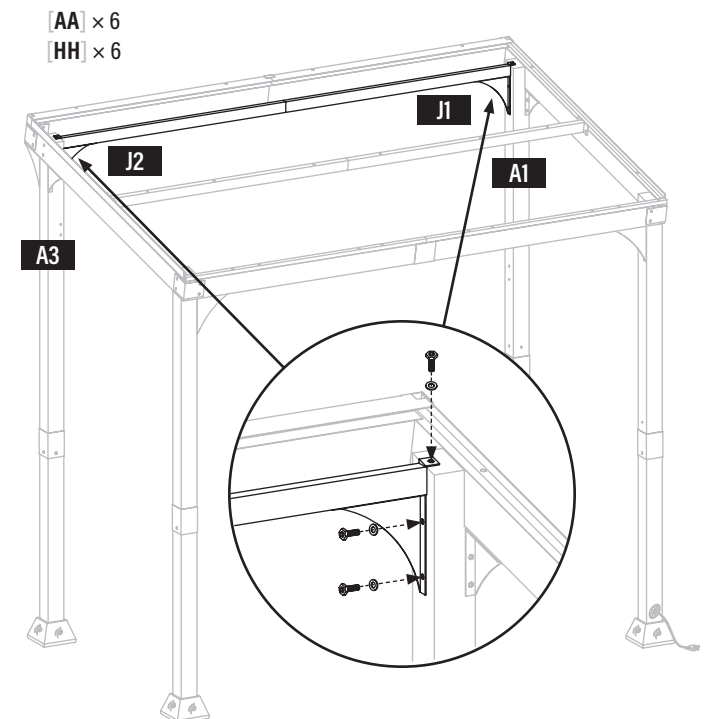
PASO 15 Use dos (2) pernos **AA** y dos (2) arandelas planas **HH** para unir la nervadura superior del techo 1 **G1** a la nervadura del techo **F1**.
 Use dos (2) pernos **AA** y dos (2) arandelas planas **HH** para unir la nervadura superior del techo 2 **G2** a la nervadura del techo **F2**.



PASO 16 **Nota:** No apriete los pernos por completo hasta que todos los pernos y arandelas estén correctamente instalados.

Utilice tres (3) pernos **AA** y tres (3) arandelas planas **HH** para sujetar el soporte superior 1 **J1** al montaje del poste **A1**.

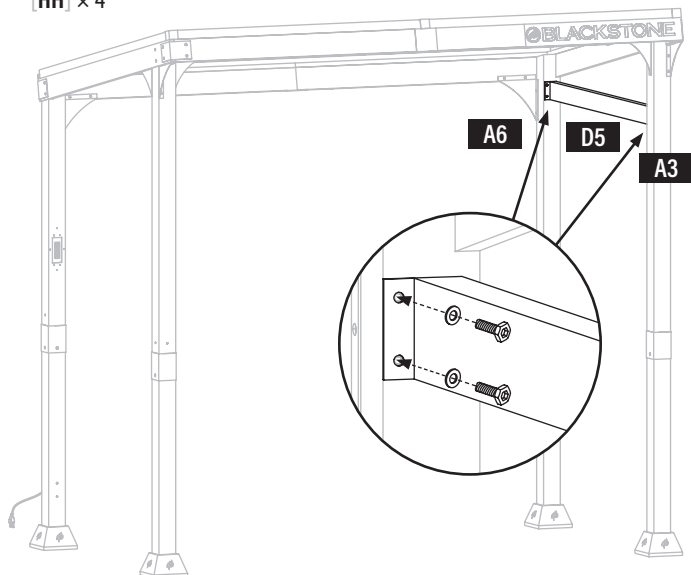
Utilice tres (3) pernos **AA** y tres (3) arandelas planas **HH** para sujetar el soporte superior 2 **J2** al montaje del poste **A3**.



ESPAÑOL

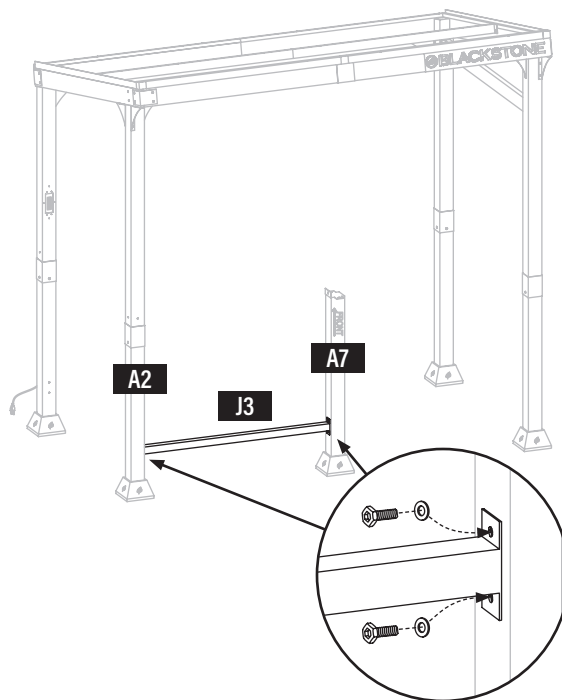
PASO 17 Use cuatro (4) pernos [AA] y cuatro (4) arandelas planas [HH] para unir la viga transversal 5 [D5] al ensamblaje del poste [A6] y al ensamblaje del poste [A3].

[AA] × 4
[HH] × 4



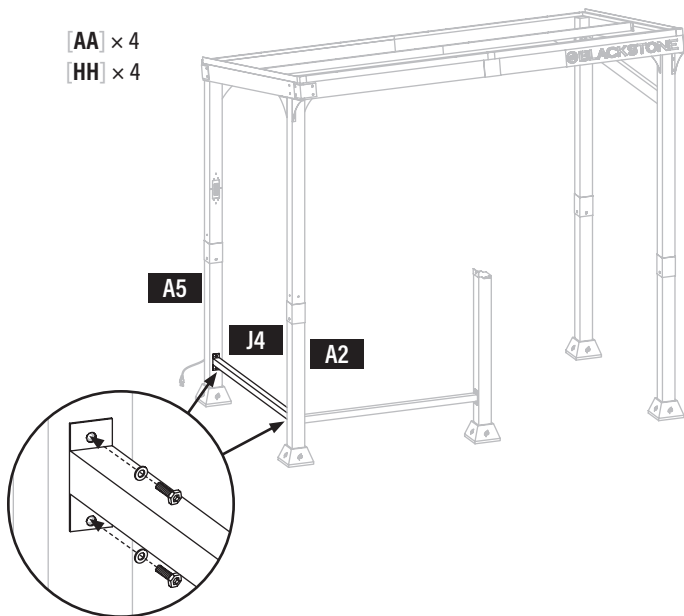
PASO 18 Use cuatro (4) pernos [AA] y cuatro (4) arandelas planas [GG] para sujetar el soporte inferior 1 [J3] al ensamblaje del poste [A2] y al ensamblaje del poste [A7].

[AA] × 4
[HH] × 4



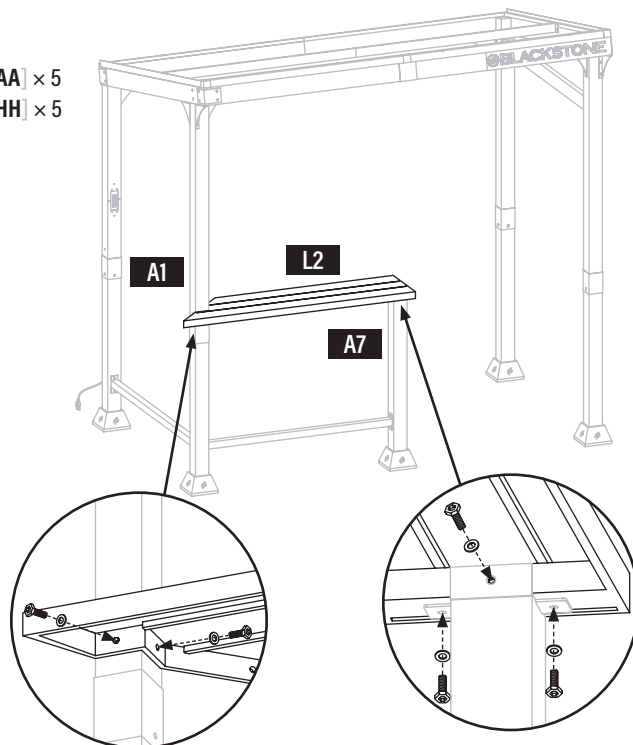
PASO 19 Utilice cuatro (4) pernos [AA] y cuatro (4) arandelas planas [HH] para fijar el soporte inferior 2 [J4] a los postes [A5] y [A2].

[AA] × 4
[HH] × 4



PASO 20 Utilice dos (2) pernos [AA] y dos (2) arandelas planas [HH] para fijar el estante 2 [L2] al poste [A1]. Use tres (3) pernos [AA] y tres (3) arandelas planas [HH] para fijar el estante 2 [L2] al poste [A7].

[AA] × 5
[HH] × 5



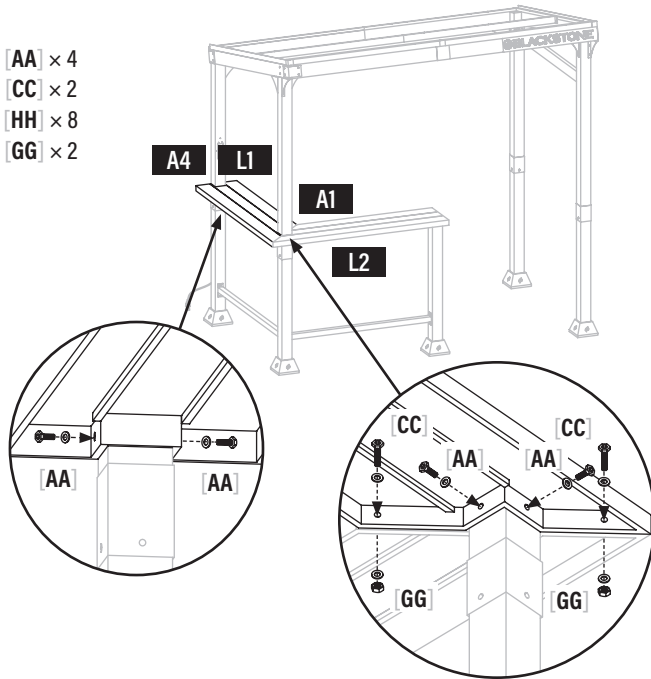


PASO 21 Utilice dos (2) pernos [AA] y dos (2) arandelas planas [HH] para fijar el estante 1 [L1] al poste [A4].

Utilice dos (2) pernos [AA] y dos (2) arandelas planas [HH] para fijar el estante 1 [L1] al poste [A1].

Use dos (2) pernos [CC], cuatro (4) arandelas planas [HH] y dos (2) tuercas [GG] para unir el estante 1 [L1] al estante 2 [L2].

- [AA] × 4
- [CC] × 2
- [HH] × 8
- [GG] × 2

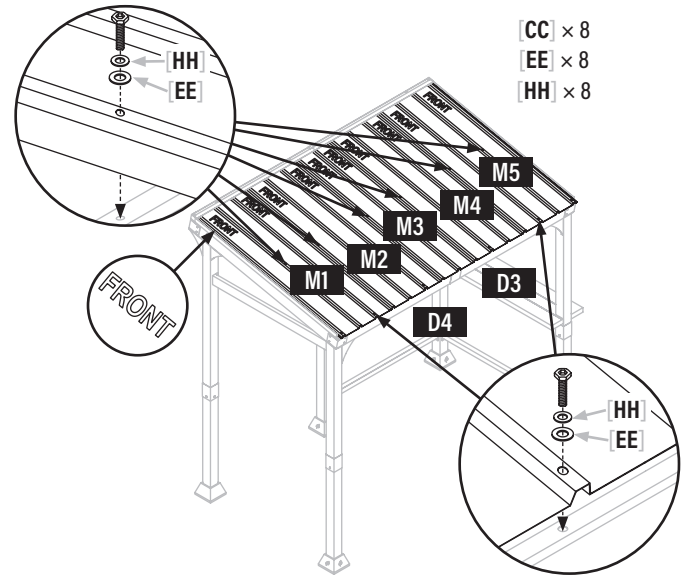


PASO 22 **Nota:** No apriete los pernos por completo hasta que todos los pernos y arandelas estén correctamente instalados.

Use seis (6) pernos [CC], seis (6) arandelas planas [HH] y seis (6) arandelas selladoras [EE] para unir los paneles del techo [M1, M2, M3, M4, y M5] a las nervaduras superiores del techo [G1 y G2].

Utilice dos (2) pernos [CC], dos (2) arandelas planas [HH] y dos (2) arandelas selladoras [EE] para fijar los paneles del techo [M1, M2, M3, M4, y M5] a las vigas transversales [D3 y D4].

Nota: Si los orificios NO SE alinean durante el montaje, tire de los travesaños hacia afuera para alinear los orificios.

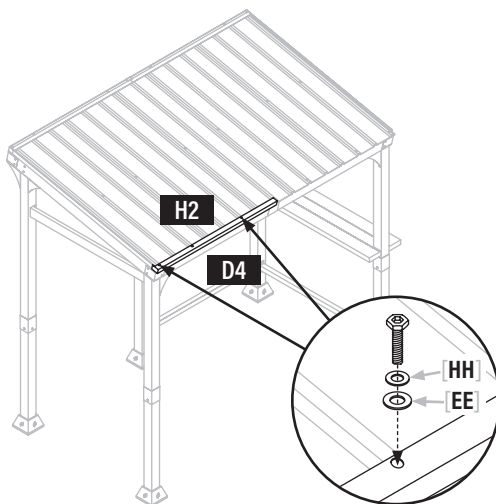


- [CC] × 8
- [EE] × 8
- [HH] × 8

PASO 23 **Nota:** No apriete los pernos por completo hasta que todos los pernos y arandelas estén correctamente instalados.

Utilice dos (2) pernos [CC], dos (2) arandelas planas [HH] y dos (2) arandelas selladoras [EE] para fijar la canaleta 2 [H2] a los paneles del techo y la viga transversal [D4].

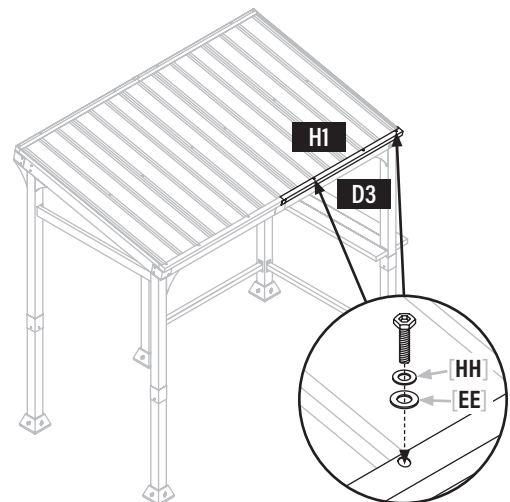
- [CC] × 2
- [EE] × 2
- [HH] × 2



PASO 24 **Nota:** No apriete los pernos por completo hasta que todos los pernos y arandelas estén correctamente instalados.

Utilice dos (2) pernos [CC], dos (2) arandelas planas [HH] y dos (2) arandelas selladoras [EE] para fijar la canaleta 1 [H1] a los paneles del techo y la viga transversal [D3].

- [CC] × 2
- [EE] × 2
- [HH] × 2

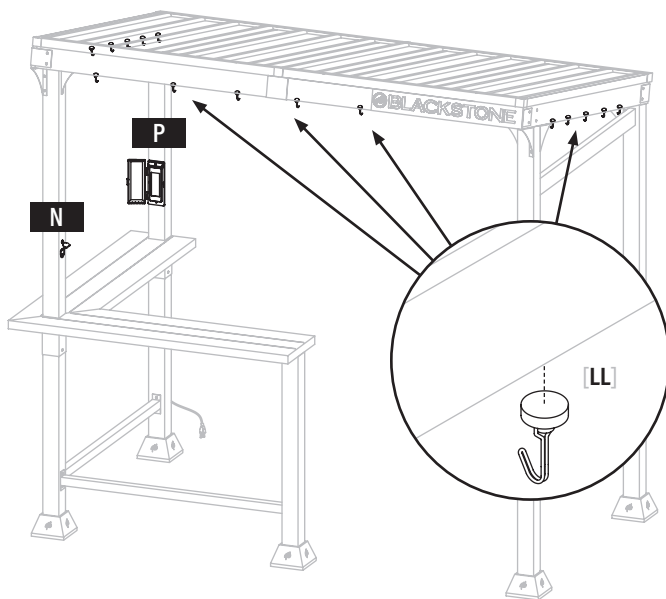
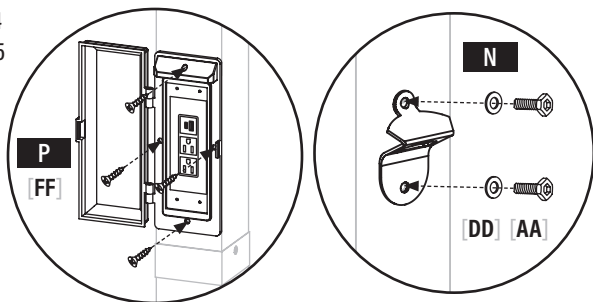


PASO 25 Use cuatro (4) pernos [FF] para sujetar la cubierta de energía eléctrica [P] al poste [A4].

Utilice dos (2) pernos [AA] y dos arandelas planas [DD] para sujetar el abrebotellas [N] al poste [A1].

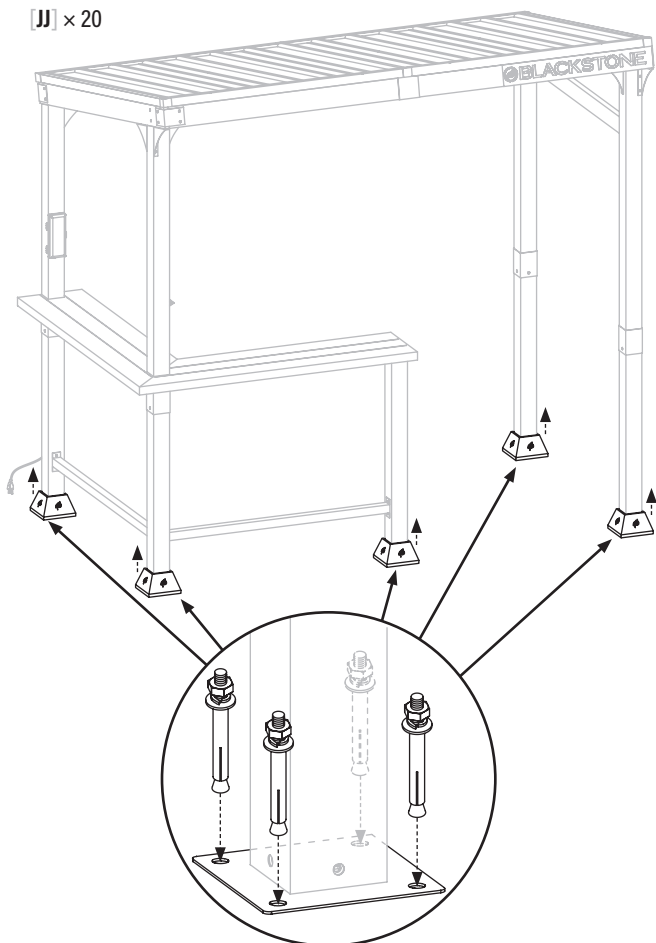
Pegue los ganchos magnéticos [LL] a las vigas transversales delanteras y las costillas del techo. (Se recomiendan 5 por lado).

- [AA] × 2
- [DD] × 2
- [FF] × 4
- [LL] × 15



PASO 26 Use cuatro (4) pernos de expansión [JJ] para anclar la base de cada poste [B].

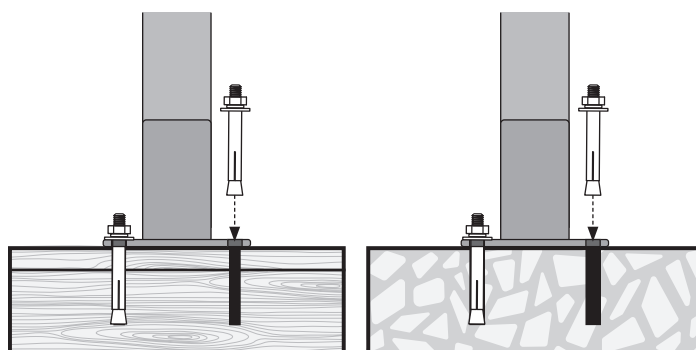
- [JJ] × 20



GUÍA DE ANCLAJE DE ESTRUCTURAS EXTERIORES

⚠ ADVERTENCIA

Si su **BLACKSTONE BAR & GRILL** no está debidamente anclado, podría dañarse. Se recomienda encarecidamente para máxima seguridad que monte y asegure los pies de madera o concreto. Esto es mucho mejor y más seguro que usar estacas en el suelo.



MADERA

Los anclajes se deben perforar en las vigas o en los bloques reforzados (no solo en las tablas de la terraza).

CONCRETO

Use una broca de 1/2" (no incluida) para pretaladrar agujeros para anclajes de concreto.

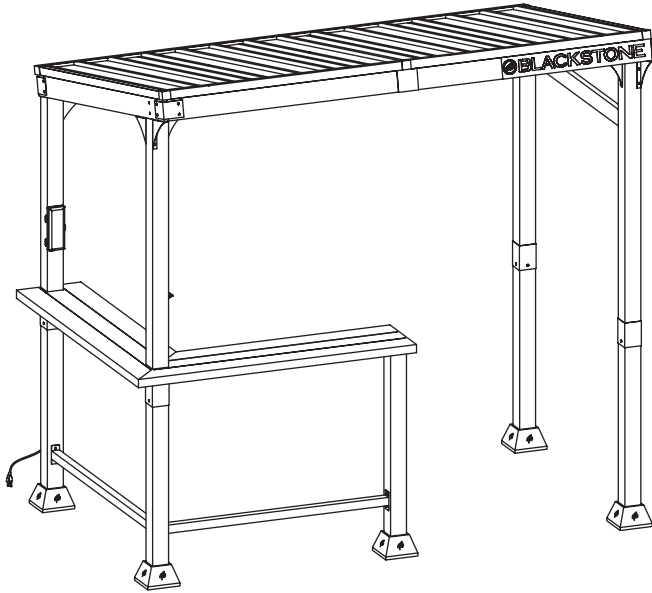
Si está excavando para los cimientos, verifique dos veces la posibilidad de que haya servicios subterráneos, como líneas de gas, teléfono, cable o rociadores. Consulte los códigos de construcción y de la ciudad locales, las ordenanzas, los convenios vecinales o las restricciones de altura con respecto a este tipo de estructura para obtener orientación sobre los requisitos de instalación aceptables.

Considere consultar a un contratista con licencia para obtener asistencia en el anclaje de este producto.



USANDO SU BLACKSTONE

¡Disfruta usando tu **BLACKSTONE BAR & GRILL!**



USO DE SU BLACKSTONE BAR & GRILL

El **BLACKSTONE BAR & GRILL** está diseñado para uso privado, decorativo y ornamental únicamente.

El producto **NO ESTÁ DISEÑADO** para lo siguiente:

- Una barrera de seguridad para evitar el acceso no supervisado a piscinas, jacuzzis, spas o estanques.
- Como soporte de carga para un edificio, estructura, objetos pesados o columpios.
- Se utiliza en estructuras que atrapan el viento, la lluvia o la nieve que crearían una carga adicional en el producto.

⚠ ATENCIÓN

NO suba ni camine sobre el techo por ningún motivo.

CAPACIDAD DE CARGA DE NIEVE

12 libras/pie² = 480 libras. de la carga total de nieve

La nieve acumulada debe retirarse del techo.

CLASIFICACIÓN DE VIENTO

Escala 8 de Beaufort: vientos huracanados (39-46 MPH)

El **BLACKSTONE BAR & GRILL** no debe usarse en condiciones climáticas adversas y vientos fuertes.

BLACKSTONE BACKYARD BAR & GRILL GARANTÍA LIMITADA

Blackstone Products garantiza este Backyard Bar and Grill contra defectos en materiales y mano de obra por un período de un (1) año a partir de la fecha original de compra. En la medida en que ocurran dichos defectos, Blackstone Products enviará las piezas de repuesto correspondientes sin cargo.

Esta garantía no cubre:

- Costos de inspección o mano de obra para el reemplazo de cualquier pieza defectuosa;
- Daños incidentales o consecuentes;
- Defectos estéticos que no afecten el desempeño o la integridad;
- Uso y desgaste normal;
- Daños por vandalismo; actos de la naturaleza, incluidos, entre otros, viento, tormentas, granizo, inundaciones;
- Ensamblaje, instalación o uso inadecuado;
- Decoloración o decoloración del acabado como resultado de la exposición a productos químicos, derrames, piscina o agua salada
- Corrosión/óxido.

Su Backyard Bar and Grill ha sido diseñado para brindar seguridad y calidad. Cualquier modificación realizada al producto original podría comprometer su integridad estructural o función, y podría provocar fallas en el producto o lesiones personales. Como tal, la modificación de este producto anula todas y cada una de las garantías.

Este producto está garantizado para USO RESIDENCIAL ÚNICAMENTE, y no es para fines comerciales, contractuales u otros fines no residenciales. Blackstone Products renuncia a todas las demás representaciones y garantías de cualquier tipo, expresas o implícitas.

La garantía se aplica al comprador original y no es transferible. **NO SE aplica** a las compras de modelos de exhibición, o cuando el producto se vende en liquidación o "tal cual". Para activar su garantía, registre su producto en www.BlackstoneProducts.com/register.

North Atlantic Imports LLC no ofrece garantía alguna con respecto a los accesorios o piezas que **NO SE** suministren con él. Esta garantía se aplicará únicamente dentro de los límites de los Estados Unidos de América y Canadá. Esta garantía otorga derechos específicos al comprador original, y el comprador original también puede tener otros derechos, que varían de un estado a otro.





Este producto puede estar cubierto por una o más patentes estadounidenses y/o internacionales emitidas y puede incluir solicitudes de patentes pendientes.
Para obtener más información, visite: BlackstoneProducts.com/patents