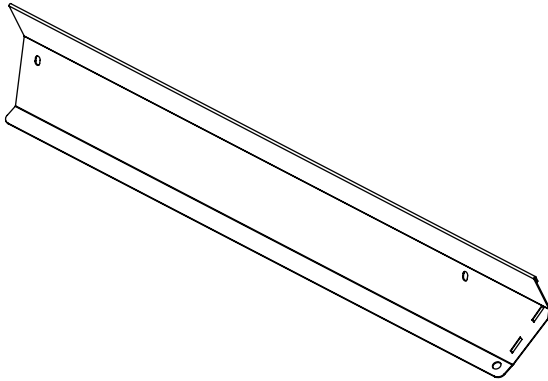


36" SURROUND TABLE CONVERSION KIT

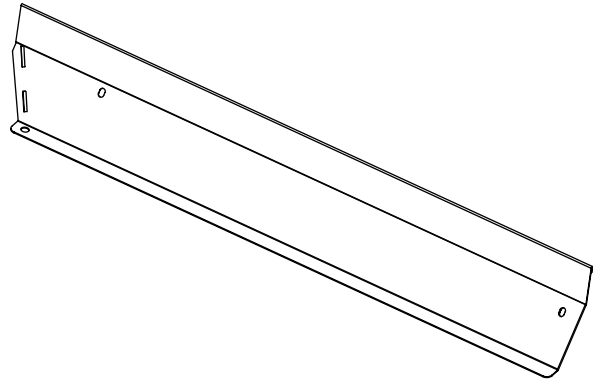
Conversion kit for rear grease griddle compatibility

ILLUSTRATED PARTS LIST

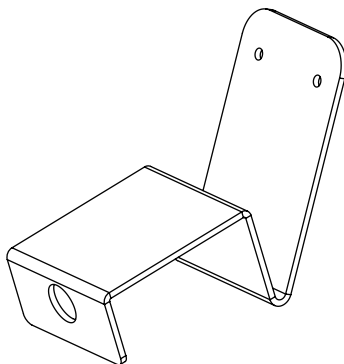
1. Left Rear Baffle (1 pc)



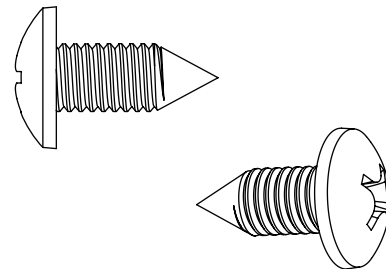
2. Right Rear Baffle (1 pc)



3. Rear Baffle Bracket (1 pc)



4. M4 Screws (2 pcs)



INSTRUCTIONS



WARNING

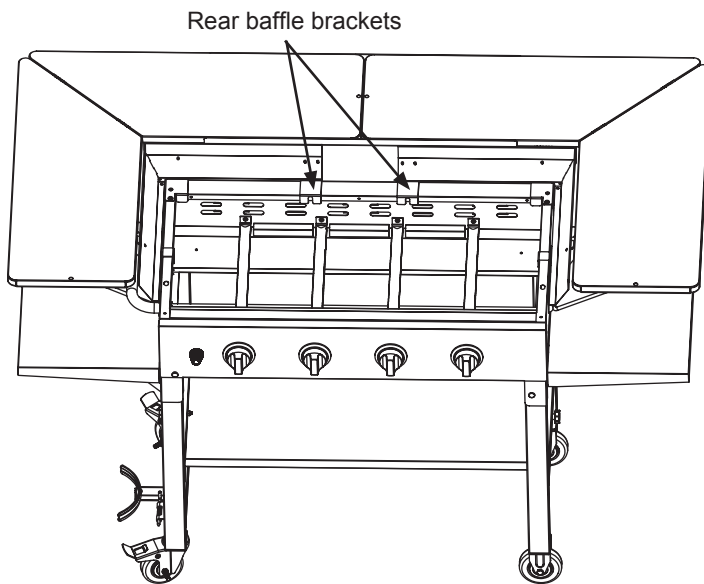
The manufacturer has made every effort to eliminate any sharp edges. However, you should handle all components with care to avoid accidental injury.

NOTICE: Make sure all the plastic protection and packaging is removed before assembling.

Please read all instructions thoroughly before proceeding.

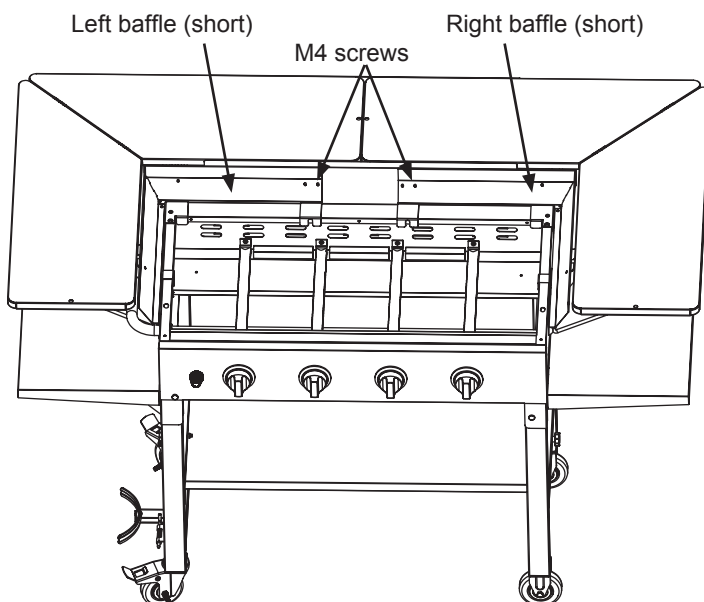
STEP 1

First remove the original left and right (long) baffles. Then move and attach the existing center bracket to the left and attach the new bracket to the right of the rear grease opening.



STEP 2

Place the new left and right (short) baffles in place and attach to the baffle brackets using the M4 screws.

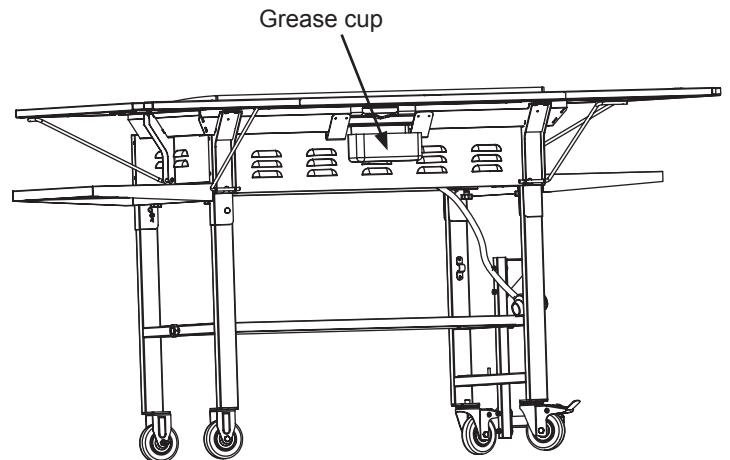


STEP 3

Next, finish the installation by following the directions you were provided with when you purchased the surround table.

STEP 4

Lastly, place the griddle top on the griddle body and hang the grease cup on the back of the griddle between the baffles.



Enjoy your new griddle surround table and **be advised that the surround table may get hot while the griddle is in use.**