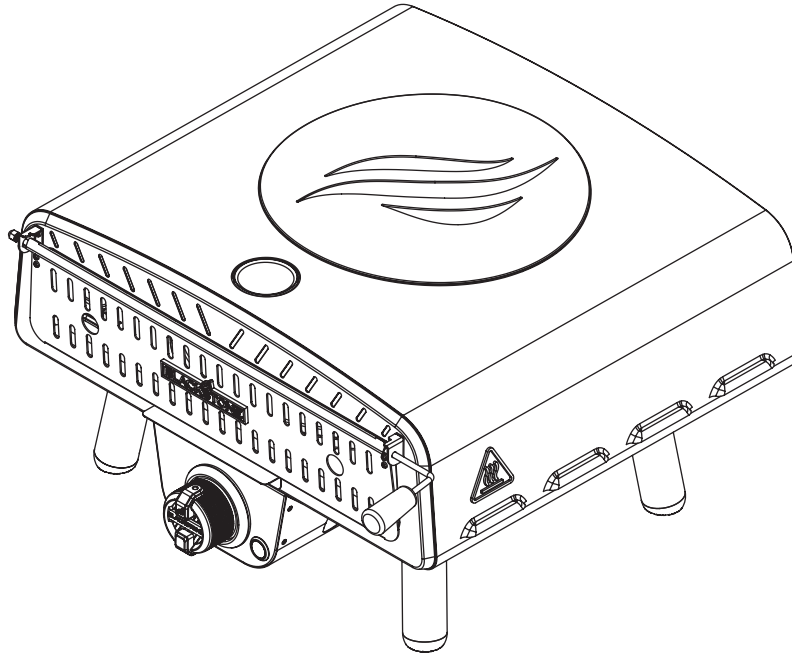


**MODEL: 2238** <sup>v02</sup>



OWNER'S MANUAL

# LEGGERO PIZZA OVEN

## TABLE OF CONTENTS

IMPORTANT SAFETY INFORMATION .....	02
WARRANTY .....	03
ASSEMBLY GUIDE .....	04
USING YOUR BLACKSTONE .....	08
TROUBLESHOOTING .....	13



For the latest version of this manual, scan this code or visit [BlackstoneProducts.com/support](https://BlackstoneProducts.com/support)

### IMPORTANT:

This instruction manual contains important information necessary for the proper assembly and safe use of the appliance.

Read and follow all warnings and instructions before assembling and using the appliance.

Follow all warnings and instructions when using the appliance.

Keep this manual for future reference.

Installer/Assembler: Leave these instructions with the consumer.

### SAFETY ALERT KEY

**⚠ DANGER**

Indicates a hazardous situation that, if not avoided, will result in death or serious injury.

**⚠ CAUTION**

Indicates a hazardous situation that, if not avoided, could result in minor or moderate injury.

**⚠ WARNING**

Indicates a hazardous situation that, if not avoided, could result in death or serious injury.

**NOTICE**

Indicates information considered important, but not hazard-related (e.g. messages related to property damage).

# IMPORTANT SAFETY INFORMATION

## ⚠ DANGER

If you smell gas:

- Shut off gas to the appliance.
- Extinguish any open flame.
- Open hood (if applicable).
- If odor continues, keep away from the appliance and immediately call your gas supplier or your fire department.

Failure to follow these instructions could result in fire or property damage, personal injury or death.

## ⚠ DANGER

- NEVER operate this appliance unattended.
- If a fire should occur, keep away from the appliance and immediately call your fire department. DO NOT attempt to extinguish an oil or a grease fire with water.

Failure to follow these instructions could result in fire or property damage, personal injury or death.

## ELECTRIC APPLIANCE SAFETY

### TO PROTECT AGAINST ELECTRIC SHOCK:

- DO NOT immerse cord or plugs in water or other liquid.
- Unplug from the outlet when not in use and before cleaning. Allow to cool before putting on or taking off parts.
- DO NOT use an outdoor cooking gas appliance for purposes other than intended.
- DO NOT operate this appliance with a damaged cord, plug, or after the appliance malfunctions or has been damaged in any manner. Contact the manufacturer for repair.
- DO NOT let the cord hang over the edge of a table or touch hot surfaces.
- Keep any electrical supply cord and the fuel supply hose away from heated surfaces.
- When connecting, first connect plug to the appliance then into the outlet.

### USE ONLY A GROUND FAULT INTERRUPTER (GFI) PROTECTED CIRCUIT WITH THIS APPLIANCE.

- This appliance, when installed, must be electrically grounded in accordance with local codes or, in the absence of local codes, with NFPA 70 Canadian Electrical Code, Part I.
- DO NOT remove the grounding plug or use with an adapter of 2 prongs.
- Use only extension cords with a 3 prong grounding plug, rated for the power of the equipment, and approved for outdoor use with a W-A marking.

## ⚠ WARNING

- DO NOT store or use gasoline or other flammable liquids or vapors in the vicinity of this or any other appliance.
- An LPG cylinder not connected for use shall not be stored in the vicinity of this or any other appliance.

## GAS APPLIANCE SAFETY

- The use of alcohol, prescription, or non-prescription drugs may impair the consumer's ability to properly assemble or safely operate the appliance.
- Keep children and pets away from the appliance at all times.
- Have a type BC or ABC fire extinguisher readily available.

### DO NOT USE FOR PURPOSES OTHER THAN INTENDED.

- DO NOT use for commercial cooking.
- DO NOT use this appliance as a heater.

## ⚠ WARNING

Improper installation, use, adjustment, alteration, service, modification, or maintenance can cause injury or property damage. Refer to this manual.

### INSTALLATION MUST CONFORM WITH LOCAL CODES.

In the absence of local codes, installation must conform with either ANSI Z223.1/NFPA 54, CSA B149.1, or CSA B149.2.

### FOR OUTDOOR USE ONLY.

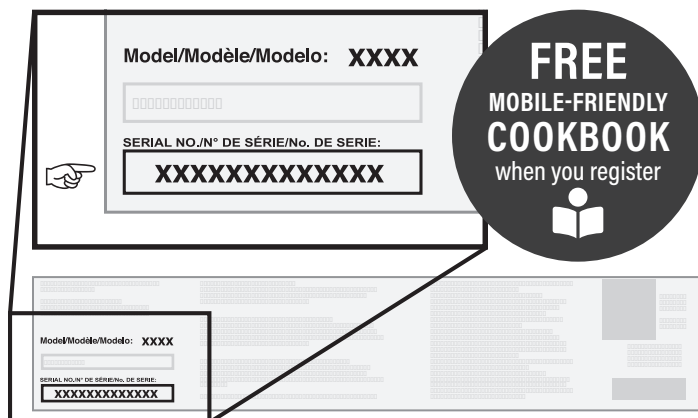


# WARRANTY

The North Atlantic Imports LLC 1-Year Warranty covers replacement parts up to one year after the date of purchase.

## TO ENABLE THIS WARRANTY, YOU WILL NEED TO PROVIDE:

👉 Your appliance's Serial Number



The Serial Number can be found on your appliance's Manufacturer Label.

(The Manufacturer Label is a large silver sticker found on the body of your appliance.)



Register your appliance at  
[BlackstoneProducts.com/register](https://BlackstoneProducts.com/register)

## WARRANTY OVERVIEW

North Atlantic Imports, the manufacturer, will warranty for one year from purchase all parts, workmanship, and finishes. It will be the manufacturer's option as to whether to repair or replace any of the above items. All warranties are limited to the original purchaser only. This warranty does not cover any liability on the part of North Atlantic Imports, its agents or employees, for any indirect or consequential damages for breach of warranty. The purchaser must follow the manufacturer's usage instructions.

Under no circumstances is the manufacturer responsible for damages from the failure to operate the cooking station properly. It is the responsibility of the purchaser to establish the warranty period by verifying the original purchase date with original sales receipt.



## DETAILED EXPLANATION OF THE WARRANTY

North Atlantic Imports LLC warrants to the owner that the product covered by this agreement is free from defects in material and workmanship under normal use and service for which it was intended if, but only if, it has been operated in accordance with North Atlantic Imports LLC instructions exclusively for domestic use, and not for private or public club, institutional or commercial purposes.

North Atlantic Imports LLC's obligation under this warranty is limited to replacing or repairing, free of charge, any part or parts that may prove, to the satisfaction of North Atlantic Imports LLC, to be defective under normal home use and service within the following stated periods of time from the date of purchase; for one year from purchase, all parts, finish, and workmanship. Should any failure to conform to this warranty become apparent during applicable warranty periods stated above, the original purchaser must notify North Atlantic Imports LLC of breach of warranty within the applicable warranty period.

North Atlantic Imports LLC shall upon notice and compliance by the original purchaser with such instructions, correct such nonconformity by repair or replacement of the defective part or parts.

Correction in the manner provided above shall constitute a fulfillment of all obligations of North Atlantic Imports LLC with respect to the quality of the product.

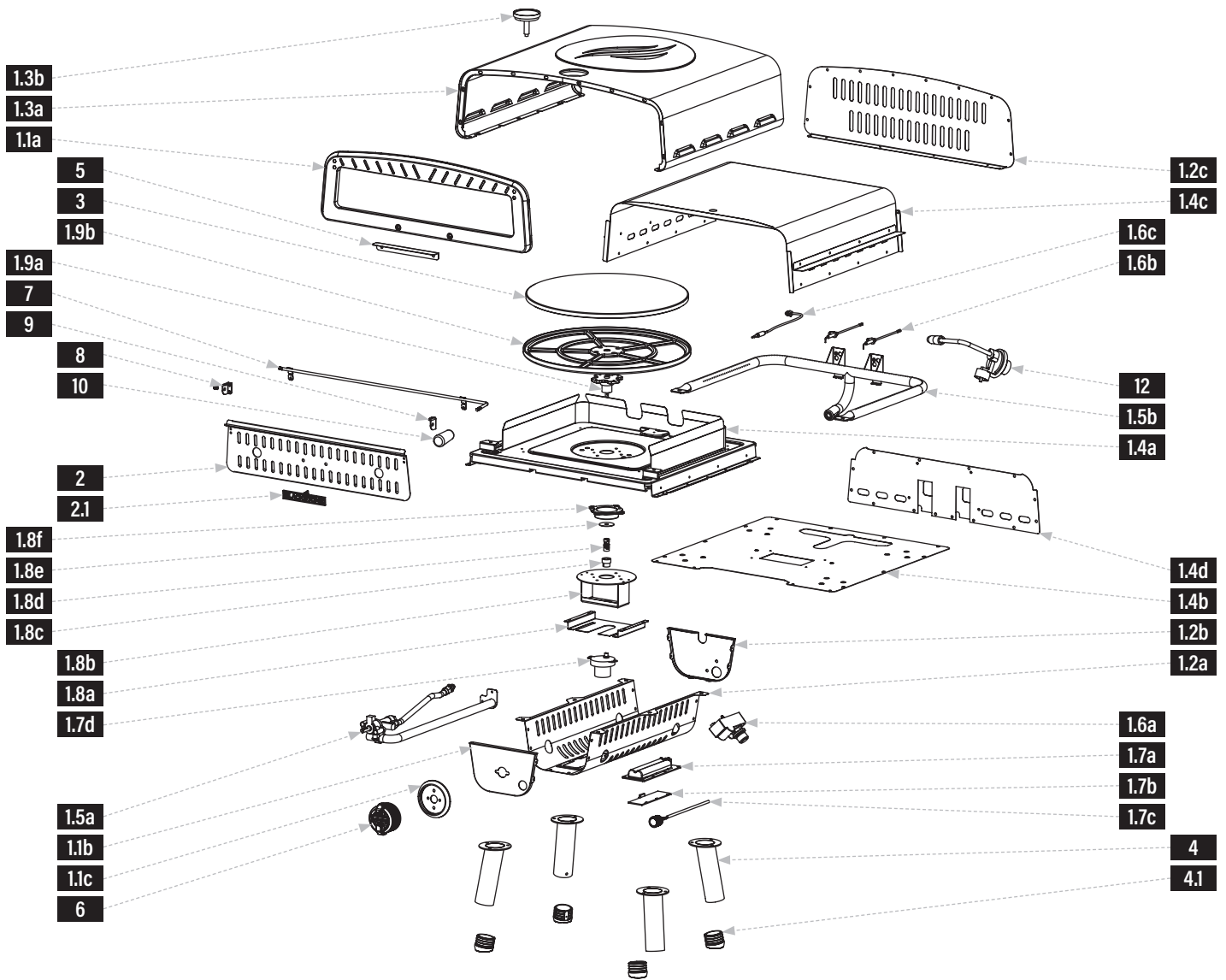
North Atlantic Imports LLC does not warrant this equipment to meet the requirement of any safety code of any state, municipality or other jurisdiction, and the original purchaser assumes all risk and liability whatsoever resulting from the use thereof, whether used in accordance with North Atlantic Imports LLC instructions or otherwise.

This warranty does not cover and is intended to exclude any liability on the part of North Atlantic its agents, servants or employees whether under this warranty or implied by law for any indirect or consequential damages for breach on any warranty. The purchaser must establish all applicable warranty periods pursuant to this warranty by verifying the original purchase date by producing the dated sales receipt. This warranty shall not apply to this product or any other part thereof which has been subject to accident, negligence, alteration, abuse, or misuse or which has been repaired or altered without North Atlantic written consent, outside of North Atlantic Imports LLC factory. The full manufacturer warranty is not valid for griddles purchased from unlicensed, third-party resellers, purchased at a discount due to missing or damaged parts, or purchased as a floor model; at the discretion of North Atlantic Imports.

North Atlantic Imports LLC makes no warranty whatsoever in respect to accessories or parts not supplied with it. This warranty shall apply only within the boundaries of the United States of America and Canada. This warranty gives the original purchaser specific rights, and the original purchaser may also have other rights, which vary from state to state.

# ASSEMBLY GUIDE


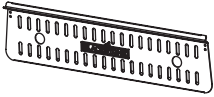

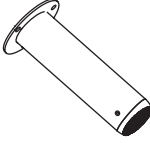


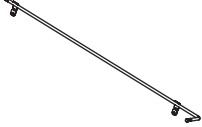
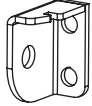
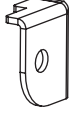
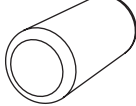
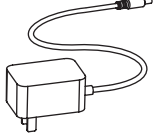
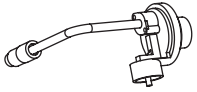
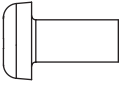
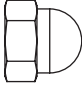
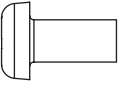

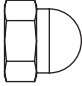
## EXPLODED VIEW



## PARTS LIST

PARTS	QTY	PARTS	QTY	PARTS	QTY	PARTS	QTY
1.1a	1	1.4b	1	1.6c	1	1.8c	1
1.1b	1	1.4c	1			1.8d	1
1.1c	1	1.4d	1	1.7a	1	1.8e	1
1.2a	1	1.5a	1	1.7b	1	1.8f	1
1.2b	1	1.5b	1	1.7c	1	1.9a	1
1.2c	1	1.6a	1	1.7d	1	1.9b	1
1.3a	1	1.6b	2	1.8a	1	2.1	1
1.3b	1			1.8b	1	4.1	4
1.4a	1						



<p><b>1</b> Oven body (1 piece)</p> 	<p><b>2</b> Oven door (1 piece)</p> 	<p><b>3</b> Pizza stone (1 piece)</p> 	<p><b>4</b> Legs (4 pieces)</p> 	<p><b>5</b> Baffle panel (1 piece)</p> 	<p><b>6</b> Control knob (1 piece)</p> 
<p><b>7</b> Door shaft (1 piece)</p> 	<p><b>8</b> Door shaft seat (L) (1 piece)</p> 	<p><b>9</b> Door shaft seat (R) (1 piece)</p> 	<p><b>10</b> Door handle (1 piece)</p> 	<p><b>11</b> Power cord (1 piece)</p> 	<p><b>12</b> Regulator (1 piece)</p> 
<p><b>a.</b> M3x6 screws (4 pieces)</p> 	<p><b>b.</b> M3 lid nuts (4 pieces)</p> 	<p><b>c.</b> M4x16 bolts (18 pieces)</p> 	<p><b>d.</b> Spring (1 piece)</p> 	<p><b>e.</b> M5 lid nut (1 piece)</p> 	

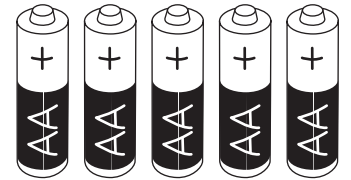
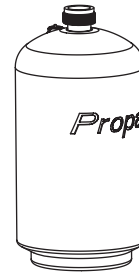
## ASSEMBLY INSTRUCTIONS

Find a large, clean area to assemble your appliance.

Remove all packing material before assembling.

**CAUTION**

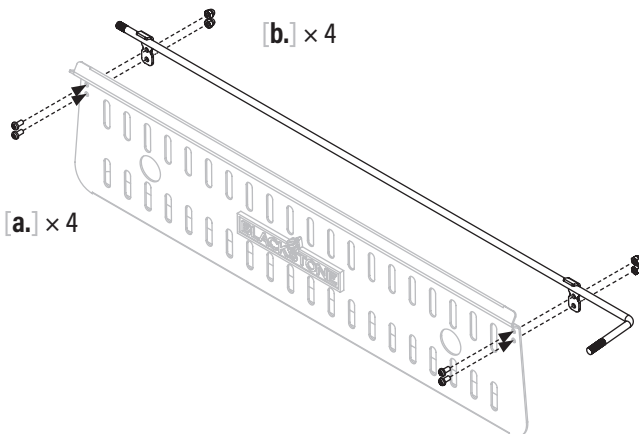
Sharp edges. Wear gloves while assembling.



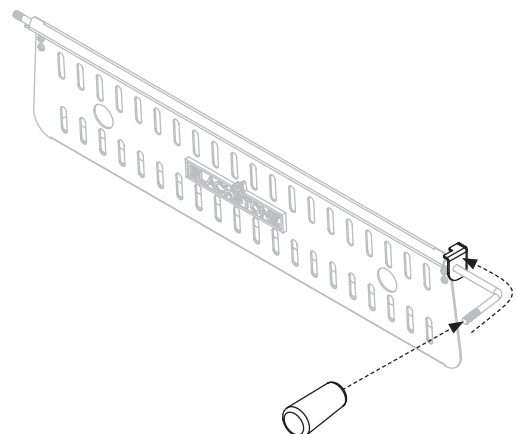
**NOT INCLUDED:**  
LPG cylinder  
Size: 4 x 8 in (10 x 20 cm), 1 lb (453 g)

**NOT INCLUDED:**  
One (1) AA battery (for ignition)  
Optional four (4) AA batteries (for the motor)

**STEP 01** Use four (4) M3x6 bolts [a.] and four (4) M3 lid nuts [b.] to attach the door shaft to the oven door.

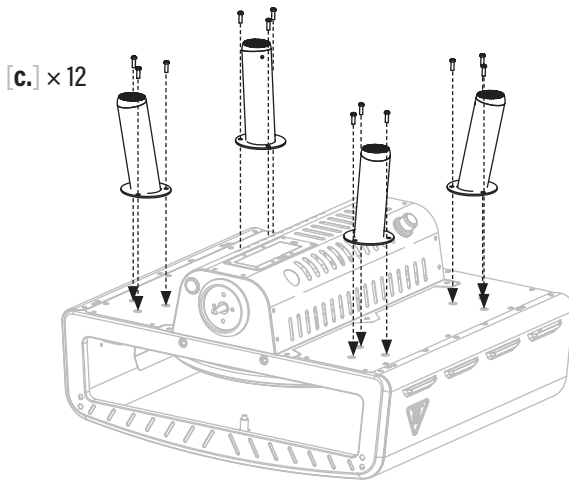


**STEP 02** Slide the door shaft seat (R) onto the door shaft. Screw the door handle onto the door shaft.

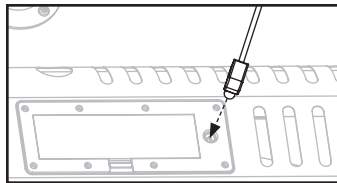


**STEP 03** Set the pizza oven on its back.

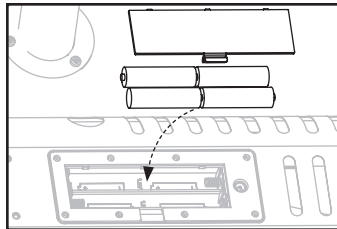
Use twelve (12) M4x16 bolts [c.] to attach the four (4) legs to the bottom of the pizza oven.

**STEP 05** To power the motor:

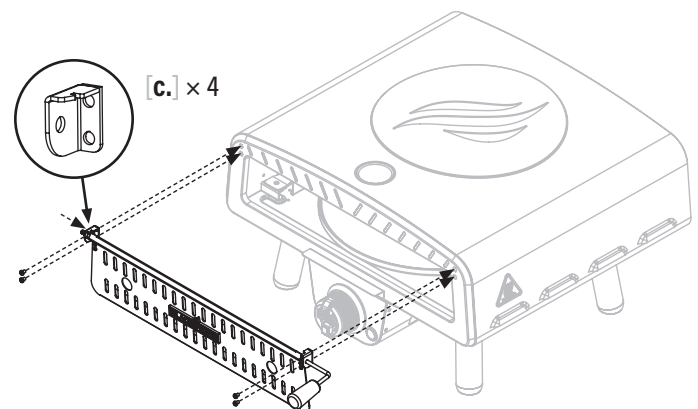
**OPTION A:** Plug the power cord into the motor.



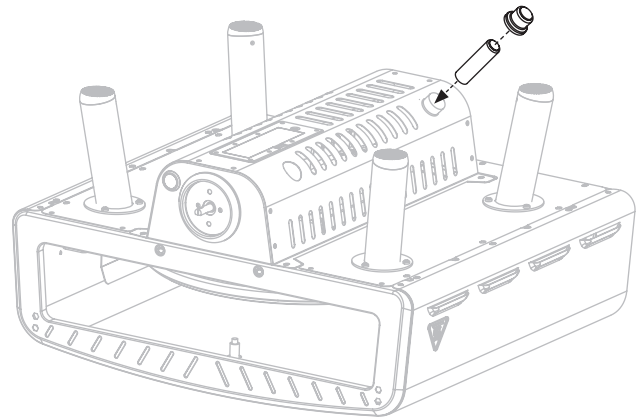
**OPTION B:** Insert four (4) AA batteries into the motor. (DO NOT use the batteries and the AC power supply at the same time.)

**STEP 07** Slide the door shaft seat (L) onto the door shaft.

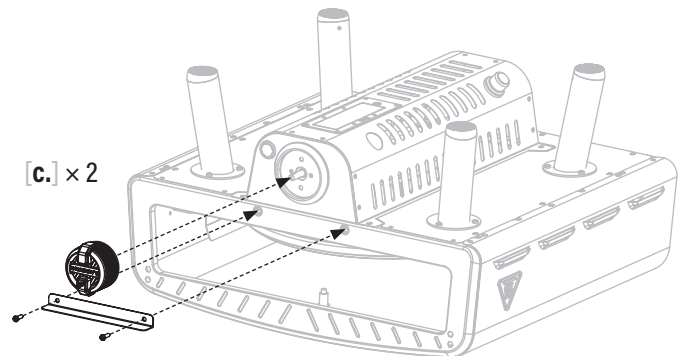
Use four (4) M4x16 bolts [c.] to attach the door shafts to the front of the oven.

**STEP 04** Insert one (1) AA battery (not included) under the battery cap.

Screw the cap into place over the positive terminal.

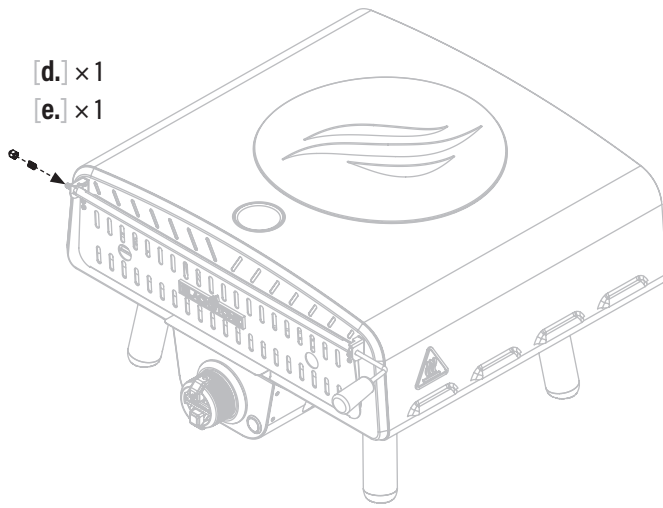
**STEP 06** Use two (2) M4x16 bolts [c.] to attach the baffle panel to the front panel.

Install the control knob by pushing it into place in the OFF position.

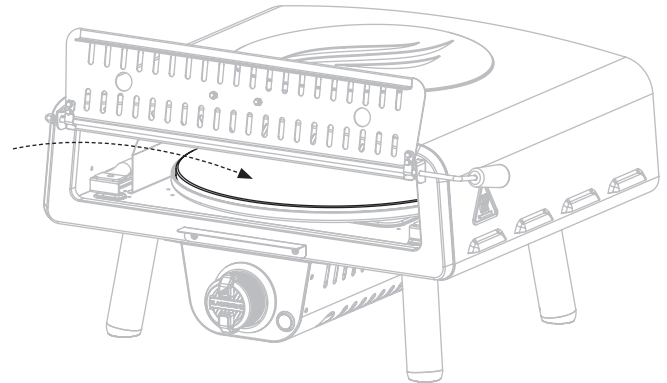




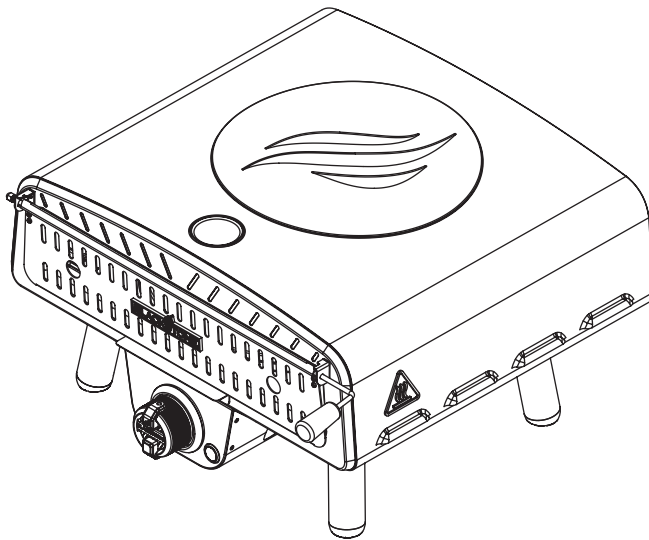
**STEP 08** Secure the spring [d.] to the door shaft with the M5 lid nut [e.].



**STEP 09** Place the pizza stone on the turn table.



**STEP 10** Proceed to **USING YOUR BLACKSTONE.**



**NOTICE**

- DO NOT mix old and new batteries.
- DO NOT mix alkaline, standard (carbon-zinc) or rechargeable (ni-cad, ni-mh, etc.) batteries.

**NOTICE**

Place appliance on a heat-resistant and flame-resistant surface while in use.

# USING YOUR BLACKSTONE

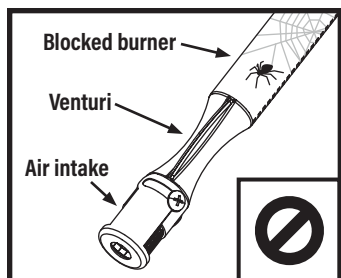
## BEFORE COOKING

### CHECK BURNERS

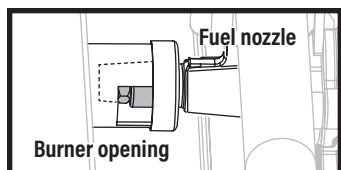
Prior to connection and use, ensure that there is no debris caught in, or damage to, the head of the gas cylinder, regulator, hose, burner and burner ports.

Spiders and insects can nest within and clog the burner/venturi tube at the orifice.

Please reference the Troubleshooting chapter for burner cleaning instructions.



**⚠ WARNING**  
A clogged burner can lead to a fire beneath the appliance.  
Burner should be removed and cleaned whenever blockages are found.



**⚠** Ensure that the gas rail fuel nozzle orifice is correctly engaged within the burner opening.

**⚠ DANGER**  
Flammable items can combust if placed near the appliance. Keep the appliance area clear and free from combustible materials, aerosol containers, gasoline and other flammable vapors and liquids.

**THE MINIMUM AMBIENT OPERATING TEMPERATURE IS 0°F (-18°C).**

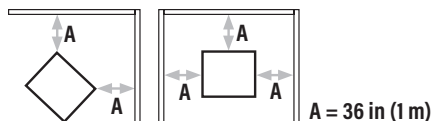
## SETTING UP YOUR OUTDOOR SPACE

**THIS APPLIANCE MUST ONLY BE USED OUTDOORS.**

- DO NOT use this appliance inside buildings, garages, or any other enclosed area.
- DO NOT install this appliance in or on a boat.
- DO NOT install this appliance in or on a recreational vehicle.

**MAINTAIN PROPER CLEARANCES FROM COMBUSTIBLE MATERIAL.**

- DO NOT use this appliance on or under any apartment or condominium balcony or deck.
- DO NOT obstruct the flow of combustion and ventilation air.
- DO NOT operate this appliance any closer than 36 in (1 m) from the sides and back of the appliance to combustible construction.



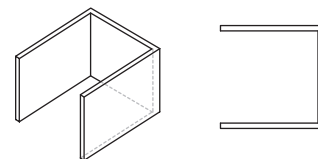
- DO NOT use this appliance under overhead combustible construction.

### SHELTERED OUTDOOR AREAS:

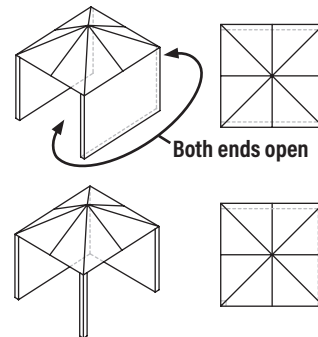
All openings must be permanently open; sliding doors, garage doors, windows or screened openings are not considered as permanent openings.

An appliance is considered to be outdoors if installed with shelter no more inclusive than:

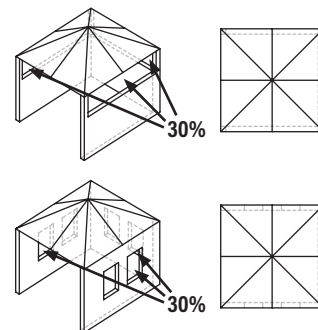
- a. With walls on three sides, but with no overhead cover.



- b. Within a partial enclosure that includes an overhead cover and no more than two side-walls. The sidewalls may be parallel, as in a breezeway, or at right angles to each other.



- c. Within a partial enclosure that includes an overhead cover and three sidewalls, as long as 30% or more of the horizontal periphery of the enclosure is permanently open.



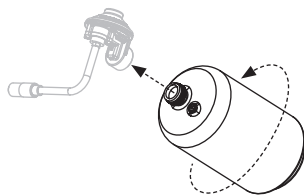




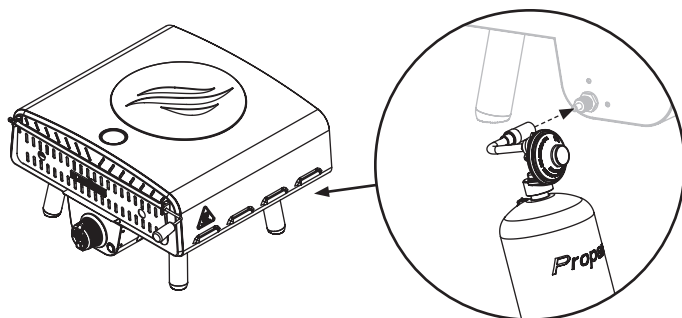
## CONNECT THE LPG CYLINDER

### ONLY USE A 1 LB (453 G) CYLINDER

**STEP 01** Screw in the LPG cylinder into the gas regulator, turning the cylinder clockwise. The regulator may make a humming or whistling noise during operation. This will not affect safety or use of the appliance.



**STEP 02** Insert the regulator and LPG cylinder into the gas line of the appliance. Turn the collar of the regulator clockwise to secure it to the gas line.

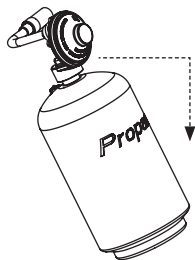


### LPG CYLINDER SAFETY

- The LPG supply cylinder to be used must be constructed and marked in accordance with the specifications for LP gas cylinders, U.S. Department of Transportation (DOT) or the Standard for Cylinders, Spheres and Tubes for the Transportation of Dangerous Goods, CAN/CSA-B339.
- Only LPG cylinders marked "propane" shall be used.
- The cylinder used, if in excess of 2.2 lb (1.00 kg) propane capacity, must include a collar to protect the cylinder valve.
- The LPG cylinder supply system must be arranged for vapor withdrawal.

Always keep new LPG cylinders in upright position during use, transit or storage.

Ensure that the LPG cylinder is positioned below the regulator. (If the liquid level of the propane is above the regulator, the regulator will frost.)



### IF FROSTING PERSISTS AFTER BOTTLE IS ANGLED CORRECTLY:

**STEP 01** Turn off the appliance and disconnect LPG cylinder immediately. This indicates a problem with the LPG cylinder and it should not be used on any product.

**STEP 02** Return LPG cylinder to supplier.

### REGULATOR SAFETY

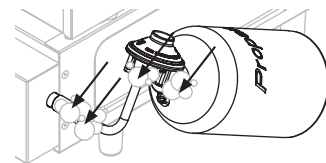
- Use this appliance, as purchased, only with gas and regulator/valve assembly supplied. DO NOT use quick connect fittings or other add-ons.
- DO NOT cross thread (force at an improper angle) the connection between your LPG cylinder and regulator.
- If you can not connect the regulator, DO NOT use the regulator. Regulator must be replaced with a Blackstone approved model by a professionally licensed, authorized dealer.

### LEAK TEST INSTRUCTIONS

**STEP 01** Turn the control knobs to OFF.

**STEP 02** Connect the LPG cylinder to the regulator. Connect the regulator to the appliance.

**STEP 03** Use a clean paintbrush to brush a 1% mild soap and water solution onto joint areas of valves and regulator. Leaks are indicated by growing bubbles.



**STEP 04** If growing bubbles appear, re-tighten connections.

#### ⚠ WARNING

If leaks cannot be stopped, DO NOT try to repair. Regulator must be replaced with a Blackstone approved model by a professionally licensed, authorized dealer.

### DISCONNECTING THE LPG CYLINDER

#### 1 LB (453 G)

**STEP 01** Ensure that the control knob(s) are turned to OFF.

**STEP 02** Once the appliance has cooled, disconnect the regulator from the gas line by unscrewing the collar.

**STEP 03** Unscrew the LPG cylinder from the regulator.

**STEP 04** Place dust cap on LPG cylinder valve outlet whenever cylinder is not in use.

Only install the type of dust cap on cylinder valve outlet that is provided with the cylinder valve. Other types of caps or plugs may result in leakage of propane.

### STORING LPG CYLINDERS

#### ⚠ WARNING

- DO NOT store a spare LPG cylinder under or near this appliance.
  - DO NOT fill an LPG cylinder beyond 80% full.
- If the information above is not followed exactly, a fire causing death or serious injury may occur.

- The LPG cylinder must be disconnected when the appliance is not in use.
- Only store the appliance indoors if the LPG cylinder is disconnected and removed from the appliance.

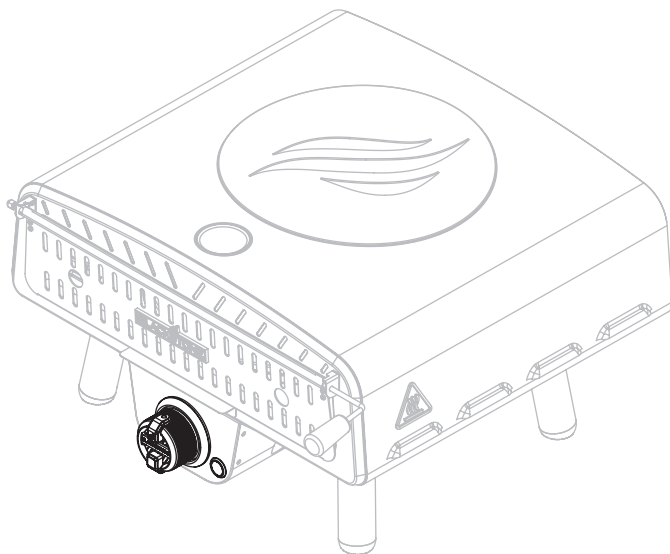
# IGNITION INSTRUCTIONS

## 1. CHECK VALVES

**STEP 01** Turn knob to OFF position.

**STEP 02** Push in knob and release. Knob should spring back. If knobs DO NOT spring back, replace valve assembly before using appliance.

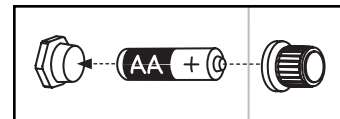
**STEP 03** Rotate knob to LOW then turn back to OFF. Knob should turn smoothly.



## 2. THERMOCOUPLE SURE-START IGNITION

⚠ Keep the oven door closed as much as possible to reach and maintain temperature.

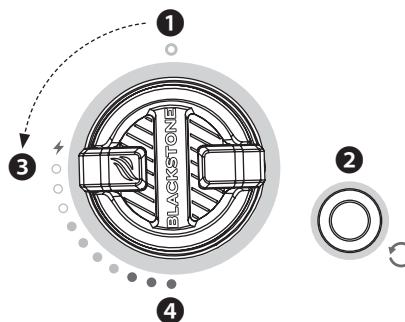
**STEP 01** Ensure there is one (1) AA battery (not included) under the battery cap.



### STEP 02

- 1 Turn the Pizza Oven control knob to OFF.
- 2 Turn on the motor.
- 3 Push in the control knob and turn counterclockwise a quarter turn to LOW. Hold in for 10~20 seconds until thermocouple heats up. You should hear the igniter clicking the entire time. (When you release the knob, the oven should remain lit.)

**STEP 03** Once the flame is consistent, adjust to desired temperature 4.



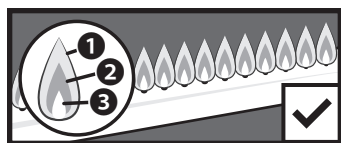
Before first use, run the oven for 15-20 minutes on HIGH to burn off manufacturing remnants.

## 3. ALWAYS CHECK BURNER FLAME BEFORE USE.

**STEP 01** Light burners and rotate knobs from HIGH to LOW.

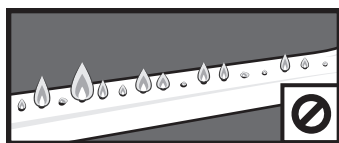
**STEP 02** Look below the cooking surface to view burners. When knob is at HIGH, flames should be larger than when knob is at LOW.

### HEALTHY FLAME PATTERN



- 1 Flickers of yellow color.
- 2 Dark blue color.
- 3 Vibrant blue.

### YELLOW OR IRREGULAR



If there is a sudden drop or low flame issue, please reference the Troubleshooting chapter.

### IF IGNITION DOES NOT OCCUR IN 5 SECONDS:

**STEP 01** Turn the burner control knob OFF.

**STEP 02** Wait 5 minutes.

**STEP 03** Repeat the lighting procedure.

If burner does not ignite, please reference the Troubleshooting chapter.



## COOKING ON YOUR BLACKSTONE

### ⚠ CAUTION

This appliance will be hot during and after use. Use long-handled utensils and oven mitts/ protective gloves when handling potentially hot parts to protect against burns and splatters.

### ⚠ CAUTION

If the appliance is fitted with a paper towel holder, the arm must be in the open position while the appliance is in use.

### NOTICE

DO NOT store any items within 3 in (8 cm) of the cooking surface while in use.

### IF GREASE OR OTHER HOT MATERIAL DRIPS ONTO VALVE, HOSE OR REGULATOR:

**STEP 01** Turn off gas supply immediately.

**STEP 02** Determine the cause and correct it.

**STEP 03** Clean and inspect valve, hose and regulator.

**STEP 04** Perform a leak test. (Please reference the Leak Test Instructions)

## VIDEO RECIPES

Find recipes and cooking tips at:

[BlackstoneProducts.com/recipes](https://BlackstoneProducts.com/recipes)

[youtube.com/BlackstoneGriddles](https://youtube.com/BlackstoneGriddles)



### CLASSIC MARGHERITA

- Tomato sauce
- Grated parmesan cheese
- Basil leaves
- Fresh mozzarella
- Light drizzle of olive oil

### BBQ CHICKEN

- Your favorite BBQ sauce
- Chopped cooked chicken
- Thinly sliced red onion
- Shredded mozzarella cheese



### THAI SWEET CHILI

- Sweet Thai chili sauce
- Chopped cooked chicken
- Thinly sliced red onion
- Chopped fresh cilantro
- Shredded mozzarella cheese

## NEW YORK STYLE PIZZA DOUGH

1 hour 30 min.

### INGREDIENTS

- 4 cups of bread flour
- 1 and ½ cups of warm water
- 1 teaspoon of instant dry yeast
- 3 teaspoons of honey
- 2 teaspoons of salt
- 4 teaspoons of olive oil



**STEP 01** Add water, flour, yeast, honey and salt together in a large bowl. (Don't add the oil yet. You want the flour to hydrate first before adding oil.)

**STEP 02** Mix the dough until most of the flour is incorporated.

**STEP 03** Add the oil and knead your dough for 5-10 minutes.

**STEP 04** Cover dough and let it rest for 10-15 minutes.

**STEP 05** Divide the dough into 3 pieces and round into balls. Wipe the dough balls with oil or cooking spray.

**STEP 06** Cover dough balls and let rise for about an hour.

## HOW TO STRETCH PIZZA DOUGH

**Important:** Having your dough at room temp will make stretching it much easier. Cold dough is very difficult to work with.

**STEP 01** Generously flour your prep surface to prevent dough from sticking.

**STEP 02** Flatten the dough with the palm of your hand, starting from the center out. Using a rolling pin is fine but won't give you a puffy crust.

**STEP 03** Pick up the dough and put it on the back of your hands. Rotate the dough from hand to hand letting gravity do most of the work stretching it out.

**Note:** Use a small amount of flour, semolina, or cornmeal on your pizza peel to prevent sticking.

## HOW TO USE YOUR PIZZA OVEN

### FRESH PIZZA

**STEP 01** Preheat your oven on high for about 20-25 minutes.

**STEP 02** Once the desired stone temperature is reached (650°-750°F (340°- 400°C) for fresh dough pizza), turn the control knob to low. Depending on what you are cooking, you may adjust the temperature while cooking to achieve desired results.

**Note:** The thermometer only measures the air temperature in the oven, NOT the stone temperature. Use an infrared thermometer (not included) to measure the bottom stone temperature. **Proper stone temperature is critical for consistent results.**

**STEP 03** Pizza cooking time is about 2-4 minutes depending on the size and thickness of the pizza.

- Thinner foods should be cooked at a higher temperature for a shorter time.
- Thicker or denser foods should be cooked at a lower temperature for a longer time.

**STEP 04** Pull the pizza out when the crust has reached your desired readiness, or when the edges of the pizza crust are golden-brown.

### FOR BEST RESULTS:

- Wait to put a new pizza in until the temperature of the bottom stone is back to your desired temperature.
- Set the temperature to HIGH between cooks and LOW during cooks.
- Keep the door closed as much as possible to retain heat.
- Experiment with pieces of dough beforehand to determine the optimal stone temperature for your pizza.

### FROZEN PIZZAS, COOKIES, ETC.

Follow the food manufacturer's directions. Let frozen food thaw a little before putting it into the hot oven. This will prevent your pizza stone from cracking.

## CLEANING YOUR PIZZA STONE

**STEP 01** Set your oven to HIGH for 15~20 min to burn off residue.

**STEP 02** Once your oven has cooled completely, flip the stone over and use the cleaner side.

### NOTICE

DO NOT use soap on the cooking stone. This will leave a soap taste in food.

## CARE AND MAINTENANCE

### ⚠ WARNING

Grease build up can cause a fire. Clean any part of the appliance that gets hot and experiences grease build up after each use.

### ⚠ CAUTION

All cleaning and maintenance should be carried out when the appliance is cool and everything is turned OFF.

- DO NOT use abrasive pad on areas with graphics.
- If a bristle brush is used to clean any of the cooking surfaces, ensure no loose bristles remain on cooking surfaces prior to cooking.

### APPLIANCE BODY:

Wash with warm soapy water and immediately wipe dry with a non-abrasive cloth. (DO NOT allow cleaning agents to rest on any porous surface for a prolonged amount of time.)

### NOTICE

DO NOT use Citrisol, abrasive cleaners, or a concentrated cleaner on the appliance. This may result in damage to and failure of parts.

## APPLIANCE STORAGE

### ⚠ WARNING

DO NOT move the appliance when in use. Allow the appliance to cool to 115°F (45°C) before moving or storing.

Storage of an appliance indoors is only permissible if the gas supply is disconnected and removed from the appliance.

### COVER FIT GUIDE

Always cover your appliance when stored outdoors.



To find a cover that will fit your appliance, visit [BlackstoneProducts.com/support](https://BlackstoneProducts.com/support).



# TROUBLESHOOTING

## IGNITION TROUBLESHOOTING

### BURNER WILL NOT IGNITE:

If ignition does not occur in 5 seconds:

**STEP 01** Turn the burner control knob OFF.

**STEP 02** Wait 5 minutes.

**STEP 03** Repeat the lighting procedure.

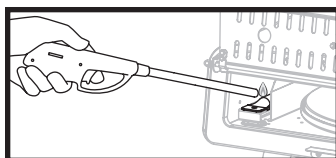
If this does not work, to determine the cause, please try to ignite your appliance with a match.

### MATCH LIGHTING INSTRUCTIONS

Before beginning, check for gas leaks. Open hood (if applicable).

**STEP 01** Turn control knob to OFF position.

**STEP 02** Light a match (or long lighter) no shorter than 11 inches long.

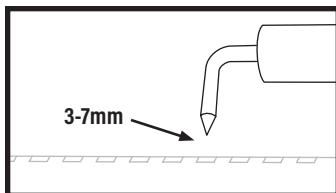


**STEP 03** Place the flame next to the burner.

**STEP 04** Push in and turn the control knob to start gas flowing. Ensure burner lights and stays lit.

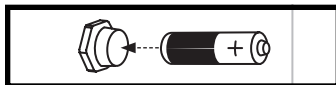
### IF YOU CAN IGNITE YOUR APPLIANCE WITH A MATCH:

POSSIBLE CAUSES	SOLUTION
Ignitor wire misaligned.	Ensure that the ignitor needle is positioned 3-7mm away from the burner, and aligned with the burner holes.



Damage to the ignition system.	Contact customer support for replacement parts.
--------------------------------	---

Dead / improperly installed battery.	Replace with new battery.
--------------------------------------	---------------------------



### IF YOU CAN NOT IGNITE YOUR APPLIANCE WITH A MATCH:

POSSIBLE CAUSES	SOLUTION
Burner tubes are not receiving fuel.	Clean the burner assembly to remove the obstruction.

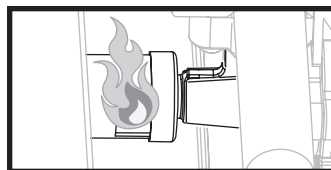
## GAS FLOW TROUBLESHOOTING

### BURNER FLAMES ARE YELLOW OR IRREGULAR:

- Appliance will not achieve a high heat or heats unevenly.
- Burner flames start strong, then immediately drop to low even when burner is set to high position.
- Flame height drops when a second burner is lit.
- Flames DO NOT extend the full length of the burner, or only run on one side of the burner.
- Burner flames are inconsistent.

POSSIBLE CAUSES	SOLUTION
Obstructions in the burner, gas jets, or fuel rail.	Clean the burner, jets, and gas hose.
Gas cylinder is empty or low.	Refill or replace the gas cylinder.
The regulator's flow limiting device was triggered.	Reset the safety system: <b>STEP 01</b> Turn OFF the appliance, close the LPG cylinder valve, and disconnect the regulator from the LPG cylinder. <b>STEP 02</b> Wait five minutes to allow the pressure to dissipate, then reconnect the regulator to the LPG cylinder and slowly open the OPD hand wheel one half turn. <b>STEP 03</b> Ignite your appliance.
Regulator stuck in safety position.	Contact customer support for replacement parts.

### A FLAME IS COMING OUT OF THE AIR GATE:



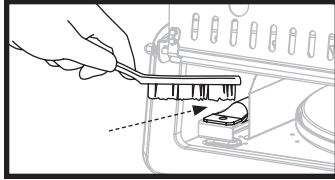
POSSIBLE CAUSES	SOLUTION
Something is blocking the venturi in the burner.	Clean the burner assembly to remove the obstruction.

## CLEANING THE BURNER ASSEMBLY

### ⚠ CAUTION

All cleaning and maintenance should be carried out when the appliance is cool and with the fuel supply turned OFF at the gas cylinder.

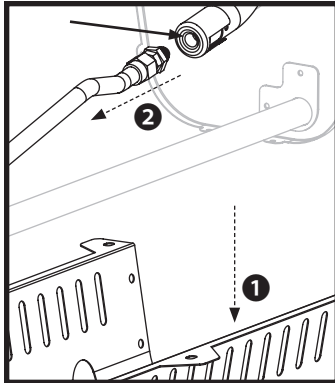
**STEP 01** Run a nylon brush over the outer surface of the burner to remove grime.



### STEP 02

① Remove the base panel cover from the base of the unit.

② Disconnect the orifice nozzle and gas line from the burner tube.



**STEP 03** Use compressed air to clear the burner tubes.

**Note:** Once reinstalled, the gas line should be leak tested to ensure there are no holes in the line.

## CUSTOMER SUPPORT

Visit us online at [BlackstoneProducts.com/support](https://www.blackstoneproducts.com/support) for assistance concerning appliance use, replacement parts, or your warranty.

### CUSTOMER SUPPORT HOURS:

🕒 Monday - Friday  
7:00 am - 5:00 pm (Mountain Time)

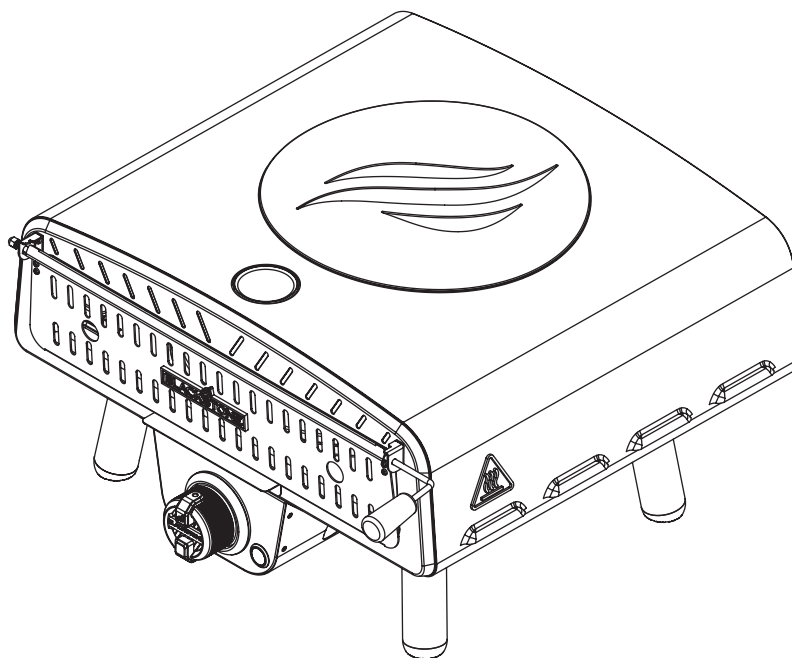


This page intentionally left blank



This product may be covered by one or more issued U.S. and/or international patents and may include patent applications pending. For more information, please visit: [BlackstoneProducts.com/patents](https://BlackstoneProducts.com/patents)





MANUEL DU PROPRIÉTAIRE

# FOUR À PIZZA LEGGERO

## TABLE DES MATIÈRES

INFORMATIONS DE SÉCURITÉ IMPORTANTES .....	02
GARANTIE .....	03
GUIDE D'ASSEMBLAGE .....	04
UTILISATION DE VOTRE BLACKSTONE .....	08
DÉPANNAGE .....	13



Pour obtenir la dernière version de ce manuel, scannez ce code ou visitez [BlackstoneProducts.com/support](https://BlackstoneProducts.com/support)

### IMPORTANT:

Ce manuel d'instructions contient des informations importantes nécessaires au montage correct et à l'utilisation en toute sécurité de l'appareil.

Lisez et suivez tous les avertissements et instructions avant d'assembler et d'utiliser l'appareil.

Suivez tous les avertissements et instructions lors de l'utilisation de l'appareil.

Conservez ce manuel pour référence ultérieure.

Installateur/Assembleur : Laisser ces instructions au consommateur.

### CLÉ D'ALERTE DE SÉCURITÉ

#### ⚠ DANGER

Indique une situation dangereuse qui, si elle n'est pas évitée, entraînera la mort ou des blessures graves.

#### ⚠ ATTENTION

Indique une situation dangereuse qui, si elle n'est pas évitée, pourrait entraîner des blessures mineures ou modérées.

#### ⚠ AVERTISSEMENT

Indique une situation dangereuse qui, si elle n'est pas évitée, peut entraîner la mort ou des blessures graves.

#### AVIS

Indique des informations considérées comme importantes, mais non liées à un danger (par exemple, des messages liés à des dommages matériels).

# INFORMATIONS DE SÉCURITÉ IMPORTANTES

FRANÇAIS

## ⚠ DANGER

**Si vous sentez une odeur de gaz:**

- Fermez le gaz vers l'appareil.
- Éteignez toute flamme nue.
- Ouvrez le capot (le cas échéant).
- Si l'odeur persiste, éloignez-vous de l'appareil et appelez immédiatement votre fournisseur de gaz ou votre service d'incendie.

**Le non-respect de ces instructions peut entraîner un incendie ou des dommages matériels, des blessures ou la mort.**

## ⚠ DANGER

- **NE FAITES jamais fonctionner cet appareil sans surveillance.**
- **En cas d'incendie, éloignez-vous de l'appareil et appelez immédiatement les pompiers. N'ESSAYEZ PAS d'éteindre un feu d'huile ou de graisse avec de l'eau.**

**Le non-respect de ces instructions peut entraîner un incendie ou des dommages matériels, des blessures ou la mort.**

## SÉCURITÉ DES APPAREILS ÉLECTRIQUES

### POUR SE PROTÉGER CONTRE LES CHOCS ÉLECTRIQUES:

- Ne plongez pas le cordon ou les fiches dans l'eau ou tout autre liquide.
- Débranchez-le de la prise lorsqu'il n'est pas utilisé et avant de le nettoyer. Laissez refroidir avant de mettre ou de retirer des pièces.
- N'UTILISEZ PAS un appareil de cuisson à gaz extérieur à des fins autres que celles prévues.
- NE FAITES pas fonctionner cet appareil avec un cordon ou une prise endommagés ou après un dysfonctionnement de l'appareil ou s'il a été endommagé de quelque manière que ce soit. Contactez le fabricant pour réparation.
- Ne laissez pas le cordon pendre du bord d'une table ou toucher des surfaces chaudes.
- Gardez tout cordon d'alimentation électrique et le tuyau d'alimentation en carburant éloignés des surfaces chauffées.
- Lors de la connexion, branchez d'abord la fiche à l'appareil puis dans la prise.

### UTILISEZ UNIQUEMENT UN CIRCUIT PROTÉGÉ PAR DISJONCTEUR DE FUITE À LA TERRE (GFI) AVEC CET APPAREIL.

- Cet appareil, lorsqu'il est installé, doit être mis à la terre conformément aux codes locaux ou, en l'absence de codes locaux, à la norme NFPA 70 Code canadien de l'électricité, partie I.
- Ne retirez pas la fiche de mise à la terre et ne l'utilisez pas avec un adaptateur à 2 broches.
- Utilisez uniquement des rallonges avec une fiche de mise à la terre à 3 broches, adaptées à la puissance de l'équipement et approuvées pour une utilisation en extérieur avec un marquage W-A.

## ⚠ AVERTISSEMENT

- **Ne stockez pas et N'UTILISEZ PAS d'essence ou d'autres liquides ou vapeurs inflammables à proximité de cet appareil ou de tout autre appareil.**
- **Une bouteille de GPL non connectée pour utilisation ne doit pas être stockée à proximité de cet appareil ou de tout autre appareil.**

## SÉCURITÉ DES APPAREILS À GAZ

- L'utilisation d'alcool, de médicaments sur ordonnance ou en vente libre peut nuire à la capacité du consommateur à assembler correctement ou à utiliser l'appareil en toute sécurité.
- Gardez les enfants et les animaux domestiques éloignés de l'appareil à tout moment.
- Ayez à portée de main un extincteur de type BC ou ABC.

### NE PAS UTILISER À DES FINS AUTRES QUE CELLES PRÉVUES.

- NE PAS utiliser pour la cuisine commerciale.
- N'UTILISEZ PAS cet appareil comme appareil de chauffage.

## ⚠ AVERTISSEMENT

Une installation, une utilisation, un réglage, une altération, un entretien, une modification ou un entretien inappropriés peuvent entraîner des blessures ou des dommages matériels. Reportez-vous à ce manuel.

### L'INSTALLATION DOIT ÊTRE CONFORME AUX CODES LOCAUX.

En l'absence de codes locaux, l'installation doit être conforme à ANSI Z223.1/NFPA 54, CSA B149.1 ou CSA B149.2.

### POUR UNE UTILISATION EN EXTÉRIEUR UNIQUEMENT.

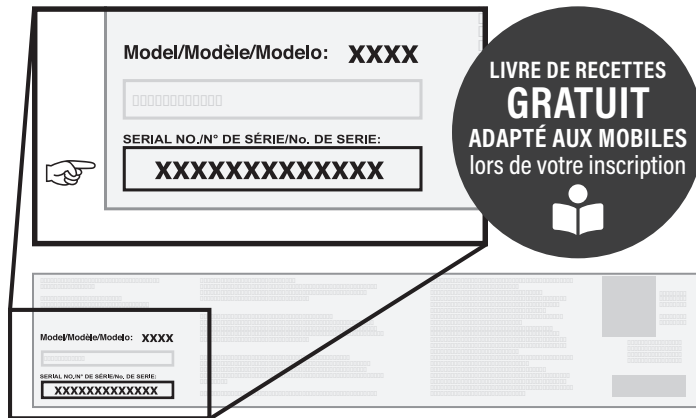


# GARANTIE

La garantie d'un an de North Atlantic Imports LLC couvre les pièces de rechange jusqu'à un an après la date d'achat.

## POUR ACTIVER CETTE GARANTIE, VOUS DEVREZ FOURNIR:

☞ Numéro de série de votre appareil



Le numéro de série se trouve sur l'étiquette du fabricant de votre appareil. (L'étiquette du fabricant est un grand autocollant argenté apposé sur le corps de votre appareil.)



Enregistrez votre appareil sur [BlackstoneProducts.com/register](https://BlackstoneProducts.com/register)

## PRÉSENTATION DE LA GARANTIE

North Atlantic Imports, le fabricant, garantira pendant un an à compter de l'achat toutes les pièces, la fabrication et les finitions. Ce sera l'option du fabricant de réparer ou de remplacer l'un des éléments ci-dessus. Toutes les garanties sont limitées à l'acheteur d'origine uniquement. Cette garantie ne couvre aucune responsabilité de la part de North Atlantic Imports, de ses agents ou employés, pour tout dommage indirect ou consécutif résultant d'une violation de la garantie. L'acheteur doit suivre les instructions d'utilisation du fabricant.

Le fabricant n'est en aucun cas responsable des dommages résultant d'une mauvaise utilisation de la station de cuisson. Il est de la responsabilité de l'acheteur d'établir la période de garantie en vérifiant la date d'achat originale avec le reçu de vente original.

## EXPLICATION DÉTAILLÉE DE LA GARANTIE

North Atlantic Imports LLC garantit au propriétaire que le produit couvert par cet accord est exempt de défauts de matériaux et de fabrication dans des conditions normales d'utilisation et de service pour lesquelles il était destiné si, mais seulement si, il a été utilisé conformément à North Atlantic Imports LLC instructions exclusivement pour un usage domestique, et non pour un club privé ou public, à des fins institutionnelles ou commerciales.

L'obligation de North Atlantic Imports LLC en vertu de cette garantie est limitée au remplacement ou à la réparation, sans frais, de toute pièce ou pièces qui peuvent s'avérer, à la satisfaction de North Atlantic Imports LLC, défectueuses dans le cadre d'une utilisation et d'un entretien domestiques normaux dans les périodes indiquées ci-dessous, de temps à compter de la date d'achat ; pendant un an à compter de l'achat, toutes les pièces, la finition et la fabrication. En cas de non-conformité à cette garantie pendant les périodes de garantie applicables indiquées ci-dessus, l'acheteur d'origine doit informer North Atlantic Imports LLC de la violation de la garantie pendant la période de garantie applicable.

North Atlantic Imports LLC doit, sur notification et conformité de l'acheteur d'origine avec ces instructions, corriger cette non-conformité en réparant ou en remplaçant la ou les pièces défectueuses.

La correction de la manière indiquée ci-dessus constituera l'accomplissement de toutes les obligations de North Atlantic Imports LLC en ce qui concerne la qualité du produit.

North Atlantic Imports LLC ne garantit pas que cet équipement réponde aux exigences de tout code de sécurité d'un état, d'une municipalité ou d'une autre juridiction, et l'acheteur d'origine assume tous les risques et responsabilités résultant de son utilisation, qu'il soit utilisé conformément à North Atlantic Imports instructions LLC ou autrement.

Cette garantie ne couvre pas et est destinée à exclure toute responsabilité de la part de North Atlantic, ses agents, préposés ou employés, que ce soit en vertu de cette garantie ou implicite par la loi pour tout dommage indirect ou consécutif en cas de violation de toute garantie. L'acheteur doit établir toutes les périodes de garantie applicables conformément à cette garantie en vérifiant la date d'achat originale en produisant le reçu de vente daté. Cette garantie ne s'applique pas à ce produit ou à toute autre partie de celui-ci qui a fait l'objet d'un accident, d'une négligence, d'une altération, d'un abus ou d'une mauvaise utilisation ou qui a été réparé ou modifié sans le consentement écrit de North Atlantic, en dehors de l'usine de North Atlantic Imports LLC. La garantie complète du fabricant n'est pas valable pour les plaques chauffantes achetées auprès de revendeurs tiers sans licence, achetées à prix réduit en raison de pièces manquantes ou endommagées, ou achetées en tant que modèle de plancher ; à la discrétion de North Atlantic Imports.

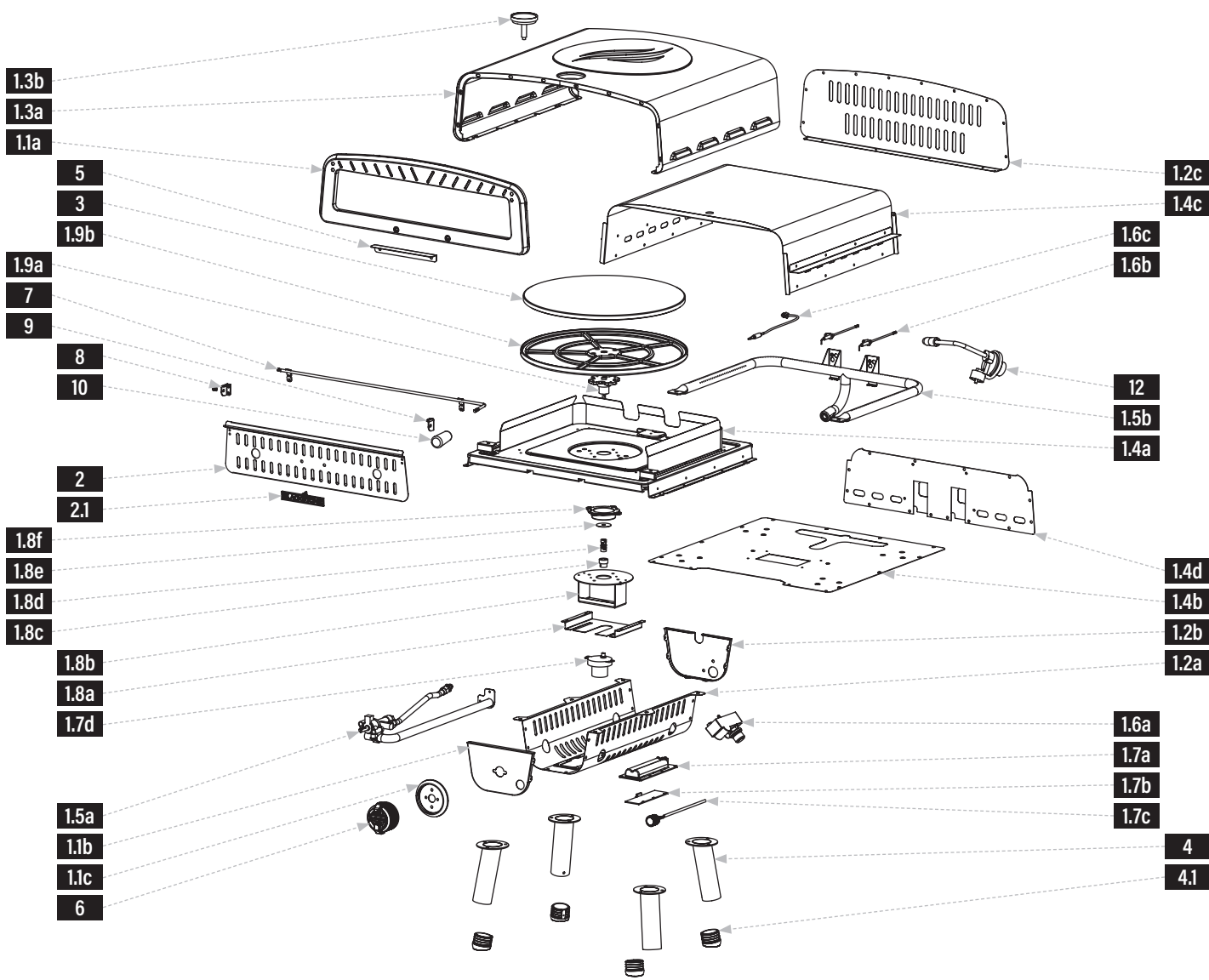
North Atlantic Imports LLC n'offre aucune garantie quant aux accessoires ou pièces non fournis avec. Cette garantie ne s'applique qu'à l'intérieur des frontières des États-Unis d'Amérique et du Canada. Cette garantie donne à l'acheteur d'origine des droits spécifiques, et l'acheteur d'origine peut également avoir d'autres droits, qui varient d'un état à l'autre.



# GUIDE D'ASSEMBLAGE

## VUE ÉCLATÉE


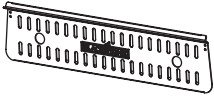
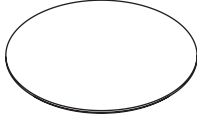
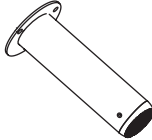


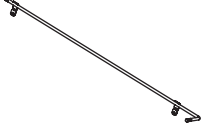

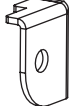
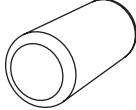
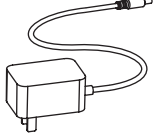
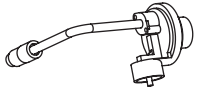
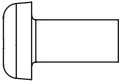
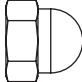
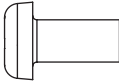

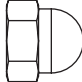
FRANÇAIS



### LISTE DES PIÈCES

PIÈCES	QTÉ	PIÈCES	QTÉ	PIÈCES	QTÉ	PIÈCES	QTÉ
<b>1.1a</b> Panneau avant supérieur	1	<b>1.3a</b> Couvercle du four	1	<b>1.6b</b> Aiguilles d'allumage	2	<b>1.8c</b> Bloc de connexion d'arbre	1
<b>1.1b</b> Panneau avant inférieur	1	<b>1.3b</b> Thermomètre	1	<b>1.6c</b> Couple thermoélectrique	1	<b>1.8d</b> Couplage	1
<b>1.1c</b> Lunette de bouton de commande	1	<b>1.4a</b> Plaque inférieure	1	<b>1.7a</b> Boîtier de batterie	1	<b>1.8e</b> Plaque d'arrêt	1
<b>1.2a</b> Couverture du panneau de base	1	<b>1.4b</b> Plaque d'étanchéité	1	<b>1.7b</b> Couvercle du boîtier de batterie	1	<b>1.8f</b> Manchon de palier d'arbre	1
<b>1.2b</b> Panneau arrière inférieur	1	<b>1.4c</b> Bouchon intérieur	1	<b>1.7c</b> Bouton moteur	1	<b>1.9a</b> Support de plateau tournant	1
<b>1.2c</b> Panneau arrière supérieur	1	<b>1.4d</b> Plaque arrière de couverture intérieure	1	<b>1.7d</b> Moteur	1	<b>1.9b</b> Plaque tournante	1
		<b>1.5a</b> Conduite de gaz	1	<b>1.8a</b> Bouclier thermique du moteur	1	<b>2.1</b> Plaque signalétique	1
		<b>1.5b</b> Brûleur	1	<b>1.8b</b> Assistance moteur	1	<b>4.1</b> Base de pied	4
		<b>1.6a</b> Allumeur	1				



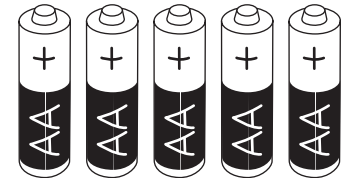
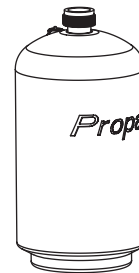
<p><b>1</b> Corps de four (1 pièce)</p> 	<p><b>2</b> Porte du four (1 pièce)</p> 	<p><b>3</b> Pierre à pizza (1 pièce)</p> 	<p><b>4</b> Jambes (4 pièces)</p> 	<p><b>5</b> Panneau déflecteur (1 pièce)</p> 	<p><b>6</b> Bouton de commande (1 pièce)</p> 
<p><b>7</b> Arbre de porte (1 pièce)</p> 	<p><b>8</b> Siège d'arbre de porte (L) (1 pièce)</p> 	<p><b>9</b> Siège d'arbre de porte (R) (1 pièce)</p> 	<p><b>10</b> Poignée de porte (1 pièce)</p> 	<p><b>11</b> Cordon d'alimentation (1 pièce)</p> 	<p><b>12</b> Régulateur (1 pièce)</p> 
<p><b>a.</b> Vis M3x6 (4 pièces)</p> 	<p><b>b.</b> Écrous de couvercle M3 (4 pièces)</p> 	<p><b>c.</b> Boulons M4x16 (18 pièces)</p> 	<p><b>d.</b> Ressort (1 pièce)</p> 	<p><b>e.</b> Écrou de couvercle M5 (1 pièce)</p> 	

## INSTRUCTIONS DE MONTAGE

Trouvez une grande surface propre pour assembler votre appareil.  
Retirez tous les matériaux d'emballage avant l'assemblage.

### ⚠ ATTENTION

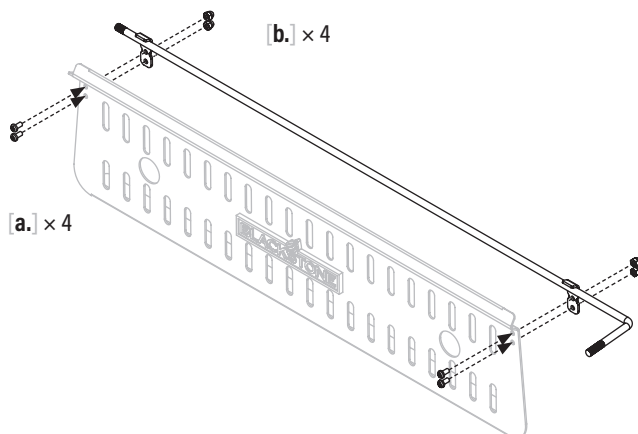
Bouts pointus. Portez des gants lors de l'assemblage.



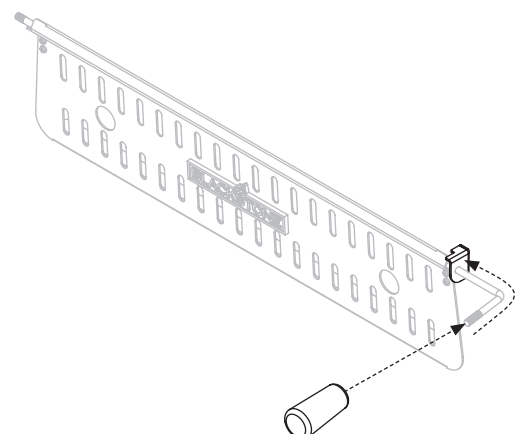
**NON INCLUS:**  
Bouteille GPL  
Taille: 10 x 20 cm (4 x 8 po), 453 g (1 lb)

**NON INCLUS:**  
Une (1) pile AA (pour l'allumage)  
Quatre (4) piles AA en option  
(pour le moteur)

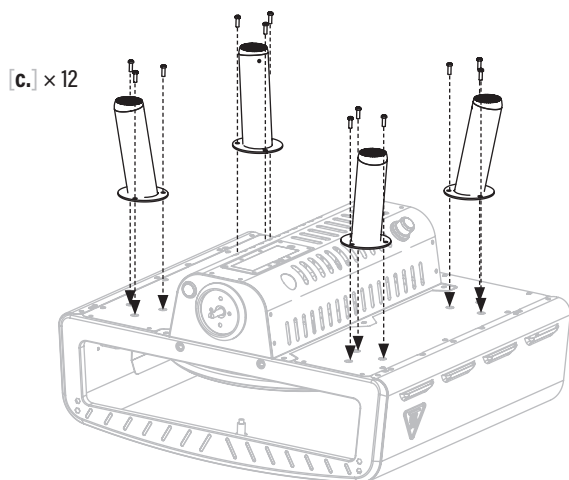
**ÉTAPE 01** Utilisez quatre (4) boulons M3x6 **[a.]** et quatre (4) écrous de couvercle M3 **[b.]** pour fixer l'arbre de la porte à la porte du four.



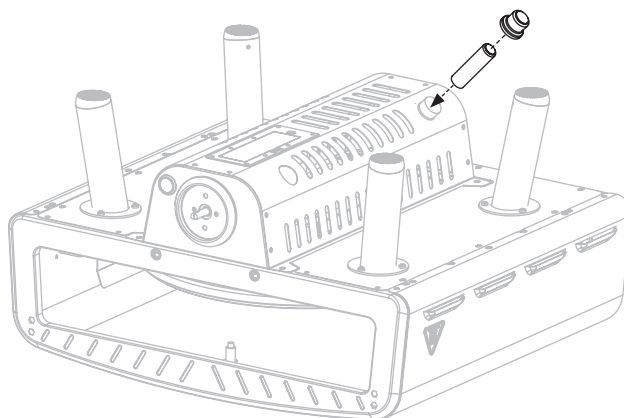
**ÉTAPE 02** Faites glisser le siège de l'arbre de porte (R) sur l'arbre de porte. Visser la poignée de porte sur l'arbre de porte.



**ÉTAPE 03** Placez le four à pizza sur son dos. Utilisez douze (12) boulons M4x16 [c.] pour fixer les quatre (4) pieds au bas du four à pizza.

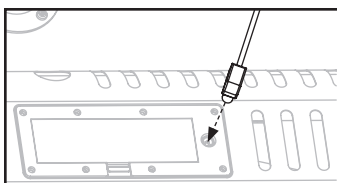


**ÉTAPE 04** Insérez une (1) pile AA (non incluse) sous le couvercle de la pile. Visser le capuchon en place sur la borne positive.

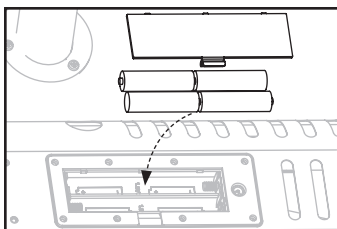


**ÉTAPE 05** Pour alimenter le moteur :

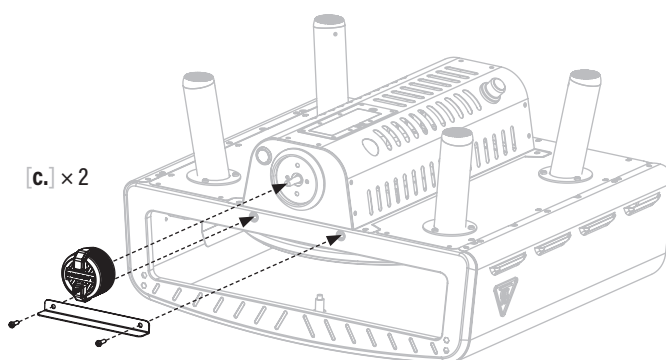
**OPTION A :** Branchez le cordon d'alimentation sur le moteur.



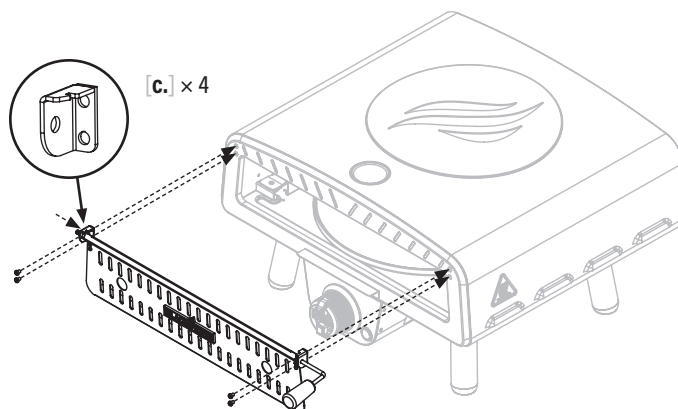
**OPTION B :** Insérez quatre (4) piles AA dans le moteur. (N'UTILISEZ PAS les piles et l'alimentation secteur en même temps.)



**ÉTAPE 06** Utilisez deux (2) boulons M4x16 [c.] pour fixer le panneau déflecteur au panneau avant. Installez le bouton de commande en le poussant en place en position OFF.

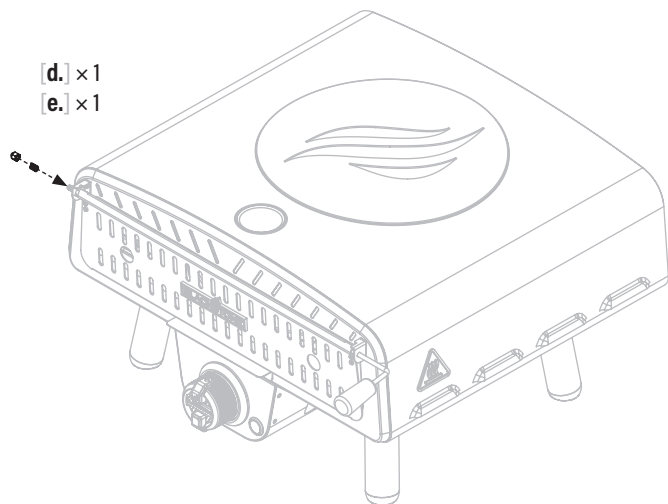


**ÉTAPE 07** Faites glisser le siège de l'arbre de porte (L) sur l'arbre de porte. Utilisez quatre (4) boulons M4x16 [c.] pour fixer les axes de la porte à l'avant du four.

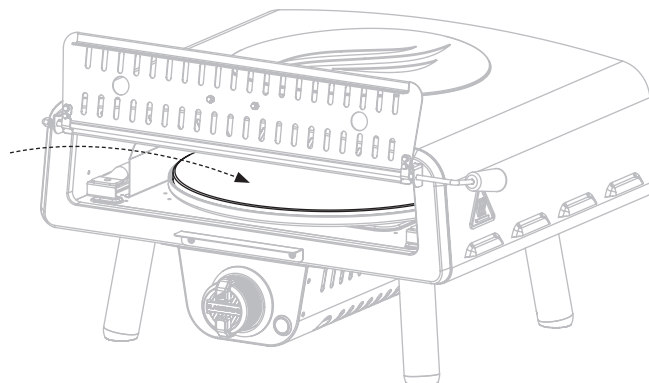




**ÉTAPE 08** Fixez le ressort [d.] à l'arbre de la porte avec l'écrou de couvercle M5 [e.].

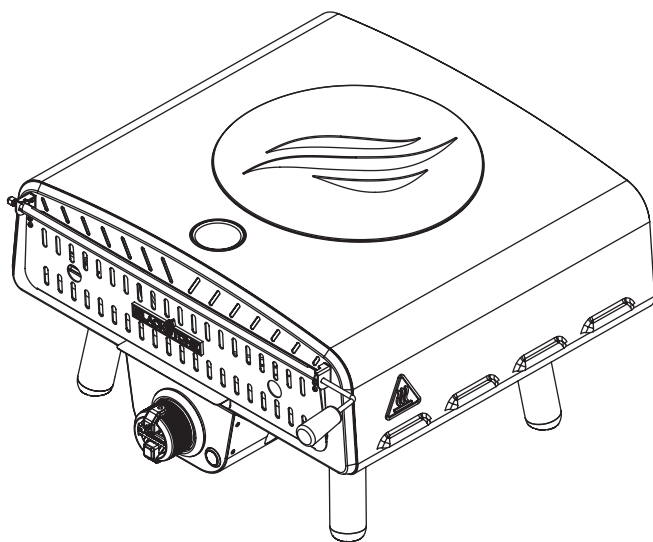


**ÉTAPE 09** Placez la pierre à pizza sur le plateau tournant.



FRANÇAIS

**ÉTAPE 10** Passez à **UTILISATION DE VOTRE BLACKSTONE.**



**AVIS**

- Ne mélangez pas des piles anciennes et neuves.
- Ne mélangez pas des piles alcalines, standard (carbone-zinc) ou rechargeables (ni-cad, ni-mh, etc.).

**AVIS**

Placez l'appareil sur une surface résistante à la chaleur et aux flammes pendant son utilisation.

# UTILISATION DE VOTRE BLACKSTONE

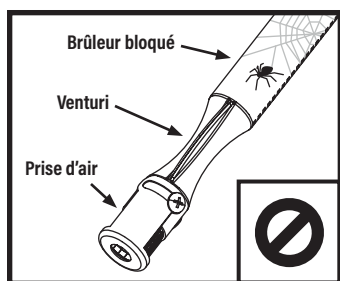
## AVANT LA CUISSON

### VÉRIFIER LES BRÛLEURS

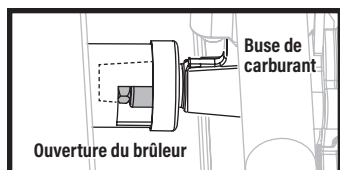
Avant le raccordement et l'utilisation, assurez-vous qu'il n'y a pas de débris coincés ou endommagés dans la tête de la bouteille de gaz, le régulateur, le tuyau, le brûleur et les orifices du brûleur.

Les araignées et les insectes peuvent nicher à l'intérieur et obstruer le brûleur/ tube venturi au niveau de l'orifice.

Veillez consulter le chapitre Dépannage pour les instructions de nettoyage du brûleur.



**⚠ AVERTISSEMENT**  
Un brûleur obstrué peut provoquer un incendie sous l'appareil.  
Le brûleur doit être retiré et nettoyé chaque fois que des blocages sont détectés.



**⚠** Assurez-vous que l'orifice de la buse de carburant de la rampe de gaz est correctement engagé dans l'ouverture du brûleur.

**⚠ DANGER**  
Les objets inflammables peuvent brûler s'ils sont placés à proximité de l'appareil.  
Gardez la zone de l'appareil dégagée et exempte de matériaux combustibles, de bombes aérosols, d'essence et d'autres vapeurs et liquides inflammables.

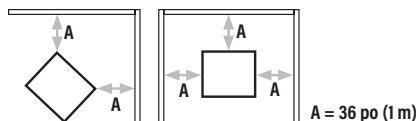
**LA TEMPÉRATURE AMBIANTE MINIMALE DE FONCTIONNEMENT EST DE 0 °F (-18 °C).**

## AMÉNAGEMENT DE VOTRE ESPACE EXTÉRIEUR CET APPAREIL NE DOIT ÊTRE UTILISÉ QU'À L'EXTÉRIEUR.

- N'UTILISEZ PAS cet appareil à l'intérieur de bâtiments, de garages ou de tout autre espace clos.
- N'INSTALLEZ PAS cet appareil dans ou sur un bateau.
- N'INSTALLEZ PAS cet appareil dans ou sur un véhicule récréatif.

## MAINTENIR DES DÉGAGEMENTS APPROPRIÉS PAR RAPPORT AUX MATÉRIEAUX COMBUSTIBLES :

- N'UTILISEZ PAS cet appareil sur ou sous un balcon ou une terrasse d'appartement ou de copropriété.
- NE PAS obstruer le flux d'air de combustion et de ventilation.
- NE FAITES pas fonctionner cet appareil à moins de 36 po (1 m) des côtés et de l'arrière de l'appareil à une construction combustible.



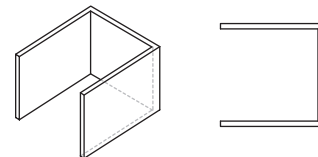
- N'UTILISEZ PAS cet appareil sous une construction combustible suspendue.

## ESPACES EXTÉRIEURS ABRITÉS:

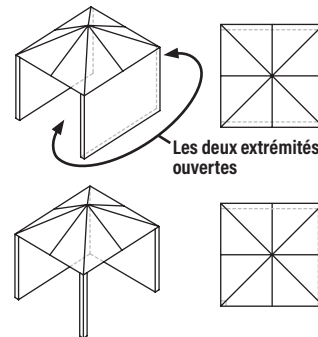
Toutes les ouvertures doivent être ouvertes en permanence ; les portes coulissantes, les portes de garage, les fenêtres ou les ouvertures grillagées ne sont pas considérées comme des ouvertures permanentes.

Un appareil est considéré comme étant à l'extérieur s'il est installé avec un abri ne dépassant pas:

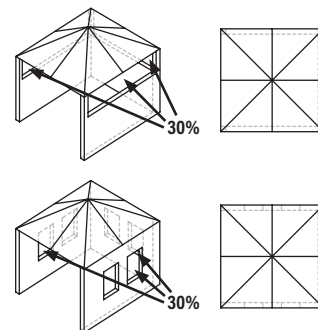
- a. Avec des murs sur trois côtés, mais sans couverture aérienne.



- b. À l'intérieur d'une enceinte partielle qui comprend un toit supérieur et pas plus de deux parois latérales. Les parois latérales peuvent être parallèles, comme dans un passage couvert, ou à angle droit l'une par rapport à l'autre.



- c. À l'intérieur d'une enceinte partielle qui comprend un couvercle supérieur et trois parois latérales, tant que 30% ou plus de la périphérie horizontale de l'enceinte est ouverte en permanence.



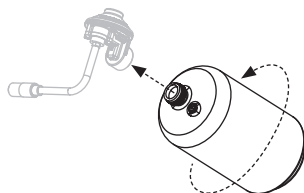




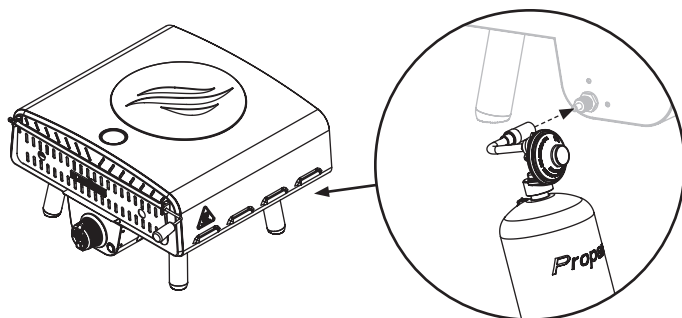
## CONNECTEZ LA BOUTEILLE DE GPL UTILISEZ UNIQUEMENT UNE BOUTEILLE DE 1 LB (453 G)

**ÉTAPE 01** Vissez la bouteille de GPL dans le régulateur de gaz en tournant la bouteille dans le sens des aiguilles d'une montre.

Le régulateur peut émettre un bourdonnement ou un sifflement pendant le fonctionnement. Cela n'affectera pas la sécurité ou l'utilisation de l'appareil.



**ÉTAPE 02** Insérez le régulateur et la bouteille de GPL dans la conduite de gaz de l'appareil. Tournez le collier du régulateur dans le sens des aiguilles d'une montre pour le fixer à la conduite de gaz.

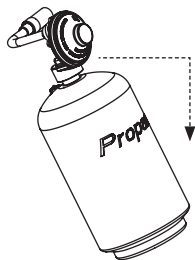


### SÉCURITÉ DES BOUTEILLES DE GPL

- La bouteille d'alimentation en GPL à utiliser doit être construite et marquée conformément aux spécifications pour les bouteilles de GPL, U.S. Department of Transportation (DOT) ou à la norme pour les bouteilles, les sphères et les tubes pour le transport des marchandises dangereuses, CAN/CSA-B339.
- Seules les bouteilles de GPL marquées « propane » doivent être utilisées.
- La bouteille utilisée, si elle dépasse 2,2 lb (1,00 kg) de capacité de propane, doit inclure un collier pour protéger le robinet de la bouteille.
- Le système d'alimentation des bouteilles de GPL doit être conçu pour le prélèvement de vapeur.

Gardez toujours les nouvelles bouteilles de GPL en position verticale pendant l'utilisation, le transport ou le stockage.

Assurez-vous que la bouteille de GPL est positionnée sous le régulateur. (Si le niveau liquide du propane est au-dessus du régulateur, le régulateur givrera.)



### SI LE GIVRAGE PERSISTE APRÈS QUE LA BOUTEILLE A ÉTÉ CORRECTEMENT INCLINÉE:

**ÉTAPE 01** Éteignez l'appareil et débranchez immédiatement la bouteille de GPL. Cela indique un problème avec la bouteille de GPL et elle ne doit être utilisée sur aucun produit.

**ÉTAPE 02** Renvoyez la bouteille de GPL au fournisseur.

### SÉCURITÉ DU DÉTENDEUR

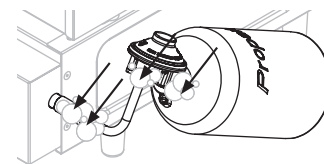
- Utilisez cet appareil, tel qu'il a été acheté, uniquement avec le gaz et l'ensemble régulateur/valve fournis. N'UTILISEZ PAS de raccords à connexion rapide ou d'autres accessoires.
- NE PAS fausser le filetage (forcer à un angle inapproprié) la connexion entre votre bouteille de GPL et le régulateur.
- Si vous ne pouvez pas connecter le régulateur, N'UTILISEZ PAS le régulateur. Le régulateur doit être remplacé par un modèle approuvé par Blackstone par un revendeur professionnel agréé.

### INSTRUCTIONS DE TEST DE FUITE

**ÉTAPE 01** Tournez les boutons de commande sur OFF.

**ÉTAPE 02** Connectez la bouteille de GPL au régulateur. Connectez le régulateur à l'appareil.

**ÉTAPE 03** Utilisez un pinceau propre pour appliquer une solution d'eau et de savon doux 10% sur les joints des vannes et du régulateur. Les fuites sont indiquées par des bulles en croissance.



**ÉTAPE 04** Si des bulles en croissance apparaissent, resserrez les connexions.

#### ⚠ AVERTISSEMENT

Si les fuites ne peuvent pas être arrêtées, N'ESSAYEZ PAS de les réparer. Le régulateur doit être remplacé par un modèle approuvé par Blackstone par un revendeur professionnel agréé.

### DÉCONNEXION DE LA BOUTEILLE DE GPL 1 LIVRE (453 G)

**ÉTAPE 01** Assurez-vous que le(s) bouton(s) de commande sont sur OFF.

**ÉTAPE 02** Une fois l'appareil refroidi, déconnectez le régulateur de la conduite de gaz en dévissant le collier.

**ÉTAPE 03** Dévissez la bouteille de GPL du régulateur.

**ÉTAPE 04** Placez le capuchon anti-poussière sur la sortie du robinet de la bouteille de GPL chaque fois que la bouteille n'est pas utilisée. N'installez que le type de capuchon anti-poussière sur la sortie du robinet de bouteille qui est fourni avec le robinet de bouteille. D'autres types de bouchons ou de bouchons peuvent entraîner des fuites de propane.

### STOCKAGE DES BOUTEILLES DE GPL

#### ⚠ AVERTISSEMENT

- Ne stockez pas de bouteille de GPL de rechange sous ou à proximité de cet appareil.
- Ne remplissez pas une bouteille de GPL à plus de 80%. Si les informations ci-dessus ne sont pas suivies à la lettre, un incendie causant la mort ou des blessures graves peut se produire.

- La bouteille de GPL doit être déconnectée lorsque l'appareil n'est pas utilisé.
- Ne rangez l'appareil à l'intérieur que si la bouteille de GPL est débranchée et retirée de l'appareil.

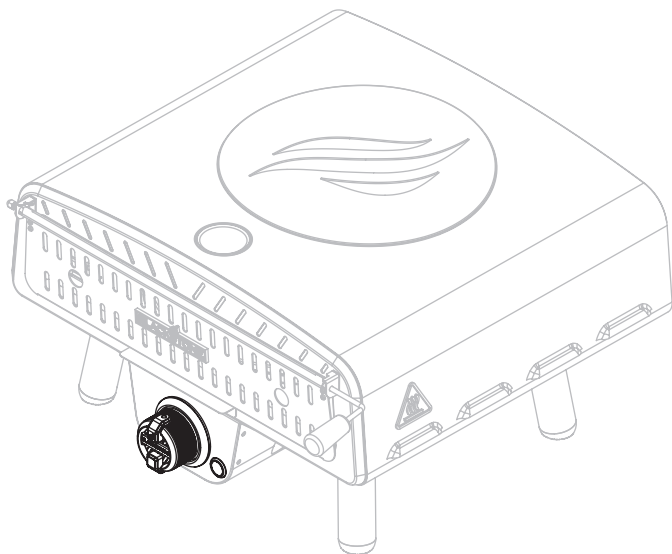
# INSTRUCTIONS D'ALLUMAGE

## 1. CLAPETS ANTI-RETOUR

**ÉTAPE 01** Tourner le bouton en position OFF.

**ÉTAPE 02** Appuyez sur le bouton et relâchez. Le bouton devrait revenir en arrière.  
Si les boutons ne reviennent pas, remplacez l'assemblage de la valve avant d'utiliser l'appareil.

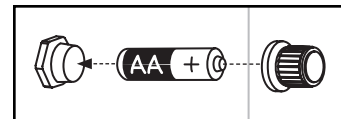
**ÉTAPE 03** Tournez le bouton sur LOW puis remettez-le sur OFF. Le bouton doit tourner en douceur.



## 2. ALLUMAGE À DÉMARRAGE SÛR PAR THERMOCOUPLE

⚠ Gardez la porte du four fermée autant que possible pour atteindre et maintenir la température.

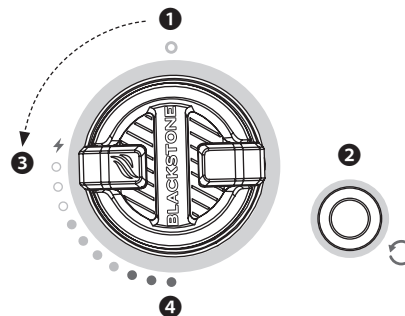
**ÉTAPE 01** Assurez-vous qu'il y a une (1) pile AA (non incluse) sous le couvercle de la pile.



### ÉTAPE 02

- 1 Tournez le bouton de commande du four à pizza sur OFF.
- 2 Allumez le moteur.
- 3 Appuyez sur le bouton de commande et tournez-le d'un quart de tour dans le sens antihoraire jusqu'à LOW. Maintenez pendant 10 à 20 secondes jusqu'à ce que le thermocouple chauffe. Vous devriez entendre l'allumeur cliquer tout le temps. (Lorsque vous relâchez le bouton, le four doit rester allumé.)

**ÉTAPE 03** Une fois la flamme homogène, ajustez à la température souhaitée 4.



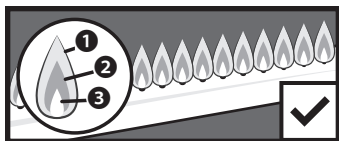
Avant la première utilisation, faites fonctionner le four pendant 15 à 20 minutes à HIGH pour brûler les restes de fabrication.

## 3. VÉRIFIEZ TOUJOURS LA FLAMME DU BRÛLEUR AVANT UTILISATION.

**ÉTAPE 01** Allumez les brûleurs et tournez les boutons de HAUT à BAS.

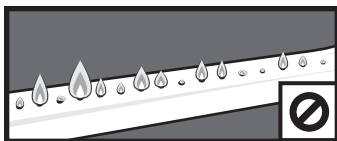
**ÉTAPE 02** Regardez sous la surface de cuisson pour voir les brûleurs. Lorsque le bouton est sur HIGH, les flammes doivent être plus grandes que lorsque le bouton est sur LOW.

### MODÈLE DE FLAMME SAIN



- 1 Scintillements de couleur jaune.  
2 Couleur bleu foncé. 3 Bleu vif.

### JAUNE OU IRRÉGULIER



En cas de chute soudaine ou de problème de flamme faible, veuillez vous référer au chapitre Dépannage.

## SI L'ALLUMAGE NE SE PRODUIT PAS DANS LES 5 SECONDES :

**ÉTAPE 01** Éteignez le bouton de commande du brûleur.

**ÉTAPE 02** Attends 5 minutes.

**ÉTAPE 03** Répétez la procédure d'éclairage.

Si le brûleur ne s'allume pas, veuillez vous référer au chapitre Dépannage.



## CUISINER SUR VOTRE BLACKSTONE

### ⚠ ATTENTION

Cet appareil sera chaud pendant et après utilisation. Utilisez des ustensiles à long manche et des gants de cuisine/ gants de protection lors de la manipulation de pièces potentiellement chaudes pour vous protéger contre les brûlures et les éclaboussures.

### ⚠ ATTENTION

Si l'appareil est équipé d'un porte-essuie-tout, le bras doit être en position ouverte pendant l'utilisation de l'appareil.

### AVIS

Ne rangez aucun article à moins de 3 po (8 cm) de la surface de cuisson pendant son utilisation.

### SI DE LA GRAISSE OU UN AUTRE MATÉRIAU CHAUD S'ÉGOUTTE SUR LA VANNE, LE TUYAU OU LE RÉGULATEUR:

**ÉTAPE 01** Coupez immédiatement l'alimentation en gaz.

**ÉTAPE 02** Déterminez la cause et corrigez-la.

**ÉTAPE 03** Nettoyez et inspectez la vanne, le tuyau et le régulateur.

**ÉTAPE 04** Effectuez un test de fuite. (Veuillez vous référer aux instructions de test de fuite)

### RECETTES VIDÉO

Trouvez des recettes et des conseils de cuisine sur:

[BlackstoneProducts.com/recipes](https://blackstoneproducts.com/recipes)

[youtube.com/BlackstoneGriddles](https://youtube.com/BlackstoneGriddles)

@blackstoneproducts



#### MARGUERITE CLASSIQUE

- Sauce tomate
- Fromage parmesan râpé
- Feuilles de basilic
- Mozzarella fraîche
- Léger filet d'huile d'olive

#### POULET BBQ

- Votre sauce barbecue préférée
- Poulet cuit haché
- Oignon rouge finement tranché
- Fromage mozzarella râpé



#### PIMENT DOUX THAÏ

- Sauce chili thaï douce
- Poulet cuit haché
- Oignon rouge finement tranché
- Coriandre fraîche hachée
- Fromage mozzarella râpé

### PÂTE À PIZZA À LA NEW YORKAISE

1h30.

#### INGRÉDIENTS

- 4 tasses de farine à pain
- 1 et ½ tasse d'eau tiède
- 1 cuillère à café de levure sèche instantanée
- 3 cuillères à café de miel
- 2 cuillères à café de sel
- 4 cuillères à café d'huile d'olive



**ÉTAPE 01** Ajouter l'eau, la farine, la levure, le miel et le sel dans un grand bol. (N'ajoutez pas encore l'huile. Vous voulez que la farine s'hydrate avant d'ajouter de l'huile.)

**ÉTAPE 02** Mélanger la pâte jusqu'à ce que la majeure partie de la farine soit incorporée.

**ÉTAPE 03** Ajoutez l'huile et pétrissez votre pâte pendant 5 à 10 minutes.

**ÉTAPE 04** Couvrir la pâte et laisser reposer 10-15 minutes.

**ÉTAPE 05** Diviser la pâte en 3 morceaux et arrondir en boules. Essayez les boules de pâte avec de l'huile ou un aérosol de cuisson.

**ÉTAPE 06** Couvrir les boules de pâte et laisser lever environ une heure.

#### COMMENT ÉTIRER LA PÂTE À PIZZA

**Important:** Avoir votre pâte à température ambiante facilitera son étirement. La pâte froide est très difficile à travailler.

**ÉTAPE 01** Farinez généreusement votre surface de préparation pour éviter que la pâte ne colle.

**ÉTAPE 02** Aplatis la pâte avec la paume de la main, en partant du centre vers l'extérieur. L'utilisation d'un rouleau à pâtisserie est bien mais ne vous donnera pas une croûte gonflée.

**ÉTAPE 03** Ramassez la pâte et posez-la sur le dos de vos mains. Faites tourner la pâte d'une main à l'autre en laissant la gravité faire la majeure partie du travail en l'étirant.

**Remarque:** Utilisez une petite quantité de farine, de semoule ou de semoule de maïs sur votre pelle à pizza pour éviter qu'elle ne colle.

## COMMENT UTILISER VOTRE FOUR À PIZZA

### PIZZA FRAÎCHE

**ÉTAPE 01** Préchauffez votre four à puissance élevée pendant environ 20 à 25 minutes.

**ÉTAPE 02** Une fois que la température de pierre souhaitée est atteinte (650°-750°F (340°- 400°C) pour une pizza à pâte fraîche), tournez le bouton de commande sur bas. En fonction de ce que vous cuisinez, vous pouvez ajuster la température pendant la cuisson pour obtenir les résultats souhaités.

**Remarque:** le thermomètre mesure uniquement la température de l'air dans le four, PAS la température de la pierre. Utilisez un thermomètre infrarouge (non inclus) pour mesurer la température de la pierre inférieure. **Une température appropriée de la pierre est essentielle pour des résultats cohérents.**

**ÉTAPE 03** Le temps de cuisson de la pizza est d'environ 2 à 4 minutes selon la taille et l'épaisseur de la pizza.

- Les aliments plus fins doivent être cuits à une température plus élevée pendant une durée plus courte.
- Les aliments plus épais ou plus denses doivent être cuits à une température plus basse pendant plus longtemps.

**ÉTAPE 04** Retirez la pizza lorsque la croûte a atteint la préparation souhaitée ou lorsque les bords de la croûte à pizza sont dorés.

#### POUR LES MEILLEURS RÉSULTATS:

- Attendez de mettre une nouvelle pizza jusqu'à ce que la température de la pierre inférieure revienne à la température souhaitée.
- Réglez la température sur ÉLEVÉE entre les cuissons et FAIBLE pendant les cuissons.
- Gardez la porte fermée autant que possible pour retenir la chaleur.
- Expérimentez au préalable avec des morceaux de pâte pour déterminer la température de pierre optimale pour votre pizza.

#### PIZZAS SURGELÉES, BISCUITS, ETC.

Suivez les instructions du fabricant de produits alimentaires. Laissez les aliments surgelés décongeler un peu avant de les mettre dans le four chaud. Cela empêchera votre pierre à pizza de se fissurer.

## NETTOYER SA PIERRE À PIZZA

**ÉTAPE 01** Réglez votre four sur ÉLEVÉ pendant 15 à 20 minutes pour brûler les résidus.

**ÉTAPE 02** Une fois que votre four a complètement refroidi, retournez la pierre et utilisez le côté plus propre.

#### AVIS

N'UTILISEZ PAS de savon sur la pierre de cuisson. Cela laissera un goût de savon dans les aliments.

## ENTRETIEN ET MAINTENANCE

#### ⚠ AVERTISSEMENT

L'accumulation de graisse peut provoquer un incendie. Nettoyez toute partie de l'appareil qui devient chaude et qui subit une accumulation de graisse après chaque utilisation.

#### ⚠ ATTENTION

Tout le nettoyage et l'entretien doivent être effectués lorsque l'appareil est froid et que tout est éteint.

- N'UTILISEZ PAS de tampon abrasif sur les zones comportant des graphiques.
- Si une brosse à poils est utilisée pour nettoyer l'une des surfaces de cuisson, assurez-vous qu'aucun poil lâche ne reste sur les surfaces de cuisson avant la cuisson.

#### CORPS DE L'APPAREIL:

Laver à l'eau tiède savonneuse et essuyer immédiatement avec un chiffon non abrasif. (Ne laissez pas les agents de nettoyage reposer sur une surface poreuse pendant une période prolongée.)

#### AVIS

N'UTILISEZ PAS de Citrisol, de nettoyants abrasifs ou de nettoyant concentré sur l'appareil. Cela peut entraîner des dommages et une défaillance des pièces.

## STOCKAGE D'APPAREILS

#### ⚠ AVERTISSEMENT

Ne déplacez pas l'appareil pendant son utilisation. Laissez l'appareil refroidir à 115°F (45°C) avant de le déplacer ou de le ranger.

Le stockage d'un appareil à l'intérieur n'est autorisé que si l'alimentation en gaz est coupée et retirée de l'appareil.

#### GUIDE D'AJUSTEMENT DE COUVERTURE

Couvrez toujours votre appareil lorsqu'il est rangé à l'extérieur.



Pour trouver une housse adaptée à votre appareil, visitez [BlackstoneProducts.com/support](https://BlackstoneProducts.com/support).



# DÉPANNAGE

## DÉPANNAGE D'ALLUMAGE

### LE BRÛLEUR NE S'ALLUME PAS:

Si l'allumage ne se produit pas dans les 5 secondes:

**ÉTAPE 01** Éteignez le bouton de commande du brûleur.

**ÉTAPE 02** Attendez 5 minutes.

**ÉTAPE 03** Répétez la procédure d'allumage.

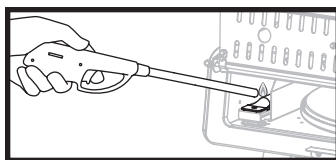
Si cela ne fonctionne pas, pour en déterminer la cause, essayez d'allumer votre appareil avec une allumette.

### INSTRUCTIONS D'ALLUMAGE DES ALLUMETTES

Avant de commencer, vérifiez les fuites de gaz. Ouvrez le capot (le cas échéant).

**ÉTAPE 01** Tourner le bouton de commande en position OFF.

**ÉTAPE 02** Allumez une allumette (ou un long briquet) d'au moins 11 pouces de long.

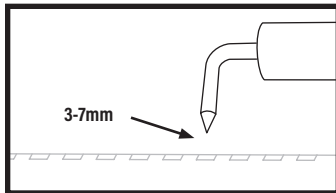


**ÉTAPE 03** Placez la flamme sur le côté droit ou gauche du brûleur.

**ÉTAPE 04** Poussez et tournez le bouton de commande pour faire couler le gaz. Assurez-vous que le brûleur s'allume et reste allumé.

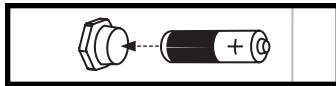
### SI VOUS POUVEZ ALLUMER VOTRE APPAREIL AVEC UNE ALLUMETTE:

CAUSES POSSIBLES	LA SOLUTION
Fil d'allumage mal aligné.	Assurez-vous que l'aiguille de l'allumeur est positionnée à 3-7 mm du brûleur et alignée avec les trous du brûleur.



Dommages au système d'allumage.	Contactez le service client pour les pièces de rechange.
---------------------------------	--

Batterie morte / mal installée.	Remplacez par une nouvelle batterie.
---------------------------------	--------------------------------------



### SI VOUS NE PARVEZ PAS À ALLUMER VOTRE APPAREIL AVEC UNE ALLUMETTE:

CAUSES POSSIBLES	LA SOLUTION
Les tubes de brûleur ne reçoivent pas de combustible.	Nettoyez l'ensemble du brûleur pour éliminer l'obstruction.

## DÉPANNAGE DU DÉBIT DE GAZ

### LES FLAMMES DU BRÛLEUR SONT JAUNES OU IRRÉGULIÈRES:

- L'appareil n'atteint pas une chaleur élevée ou chauffe de manière inégale.
- Les flammes du brûleur commencent à être fortes, puis chutent immédiatement au niveau bas même lorsque le brûleur est réglé en position haute.
- La hauteur de la flamme diminue lorsqu'un deuxième brûleur est allumé.
- Les flammes ne s'étendent pas sur toute la longueur du brûleur ou ne circulent que d'un côté du brûleur.
- Les flammes du brûleur sont irrégulières.

CAUSES POSSIBLES	LA SOLUTION
------------------	-------------

Obstructions dans le brûleur, les jets de gaz ou la rampe de carburant.	Nettoyez le brûleur, les jets et le tuyau de gaz.
---	---

La bouteille de gaz est vide ou presque vide.	Remplissez ou remplacez la bouteille de gaz.
---	--

Le limiteur de débit du régulateur s'est déclenché.	Réinitialisez le système de sécurité:
---	---------------------------------------

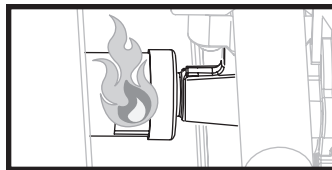
**ÉTAPE 01** Éteignez l'appareil, fermez le robinet de la bouteille de GPL et déconnectez le régulateur de la bouteille de GPL.

**ÉTAPE 02** Attendez cinq minutes pour permettre à la pression de se dissiper, puis reconnectez le régulateur à la bouteille de GPL et ouvrez lentement le volant OPD d'un demi-tour.

**ÉTAPE 03** Allumez votre appareil.

Détendeur bloqué en position de sécurité.	Contact customer service for replacement parts.
---	---

### UNE FLAMME SORT DE LA GRILLE D'AÉRATION:



CAUSES POSSIBLES	LA SOLUTION
------------------	-------------

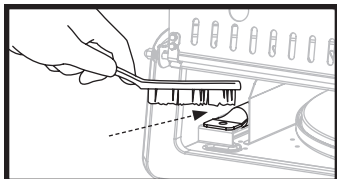
Quelque chose bloque le venturi dans le tube du brûleur.	Nettoyez l'ensemble du brûleur pour éliminer l'obstruction.
--	---

## NETTOYAGE DE L'ENSEMBLE BRÛLEUR

### ⚠ ATTENTION

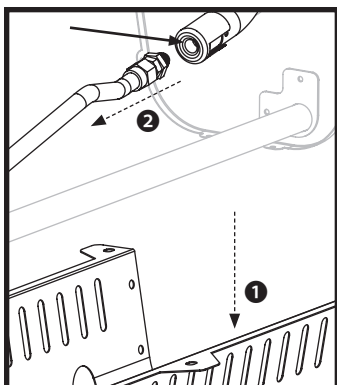
Tout le nettoyage et l'entretien doivent être effectués lorsque l'appareil est froid et avec l'alimentation en combustible coupée au niveau de la bouteille de gaz.

**ÉTAPE 01** Passez une brosse en nylon sur la surface extérieure du brûleur pour enlever la saleté.



### ÉTAPE 02

- ① Retirez le couvercle du panneau de base de la base de l'appareil.
- ② Débranchez la buse à orifice et la conduite de gaz du tube du brûleur.



**ÉTAPE 03** Utilisez de l'air comprimé pour nettoyer les tubes du brûleur.

**Remarque:** Une fois réinstallée, la conduite de gaz doit être testée pour s'assurer qu'il n'y a pas de trous dans la conduite.

## SERVICE CLIENTS

Visitez-nous en ligne sur [BlackstoneProducts.com/support](https://BlackstoneProducts.com/support) pour obtenir de l'aide concernant l'utilisation de l'appareil, les pièces de rechange ou votre garantie.

### HEURES D'OUVERTURE DU SERVICE CLIENT:



Lundi vendredi  
7h00 - 17h00 (heure des montagnes)

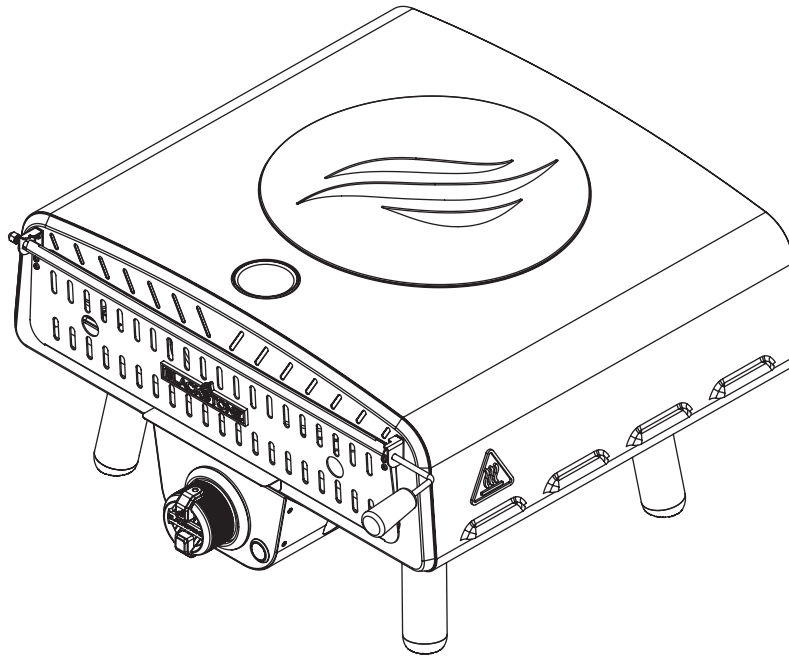


Cette page a été intentionnellement laissée vierge



Ce produit peut être couvert par un ou plusieurs brevets américains et/ou internationaux délivrés et peut inclure des demandes de brevet en instance. Pour plus d'informations, rendez-vous sur: [BlackstoneProducts.com/patents](https://BlackstoneProducts.com/patents)





MANUAL DEL PROPIETARIO

# HORNO DE PIZZA LEGGERO

## TABLA DE CONTENIDO

INFORMACION DE SEGURIDAD IMPORTANTE .....	02
GARANTÍA .....	03
GUÍA DE MONTAJE.....	04
USANDO SU BLACKSTONE.....	08
SOLUCIÓN DE PROBLEMAS.....	13



Para obtener la última versión de este manual, escanee este código o visite [BlackstoneProducts.com/support](https://BlackstoneProducts.com/support)

### IMPORTANTE:

Este manual de instrucciones contiene información importante necesaria para el correcto montaje y uso seguro del aparato.

Lea y siga todas las advertencias e instrucciones antes de ensamblar y usar el aparato.

Siga todas las advertencias e instrucciones cuando utilice el aparato.

Guarde este manual para referencia futura.

Instalador/Ensamblador: Deje estas instrucciones con el consumidor.

### CLAVE DE ALERTA DE SEGURIDAD

#### ⚠ PELIGRO

Indica una situación peligrosa que, si NO SE evita, provocará la muerte o lesiones graves.

#### ⚠ ATENCIÓN

Indica una situación peligrosa que, si NO SE evita, podría provocar lesiones leves o moderadas.

#### ⚠ ADVERTENCIA

Indica una situación peligrosa que, si NO SE evita, podría provocar la muerte o lesiones graves.

#### AVISO

Indica información que se considera importante, pero no relacionada con peligros (por ejemplo, mensajes relacionados con daños a la propiedad).

# INFORMACION DE SEGURIDAD IMPORTANTE

ESPAÑOL

## ⚠ PELIGRO

Si huele a gas:

- Cierre el suministro de gas al aparato.
- Apague cualquier llama abierta.
- Abra el capó (si corresponde).
- Si el olor continúa, manténgase alejado del aparato y llame inmediatamente a su proveedor de gas o al departamento de bomberos.

El incumplimiento de estas instrucciones podría provocar incendios o daños a la propiedad, lesiones personales o la muerte.

## ⚠ PELIGRO

- **NUNCA** opere este aparato sin supervisión.
  - Si ocurriera un incendio, manténgase alejado del aparato y llame inmediatamente a los bomberos. **NO INTENTE** extinguir un incendio de aceite o grasa con agua.
- El incumplimiento de estas instrucciones podría provocar incendios o daños a la propiedad, lesiones personales o la muerte.

## SEGURIDAD DE LOS ELECTRODOMÉSTICOS

### PARA PROTEGERSE CONTRA DESCARGAS ELÉCTRICAS:

- No sumerja el cable ni los enchufes en agua u otro líquido.
- Desenchúfelo del tomacorriente cuando no esté en uso y antes de limpiarlo. Deje que se enfríe antes de poner o quitar piezas.
- **NO UTILICE** un aparato de gas para cocinar al aire libre para fines distintos a los previstos.
- **NO OPERE** este aparato con un cable o enchufe dañado, o después de que el aparato funcione mal o se haya dañado de alguna manera. Póngase en contacto con el fabricante para la reparación.
- No permita que el cable cuelgue del borde de una mesa ni toque superficies calientes.
- Mantenga cualquier cable de suministro eléctrico y la manguera de suministro de combustible lejos de las superficies calientes.
- Al conectar, primero conecte el enchufe al aparato y luego al tomacorriente.

### USE SOLO UN CIRCUITO PROTEGIDO POR INTERRUPTOR DE FALLA A TIERRA (GFI) CON ESTE APARATO.

- Este electrodoméstico, una vez instalado, debe conectarse a tierra de acuerdo con los códigos locales o, en ausencia de códigos locales, con el Código Eléctrico Canadiense NFPA 70, Parte I.
- **NO RETIRE** el enchufe de conexión a tierra ni lo use con un adaptador de 2 clavijas.
- Use solo cables de extensión con un enchufe de conexión a tierra de 3 clavijas, clasificado para la potencia del equipo y aprobado para uso en exteriores con una marca W-A.

## ⚠ ADVERTENCIA

- **No almacene ni use gasolina u otros líquidos o vapores inflamables cerca de este o cualquier otro aparato.**
- **Un cilindro de GLP que no esté conectado para su uso no debe almacenarse cerca de este ni de ningún otro aparato.**

## SEGURIDAD DE LOS APARATOS DE GAS

- El uso de alcohol, medicamentos recetados o de venta libre puede afectar la capacidad del consumidor para ensamblar correctamente u operar de manera segura el electrodoméstico.
- Mantenga a los niños y las mascotas alejados del aparato en todo momento.
- Tenga a mano un extintor de incendios tipo BC o ABC.

### NO LO USE PARA FINES DISTINTOS A LOS PREVISTOS.

- **NO LO USE** para cocinar comercialmente.
- **NO UTILICE** este aparato como calentador.

## ⚠ ADVERTENCIA

La instalación, el uso, el ajuste, la alteración, el servicio, la modificación o el mantenimiento inadecuados pueden causar lesiones o daños a la propiedad. Consulte este manual.

### LA INSTALACIÓN DEBE CUMPLIR CON LOS CÓDIGOS LOCALES.

En ausencia de códigos locales, la instalación debe cumplir con ANSI Z223.1/NFPA 54, CSA B149.1 o CSA B149.2.

### SOLO PARA USO EN EXTERIORES.

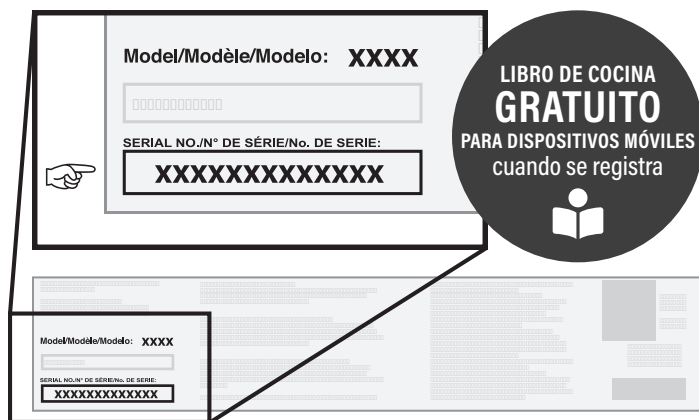


# GARANTÍA

La garantía de 1 año de North Atlantic Imports LLC cubre las piezas de repuesto hasta un año después de la fecha de compra.

**PARA HABILITAR ESTA GARANTÍA, DEBERÁ PROPORCIONAR:**

☞ Número de serie de su electrodoméstico



El número de serie se puede encontrar en la etiqueta del fabricante de su electrodoméstico.  
(La etiqueta del fabricante es una calcomanía plateada grande que se encuentra en el cuerpo de su electrodoméstico).



Registre su electrodoméstico en [BlackstoneProducts.com/register](https://BlackstoneProducts.com/register)

**DESCRIPCIÓN GENERAL DE LA GARANTÍA**

North Atlantic Imports, el fabricante, garantizará durante un año desde la compra todas las piezas, la mano de obra y los acabados. Será opción del fabricante reparar o reemplazar cualquiera de los elementos anteriores. Todas las garantías se limitan únicamente al comprador original. Esta garantía no cubre ninguna responsabilidad por parte de North Atlantic Imports, sus agentes o empleados, por daños indirectos o consecuentes por incumplimiento de la garantía. El comprador debe seguir las instrucciones de uso del fabricante. Bajo ninguna circunstancia, el fabricante es responsable de los daños causados por la falta de operación adecuada de la estación de cocción. Es responsabilidad del comprador establecer el período de garantía verificando la fecha de compra original con el recibo de compra original.

**EXPLICACIÓN DETALLADA DE LA GARANTÍA.**

North Atlantic Imports LLC garantiza al propietario que el producto cubierto por este acuerdo está libre de defectos de material y mano de obra en condiciones normales de uso y servicio para el que fue diseñado si, pero solo si, ha sido operado de acuerdo con North Atlantic Imports LLC instrucciones exclusivamente para uso doméstico, y no para club privado o público, instituciones o fines comerciales.

La obligación de North Atlantic Imports LLC en virtud de esta garantía se limita a reemplazar o reparar, sin cargo, cualquier pieza o piezas que puedan resultar, a satisfacción de North Atlantic Imports LLC, como defectuosas bajo el uso y servicio doméstico normal dentro de los siguientes períodos establecidos de tiempo a partir de la fecha de compra; durante un año a partir de la compra, todas las piezas, el acabado y la mano de obra. En caso de que se manifieste alguna falta de conformidad con esta garantía durante los períodos de garantía aplicables mencionados anteriormente, el comprador original debe notificar a North Atlantic Imports LLC sobre el incumplimiento de la garantía dentro del período de garantía aplicable.

North Atlantic Imports LLC, previa notificación y cumplimiento por parte del comprador original de dichas instrucciones, corregirá dicha falta de conformidad mediante la reparación o el reemplazo de la pieza o piezas defectuosas.

La corrección en la forma prevista anteriormente constituirá el cumplimiento de todas las obligaciones de North Atlantic Imports LLC con respecto a la calidad del producto.

North Atlantic Imports LLC no garantiza que este equipo cumpla con los requisitos de ningún código de seguridad de ningún estado, municipio u otra jurisdicción, y el comprador original asume todos los riesgos y responsabilidades que resulten del uso del mismo, ya sea que se use de acuerdo con North Atlantic Imports Instrucciones de LLC o de otra manera.

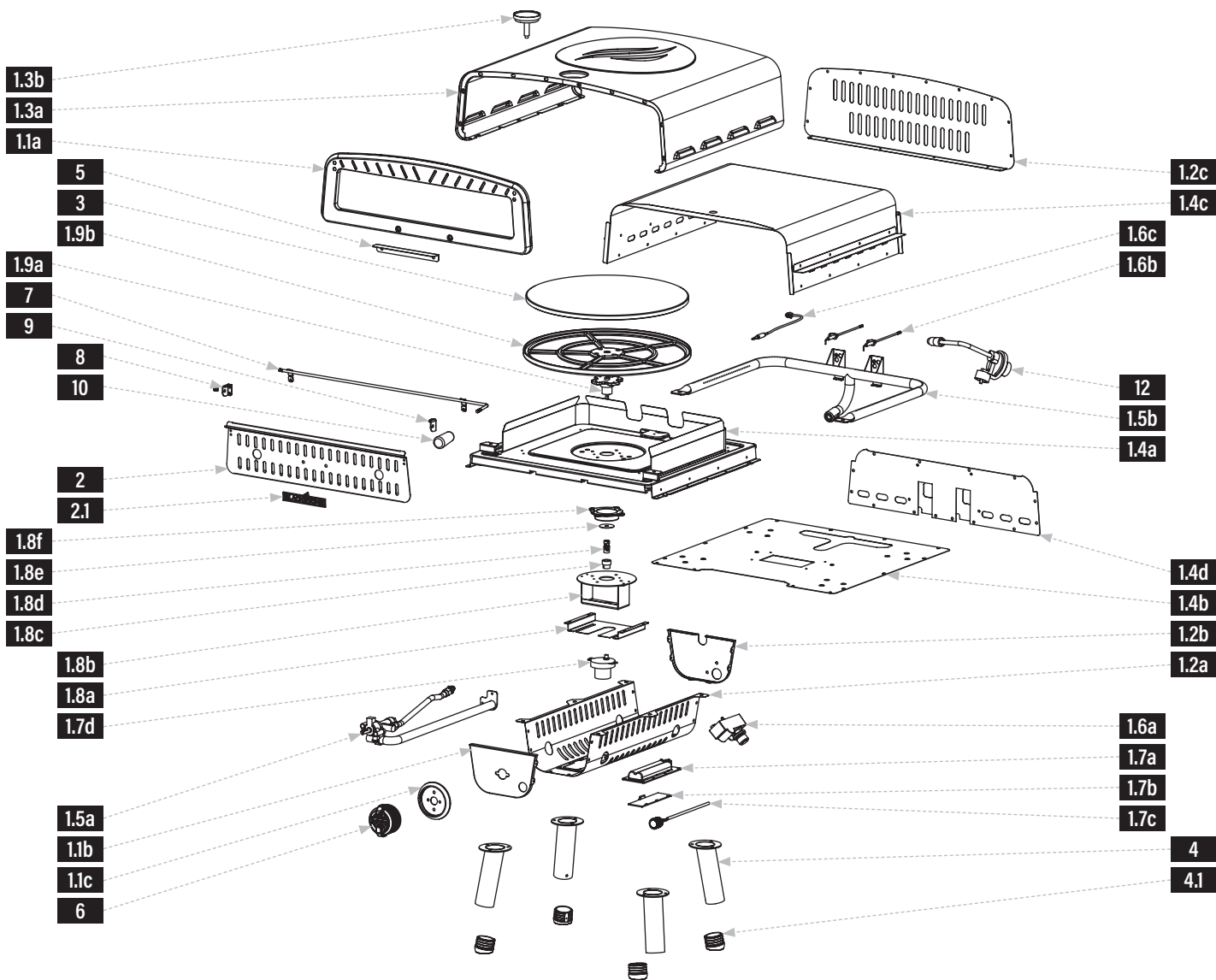
Esta garantía no cubre y pretende excluir cualquier responsabilidad por parte de North Atlantic, sus agentes, empleados o empleados, ya sea en virtud de esta garantía o implícitos por ley, por cualquier daño indirecto o consecuente por incumplimiento de cualquier garantía. El comprador debe establecer todos los períodos de garantía aplicables de conformidad con esta garantía al verificar la fecha de compra original al presentar el recibo de compra fechado. Esta garantía NO SE aplicará a este producto ni a ninguna otra parte del mismo que haya sido objeto de accidente, negligencia, alteración, abuso o mal uso, o que haya sido reparado o alterado sin el consentimiento por escrito de North Atlantic, fuera de la fábrica de North Atlantic Imports LLC. La garantía completa del fabricante no es válida para planchas compradas a revendedores externos sin licencia, compradas con descuento debido a piezas faltantes o dañadas, o compradas como modelo de piso; a discreción de North Atlantic Imports.

North Atlantic Imports LLC no ofrece garantía alguna con respecto a los accesorios o piezas que NO SE suministren con él. Esta garantía se aplicará únicamente dentro de los límites de los Estados Unidos de América y Canadá. Esta garantía otorga derechos específicos al comprador original, y el comprador original también puede tener otros derechos, que varían de un estado a otro.




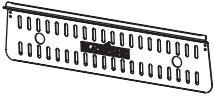
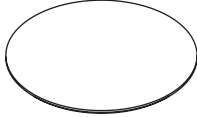
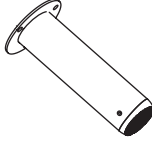


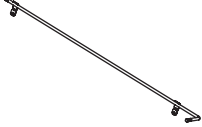
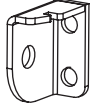
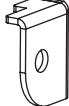
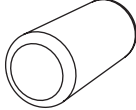
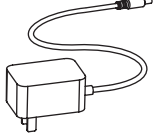
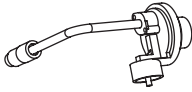
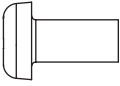
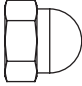
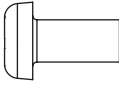

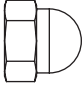
# GUÍA DE MONTAJE

## VISTA EN DESPIECE ORDENADO



### LISTA DE PARTES

PIEZAS	CTD	PIEZAS	CTD	PIEZAS	CTD	PIEZAS	CTD
<b>1.1a</b> Panel frontal superior	1	<b>1.4a</b> Placa inferior	1	<b>1.6c</b> Pareja termoeléctrica	1	<b>1.8c</b> Bloque de conexión del eje	1
<b>1.1b</b> Panel frontal inferior	1	<b>1.4b</b> Placa de sellado	1	<b>1.7a</b> Caja de batería	1	<b>1.8d</b> Acoplamiento	1
<b>1.1c</b> Bisel de la perilla de control	1	<b>1.4c</b> Tapa interior	1	<b>1.7b</b> Tapa de la caja de la batería	1	<b>1.8e</b> Placa de tope	1
<b>1.2a</b> Cubierta del panel base	1	<b>1.4d</b> Placa trasera cubierta interior	1	<b>1.7c</b> Botón motor	1	<b>1.8f</b> Manguito de cojinete del eje	1
<b>1.2b</b> Panel trasero inferior	1	<b>1.5a</b> Línea de gas	1	<b>1.7d</b> Motor	1	<b>1.9a</b> Soporte para tocadiscos	1
<b>1.2c</b> Panel trasero superior	1	<b>1.5b</b> Quemador	1	<b>1.8a</b> Escudo térmico del motor	1	<b>1.9b</b> Placa giratoria	1
<b>1.3a</b> Tapa del horno	1	<b>1.6a</b> Encendedor	1	<b>1.8b</b> Soporte motor	1	<b>2.1</b> Placa de nombre	1
<b>1.3b</b> Termómetro	1	<b>1.6b</b> Agujas de encendido	2			<b>4.1</b> Base del pie	4

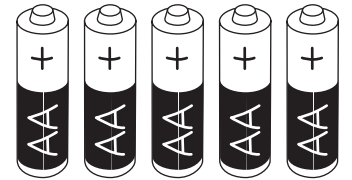
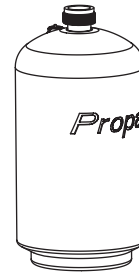
<p><b>1</b> Cuerpo del horno (1 pieza)</p> 	<p><b>2</b> Puerta del horno (1 pieza)</p> 	<p><b>3</b> Piedra para pizza (1 pieza)</p> 	<p><b>4</b> Piernas (4 piezas)</p> 	<p><b>5</b> Panel deflector (1 pieza)</p> 	<p><b>6</b> Perilla de control (1 pieza)</p> 
<p><b>7</b> Eje de la puerta (1 pieza)</p> 	<p><b>8</b> Asiento del eje de la puerta (L) (1 pieza)</p> 	<p><b>9</b> Asiento del eje de la puerta (R) (1 pieza)</p> 	<p><b>10</b> Tirador de puerta (1 pieza)</p> 	<p><b>11</b> Cable de alimentación (1 pieza)</p> 	<p><b>12</b> Regulador (1 pieza)</p> 
<p><b>a.</b> Tornillos M3x6 (4 piezas)</p> 	<p><b>b.</b> Tuercas de tapa M3 (4 piezas)</p> 	<p><b>c.</b> Pernos M4x16 (18 piezas)</p> 	<p><b>d.</b> Resorte (1 pieza)</p> 	<p><b>e.</b> Tuerca de tapa M5 (1 pieza)</p> 	

ESPAÑOL

## INSTRUCCIONES DE MONTAJE

Encuentre un área grande y limpia para ensamblar su electrodoméstico. Retire todo el material de embalaje antes de ensamblar.

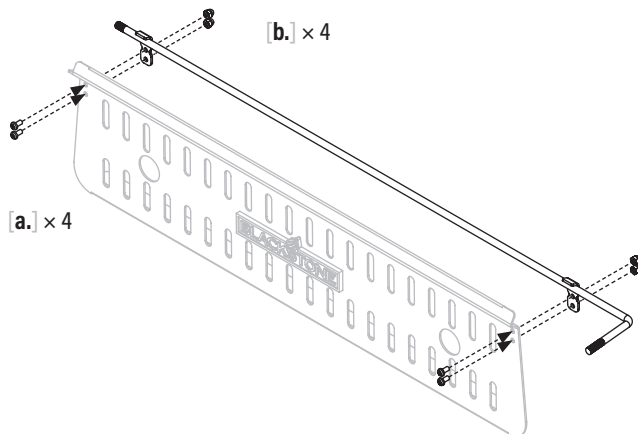
**⚠ ATENCIÓN**  
Bordes afilados. Use guantes durante el montaje.



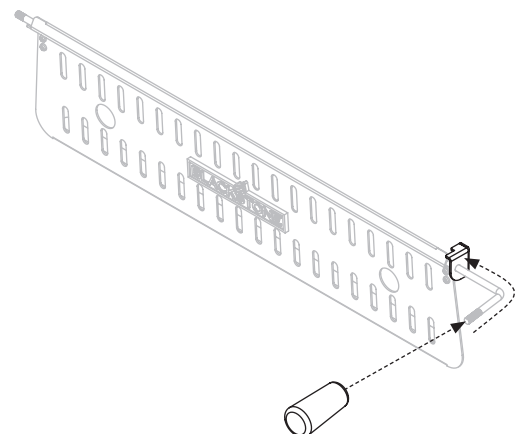
**NO INCLUIDO:**  
Cilindro de GLP  
Tamaño: 3,8 x 7,8 pulgadas, 1 libra (453 g)

**NO INCLUIDO:**  
Una (1) batería AA (para encendido)  
Cuatro (4) pilas AA opcionales (para el motor)

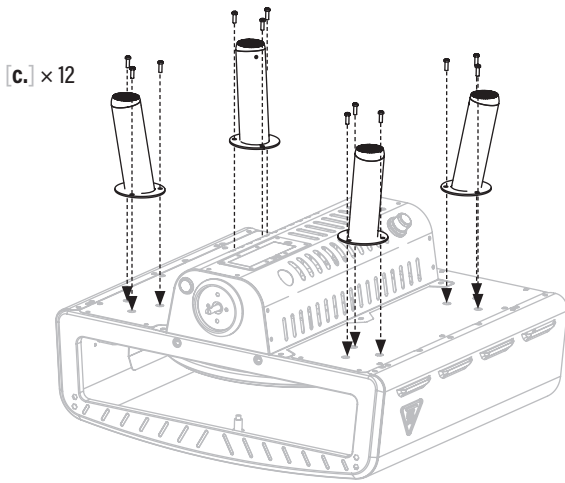
**PASO 01** Use cuatro (4) pernos M3x6 **[a.]** y cuatro (4) tuercas de tapa M3 **[b.]** para sujetar el eje de la puerta a la puerta del horno.



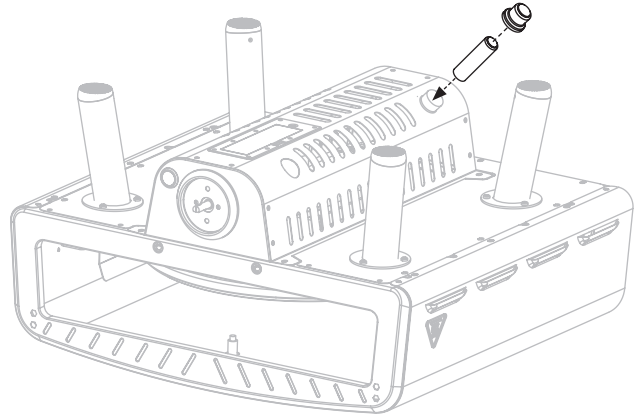
**PASO 02** Deslice el asiento del eje de la puerta (R) sobre el eje de la puerta. Atornille la manija de la puerta en el eje de la puerta.



**PASO 03** Coloque el horno de pizza sobre su parte posterior. Utilice doce (12) pernos M4x16 [c.] para sujetar las cuatro (4) patas a la parte inferior del horno de pizza.

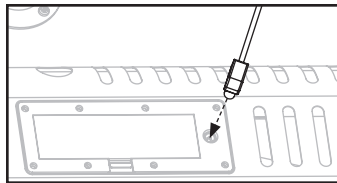


**PASO 04** Inserte una (1) batería AA (no incluida) debajo de la tapa de la batería. Atornille la tapa en su lugar sobre el terminal positivo.

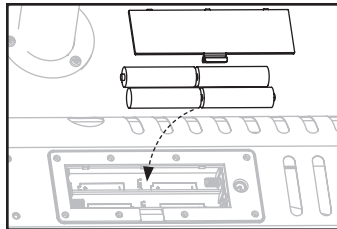


**PASO 05** Para alimentar el motor:

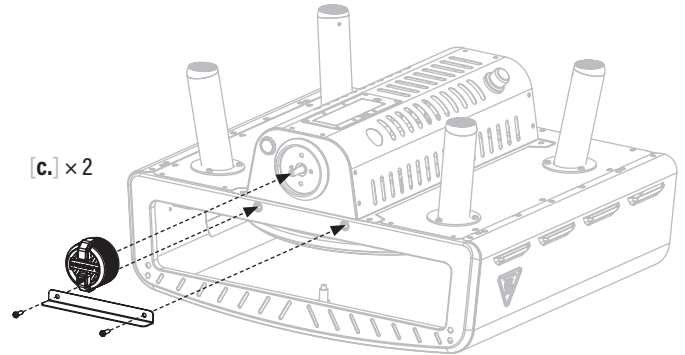
**OPCIÓN A:** conecte el cable de alimentación al motor.



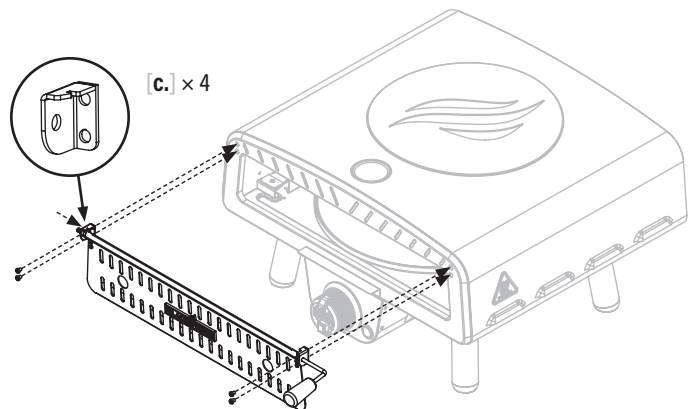
**OPCIÓN B:** Inserte cuatro (4) baterías AA en el motor. (NO UTILICE las baterías y la fuente de alimentación de CA al mismo tiempo).



**PASO 06** Utilice dos (2) pernos M4x16 [c.] para fijar el panel deflector al panel frontal. Instale la perilla de control empujándola en su lugar en la posición APAGADO.

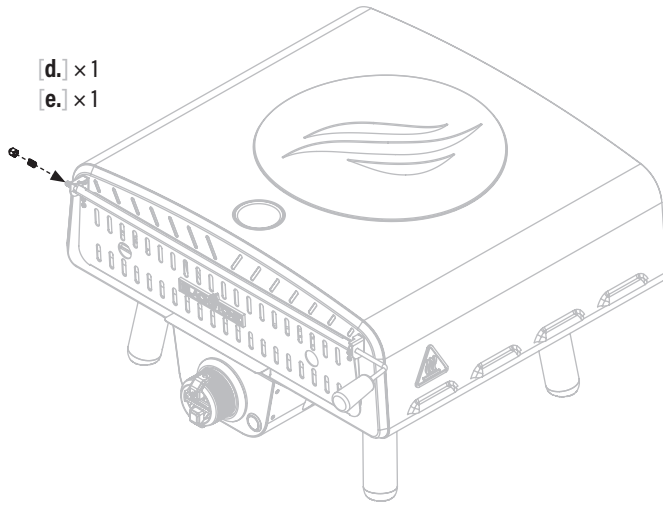


**PASO 07** Deslice el asiento del eje de la puerta (L) sobre el eje de la puerta. Use cuatro (4) pernos M4x16 [c.] para sujetar los ejes de la puerta al frente del horno.

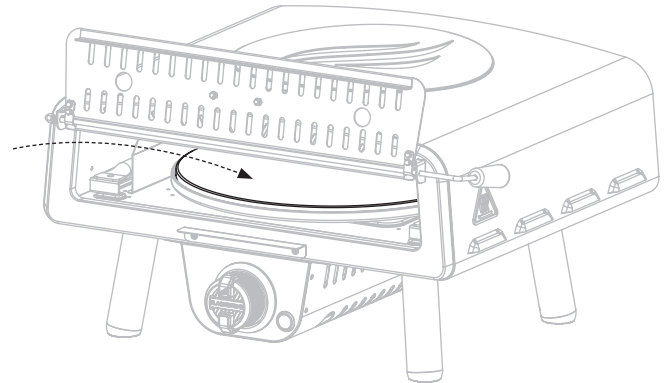




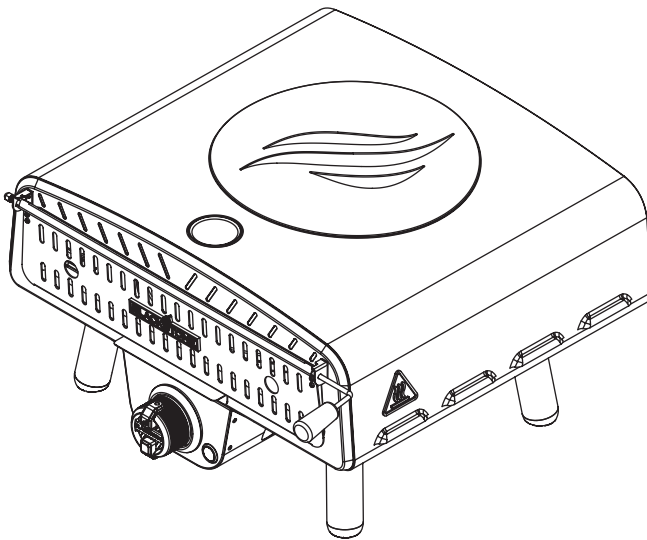
**PASO 08** Asegure el resorte [d.] al eje de la puerta con la tuerca de tapa M5 [e.].



**PASO 09** Coloque la piedra para pizza en la mesa giratoria.



**PASO 10** Continúe con **USANDO SU BLACKSTONE.**



**AVISO**

- No mezcle pilas viejas y nuevas.
- No mezcle baterías alcalinas, estándar (carbono-zinc) o recargables (ni-cad, ni-mh, etc.).

**AVISO**

Coloque el aparato sobre una superficie resistente al calor y a las llamas mientras esté en uso.

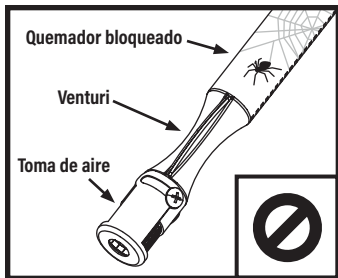
# USANDO SU BLACKSTONE

## ANTES DE COCINAR COMPROBAR QUEMADORES

Antes de la conexión y el uso, asegúrese de que no haya residuos atrapados ni daños en la cabeza del cilindro de gas, el regulador, la manguera, el quemador y los puertos del quemador.

Las arañas y los insectos pueden anidar dentro y obstruir el quemador/tubo venturi en el orificio.

Consulte el capítulo Solución de problemas para obtener instrucciones de limpieza del quemador.



**⚠ ADVERTENCIA**  
Un quemador obstruido puede provocar un incendio debajo del aparato. El quemador debe retirarse y limpiarse cada vez que se encuentren obstrucciones.



**⚠** Asegúrese de que el orificio de la boquilla de combustible del riel de gas esté correctamente enganchado dentro de la abertura del quemador.

**⚠ PELIGRO**  
Los artículos inflamables pueden arder si se colocan cerca del aparato. Mantenga el área del electrodoméstico despejada y libre de materiales combustibles, envases de aerosol, gasolina y otros vapores y líquidos inflamables.

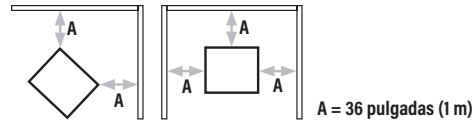
**LA TEMPERATURA AMBIENTE MÍNIMA DE FUNCIONAMIENTO ES DE 0 °F (-18 °C).**

## CONFIGURACIÓN DE SU ESPACIO AL AIRE LIBRE ESTE APARATO SOLO DEBE USARSE AL AIRE LIBRE.

- NO USE este aparato dentro de edificios, garajes o cualquier otra área cerrada.
- NO INSTALE este aparato dentro o sobre un barco.
- NO INSTALE este aparato dentro o sobre un vehículo recreativo.

## MANTENGA LAS DISTANCIAS ADECUADAS DEL MATERIAL COMBUSTIBLE:

- NO USE este electrodoméstico sobre o debajo de ningún apartamento o balcón o terraza de condominio.
- No obstruya el flujo de aire de combustión y ventilación.
- NO OPERE este aparato a menos de 36 pulgadas (1 m) desde los lados y la parte trasera del aparato hasta una construcción combustible.



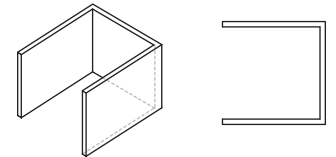
- NO UTILICE este aparato bajo construcciones combustibles elevadas.

## ÁREAS AL AIRE LIBRE PROTEGIDAS:

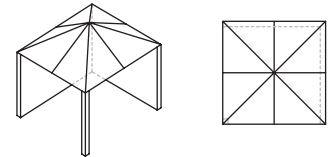
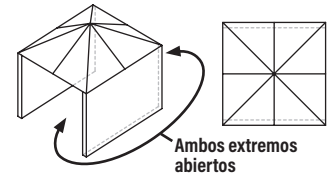
Todas las aberturas deben estar permanentemente abiertas; Las puertas correderas, las puertas de garaje, las ventanas o las aberturas con mosquitero NO SE consideran aberturas permanentes.

Se considera que un electrodoméstico está al aire libre si se instala con una protección que no exceda de:

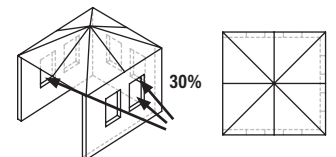
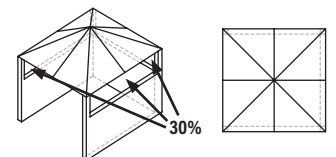
- a. Con paredes en tres lados, pero sin cubierta superior.



- b. Dentro de un recinto parcial que incluye una cubierta superior y no más de dos paredes laterales. Las paredes laterales pueden ser paralelas, como en un corredor, o en ángulo recto entre sí.



- c. Dentro de un recinto parcial que incluye una cubierta superior y tres paredes laterales, siempre que el 30% o más de la periferia horizontal del recinto esté permanentemente abierta.



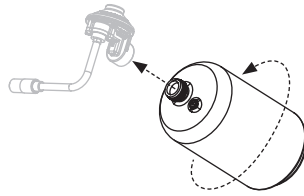




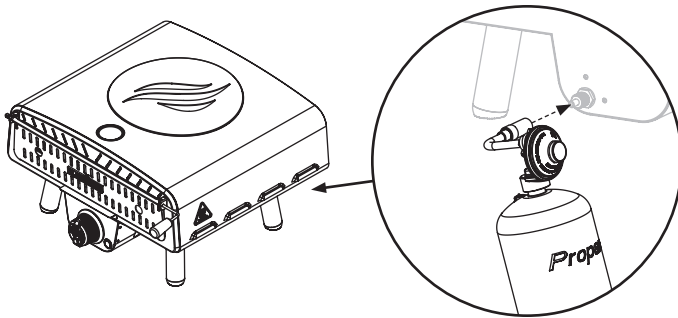
## CONECTAR EL CILINDRO DE GLP USE SOLO UN CILINDRO DE 1 LB (453 G)

**PASO 01** Enrosque el cilindro de GLP en el regulador de gas, girando el cilindro en el sentido de las agujas del reloj.

El regulador puede emitir un zumbido o silbido durante el funcionamiento. Esto no afectará la seguridad ni el uso del aparato.



**PASO 02** Inserte el regulador y el cilindro de GLP en la línea de gas del aparato. Gire el collar del regulador en el sentido de las agujas del reloj para asegurarlo a la línea de gas.

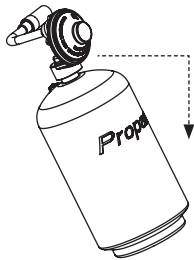


## SEGURIDAD DE CILINDROS DE GLP

- El cilindro de suministro de GLP que se utilizará debe estar construido y marcado de acuerdo con las especificaciones para cilindros de gas LP, Departamento de Transporte de EE. UU. (DOT) o el Estándar para Cilindros, Esferas y Tubos para el Transporte de Mercancías Peligrosas, CAN/CSA-B339.
- Solo se deben usar cilindros de GLP marcados como "propano".
- El cilindro utilizado, si tiene una capacidad de propano superior a 2,2 lb (1,00 kg), debe incluir un collar para proteger la válvula del cilindro.
- El sistema de suministro de cilindros de GLP debe estar preparado para la extracción de vapor.

Mantenga siempre los cilindros de GLP nuevos en posición vertical durante su uso, transporte o almacenamiento.

Asegúrese de que el cilindro de GLP esté colocado debajo del regulador. (Si el nivel de líquido del propano está por encima del regulador, el regulador se congelará).



### SI EL GLASEADO PERSISTE DESPUÉS DE COLOCAR LA BOTELLA EN EL ÁNGULO CORRECTO:

**PASO 01** Apague el aparato y desconecte el cilindro de GLP inmediatamente. Esto indica un problema con el cilindro de GLP y no debe usarse en ningún producto.

**PASO 02** Devuelva el cilindro de GLP al proveedor.

## SEGURIDAD DEL REGULADOR

- Use este aparato, tal como lo compró, solo con el conjunto de gas y válvula/regulador suministrado. NO USE accesorios de conexión rápida u otros complementos.
- NO cruce (fuerce en un ángulo inadecuado) la conexión entre el cilindro de GLP y el regulador.
- Si no puede conectar el regulador, no utilice el regulador.

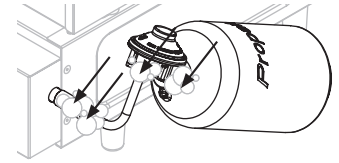
El regulador debe ser reemplazado por un modelo aprobado por Blackstone por un distribuidor autorizado con licencia profesional.

## INSTRUCCIONES DE PRUEBA DE FUGAS

**PASO 01** Gire las perillas de control a APAGADO.

**PASO 02** Conecte el cilindro de GLP al regulador. Conecte el regulador al aparato.

**PASO 03** Use una brocha limpia para aplicar una solución de agua y jabón suave 1% en las áreas de unión de las válvulas y el regulador. Las fugas se indican mediante burbujas en crecimiento.



**PASO 04** Si aparecen burbujas en crecimiento, vuelva a apretar las conexiones.

### ⚠ ADVERTENCIA

Si NO SE pueden detener las fugas, NO INTENTE repararlas. El regulador debe ser reemplazado por un modelo aprobado por Blackstone por un distribuidor autorizado con licencia profesional.

## DESCONECTAR EL CILINDRO DE GLP 1 LIBRA (453 G)

**PASO 01** Asegúrese de que la(s) perilla(s) de control estén en la posición APAGADO.

**PASO 02** Una vez que el aparato se haya enfriado, desconecte el regulador de la línea de gas desenroscando el collar.

**PASO 03** Desenrosque el cilindro de GLP del regulador.

**PASO 04** Coloque la tapa contra el polvo en la salida de la válvula del cilindro de GLP cuando el cilindro no esté en uso.

Instale únicamente el tipo de tapa antipolvo en la salida de la válvula del cilindro que se proporciona con la válvula del cilindro. Otros tipos de tapas o tapones pueden provocar fugas de propano.

## ALMACENAMIENTO DE CILINDROS DE GLP

### ⚠ ADVERTENCIA

- No almacene un cilindro de GLP de repuesto debajo o cerca de este aparato.
- No llene un cilindro de GLP más allá del 80 % de su capacidad. Si NO SE sigue exactamente la información anterior, se puede producir un incendio que cause la muerte o lesiones graves.

- El cilindro de GLP debe estar desconectado cuando el aparato no esté en uso.
- Guarde el aparato en interiores únicamente si el cilindro de GLP está desconectado y retirado del aparato.

# INSTRUCCIONES DE ENCENDIDO

## 1. VÁLVULAS DE RETENCIÓN

**PASO 01** Gire la perilla a la posición de APAGADO.

**PASO 02** Empuje la perilla y suelte. La perilla debe retroceder. Si las perillas no retroceden, reemplace el ensamblaje de la válvula antes de usar el aparato.

**PASO 03** Gire la perilla a BAJO y luego vuelva a APAGADO. La perilla debe girar suavemente.

## 2. ENCENDIDO SEGURO DE TERMOPAR

⚠ Mantén la puerta del horno cerrada el mayor tiempo posible para alcanzar y mantener la temperatura.

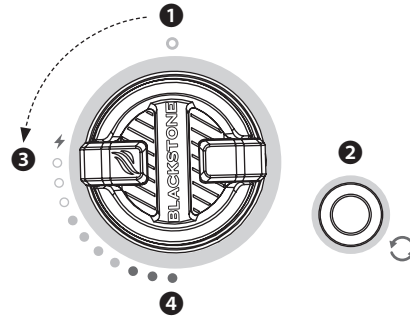
**PASO 01** Asegúrese de que haya una (1) batería AA (no incluida) debajo de la tapa de la batería.



### PASO 02

- 1 Gire la perilla de control del horno para pizza a la posición APAGADO.
- 2 Encienda el motor.
- 3 Empuje la perilla de control y gírela en sentido antihorario un cuarto de vuelta a BAJO. Mantenga presionado durante 10 a 20 segundos hasta que el termopar se caliente. Debería escuchar el encendedor haciendo clic todo el tiempo. (Cuando suelte la perilla, el horno debe permanecer encendido).

**PASO 03** Una vez que la llama sea consistente, ajuste a la temperatura deseada 4.



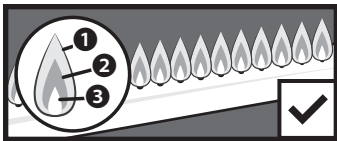
Antes del primer uso, haga funcionar el horno durante 15 a 20 minutos a temperatura ALTA para quemar los restos de fabricación.

## 3. SIEMPRE REVISE LA LLAMA DEL QUEMADOR ANTES DE USARLO.

**PASO 01** Encienda los quemadores y gire las perillas de ALTO a BAJO.

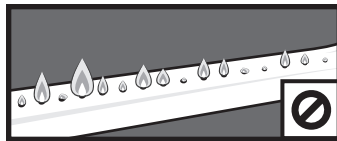
**PASO 02** Mire debajo de la superficie de cocción para ver los quemadores. Cuando la perilla está en ALTO, las llamas deben ser más grandes que cuando la perilla está en BAJA.

### PATRÓN DE LLAMA SALUDABLE



- 1 Parpadeos de color amarillo.
- 2 Color azul oscuro. 3 Azul vibrante.

### AMARILLO O IRREGULAR



Si hay una caída repentina o un problema de llama baja, consulte el capítulo Solución de problemas.

### SI EL ENCENDIDO NO OCURRE EN 5 SEGUNDOS:

**PASO 01** Apague la perilla de control del quemador.

**PASO 02** Espera 5 minutos.

**PASO 03** Repita el procedimiento de iluminación. Si el quemador NO SE enciende, consulte el capítulo Solución de problemas.



# COCINAR EN TU BLACKSTONE

## ⚠ ATENCIÓN

Este aparato estará caliente durante y después de su uso. Utilice utensilios de mango largo y manoplas/guantes protectores cuando manipule piezas potencialmente calientes para protegerse contra quemaduras y salpicaduras.

## ⚠ ATENCIÓN

Si el aparato está equipado con un soporte para toallas de papel, el brazo debe estar en la posición abierta mientras el aparato está en uso.

## AVISO

No guarde ningún artículo a menos de 8 cm (3 pulgadas) de la superficie de cocción mientras está en uso.

### SI GOTEA GRASA U OTRO MATERIAL CALIENTE SOBRE LA VÁLVULA, LA MANGUERA O EL REGULADOR:

**PASO 01** Cierre el suministro de gas inmediatamente.

**PASO 02** Determine la causa y corrijala.

**PASO 03** Limpie e inspeccione la válvula, la manguera y el regulador.

**PASO 04** Realice una prueba de fugas. (Consulte las instrucciones de prueba de fugas)

## VÍDEO RECETAS

Encuentre recetas y consejos de cocina en:

[BlackstoneProducts.com/recipes](https://blackstoneproducts.com/recipes)

[youtube.com/BlackstoneGriddles](https://youtube.com/BlackstoneGriddles)

@blackstoneproducts



### MARGARITA CLÁSICA

- Salsa de tomate
- Queso parmesano rallado
- Hojas de albahaca
- mozzarella fresca
- Ligerito chorrito de aceite de oliva

### POLLO A LA BARBACOA

- Tu salsa BBQ favorita
- Pollo cocido picado
- Cebolla roja en rodajas finas
- Queso mozzarella rallado



### CHILE DULCE TAILANÉS

- Salsa dulce de chile tailandés
- Pollo cocido picado
- Cebolla roja en rodajas finas
- cilantro fresco picado
- Queso mozzarella rallado

## MASA DE PIZZA AL ESTILO DE NUEVA YORK

🕒 1 hora 30 min.

### INGREDIENTES

- 4 tazas de harina de pan
- 1 y ½ tazas de agua tibia
- 1 cucharadita de levadura seca instantánea
- 3 cucharaditas de miel
- 2 cucharaditas de sal
- 4 cucharaditas de aceite de oliva



**PASO 01** Agregue el agua, la harina, la levadura, la miel y la sal en un tazón grande. (No agregue el aceite todavía. Desea que la harina se hidrate primero antes de agregar el aceite).

**PASO 02** Mezcle la masa hasta que se incorpore la mayor parte de la harina.

**PASO 03** Agregue el aceite y amase la masa durante 5-10 minutos.

**PASO 04** Cubra la masa y déjela reposar durante 10-15 minutos.

**PASO 05** Divida la masa en 3 partes y redondee en bolas. Limpie las bolas de masa con aceite o aerosol para cocinar.

**PASO 06** Cubra las bolas de masa y deje crecer durante aproximadamente una hora.

### CÓMO ESTIRAR LA MASA DE PIZZA

**Importante:** Tener la masa a temperatura ambiente hará que estirla sea mucho más fácil. La masa fría es muy difícil de trabajar.

**PASO 01** Enharina generosamente la superficie de preparación para evitar que la masa se pegue.

**PASO 02** Aplane la masa con la palma de la mano, comenzando desde el centro hacia afuera. Usar un rodillo está bien, pero no le dará una corteza hinchada.

**PASO 03** Recoge la masa y colócala en el dorso de tus manos. Gire la masa de una mano a otra dejando que la gravedad haga la mayor parte del trabajo al estirla.

**Nota:** Use una pequeña cantidad de harina, sémola o harina de maíz en la cáscara de la pizza para evitar que se pegue.

## CÓMO UTILIZAR SU HORNO PARA PIZZAS

### PIZZA FRESCA

**PASO 01** Precalienta el horno a temperatura alta durante unos 20-25 minutos.

**PASO 02** Una vez que se alcance la temperatura deseada de la piedra (650°-750°F (340°-400°C) para pizza de masa fresca), gire la perilla de control a baja. Dependiendo de lo que esté cocinando, puede ajustar la temperatura mientras cocina para lograr los resultados deseados.

**Nota:** El termómetro solo mide la temperatura del aire en el horno, NO la temperatura de la piedra. Utilice un termómetro infrarrojo (no incluido) para medir la temperatura de la piedra inferior. **La temperatura adecuada de la piedra es fundamental para obtener resultados consistentes.**

**PASO 03** El tiempo de cocción de la pizza es de 2 a 4 minutos, dependiendo del tamaño y grosor de la pizza.

- Los alimentos más finos se deben cocinar a una temperatura más alta durante menos tiempo.
- Los alimentos más espesos o densos deben cocinarse a una temperatura más baja durante más tiempo.

**PASO 04** Saque la pizza cuando la corteza haya alcanzado el punto deseado o cuando los bordes de la corteza de la pizza estén dorados.

#### PARA MEJORES RESULTADOS:

- Espere para colocar una pizza nueva hasta que la temperatura de la piedra inferior vuelva a la temperatura deseada.
- Establezca la temperatura en ALTA entre cocciones y BAJA durante la cocción.
- Mantenga la puerta cerrada tanto como sea posible para retener el calor.
- Experimente con trozos de masa de antemano para determinar la temperatura óptima de la piedra para su pizza.

#### PIZZAS CONGELADAS, GALLETAS, ETC.

Siga las instrucciones del fabricante de alimentos. Deje que los alimentos congelados se descongelen un poco antes de colocarlos en el horno caliente. Esto evitará que la piedra para pizza se agriete.

## LIMPIEZA DE PIEDRA DE PIZZA

**PASO 01** Ponga su horno a ALTO durante 15 ~ 20 minutos para quemar los residuos.

**PASO 02** Una vez que su horno se haya enfriado por completo, voltee la piedra y use el lado más limpio.

#### AVISO

NO USE jabón en la piedra de cocción. Esto dejará un sabor a jabón en la comida.

## CUIDADO Y MANTENIMIENTO

#### ⚠️ ADVERTENCIA

La acumulación de grasa puede provocar un incendio. Limpie cualquier parte del aparato que se caliente y experimente acumulación de grasa después de cada uso.

#### ⚠️ ATENCIÓN

Toda la limpieza y el mantenimiento deben llevarse a cabo cuando el aparato esté frío y todo esté APAGADO.

- NO USE una almohadilla abrasiva en áreas con gráficos.
- Si se usa un cepillo de cerdas para limpiar cualquiera de las superficies de cocción, asegúrese de que no queden cerdas sueltas en las superficies de cocción antes de cocinar.

#### CUERPO DEL APARATO:

Lave con agua jabonosa tibia y seque inmediatamente con un paño no abrasivo. (No permita que los agentes de limpieza descansen sobre ninguna superficie porosa durante un período de tiempo prolongado).

#### AVISO

NO UTILICE Citrisol, limpiadores abrasivos o un limpiador concentrado en el aparato. Esto puede resultar en daños y fallas en las piezas.

## ALMACENAMIENTO DE ELECTRODOMÉSTICOS

#### ⚠️ ADVERTENCIA

No mueva el aparato cuando esté en uso. Deje que el aparato se enfríe a 115°F (45°C) antes de moverlo o almacenarlo.

El almacenamiento de un electrodoméstico en el interior solo está permitido si el suministro de gas está desconectado y retirado del electrodoméstico.

#### GUÍA DE AJUSTE DE LA CUBIERTA

Siempre cubra su electrodoméstico cuando lo guarde al aire libre.



Para encontrar una cubierta que se ajuste a su electrodoméstico, visite [BlackstoneProducts.com/support](https://BlackstoneProducts.com/support).



# SOLUCIÓN DE PROBLEMAS

## SOLUCIÓN DE PROBLEMAS DE ENCENDIDO

### EL QUEMADOR NO SE ENCIENDE:

Si NO SE enciende en 5 segundos:

**PASO 01** Apague la perilla de control del quemador.

**PASO 02** Espere 5 minutos.

**PASO 03** Repita el procedimiento de encendido.

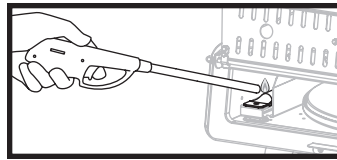
Si esto no funciona, para determinar la causa, intente encender su aparato con una cerilla.

### INSTRUCCIONES PARA ENCENDER FÓSFOROS

Antes de comenzar, compruebe si hay fugas de gas. Abra el capó (si corresponde).

**PASO 01** Gire la perilla de control a la posición APAGADO.

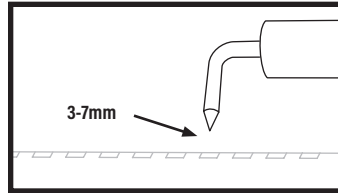
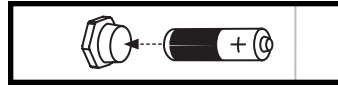
**PASO 02** Encienda un fósforo (o un encendedor largo) de no menos de 11 pulgadas de largo.



**PASO 03** Coloque la llama en el lado derecho o izquierdo del quemador.

**PASO 04** Presione y gire la perilla de control para que empiece a fluir el gas. Asegúrese de que el quemador se encienda y permanezca encendido.

### SI PUEDE ENCENDER SU ELECTRODOMÉSTICO CON UN FÓSFORO:

POSIBLES CAUSAS	SOLUCIÓN
Cable de encendido desalineado.	Asegúrese de que la aguja del encendedor esté colocada entre 3 a 7 mm del quemador y alineada con los orificios del quemador.
	
Daños en el sistema de encendido.	Póngase en contacto con el servicio de atención al cliente para obtener piezas de repuesto.
Batería agotada o mal instalada.	Reemplácela con una batería nueva.
	

### SI NO PUEDE ENCENDER SU APARATO CON UN FÓSFORO:

POSIBLES CAUSAS	SOLUCIÓN
Los tubos de los quemadores no reciben combustible.	Limpie el conjunto del quemador para eliminar la obstrucción.

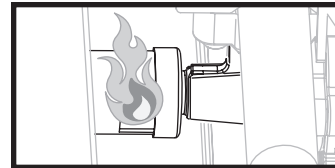
## SOLUCIÓN DE PROBLEMAS DE FLUJO DE GAS

### LAS LLAMAS DEL QUEMADOR SON AMARILLAS O IRREGULARES:

- El aparato no alcanzará una temperatura alta o calentará de manera desigual.
- Las llamas del quemador comienzan con fuerza, luego bajan inmediatamente a nivel bajo incluso cuando el quemador está en la posición alta.
- La altura de la llama desciende cuando se enciende un segundo quemador.
- Las llamas NO SE extienden por toda la longitud del quemador, o solo corren por un lado del quemador.
- Las llamas del quemador son inconsistentes.

POSIBLES CAUSAS	SOLUCIÓN
Obstrucciones en el quemador, chorros de gas o riel de combustible.	Limpie el quemador, los surtidores y la manguera de gas.
El cilindro de gas está vacío o bajo.	Rellene o reemplace el cilindro de gas.
Se activó el dispositivo limitador de caudal del regulador.	Restablecer el sistema de seguridad:
	<b>PASO 01</b> Apague el aparato, cierre la válvula del cilindro de GLP y desconecte el regulador del cilindro de GLP.
	<b>PASO 02</b> Espere cinco minutos para permitir que se disipe la presión, luego vuelva a conectar el regulador al cilindro de GLP y abra lentamente el volante OPD media vuelta.
	<b>PASO 03</b> Encienda su electrodoméstico.
Regulador atascado en posición de seguridad.	Póngase en contacto con el servicio de atención al cliente para obtener piezas de repuesto.

### UNA LLAMA SALE DE LA PUERTA DE AIRE:



POSIBLES CAUSAS	SOLUCIÓN
Algo está bloqueando el venturi en el tubo del quemador.	Limpie el conjunto del quemador para eliminar la obstrucción.

ESPAÑOL

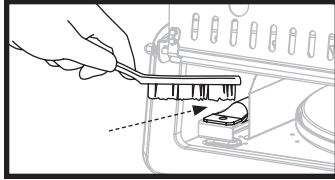


## LIMPIEZA DEL CONJUNTO DEL QUEMADOR

### ⚠ ATENCIÓN

Toda la limpieza y el mantenimiento deben llevarse a cabo cuando el aparato esté frío y con el suministro de combustible APAGADO en el cilindro de gas.

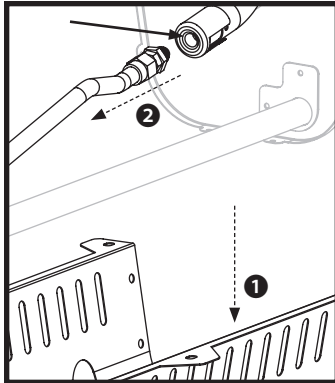
**PASO 01** Pase un cepillo de nailon sobre la superficie exterior del quemador para eliminar la suciedad.



### PASO 02

① Retire la cubierta del panel base de la base de la unidad.

② Desconecte la boquilla del orificio y la línea de gas del tubo del quemador.



**PASO 03** Utilice aire comprimido para limpiar los tubos de los quemadores.

**Nota:** Una vez reinstalada, la línea de gas debe someterse a una prueba de fugas para asegurarse de que no haya agujeros en la línea.

## ATENCIÓN AL CLIENTE

Visítenos en línea en [BlackstoneProducts.com/support](https://BlackstoneProducts.com/support) para obtener ayuda sobre el uso del aparato, las piezas de repuesto o la garantía.

### HORARIO DE ATENCIÓN AL CLIENTE:



Lunes Viernes

7:00 am a 5:00 pm (Hora de la montaña)



Esta página se dejó en blanco intencionalmente



Este producto puede estar cubierto por una o más patentes estadounidenses y/o internacionales emitidas y puede incluir solicitudes de patentes pendientes.  
Para obtener más información, visite: [BlackstoneProducts.com/patents](https://BlackstoneProducts.com/patents)