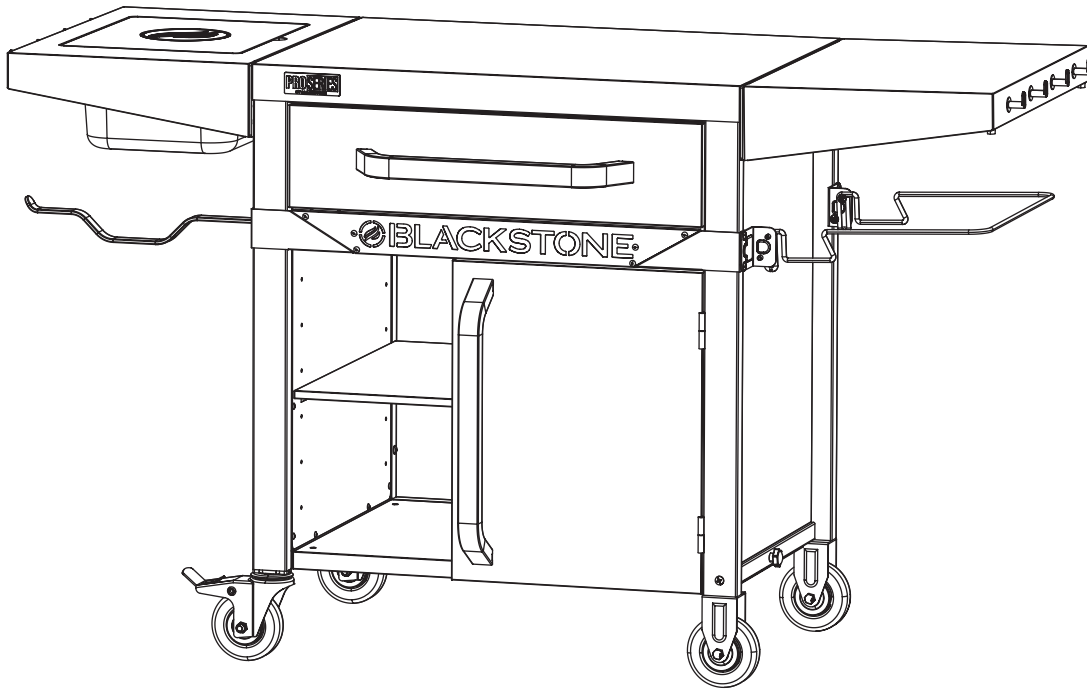


MODEL: 2194 v01



ENGLISH

OWNER'S MANUAL

SERVE & STORE PREP CART

TABLE OF CONTENTS	
ASSEMBLY GUIDE	02



For the latest version of this manual, scan this code or visit BlackstoneProducts.com/support

IMPORTANT:

This instruction manual contains important information necessary for the proper assembly and safe use of the appliance.

Read and follow all warnings and instructions before assembling and using the appliance.

Follow all warnings and instructions when using the appliance.

Keep this manual for future reference.

Installer/Assembler: Leave these instructions with the consumer.

SAFETY ALERT KEY

⚠ DANGER

Indicates a hazardous situation that, if not avoided, will result in death or serious injury.

⚠ CAUTION

Indicates a hazardous situation that, if not avoided, could result in minor or moderate injury.

⚠ WARNING

Indicates a hazardous situation that, if not avoided, could result in death or serious injury.

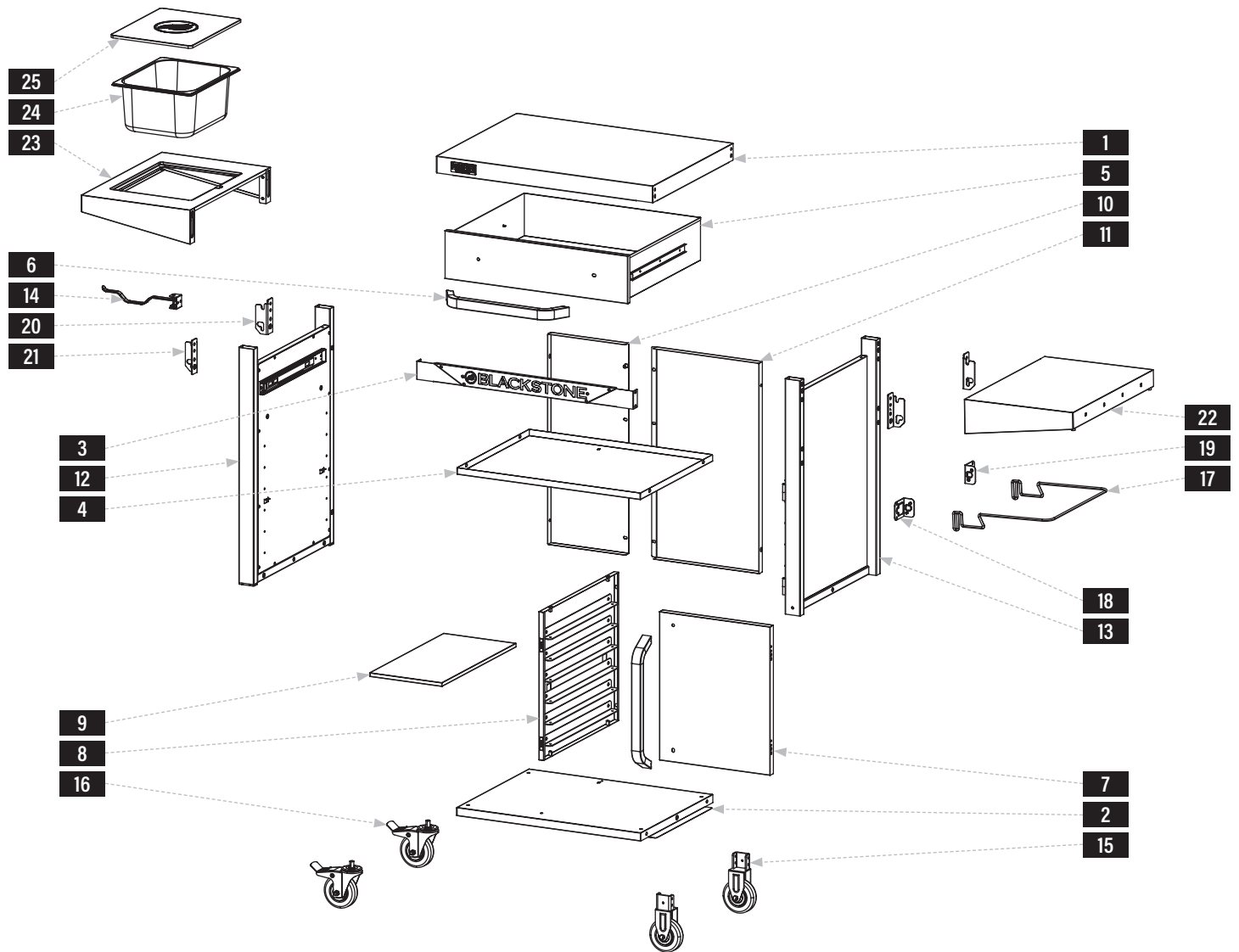
NOTICE

Indicates information considered important, but not hazard-related (e.g. messages related to property damage).

ASSEMBLY GUIDE

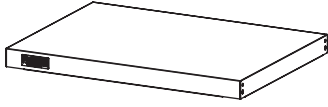
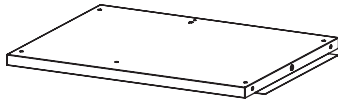

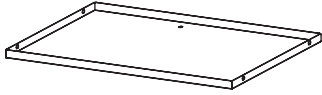
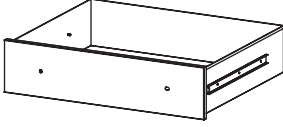



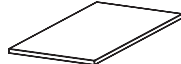








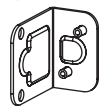
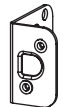
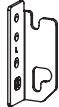

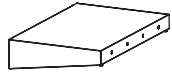



EXPLODED VIEW

ENGLISH



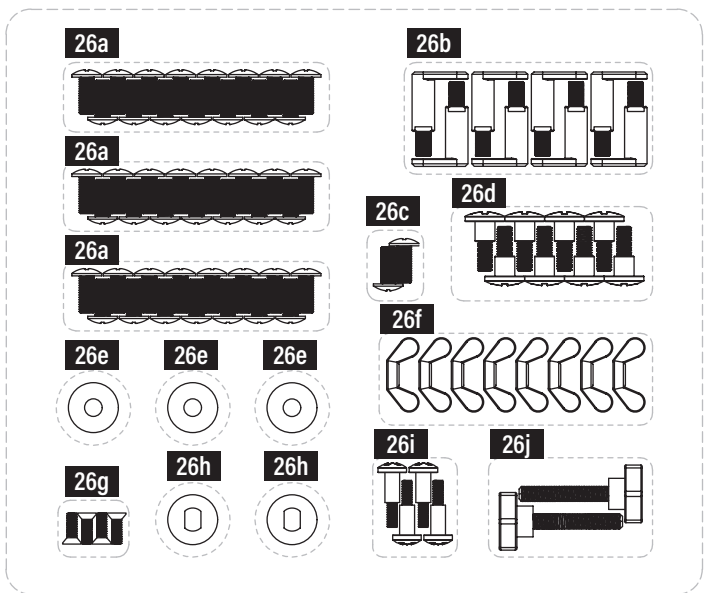


PARTS LIST

1 Table top (1 piece) 		2 Cart base (1 piece) 		3 Logo panel (1 piece) 	
4 Horizontal partition (1 piece) 		5 Drawer (1 piece) 		6 Handles (2 pieces) 	7 Door (1 piece) 
8 Vertical partition (1 piece) 	9 Inner shelf (1 piece) 	10 Left rear panel (1 piece) 	11 Right rear panel (1 piece) 	12 Left side panel (1 piece) 	13 Right side panel (1 piece) 
14 Paper towel holder (1 piece) 	15 Fixed wheels (2 pieces) 	16 Caster wheels (2 pieces) 	17 Garbage bag holder (1 piece) 	18 Left garbage bag holder bracket (1 piece) 	19 Right garbage bag holder bracket (1 piece) 
20 Side shelf bracket (L) (2 pieces) 	21 Side shelf bracket (R) (2 pieces) 	22 Right side shelf (1 piece) 	23 Left side shelf (1 piece) 	24 Prep basin (1 piece) 	25 Basin lid (1 piece) 

26 Hardware pack (1 piece)

- a. M6x15 bolts (15 pieces) (15 pieces) (15 pieces)
- b. Shelf hooks (8 pieces)
- c. Spare parts (2 pieces)
- d. M6x12 step bolts (8 pieces)
- e. Washers (4 pieces) (4 pieces) (4 pieces)
- f. Wing nuts (8 pieces)
- g. M4x10 countersunk bolts (4 pieces)
- h. Slotted washers (4 pieces) (4 pieces)
- i. M4x10 step bolts (4 pieces)
- j. Thumb screws (2 pieces)



ASSEMBLY INSTRUCTIONS

Find a large, clean area to assemble your appliance.
Remove all packing material before assembling.

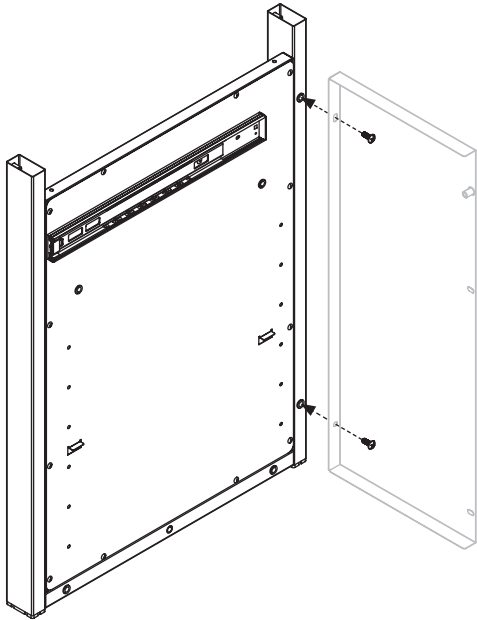
CAUTION

Sharp edges. Wear gloves while assembling.

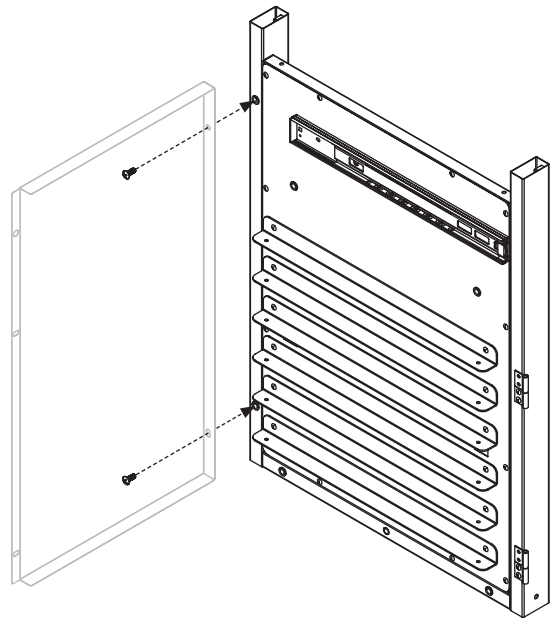


TOOL NEEDED:
Phillips head screwdriver

STEP 01 Use two (2) M6x15 bolts to attach the left rear panel to the left side panel.

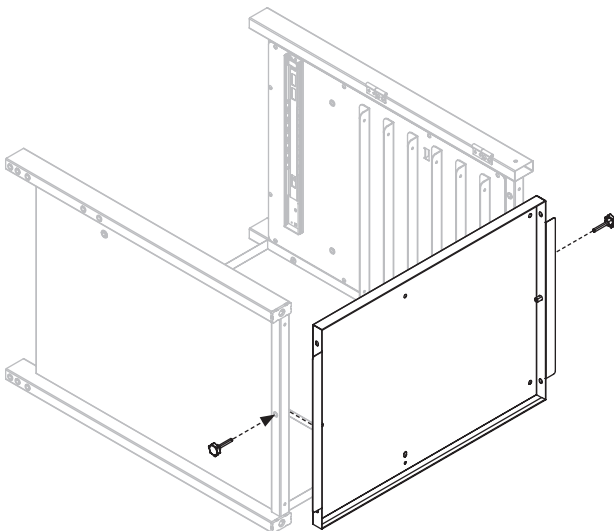


STEP 02 Use two (2) M6x15 bolts to attach the right rear panel to the right side panel.



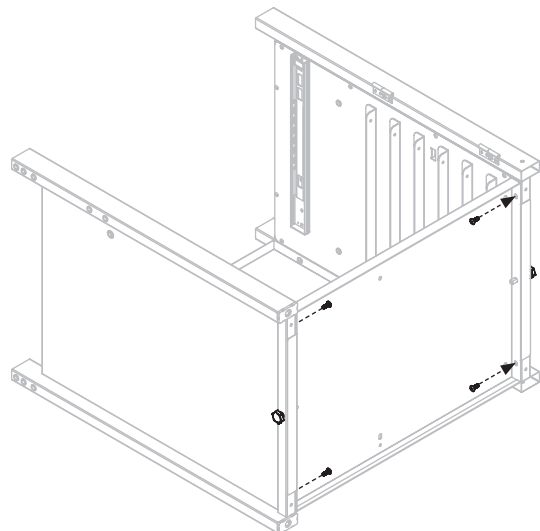
STEP 03 Use two (2) thumb screws to attach the cart base to the left and right side panels.

Note: DO NOT fully tighten these thumb screws yet.



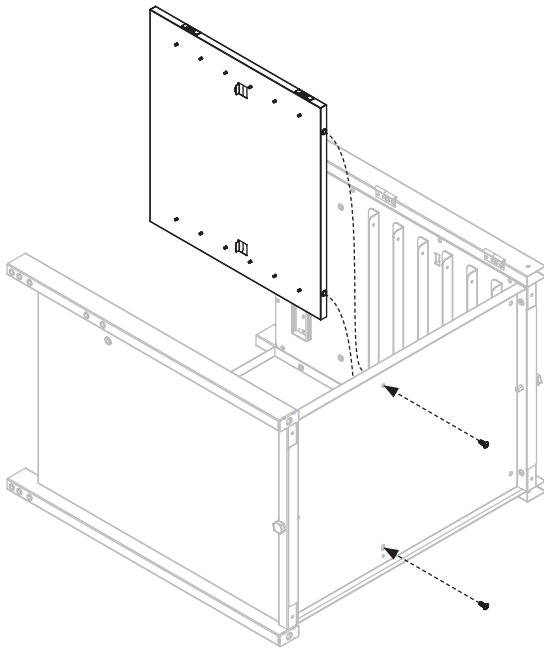
STEP 04 Use four (4) M6x15 bolts to secure the cart base to the left and right side panels.

Note: Tighten the thumb screws.



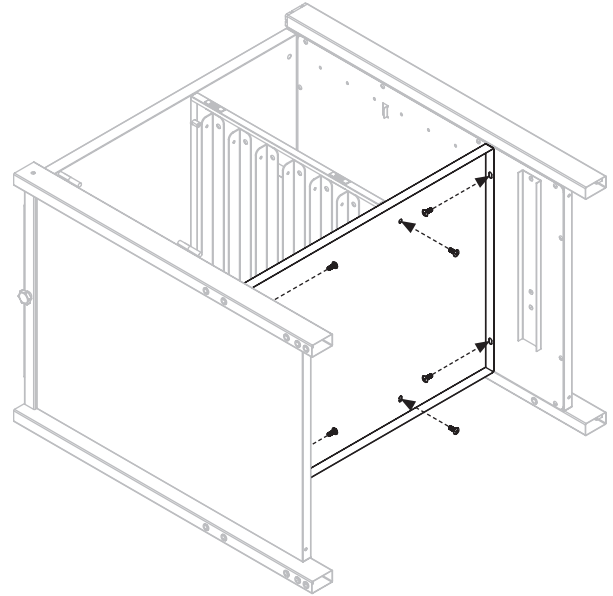


STEP 05 Use two (2) M6x15 bolts to attach the vertical partition to the cart base.



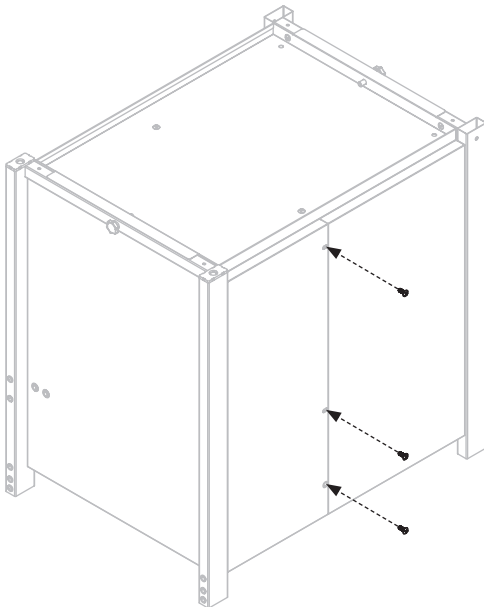
STEP 06 Use four (4) M6x15 bolts to attach the horizontal partition to the left and right side panels.

Use two (2) M6x15 bolts to attach the horizontal partition to the vertical partition.



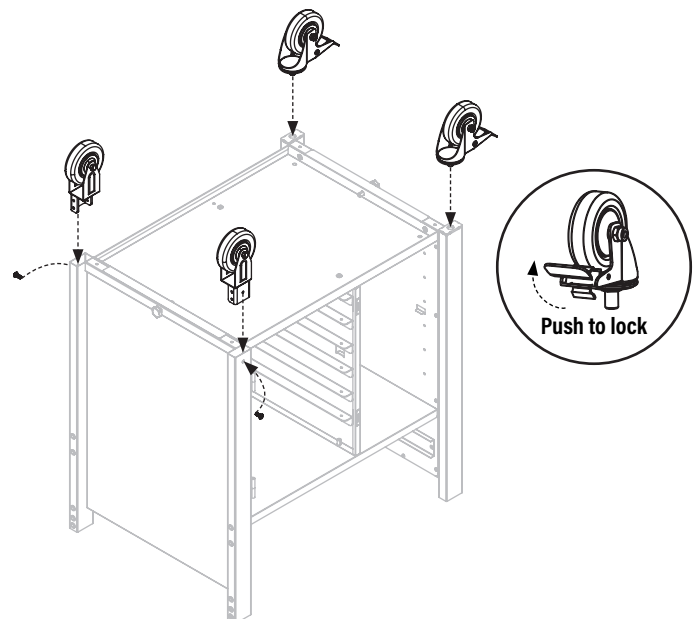
STEP 07 Set the cart assembly upside down.

Use three (3) M6x15 bolts to attach the rear panels to the vertical partition.



STEP 08 Use two (2) M6x15 bolts to attach the fixed wheels to the right side panel.

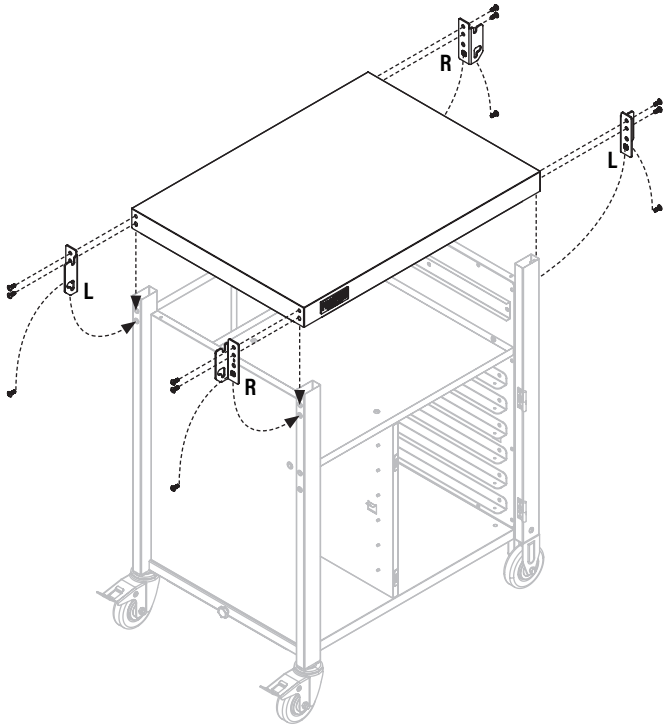
Screw the two (2) caster wheels to left side panel. (Ensure that the wheels are locked.)



STEP 09 Set the cart on its feet.

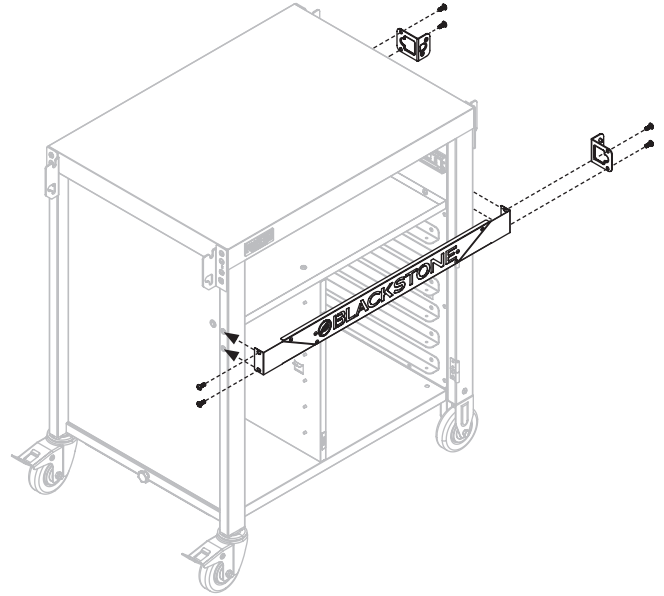
Use eight (8) M6x15 bolts to attach two (2) side shelf brackets (L) and two (2) side shelf brackets (R) to the table top and side panels.

Use four (4) M6x15 bolts to secure the side shelf brackets to the side panels.

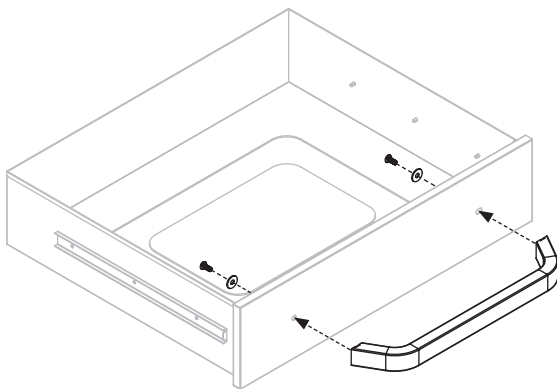


STEP 10 Use four (4) M6x15 bolts to attach the left garbage bag holder bracket and the logo panel to the cart assembly.

Use two (2) M6x15 bolts to attach the right garbage bag holder to the right side panel.

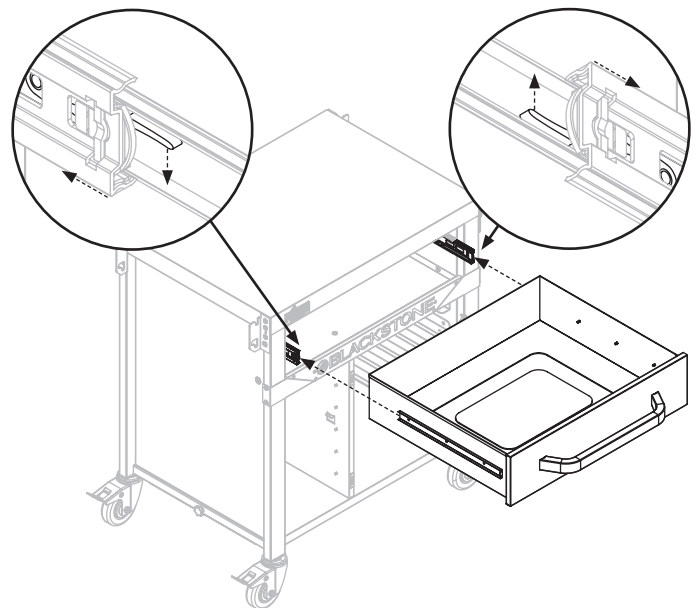


STEP 11 Use two (2) M6x15 bolts and two (2) washers to attach one (1) handle to the drawer face.



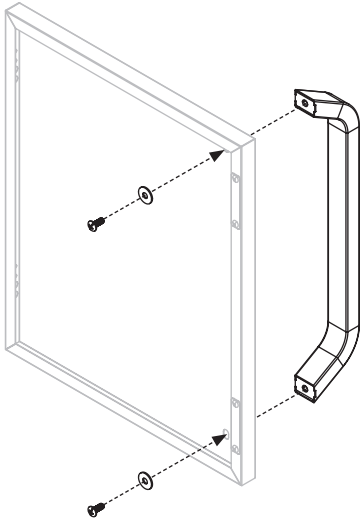
STEP 12 Pull out the two (2) drawer sliding tracks from the side panels. Insert the drawer rails into the tracks.

(**Note:** to remove the drawer, depress the levers on the drawer rails.)

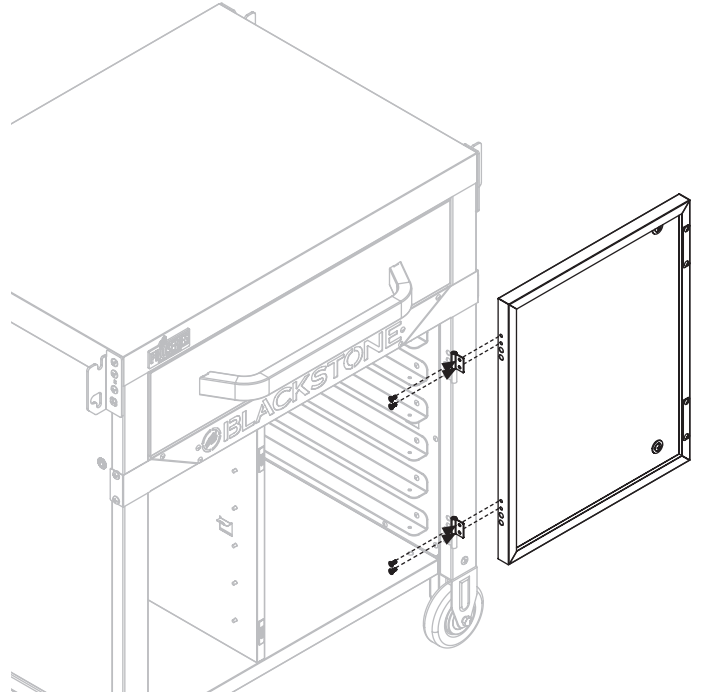




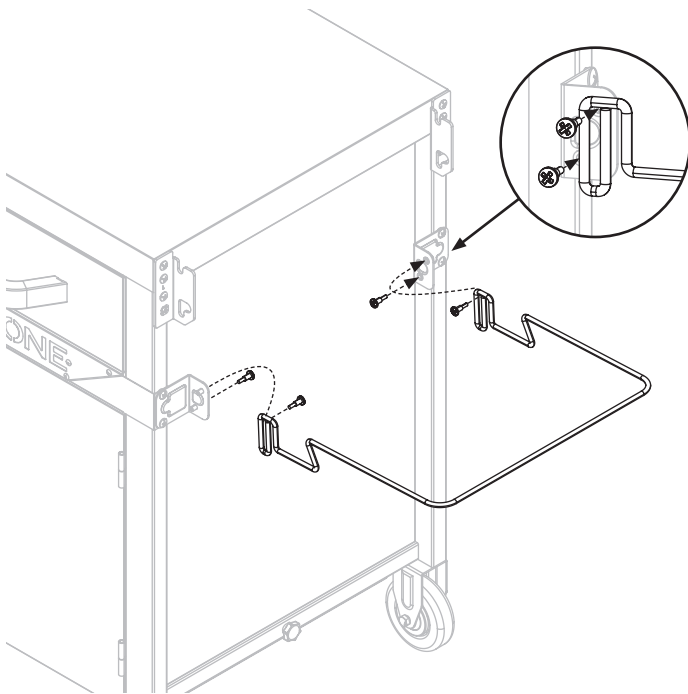
STEP 13 Use two (2) M6x15 bolts and two (2) washers to attach one (1) handle to the door.



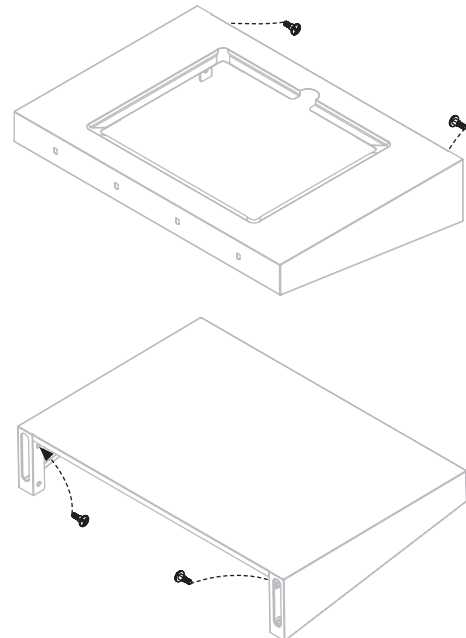
STEP 14 Use four (4) M4x10 sunkhead bolts to attach the door assembly to the right side panel hinges.



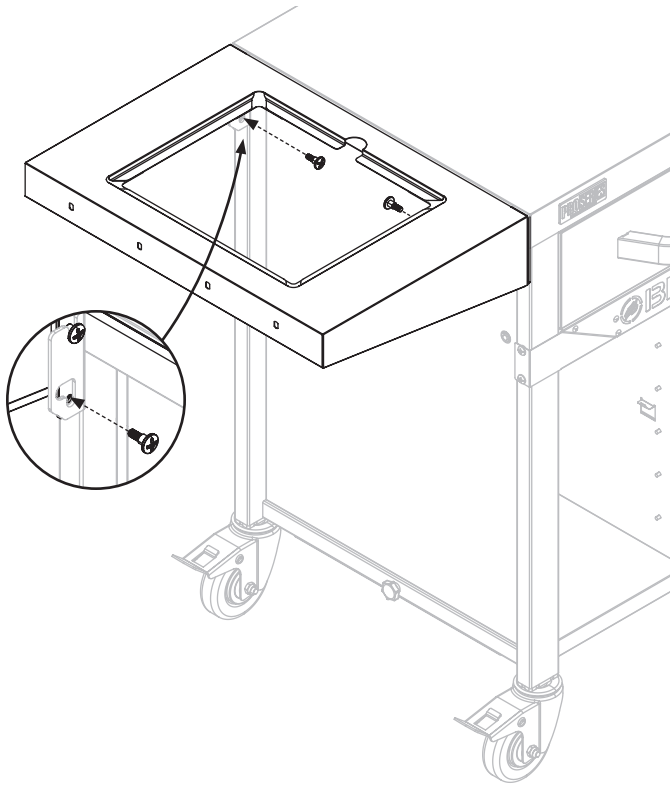
STEP 15 Use four (4) M4x10 step bolts to attach the garbage bag holder to the garbage bag holder brackets. (Lift and turn down the garbage bag holder when not in use.)



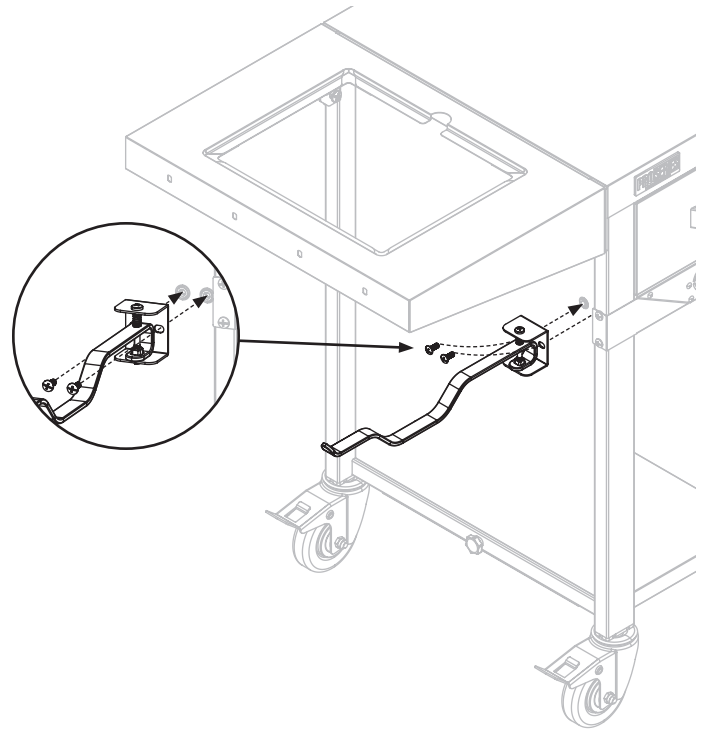
STEP 16 Screw two (2) M6x12 step bolts into the upper holes of the inside of the left side shelf. Repeat with the right side shelf.



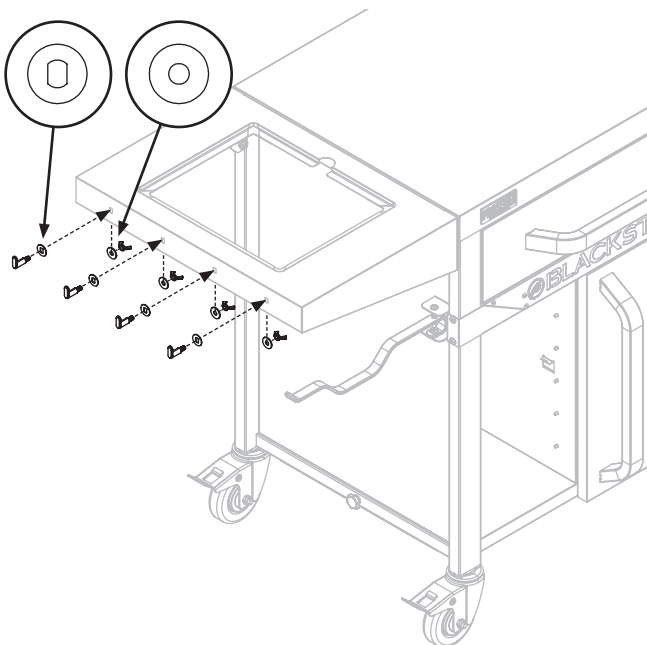
STEP 17 Hang the upper step bolts on the side shelf brackets. Use two (2) M6x12 step bolts to secure the left side shelf to the brackets. Repeat with the right side shelf.



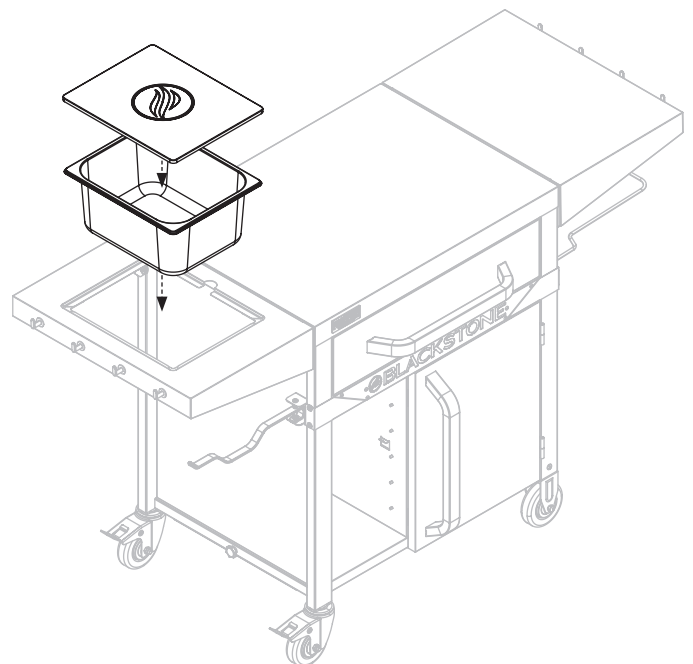
STEP 18 Use two (2) M6x15 bolts to attach the paper towel holder to the left side panel.



STEP 19 Use four (4) wing screws, four (4) washers and four (4) slotted washers to attach four (4) shelf hooks into the left side shelf. Repeat with the right side shelf.

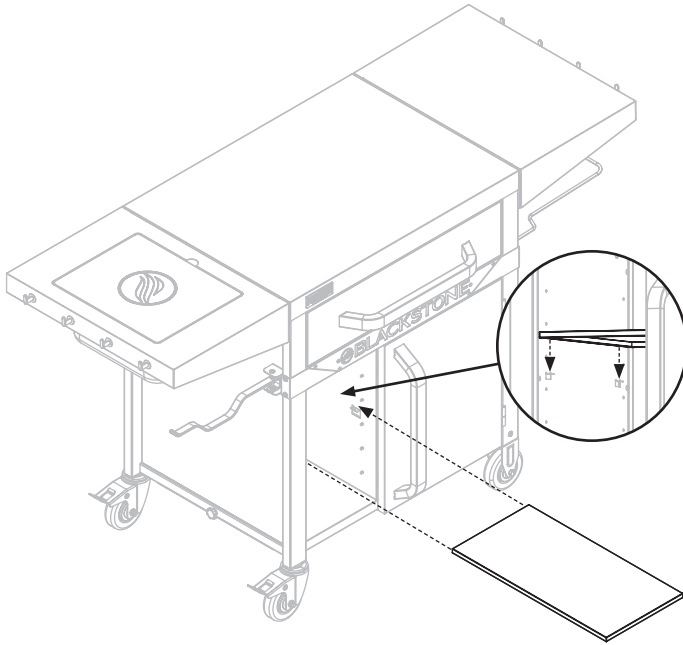


STEP 20 Set the prep basin into the left side shelf. Set the basin lid on the prep basin.

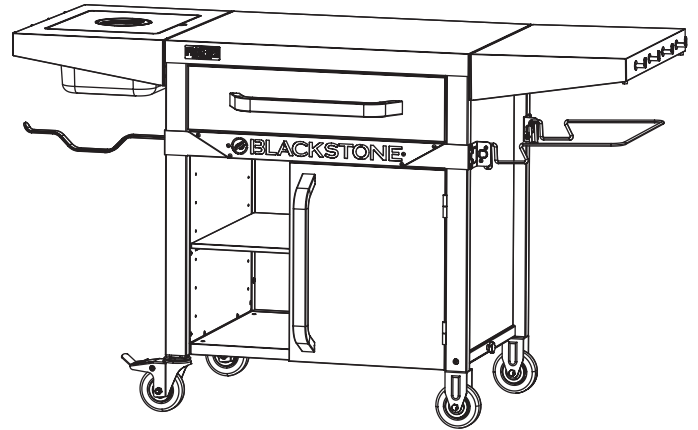




STEP 21 Set the inner shelf onto the panel brackets.



STEP 22 Enjoy using your Serve & Store Prep Cart!



NOTICE
DO NOT sit or stand on the table.

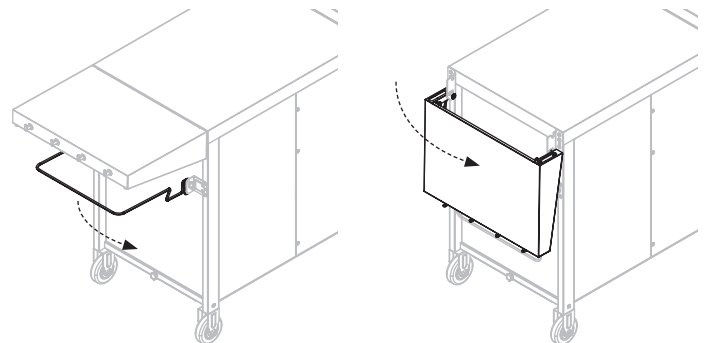
NOTICE

- Maximum weight on the tabletop is 100 lbs (45 kg).
- Maximum weight on the inner shelf is 50 lbs (22.5 kg).
- Maximum weight on the side shelf is 10 lbs (4.5 kg).

TO FOLD THE SIDE SHELF:

STEP 01 Lift and turn down the garbage bag holder. Turn in the paper towel holder.

STEP 02 Lift and turn down the side shelf.



This page intentionally left blank

This page intentionally left blank



This product may be covered by one or more issued U.S. and/or international patents and may include patent applications pending. For more information, please visit: BlackstoneProducts.com/patents