

OWNER'S MANUAL

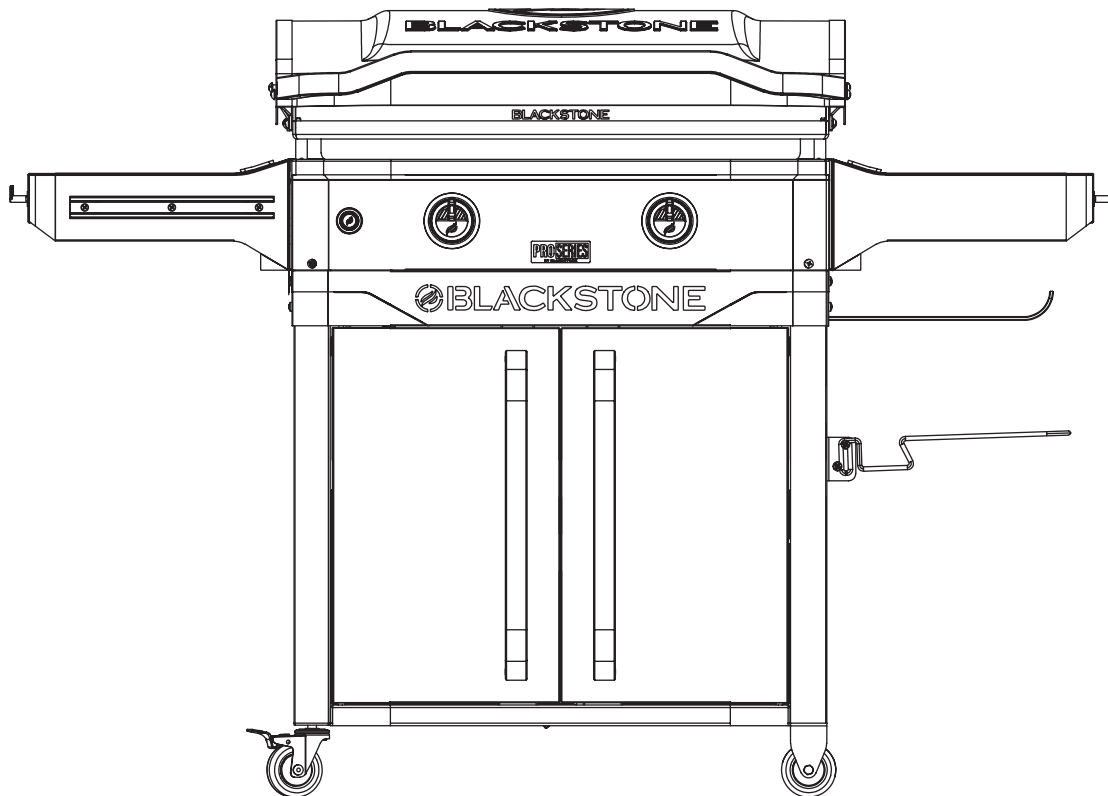
**Model 2007** v09

# 28" GRIDDLE

## WITH HOOD AND CABINET



CONFORMS TO ANSI STD. Z 21.58-2018  
CERTIFIED TO CSA STD. 1.6-2018  
OUTDOOR COOKING GAS APPLIANCES.



Please reference [blackstoneproducts.com/support](http://blackstoneproducts.com/support) for the latest version of this manual, and to follow along with assembly videos.

**⚠ WARNING****INSTALLER/ASSEMBLER:**

Leave these instructions with consumer.

**CONSUMER:** Retain this manual for future reference.

**⚠ WARNING**

This instruction manual contains important information necessary for the proper assembly and safe use of the appliance.

**⚠ WARNING**

Read all warnings and instructions before assembling the appliance.

Follow all warnings and instructions while using the appliance.

**⚠ WARNING**

Accessible parts may be very hot. Keep children and pets away from appliance at all times.

This appliance is not intended for use by children.

Close supervision is necessary when any appliance is used by or near children.

**⚠ WARNING**

This appliance is not intended for and should never be used as a heater.

**Do not use for purposes other than intended.**

**Do not modify this appliance.**

**⚠ DANGER**

Never place any items within 3 in (8 cm) of the cooking surface while in use. This area can become very hot and potentially damage any accessory objects placed too close.

**⚠ DANGER**

**Do not store or use gasoline or other flammable liquids or vapors in the vicinity of this or any other appliance.**

**Do not store a spare LPG cylinder under or near this appliance.**

If these instructions are not followed exactly, a fire causing death or serious injury may occur.

**⚠ DANGER****IF YOU SMELL GAS:**

1. Shut off gas to appliance.
2. Extinguish any open flame.
3. Open lid.
4. If odor continues, keep away from appliance and immediately call your gas supplier or your fire department.

Failure to follow these instructions could result in fire or explosion which could cause property damage, personal injury or death.

**⚠ DANGER**

If a fire should occur, keep away from the appliance and immediately call your fire department. **DO NOT** attempt to extinguish an oil or a grease fire with water.

**⚠ DANGER**

**ONLY USE IN WELL-VENTILATED AREAS.**

**CARBON-MONOXIDE HAZARD - USING THIS APPLIANCE IN AN ENCLOSED SPACE MAY CAUSE DEATH.**

**⚠ DANGER**

- This appliance is for outdoor use only, and is not to be used in a building, garage, or any other enclosed area.
- This appliance is not to be used on or under any apartment or condominium balcony or deck.

**⚠ DANGER**

**DO NOT USE THIS APPLIANCE INSIDE OR ON RECREATIONAL VEHICLES, CARAVANS, TENTS, MARINE CRAFT, BOATS, CARS, MOBILE HOMES OR SIMILAR LOCATIONS.**



# COOKING TIPS

## LOW HEAT:

*Cooks slowly and requires more time.*

*Breaks down connective tissue and fat for a tender, moist meal.*

- Fatty, thick cuts of meat.  
(eg: chuck steak, brisket, chicken thighs, short ribs)
- Delicate seafood  
(eg: octopus, squid)

## MEDIUM HEAT:

*Stable heat, takes the average time you'd expect for pancakes, eggs, toast, and more.*

*For food more susceptible to heat. Sear without overcooking.*

- Fish (whole or in pieces)
- Most seafood
- Vegetables  
(steam with the **Blackstone Basting Dome** for best flavor)
- Pancakes
- Eggs

## HIGH HEAT:

*Cooks meals fast and in little time.*

*Slow cooking would dry up these cuts and make them horrible to eat since they are lower on fat.*

- Lean cuts of meat.  
(eg: chicken breast, tenderloin, skirt steak, flank)

*This appliance is safety certified for use in the United States and/or Canada only. Do not modify for use in any other location. Modification will result in a safety hazard and void warranty.*

## VIDEO RECIPES

Learn how to use your new Blackstone with our Blackstone Chefs!

Easily cook thousands of mouth-watering recipes for breakfast, lunch and dinner. From red meat and seafood to vegan and desserts, you can cook anything, anytime, anywhere.



[youtube.com/c/BlackstoneGriddles](https://www.youtube.com/c/BlackstoneGriddles)

## ⚠ WARNING

This product can expose you to chemicals including Di(2-Ethylhexyl) Phthalate (DEHP), which is known to the State of California to cause cancer and birth defects or other reproductive harm, and Diisononyl Phthalate (DINP), which is known to the State of California to cause cancer. For more information, go to [www.P65Warnings.ca.gov](http://www.P65Warnings.ca.gov).

## ⚠ WARNING

Fuels used in liquefied propane gas appliances, and the products of combustion of such fuels, can expose you to chemicals including benzene, which is known to the State of California to cause cancer and cause birth defects or other reproductive harm. For more information go to [www.P65Warnings.ca.gov](http://www.P65Warnings.ca.gov).

## INSTALLATION SAFETY

Appliance installation must conform with local codes, or in the absence of local codes, with either the National Fuel Gas Code, ANSI Z223.1/ NFPA 54, Natural Gas and Propane Installation Code, CSA B149.1, or Propane Storage and Handling Code, B149.2, or the Standard for Recreational Vehicles, NFPA 1192, and CSA Z240 RV Series, Recreational Vehicle Code, as applicable.



# TABLE OF CONTENTS

*It is the consumer's responsibility to see that the unit is properly assembled, installed, and maintained. Failure to follow the instructions in this manual could result in bodily injury and/or property damage.*

## CONTENTS

- 01. REGISTER YOUR PRODUCT ..... 01**
- 02. FOR YOUR SAFETY ..... 02**
  - Section 01. Food Safety ..... 02
  - Section 02. Gas Appliance Safety ..... 03
- 03. ASSEMBLY GUIDE ..... 04**
- 04. FUEL | 20 LB. (9 KG) PROPANE TANK ..... 12**
  - Section 01. LPG Cylinder Requirements ..... 12
  - Section 02. Connection & Removal ..... 13
  - Section 03. Leak Test Instructions ..... 15
- 05. IGNITION | BATTERY POWERED ..... 16**
- 06. TROUBLESHOOTING ..... 17**
  - Section 01. Battery Powered Ignition ..... 17
  - Section 02. Gas Flow ..... 18
- 07. CARE & MAINTENANCE ..... 20**
  - Section 01. General Care ..... 20
  - Section 02. Cleaning the Burner Assembly ..... 22
  - Section 03. Griddle Seasoning Instructions ..... 24
  - Section 04. Cleaning Your Griddle Top ..... 26
- 08. RECIPES ..... 28**
- 09. WARRANTY ..... 31**

### SAFETY ALERT KEY

Read and follow all the notices throughout the manual.

<b>DANGER</b>
Indicates an imminently hazardous situation which, if not avoided, may result in death or serious injury.
<b>WARNING</b>
Indicates the possibility of serious bodily injury if the instructions are not followed.
<b>CAUTION</b>
Indicates a potentially hazardous situation which, if not avoided, may result in minor or moderate injury.



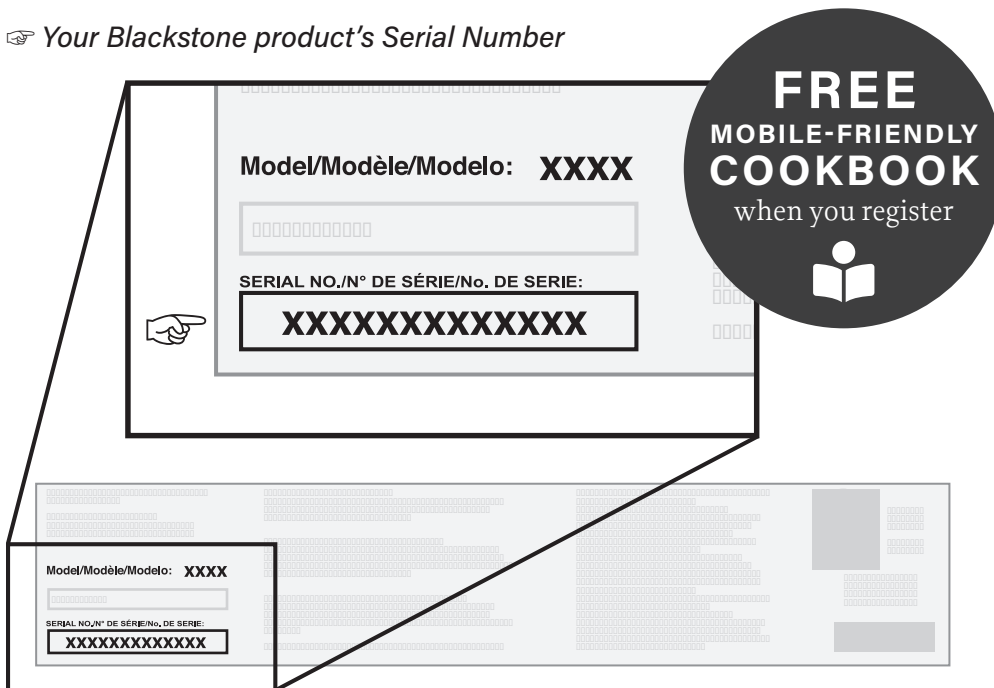
# REGISTER YOUR PRODUCT

*Registration allows our Customer Service Representatives to quickly provide assistance with your Blackstone product if needed.*

The North Atlantic Imports LLC 1-Year Warranty covers replacement parts up to one year after the date of purchase. (Please reference the Warranty chapter for more information.)

To enable this warranty, you will need to provide:

*Your Blackstone product's Serial Number*



Your Serial Number can be found on your Blackstone product's Manufacturer Label. (The Manufacturer Label is a large silver sticker found on the body of your appliance.)



Register your Blackstone product at [blackstoneproducts.com/register](https://blackstoneproducts.com/register)

**OUR CUSTOMER SERVICE STAFF IS HERE TO HELP YOU!**

Visit us online at [blackstoneproducts.com/support](https://blackstoneproducts.com/support)

We are pleased to help you with any questions concerning appliance use, replacement parts, or your warranty.

*Customer Service Hours:*

**Monday - Friday**  
**7:00 am - 5:00 pm (MST)**

Model Number \_\_\_\_\_

Serial Number \_\_\_\_\_

Date Purchased \_\_\_\_\_



**⚠ DANGER**

Never operate this appliance unattended.

**⚠ WARNING**

**NEVER** partially cook meat or poultry to finish cooking later. Cook food completely to destroy harmful bacteria.

**⚠ WARNING**

The use of alcohol, prescription or non-prescription drugs may impair the consumer's ability to properly assemble or safely operate the appliance.

**⚠ CAUTION**

For residential and household use only. **DO NOT** use for commercial cooking.

**⚠ CAUTION**

Use long-handled cooking utensils and oven mitts to protect against burns and splatters.

**⚠ CAUTION**

- Do not place any empty cooking or frying vessels on the cooking surface while in operation.
- Use caution when placing anything in cooking vessel while the appliance is in operation.

# FOR YOUR SAFETY

*Before proceeding, make certain that you understand the FOR YOUR SAFETY section of this manual. Hazardous fire or explosion may result if instructions are ignored.*

## Section 01 FOOD SAFETY

*Food safety is an important part of enjoying the outdoor cooking experience. To keep food safe from harmful bacteria, follow these four basic steps:*

**CLEAN:** Wash hands, utensils, and surfaces with hot soapy water before and after handling raw meat and poultry.

**SEPARATE:** Separate raw meats and poultry from ready-to eat foods to avoid cross contamination. Use clean platter and utensils when removing cooked foods from appliance.

**COOK:** Cook meat and poultry thoroughly to kill bacteria. Use thermometer to ensure proper internal food temperatures.

**CHILL:** Refrigerate prepared foods and leftovers promptly.

For more information visit [foodsafety.gov](http://foodsafety.gov) or Canadian Partnership for Consumer Food Safety Education online at [befoodsafe.ca](http://befoodsafe.ca)

### HOW TO TELL IF MEAT IS COOKED THOROUGHLY

Meat and poultry cooked with this appliance often browns very fast on the outside.

Use a meat thermometer to be sure food has reached a safe internal temperature and cut into food to check for visual signs of doneness.

When reheating takeout foods or fully cooked meats like hot dogs, cook to 165° F (74° C), or until steaming hot.

### MEAT COOKING TEMPERATURES

**🐔 Poultry**

165° F or 74° C

Juices should run clear and flesh should not be pink.

**🐄 🐔 Beef or Poultry Hamburger**

160° F or 71° C

Juices should not be pink and flesh should be brown in the middle.

**🐄 🐑 Beef, Veal, & Lamb Steaks/ Chops/ Roasts**

145° F or 63° C

**🐷 ALL cuts of Pork**

160° F or 71° C

Juices should not be pink.



## Section 02

# GAS APPLIANCE SAFETY

*If grease or other hot material drips from appliance onto valve, hose or regulator:*

**STEP 01** Turn off gas supply immediately.

**STEP 02** Determine the cause and correct it.

**STEP 03** Clean and inspect valve, hose and regulator before continuing.

**STEP 04** Perform a leak test. (Please reference the Leak Test Instructions in the Fuel chapter.)

For problems with this appliance, please reference the Troubleshooting chapter.

## GAS INSTALLATION CODES

Appliances must be used in accordance with the installation requirements of your gas supply authority, and constructed and marked in accordance with the applicable standard:

- Specifications for LPG Cylinders of the U.S. Department of Transportation (DOT)
- National Standard of Canada, CAN/CSA-B339, Cylinders, Spheres, and Tubes
- Specifications for LPG cylinders, Transports Canada (TC), Transportation of Dangerous Goods (TDG)
- Australian Standard AS/NZS 5601

See LPG Cylinder collar for marking.

**⚠ WARNING**

If the appliance is not in use, the gas must be turned off at the supply cylinder.

**⚠ WARNING**

Storage of an appliance indoors is permissible only if the cylinder is disconnected and removed from the appliance.

The cylinder supply system must be arranged for vapor withdrawal.

**⚠ WARNING**

Use this appliance, as purchased, only with gas and regulator/valve assembly supplied.

Replacement pressure regulators and hose assemblies shall be those specified by the appliance manufacturer.

**⚠ DANGER**

**When not in use, turn OFF appliance by rotating the appliance control knobs to the OFF position and closing the fuel valve.**

If the information in the above statements is not followed exactly, serious injuries, fire, or death may occur.

**⚠ DANGER**

When cooking with oil or grease, have a type BC or ABC fire extinguisher readily available.

**⚠ DANGER**

**DO NOT** operate this appliance any closer than 36 in (1 m) from the sides and back of the appliance. Do not use this appliance under overhead combustible surfaces.

**A = 36" (1 m)**

**⚠ CAUTION**

Do not move the appliance when in use. Allow cooking vessel to cool to 115° F (45° C) before moving or storing.

ENGLISH

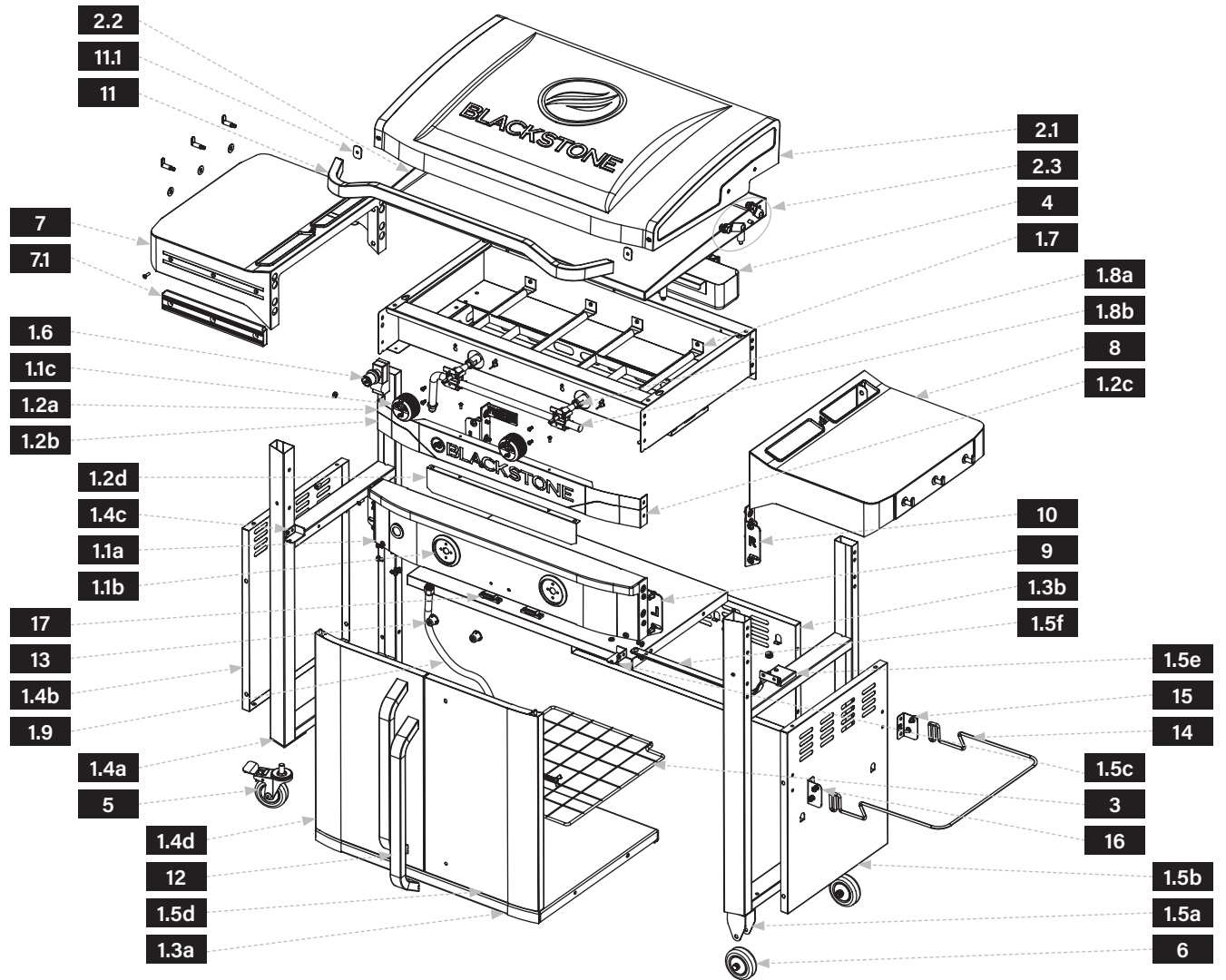
## REGULATOR SAFETY

If regulator fails in unit, it must be replaced with a Blackstone approved model and must only be replaced by a professionally licensed, authorized dealer. Failure to comply will void the warranty.



# ASSEMBLY GUIDE

## EXPLODED VIEW



ENGLISH

PARTS	QTY
<b>1.1a</b> Control panel	1
<b>1.1b</b> Control knob bezels	2
<b>1.1c</b> Control knobs	2
<b>1.2a</b> Front logo panel	1
<b>1.2b</b> Left decorative panel	1
<b>1.2c</b> Right decorative panel	1
<b>1.2d</b> Orange background panel	1



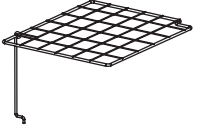
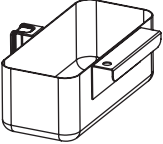
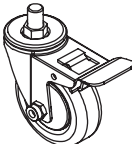
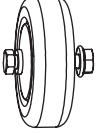

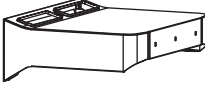


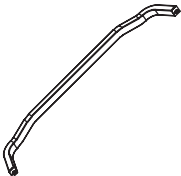
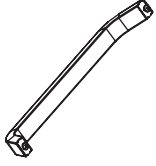
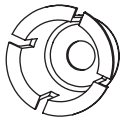
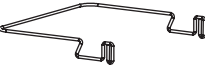



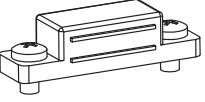
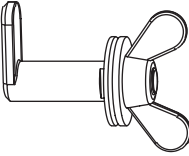
PARTS	QTY
<b>1.3a</b> Cart base	1
<b>1.3b</b> Rear cart panel	1
<b>1.4a</b> Left leg assembly	1
<b>1.4b</b> Left cart panel	1
<b>1.4c</b> Left cabinet door bracket	1
<b>1.4d</b> Left cabinet door	1
<b>1.5a</b> Right leg assembly	1

PARTS	QTY
<b>1.5b</b> Right cart panel	1
<b>1.5c</b> Right cabinet door bracket	1
<b>1.5d</b> Right cabinet door	1
<b>1.5e</b> Paper towel holder bracket	1
<b>1.5f</b> Paper towel holder	1
<b>1.6</b> Ignition	1
<b>1.7</b> H burners	2

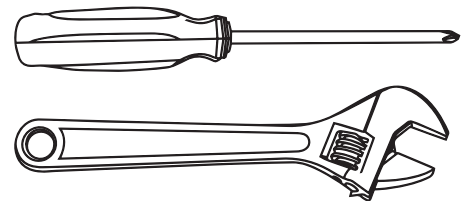
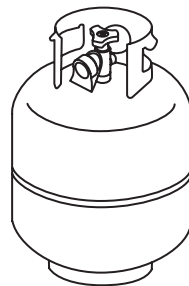




## ILLUSTRATED PARTS LIST

<p><b>1</b> Body (1 piece)</p> 	<p><b>2</b> Griddle top and Hood (1 piece)</p> 	<p><b>3</b> Inner shelf (1 piece)</p> 	<p><b>4</b> Grease cup (1 piece)</p> 	<p><b>5</b> Caster wheels (2 pieces)</p> 	<p><b>6</b> Fixed wheels (2 pieces)</p> 
<p><b>7</b> Left side shelf (1 piece)</p> 	<p><b>8</b> Right side shelf (1 piece)</p> 	<p><b>9</b> Side shelf bracket L (2 pieces)</p> 	<p><b>10</b> Side shelf bracket R (2 pieces)</p> 	<p><b>11</b> Hood handle (1 piece)</p> 	<p><b>12</b> Door handles (2 pieces)</p> 
<p><b>13</b> Handle sleeves (4 pieces)</p> 	<p><b>14</b> Garbage bag holder (1 piece)</p> 	<p><b>15</b> Garbage bag holder bracket L (1 piece)</p> 	<p><b>16</b> Garbage bag holder bracket R (1 piece)</p> 	<p><b>17</b> Upper door magnets (2 pieces)</p> 	<p><b>18</b> Lower door magnets (2 pieces)</p> 
<p><b>19</b> Side shelf hooks (6 pieces) Wing nuts (6 pieces) Washers (12 pieces)</p> 					

PARTS	QTY
<b>1.8a</b> Gas valves	2
<b>1.8b</b> Gas rail	1
<b>1.9</b> Regulator	1
<b>2.1</b> Griddle top	1
<b>2.2</b> Hood	1
<b>2.3</b> Hood hinge assembly	2
<b>7.1</b> Magnetic strip	1
<b>11.1</b> Mica sheets	2



**NOT INCLUDED:**  
20 lb (9 kg) LPG tank & AA Battery

**TOOLS NEEDED:** Phillips head screwdriver & Adjustable wrench



**⚠ WARNING**

The manufacturer has made every effort to eliminate any sharp edges. However, you should handle all components with care to avoid accidental injury.

Some parts may contain sharp edges, especially as noted in these instructions. Wear protective gloves if necessary.

**⚠ CAUTION**

Two people are recommended for the assembly of this product.

ENGLISH

**ASSEMBLY INSTRUCTIONS**

*Please read all instructions thoroughly before proceeding. Ensure that all plastic packing material and any transit protection is removed before assembling.*

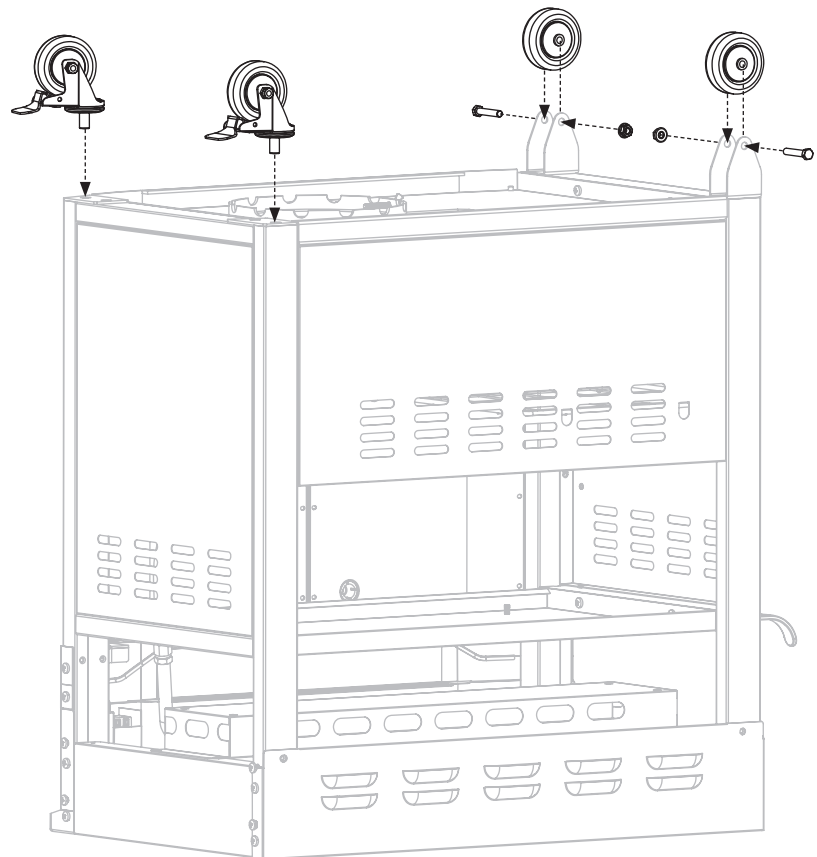
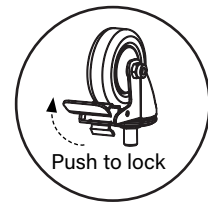
Find a large, clean area to assemble your unit. Please refer to the parts list and assembly diagrams as necessary.

**STEP 01** **With the help of another person,** remove the griddle body from the packaging and lay it upside down on a smooth, flat surface.

Use the pre-installed bolts and nuts from the two (2) fixed wheels to attach them to the right leg assembly.

Screw the two (2) caster wheels into the left leg assembly.

(Ensure that the caster wheels are locked before attaching them.)

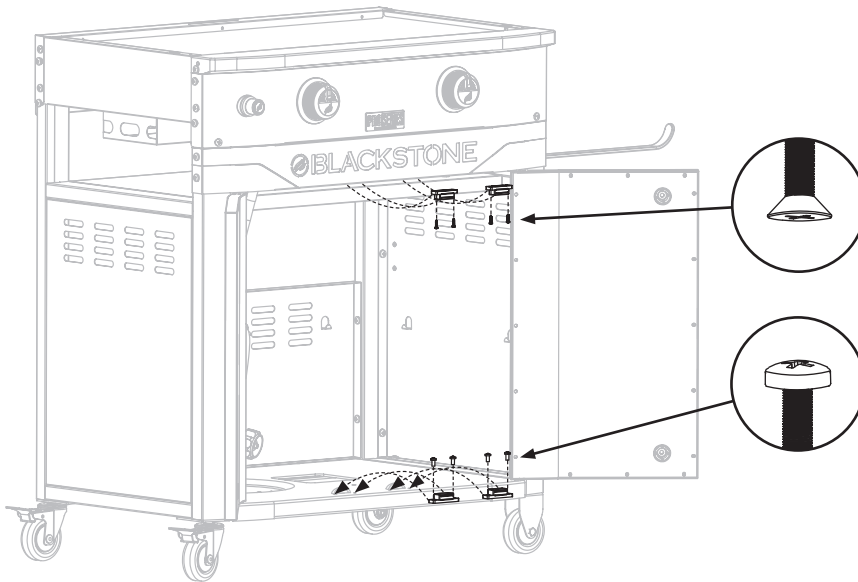




**STEP 02** Use the four (4) pre-installed M3 bolts and M3 nuts to attach the two (2) lower door magnets to the cart base.

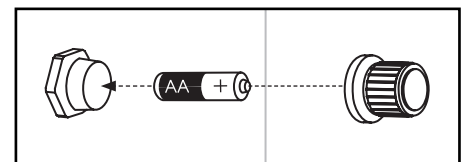
**With the help of another person,** place the griddle body on its wheels.

Use the four (4) pre-installed M3 bolts and M3 nuts to attach the two (2) upper door magnets to the front logo panel.

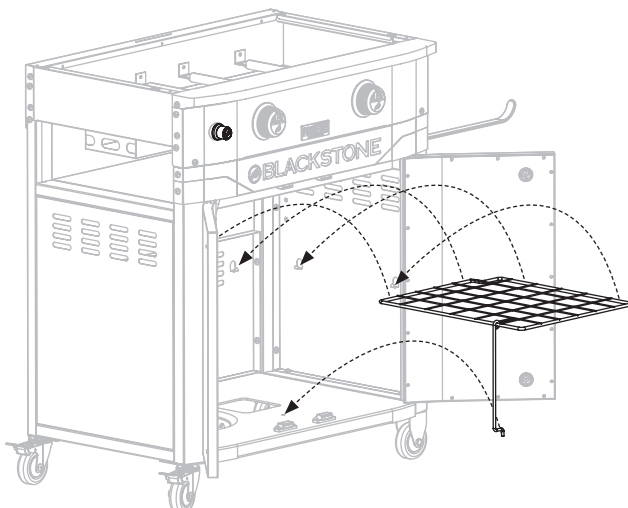


**STEP 03** Install the inner shelf by resting the shelf on the four (4) inner shelf brackets, and inserting the leg into the cart base hole.

Insert one (1) AA battery (not included) under the ignition button.



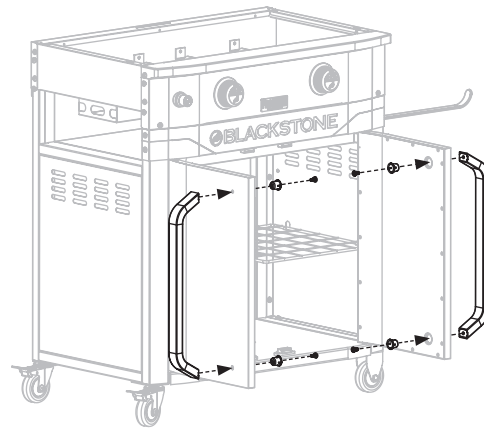
Insert one (1) AA battery (not included) into the battery socket with the positive terminal facing out, then screw on the ignitor button until tight. Be careful to not over tighten.



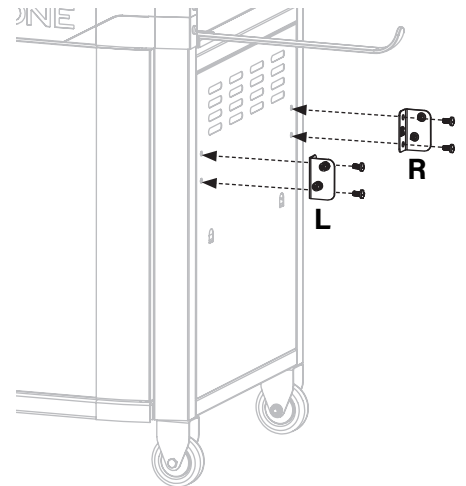


**STEP 04** Use the two (2) pre-installed M6x12 screws from one (1) door handle to install the door handle and two handle sleeves to the left cabinet door.

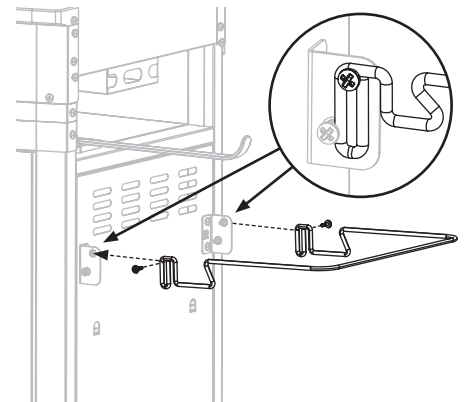
Repeat with the right cabinet door.



**STEP 05** Use the four (4) pre-installed M6x12 screws from the two (2) garbage bag holder brackets to attach the brackets to the right cart panel.

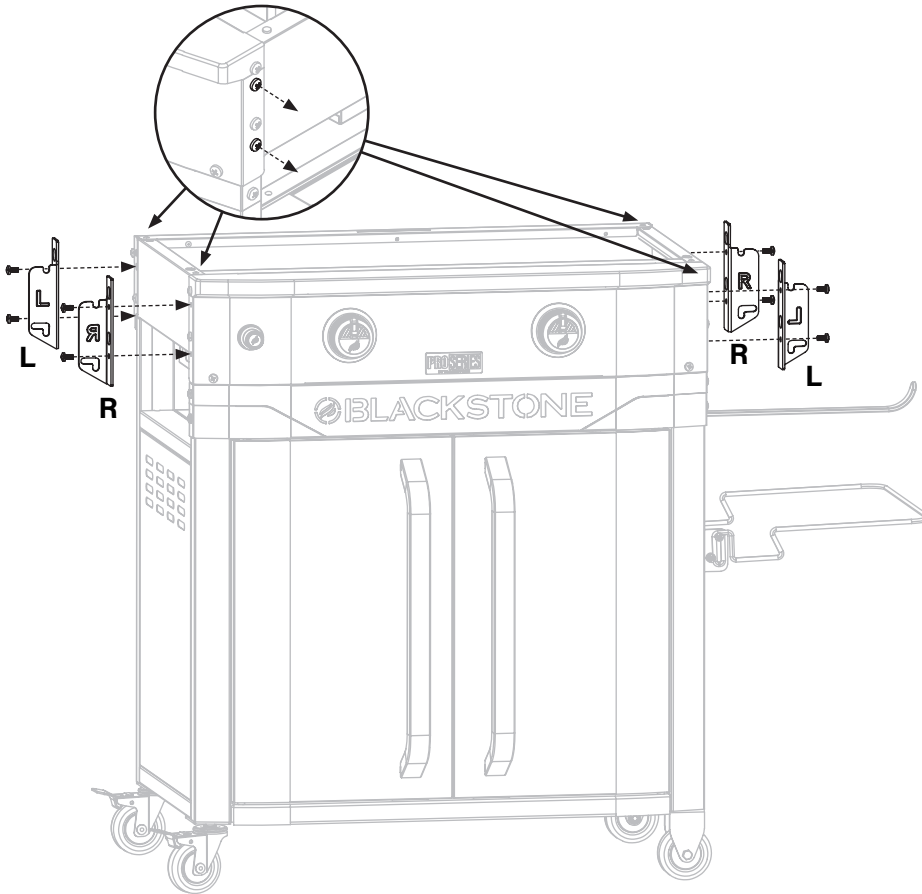


**STEP 06** Use the top two (2) pre-installed step bolts from the two (2) garbage bag holder brackets to attach the garbage bag holder to the brackets.



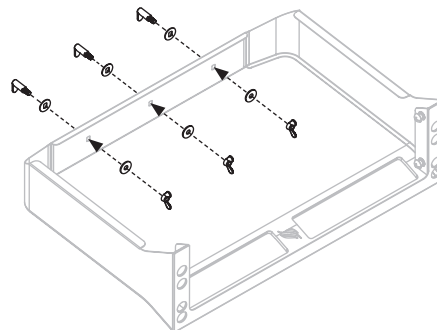


**STEP 07** Remove the second and fourth screws from the four corners of the griddle body. Use these screws to attach one (1) side shelf bracket **L** and one (1) side shelf bracket **R** to both sides of the griddle body.



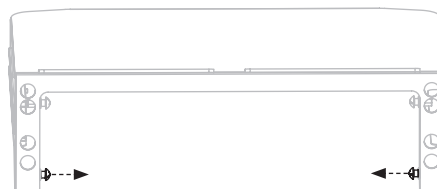
**STEP 08** Use three (3) wing screws and six (6) washers to attach three (3) side shelf hooks to the left side shelf.

Repeat with the right side shelf.



**STEP 09** Remove the two (2) lower step bolts from the left side shelf.

Repeat with the right side shelf.





**⚠ WARNING**

Do not touch the handle while unit is hot.

**⚠ CAUTION**

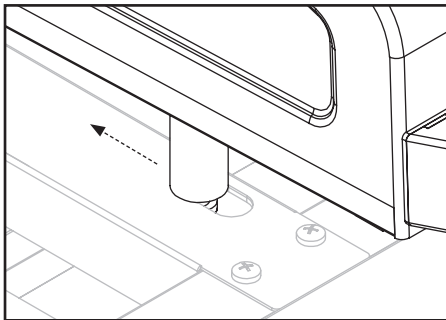
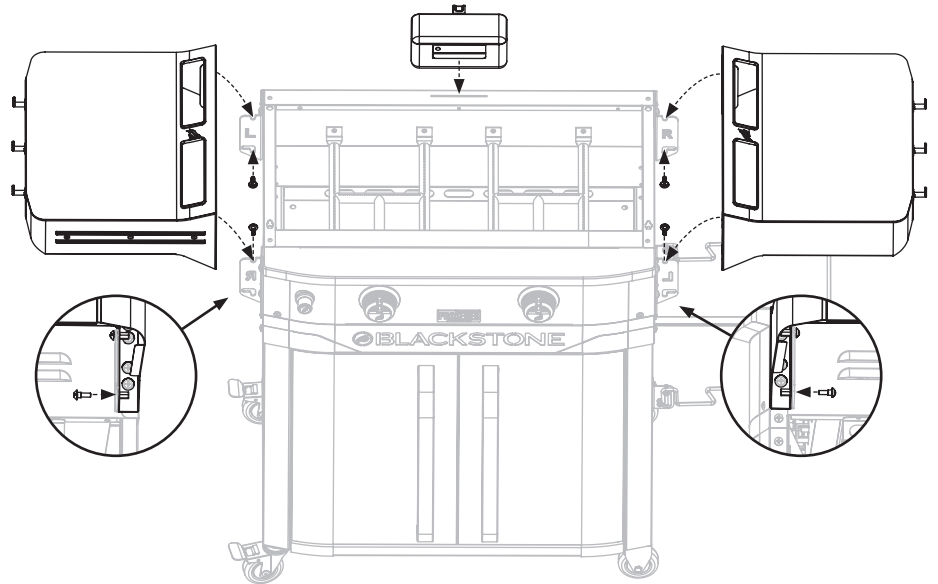
- Maximum weight on the side shelf is 10 lbs (4.5 kg).
- The side shelf may get hot while griddle is in use.

ENGLISH

**STEP 10** Hook the left and right side shelves' upper step bolts onto the side shelf brackets on the left side of the griddle body.

Use the lower step bolts to secure the left and right side shelves to the side shelf brackets.

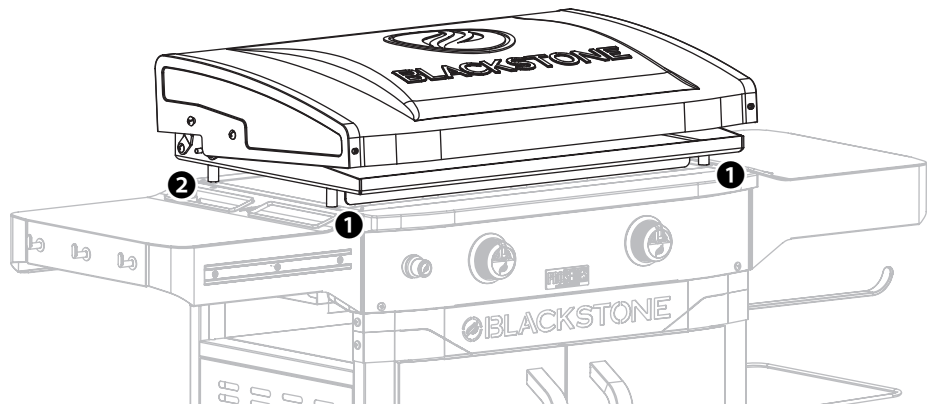
Hang the grease cup in the slot on the back of the griddle body.



Place the two front pins into the front locking holes and push the griddle top and hood back. Then, set the two rear pins into the rear holes.

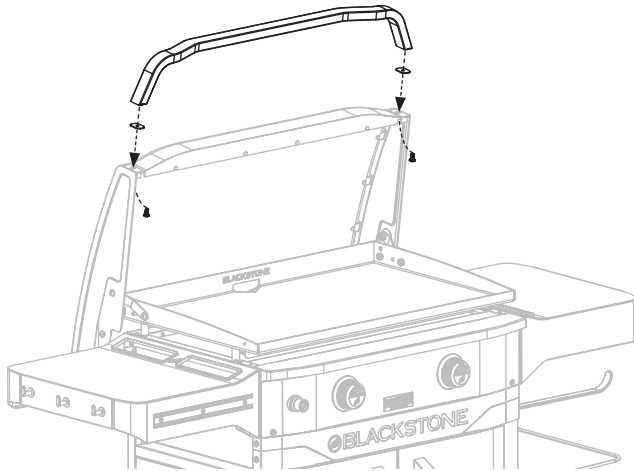
**STEP 11** **With the help of another person,** place the griddle top and hood onto the griddle body by aligning the two (2) front pins with the front locking holes.

- 1 Ensure that the front pins are seated in the front holes, then push the griddle top and hood back to lock the griddle in place.
- 2 Set the rear pins in the rear holes.

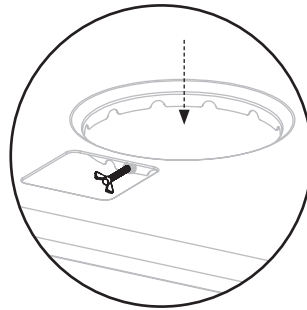
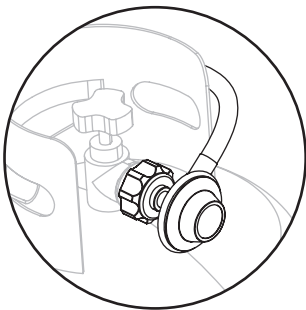




**STEP 12** Use the two (2) pre-installed M6x12 screws in the hood handle to install the hood handle and two (2) mica sheets to the front of the hood.

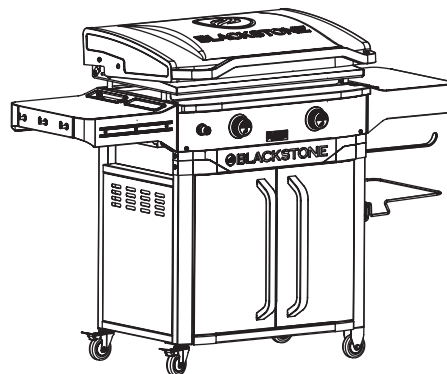


**STEP 13** Connect the propane tank (not included) and set it on the cart base. Tighten the cart base wing screw to secure. (Please reference the Connection & Removal section of the Fuel chapter.)



**STEP 14** Proceed to the Griddle Seasoning Instructions section of the Care & Maintenance chapter.

Enjoy cooking outdoors on your Blackstone!



**ASSEMBLY VIDEOS**

View Product Assembly and Technical Support videos online at [blackstoneproducts.com/support](http://blackstoneproducts.com/support) and on YouTube @BlackstoneGriddles





**⚠ DANGER**

An LPG cylinder not connected for use should NOT be stored in the vicinity of this or any other appliance.

- LPG cylinders should only be stored outside and in a cool, dry place.
- An LPG cylinder should NOT be stored under or near the appliance, in reach of children, or in a building, garage, or any other enclosed area.
- NEVER leave an LPG cylinder inside a vehicle which may become overheated by the sun.

If the information above is not followed exactly, a fire causing death or serious injury may occur.

**⚠ DANGER**

- NEVER fill an LPG cylinder beyond 80% full.

An overfilled or improperly stored cylinder is a hazard due to possible gas release from the safety relief valve. This could cause intense fire with risk of property damage, serious injury or death.

If you see, smell or hear gas escaping, immediately get away from the LPG cylinder and appliance and call fire department.

ENGLISH

# FUEL | 20 LB. (9 KG) PROPANE TANK

## Section 01

### LPG CYLINDER REQUIREMENTS

#### LPG CYLINDER REQUIREMENTS

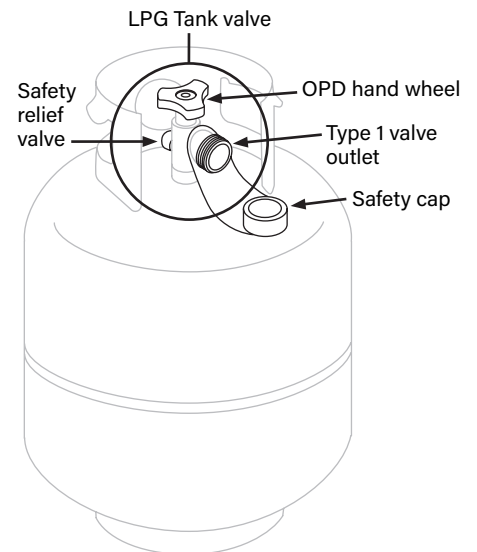
The LPG Tank used with your griddle must meet the following requirements:

- Date tested by a LPG supplier within five years of use.
- Size: 18 x 12 in (45 x 30 cm), 20 lb (9 kg).
- Supply system must be arranged for vapor withdrawal.
- Tank must include collar to protect LPG Tank valve.

#### LPG TANK VALVE REQUIREMENTS

LPG Tank valve must have:

- Type 1 valve outlet (thread on the outside).
- Safety relief valve.
- UL listed Overfill Protection Device (OPD). **This OPD safety feature is identified by a unique triangular hand wheel.**



**Always keep new and exchanged LPG Tanks in upright position during use, transit or storage.**





## Section 02

# CONNECTION & REMOVAL

### REGULATOR SAFETY

If regulator fails in unit, it must be replaced with a Blackstone approved model and must only be replaced by a professionally licensed, authorized dealer. Failure to comply will void the warranty.

### CONNECTING THE REGULATOR TO THE LPG TANK

**Leak test new and exchanged LPG tanks BEFORE connecting to griddle. Please reference the Leak Test Instructions section.**

**STEP 01** LPG tank must be properly secured to griddle.  
(Please reference the Assembly Guide chapter.)

Ensure that the control knobs are turned to OFF.

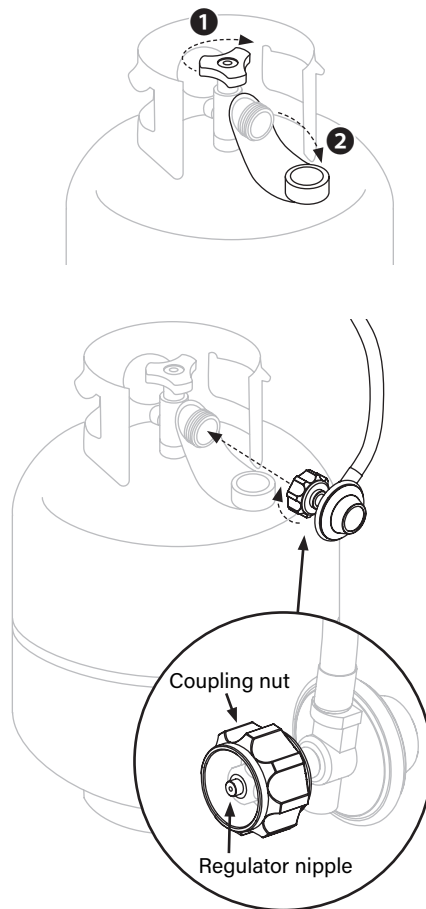
**STEP 02** ① Ensure that the LPG tank is OFF by turning the OPD hand wheel clockwise to a full stop.

② Remove the safety cap from the Type 1 valve outlet.

**STEP 03** Hold the regulator in a straight line with the Type 1 valve outlet so as not to cross thread the connection.

Center and insert the regulator nipple into the Type 1 valve outlet.

Hand-tighten the coupling nut in a clockwise direction.



#### ⚠ WARNING

Keep the fuel supply hose away from any heated surface(s).

#### ⚠ WARNING

Never attempt to attach this griddle to the self-contained LPG system of a camper trailer, recreational vehicle or motor home.

Do not use the LPG Tank until it has been leak-tested.

#### ⚠ WARNING

The LPG supply cylinder must be disconnected when this appliance is not in use.

#### ⚠ WARNING

LPG is highly flammable and may ignite unexpectedly when mixed with air.

#### ⚠ CAUTION

LPG is nontoxic, odorless and colorless when produced. For safety and easy detection, LPG has been given an odor similar to rotten cabbage.

**PLEASE NOTE:** If connection cannot be completed, disconnect regulator and repeat step 03.

**If still unable to complete connection, do not use this regulator!**

**⚠ DANGER**

Do not insert any tool or foreign objects into the valve outlet or safety relief valve. The valve may be damaged resulting in a leak. **Leaking propane may result in explosion, fire, severe personal injury, or death.**

If a leak is detected at any time, STOP and call the fire department.

If unable to stop a gas leak, immediately close LPG tank valve and immediately contact an LPG gas supplier or fire department.

**⚠ WARNING**

Do not insert a POL transport plug (plastic part with external threads) into the Type 1 valve outlet. It will defeat the Safety relief valve feature.

**REMOVING THE LPG TANK FOR TRANSPORT/STORAGE**

**STEP 01** Ensure that the control knobs are turned to OFF.

**STEP 02** ① Ensure that the LPG tank is OFF by turning the OPD hand wheel clockwise to a full stop.

② Turn the coupling nut counter-clockwise by hand to remove the regulator. (Do not use tools to disconnect.)

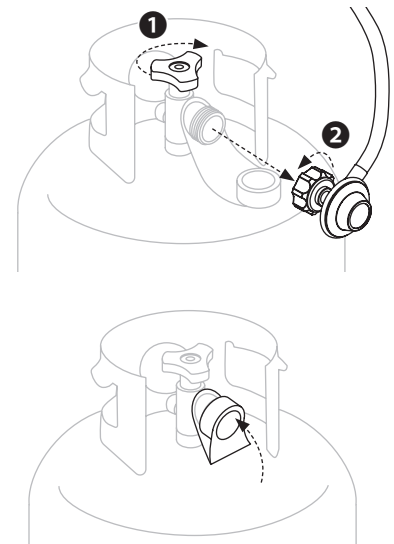
**STEP 03** Place the safety cap onto the Type 1 valve outlet.

**Only use the type of safety cap on the cylinder valve outlet that is provided with the cylinder valve.** (Other types of caps or plugs may result in leakage of propane.)

- A disconnected LPG tank in storage or during transportation must have a safety cap installed.
- Failure to use safety cap as directed may result in serious personal injury and/or property damage.

**FITTINGS & HOSES**

- Annual checking and tightening of metal fittings is recommended.
- Before each use, check to see if hoses are cut or worn.
- Replace damaged hoses before using appliance. (Use only Blackstone approved replacement parts for valve, hose, or regulator.)

**FILLING & EXCHANGE**

Use only those reputable exchange companies that inspect, precision fill, test and certify their tanks. LPG dealer must purge new tank before filling.

Volume of propane in tank will vary by temperature. A frosty regulator indicates gas overfill. Immediately close LPG Tank valve and call local LPG gas dealer for assistance.

Do not release liquid propane (LPG) gas into the atmosphere.

To remove gas from LPG Tank, contact a certified LPG dealer or local fire department for assistance.

Exchange tank only for an OPD safety feature-equipped tank.

**PLEASE NOTE:** Your retailer can help you match a replacement tank to your griddle.



## Section 03

# LEAK TEST INSTRUCTIONS

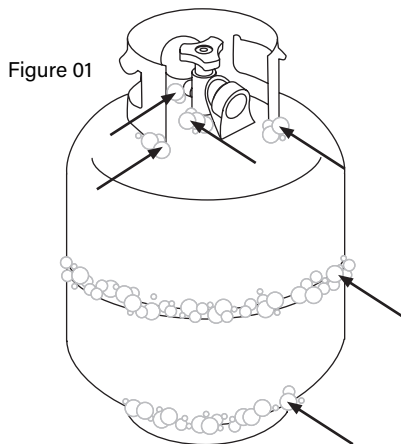
### LEAK TEST SAFETY

- Leak test must be repeated each time LPG tank is exchanged or refilled.
- Do not smoke during leak test.
- Do not use an open flame to check for gas leaks.
- Appliance must be leak tested outdoors in a well-ventilated area, away from ignition sources such as gas fired or electrical appliances.
- During leak test, keep appliance away from open flames or sparks.
- Use a clean paintbrush and a 10/90 mild soap and water solution.

### LEAK TEST: LPG TANK

**STEP 01** Brush soapy solution onto joint areas of tank. (Indicated by arrows in figure 01.)

**Leaks are indicated by growing bubbles.**



### LEAK TEST: VALVES, HOSE & REGULATOR

**STEP 01** Ensure that the control knobs are turned to OFF.

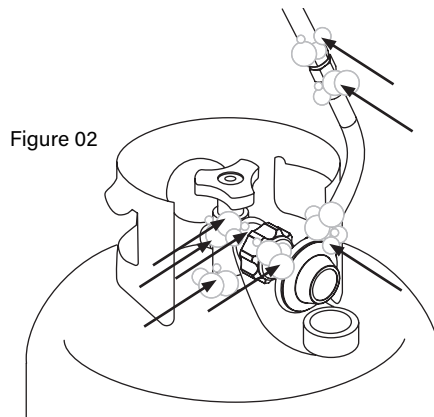
Ensure that the regulator is tightly connected to LPG tank.

Completely open the LPG tank by turning the OPD hand wheel counterclockwise.

**If you hear a rushing sound, turn gas off immediately.** There is a major leak at the connection. Correct before proceeding.

**STEP 02** Brush soapy solution onto joint areas of valves and regulator. (Indicated by arrows in figure 02.)

**Leaks are indicated by growing bubbles.**



**STEP 03** Immediately close the LPG tank by turning the OPD hand wheel clockwise and re-tighten connections. If leaks cannot be stopped **DO NOT TRY TO REPAIR.**

### ⚠ WARNING

Keep the LPG container valves closed at all times unless the LPG system is in use or the container is being refilled.

### ⚠ WARNING

If growing bubbles appear during leak test, do not use or move the LPG bottle. Immediately contact an LPG supplier or fire department.

### ⚠ CAUTION

**DO NOT USE HOUSEHOLD CLEANING AGENTS.** Damage to gas valve, hose, and regulator components may result.

### NEED HELP?

Register your Blackstone product at [blackstoneproducts.com/register](https://blackstoneproducts.com/register) and visit us online at [blackstoneproducts.com/support](https://blackstoneproducts.com/support) for replacement parts, assembly and operation questions.





**⚠ WARNING**

Do not lean over the appliance while lighting.

**⚠ WARNING**

If ignition does NOT occur in 5 seconds, turn burner controls OFF, wait 5 minutes and repeat lighting procedure.

If burner does not ignite with open valve, gas will continue to flow out of burner and could accidentally/inadvertently ignite with risk of injury.

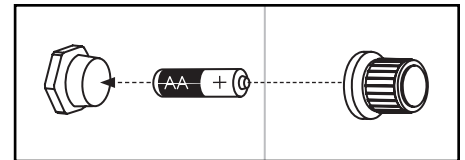
ENGLISH

# IGNITION | BATTERY POWERED

## PROPANE BURNER OPERATION

For proper ignition and operation of the appliance follow the steps below.

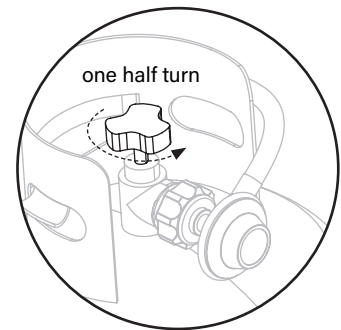
**STEP 01** In order for the ignitor button to work properly, ensure that the battery is installed correctly.



**STEP 02**

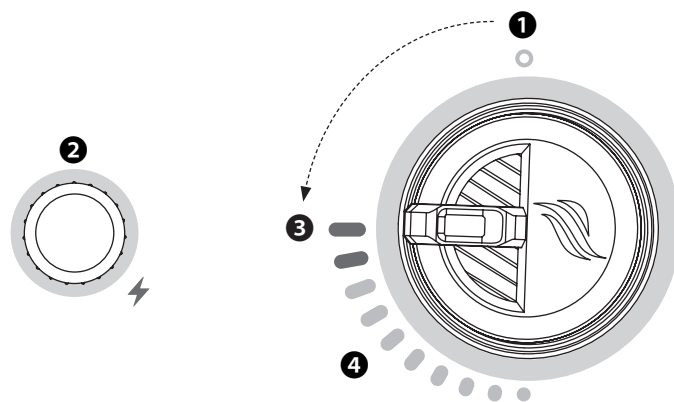
1 Ensure that the control knob is turned to OFF.

**STEP 03** Ensure that the LPG tank is properly connected to the unit. Turn gas ON at the LPG cylinder by slowly turning the OPD handwheel halfway.



**STEP 04**

- 2 Push and hold the ignitor button.
- 3 Push and turn the control knob counter-clockwise to HIGH. (Release the ignitor button when the burner lights.)
- 4 Adjust the temperature to desired level.





# TROUBLESHOOTING

Visit [BLACKSTONEPRODUCTS.COM/SUPPORT](http://BLACKSTONEPRODUCTS.COM/SUPPORT) for additional troubleshooting.

## Section 01

### BATTERY POWERED IGNITION

#### SYMPTOMS

- 01. Burner will not Light with ignition system
- 02. Pressing the ignitor button does not result in a clicking sound

If ignition does not occur in 5 seconds, turn the burner controls off, wait 5 minutes and repeat the lighting procedure.

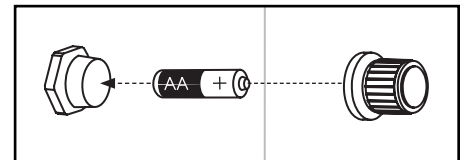
If this does not work, to determine the cause, please try to ignite your griddle with a match. (Please reference the Match Lighting Instructions in the Cleaning the Burner Assembly section of the Care & Maintenance chapter.)

*If you CAN ignite your griddle with a match*

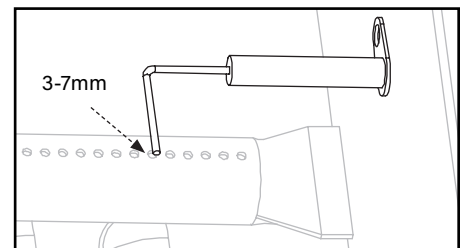
POSSIBLE CAUSES	SOLUTION
01. Dead battery or no battery.	Replace with new battery.
02. Battery installed incorrectly.	Ensure that the battery is installed negative end first.
03. Ignitor wire misaligned.	Ensure that the ignition needle is positioned 1/8" to 1/4" away from the burner tube, positioned above a burner hole.
04. Damage to the ignition system.	Contact customer service for replacement parts.

*If you CAN NOT ignite your griddle with a match*

POSSIBLE CAUSES	SOLUTION
05. Burner tubes are not receiving fuel.	Please reference the Gas Flow section of the Troubleshooting Chapter.



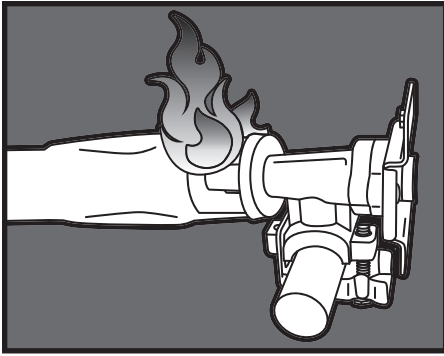
Insert one (1) AA battery (not included) into the battery socket with the positive terminal facing out, then screw on the ignitor button until tight. Be careful to not over tighten.



Ensure that the ignition needle is positioned 3-7mm away from the burner tube, positioned above a burner hole.



## Section 02 GAS FLOW



### SYMPTOMS

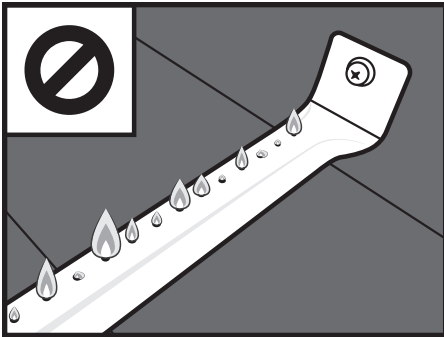
- 01. A flame is coming out of the air gate.

### POSSIBLE CAUSES

- 01. Something is blocking the venturi in the burner tube. This is not allowing the propane to flow through the burner, causing the flame to back out the air gate.

### SOLUTION

Clean the burner assembly to remove the obstruction. (Please reference the Cleaning the Burner Assembly section of the Care & Maintenance chapter.)



### SYMPTOMS

- 01. Burner flames are yellow or irregular.

### POSSIBLE CAUSES

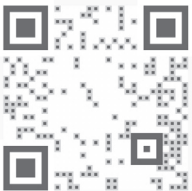
- 01. Something is blocking the air gate for the burner. This is blocking oxygen from mixing with the propane correctly to get healthy flames.

### SOLUTION

Check the air gates in your burner. If you have adjustable air shutters over your air gates, make sure that they are completely open. If your burners have bug shields, clean any spider webs, soot, or debris off the bug shield. Clean any other obstructions out of air gates.

### TECHNICAL SUPPORT:

Scan QR code for more videos or visit the Blackstone YouTube channel at [youtube.com/blackstonegriddles](https://youtube.com/blackstonegriddles)





**SYMPTOMS**

- 01. Appliance will not achieve a high heat or heats unevenly.
- 02. Burner flames start strong, then immediately drop to low even when burner is set to high position.
- 03. Flame height drops when a second burner is lit.
- 04. Flames do not extend the full length of the burner, or only run on one side of the burner.
- 05. Burner flames are inconsistent.

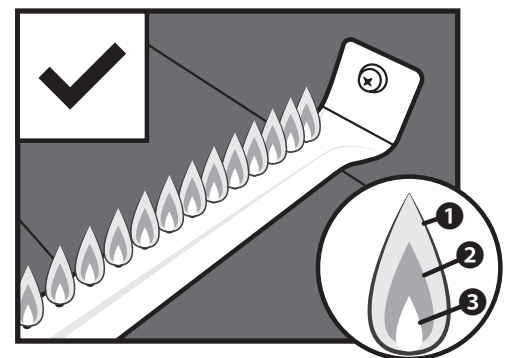
**POSSIBLE CAUSES**

**SOLUTION**

01. LPG cylinder is empty or low.	Refill or replace the propane tank.
02. Obstructions in the burner, gas jets, or fuel rail.	Clean the burner, jets, and gas hose. (Please reference the Cleaning the Burner Assembly section of the Care & Maintenance chapter.)
03. United States regulations require that all regulators contain a flow limiting device for consumer safety. This device measures the amount of propane going through the regulator to ensure the levels are safe. If the flow rate through the regulator is too high (a symptom of a large leak), the flow limiting device will trigger, restricting the flow of propane to reduce the chance of a dangerous fire. This safety system can accidentally be tripped by opening a propane tank too quickly or opening the propane tank when a burner knob is not in the off position.	<p>This safety system can be reset by:</p> <p>Moving the burner knobs to the off position, closing the propane tank, and disconnecting the regulator from the propane tank.</p> <p>Wait five minutes to allow the pressure to dissipate, then reconnect the regulator to the propane tank and slowly open the OPD handwheel one half turn.</p> <p>Ignite your appliance as described in the Ignition chapter.</p>
04. Regulator stuck in safety position.	Contact customer service for replacement parts.

**BURNER FLAME PATTERN**

Your appliance's burners are designed to mix oxygen and propane at a rate that allows for optimal flames. Should the burner's holes, air gate, or venturi get blocked, it will affect the propane and air mixture, causing low or inconsistent flames, or flames coming from the air gate.



Healthy flames might have a few flickers of yellow color ①, then a dark blue color ②, followed by a vibrant blue by the burner tube ③.

**⚠ WARNING**

When not in use, turn unit controls and gas source OFF.

**⚠ WARNING**

The appliance must be isolated from the gas supply piping system by closing its individual manual shutoff valve during any pressure testing of the gas supply piping system at test pressures equal to or less than 1/2 psi (3.5 kPa).

**⚠ WARNING**

This appliance will be hot during and after use. Use insulated oven mitts or gloves for protection from hot surfaces or splatter from cooking liquids.

**⚠ CAUTION**

**NEVER** handle hot parts with unprotected hands.

**⚠ CAUTION**

**DO NOT** use Citrisol, abrasive cleaners, de-greasers or a concentrated cleaner on plastic parts. **Damage to and failure of parts may result.**

# CARE & MAINTENANCE

*Regularly clean your appliance between uses, especially after extended periods of storage. In order to extend the life and condition of unit, follow best practices detailed in this manual.*

## Section 01

### GENERAL CARE

#### GENERAL CLEANING

*Ensure that the appliance and its components are sufficiently cool before cleaning.*

- Clean your appliance often, preferably after each use.
- Be sure to keep the ventilation opening(s) of the cylinder enclosure free and clear from debris.
- Baked-on grease deposits may require the use of an abrasive plastic cleaning pad. Use only in direction of brushed finish to avoid damage.
- DO NOT use abrasive pad on areas with graphics.
- If a bristle brush is used to clean any of the cooking surfaces, ensure no loose bristles remain on cooking surfaces prior to cooking.

**PLASTIC PARTS:** Wash with warm soapy water and wipe dry.

**PAINTED SURFACES:** Wash with mild detergent or nonabrasive cleaner and warm soapy water. Wipe dry with soft nonabrasive cloth.

**STAINLESS STEEL SURFACES:** To maintain appliance frame's high quality appearance, wash with mild detergent and warm soapy water. Wipe dry with a soft cloth after each use.

#### AFTER EACH USE

Ensure that any part of the appliance that gets hot and experiences grease build up is cleaned before next use. Otherwise, a fire could occur.





## STORAGE

- In order to extend and maintain the life and condition of your appliance, we strongly recommend that the unit be covered when left outside for any length of time, especially during the winter months.
- Take care to always completely dry your appliance before storing and keep away from rain and sprinklers.
- Cover the burners with aluminum foil in order to prevent insects or other debris from collecting in the burner holes.
- When gas supply is connected to appliance, store appliance outdoors in a well-ventilated space and out of reach of children.
- Store appliance indoors **ONLY** if gas supply is turned off, disconnected, removed from appliance and stored outdoors.
- When removing appliance from storage, clean burner assembly before starting appliance. (Please reference the Cleaning the Burner Assembly section.)

## VALVE CHECK

*Ensure gas is off at the supply shut off valve before checking appliance valves. Knobs must be turned to OFF position.*

**STEP 01** To check valves, push in knobs and release. Knobs should spring back.

**If knobs do not spring back, replace valve assembly before using appliance.**

**STEP 02** Rotate knobs to LOW position then turn back to OFF position. Knobs should turn smoothly.

---

### COVER FIT GUIDE

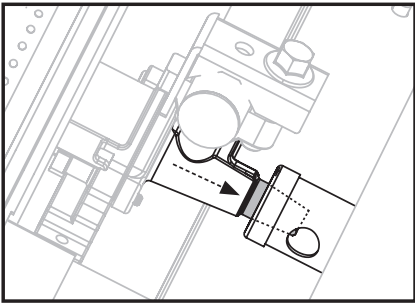
Visit us online at  
**[blackstoneproducts.com/support](https://blackstoneproducts.com/support)**  
to find a cover that will fit your appliance.





**WARNING**

Ensure that the fuel nozzle is housed within the burner opening.



**Section 02**

**CLEANING THE BURNER ASSEMBLY**

*Unit burners vary, however these instructions apply to all units. Clean burner assembly and check burner for damage. If any large cracks or holes are found, replace burner.*

**STEP 01** Ensure that the gas is turned OFF at control knobs and gas supply. Remove the cooking top.

**STEP 02** Carefully detach and remove the burner.



**STEP 03** Run a narrow bottle brush through each burner tube several times. (DO NOT use wire brushes)

**Additional Methods Include:**

- a** Run a stiff wire bent into a small hook through each burner tube several times.
- b** Use an air hose to force air into burner tube and out burner ports. Check that air blows through each hole. (Wear eye protection)



**VIDEO TUTORIAL**

*How to Clean Your Burner Tube | Blackstone Griddle*



[youtube.com/watch?v=xKQTCrFCzf8](https://www.youtube.com/watch?v=xKQTCrFCzf8)

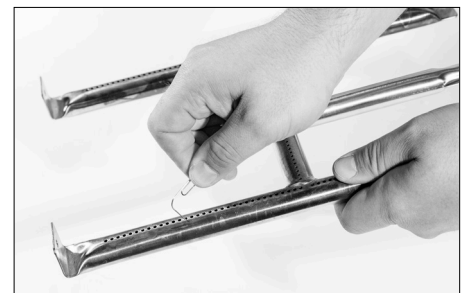


**STEP 04** Brush entire outer surface of burner to remove grime.



**STEP 05** Clean any blocked ports with stiff wire such as an open paper clip. Then, carefully replace burners and reattach.

**VERY IMPORTANT:** Burner tubes must be reengaged with the valve openings.





## BURNER MAINTENANCE

*In most circumstances, burning residue off after cooking will keep burner clean.*

- Ensure that the flow of combustion and ventilation air is not obstructed.
- Burner should be removed and cleaned annually or whenever heavy build-up or insects/insect nests are found in order to ensure that there is no blockage in the burner portholes or venturi tubes.
- Use pipe cleaner to clear obstructions. A wire brush may be used to remove corrosion from the burner surfaces.

## MATCH LIGHTING INSTRUCTIONS

*Before beginning, check for gas leaks. (Please reference the Leak Test Instructions in the Fuel chapter.)*

**STEP 01** Ensure control knob is in OFF position.

**STEP 02** Remove cooking top.

**STEP 03** Light a match (or long lighter) no shorter than 11 inches long. Place the flame on the right or left side of the burner.

**STEP 04** Push in and turn the control knob to the HIGH position. Ensure burner lights and stays lit.

## BURNER FLAME CHECK

*Always check burner flame before use.*

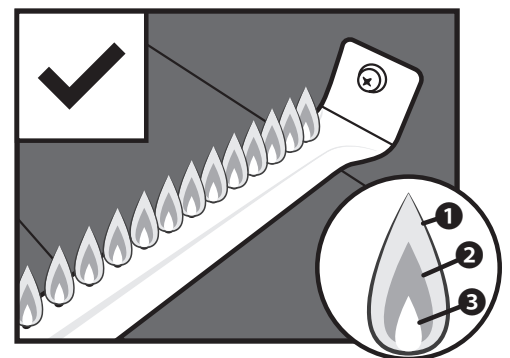
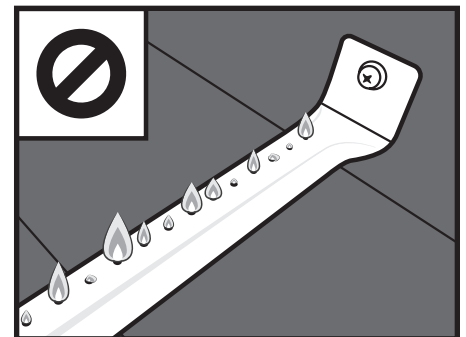
**STEP 01** Light burners and rotate knobs from high to low. When knob is at high, flames should be larger than when knob is at low.

**STEP 02** Perform burner flame check by looking below cooking top on the side of unit to view burners below.

If there is a sudden drop or low flame issue, please reference the Troubleshooting chapter.

### ⚠ WARNING

A clogged burner tube can lead to a fire beneath the appliance.



Healthy flames might have a few flickers of yellow color **1**, then a dark blue color **2**, followed by a vibrant blue by the burner tube **3**.



## VIDEO TUTORIAL

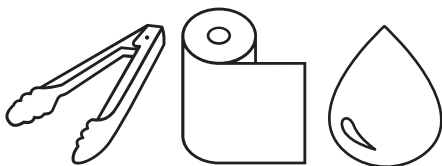
How to Season a New Blackstone Griddle | Blackstone Griddle



[youtube.com/watch?v=VspmDVnj2pl&t=3s](https://www.youtube.com/watch?v=VspmDVnj2pl&t=3s)



**PLEASE NOTE:** Small variations in manufacturing and raw materials can cause some griddles to be slightly warped. A slight warp will disappear when the griddle is heated in preparation for cooking.



**TOOLS NEEDED:** Cooking tongs, Paper towels, and Cooking oil

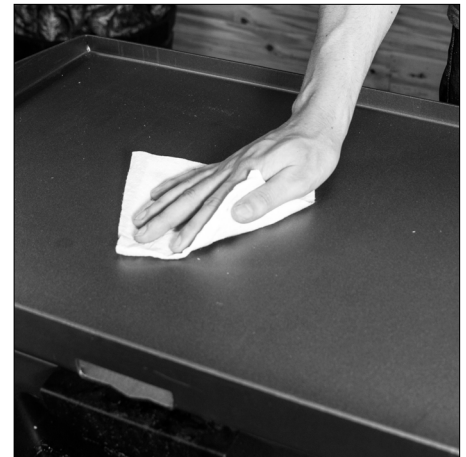
## Section 03

# GRIDDLE SEASONING INSTRUCTIONS

For best results, we recommended seasoning the griddle before cooking on griddle top.

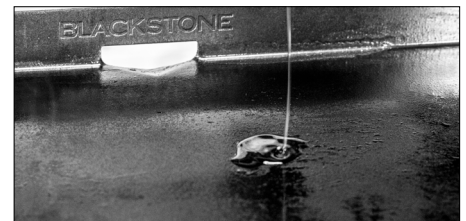
**STEP 01** Make sure griddle top is wiped clean of debris. (For first time cleaning, please reference the Cleaning Your Griddle Top section.)

**Blackstone griddle tops are pre-treated with soy oil as a protective coating. This coating may leave a discoloration on the griddle top. This is normal and will not affect the seasoning process.**



**STEP 02** Set your griddle to high heat until your griddle top changes color. Use tongs to hold a paper towel or cotton cloth and spread 2-3 tablespoons of your seasoning oil across the griddle surface.

**When seasoning your griddle top, remember to use a thin and even layer of oil—the thinner the layer of oil, the easier it will be to burn it off.**



**STEP 03** You will know it is done when it stops smoking. You will want to repeat this 3-4 times for your initial seasoning.

**The heat of the griddle will break down the oil and bond it to the metal, creating a new polymer that acts as a stick resistant and protective layer over the griddle.**





## WHY DO I NEED TO SEASON MY GRIDDLE?

Seasoning leaves a hard protective layer bonded to the steel surface.

- Natural stick resistance.
- Prevents rust and corrosion.



**⚠ CAUTION**

**Customers in humid or coastal climates may require more frequent seasonings and the use of heavier cooking oils to avoid rusting and corrosion.**

## GRIDDLE SEASONING TROUBLESHOOTING

### SYMPTOMS

01. After seasoning, there is a brownish residue on the griddle surface.

#### POSSIBLE CAUSES

01. Too much oil was used.
02. You turned off the heat too soon.

#### SOLUTION

First, turn your griddle on high and let it heat for 10-15 minutes.

Next, scrape off as much of the thickened and partially cooked oil as you can. Then, re-season with a very thin layer of oil.

### SYMPTOMS

01. After seasoning, the griddle surface is not black.
02. Food is sticking to the griddle surface.

#### POSSIBLE CAUSES

01. The corners and edges do not have the same access to the direct heat of the burners, making it harder for the seasoning to darken like the rest of the griddle top.

#### SOLUTION

Apply a thin layer of oil between cooks to maintain seasoned cooking surface. (Please reference the Cleaning your Griddle Top section.)

After using your griddle for multiple cooks, the seasoning will even out and improve.

For further troubleshooting, please reference the Troubleshooting chapter.

For Frequently asked questions, visit [blackstoneproducts.com/faq](http://blackstoneproducts.com/faq)

## WHAT OIL IS BEST TO USE?

The **Blackstone Seasoning and Cast Iron Conditioner** is the best and easiest way to get consistent results. This unique blend of oils combines the best of many different cooking oils.



### Can I use any food grade oil?

Yes, but different oils can vary in the process from the burn time, smoke point, and durability once finished.

**If you prefer to use an animal fat for seasoning, only use rendered fat (pure tallow, schmaltz, etc.) with no additives.**

**⚠ DANGER**

**DO NOT** place flammable items on side shelves near the griddle. Aerosol containers are particularly hazardous because **they can overheat and result in an explosion, fire, severe personal injury, or death.**

**⚠ WARNING**

**DO NOT** place oily or greasy towels near the griddle unit as they can spontaneously combust.

**⚠ CAUTION**

The grease cup must be removed and emptied after each use.

Do not remove the grease cup until the griddle has completely cooled.

## FOR EVERY GRIDDLE SURFACE

The **Blackstone Griddle Degreaser and Cleaning Spray** is gentle enough to clean every surface of your griddle. Use it on the griddle top, the griddle frame, or anywhere that experiences a build up of grease.



## Section 04

# CLEANING YOUR GRIDDLE TOP

*Follow these simple cleaning steps to ensure optimal performance and longevity of your Blackstone Griddle.*

**STEP 01** To clean griddle after each use, cool griddle below 300° F. Scrape food debris with spatula or straight metal scraper.



**STEP 02** Wipe down griddle surface with paper towel.



**STEP 03** Divide griddle surface into approximately 6" sections (width of scraper tool). Apply a small amount of water onto first section with a bottle and then scrape the water and debris toward the grease trap. Move to the next 6" section and repeat.

**DO NOT USE MORE THAN TWO TABLESPOONS OF WATER AT A TIME.**

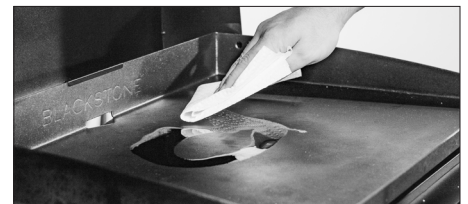
(For stuck-on food residue, use a bit of coarse salt.)



**STEP 04** Wipe again with a paper towel and dry completely.



**STEP 05** Apply thin coat of cooking oil to maintain seasoning and protect the griddle top.





## FIRST TIME CLEANING

Blackstone Griddles are pre-treated with cooking oil to prevent rust and damage during shipping. For first time use, wash griddle with hot, soapy water.

**THIS IS THE ONLY TIME YOU SHOULD USE SOAP ON THE GRIDDLE COOKING SURFACE.**

Rinse and dry completely. Proceed with seasoning instructions. (Please reference the Griddle Seasoning Instructions section.)

## PROTECTING YOUR GRIDDLE TOP

Store griddle in a cool, dry location. Always cover griddle if stored outdoors. Choose from a variety of griddle covers offered by Blackstone.

When protecting griddle with soft cover, use the “tenting” method to prevent water from accumulating on griddle top. “Tenting” involves placing an object (a bowl, tennis ball or PVC pipe) beneath soft cover in the center of griddle in order to allow water to slide off. “Tenting” helps prevent rust.

## CUTTING ON THE GRIDDLE TOP

Using a knife directly on the surface of the griddle will not harm the griddle top.

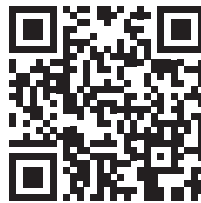
## REMOVING RUST

If rust appears on the griddle surface, rub it off with steel wool, low grit sandpaper or the **Blackstone Pumice Stone** and re-season the surface.

*Recovering your Blackstone Griddle Top*



[youtube.com/watch?v=thPE2lgnSil](https://www.youtube.com/watch?v=thPE2lgnSil)



⚠ **WARNING**

**NEVER APPLY COLD WATER ACROSS THE WHOLE SURFACE OF A HOT GRIDDLE AT ONCE.** This may cause warping.

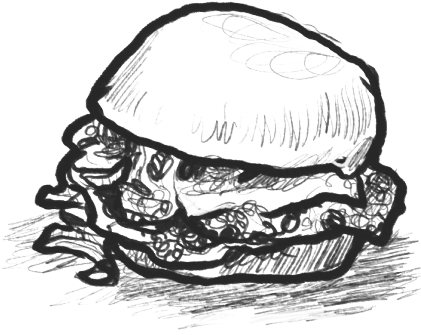
Adding a large amount of cold or frozen food (or food with significant water content) to a hot griddle may cause griddle to warp.

⚠ **CAUTION**

**DO NOT USE SOAP ON THE GRIDDLE COOKING SURFACE.** This will destroy the griddle's seasoning.

**ASSEMBLY VIDEOS**  
View Product Assembly and Technical Support videos online at [blackstoneproducts.com/support](https://blackstoneproducts.com/support) and on YouTube [@BlackstoneGriddles](https://www.youtube.com/@BlackstoneGriddles)





# RECIPES FOR LUNCH & DINNER

## OKLAHOMA FRIED ONION BURGER

Serves 4 | 7 min.

### Ingredients

- 1/2 lb of 80/20 ground beef
- 1 Vidalia (or sweet) onion (sliced paper thin)
- 4 slices American cheese
- 1/4 cup of dill pickle chips
- Salt

**STEP 01** Pre-heat your Blackstone to high heat.

**STEP 02** Make four (4) 2 oz loosely packed meatballs with the ground beef and place on the hot griddle. Add a pinch of salt over each and using your **Blackstone Burger Press**, smash them very thin.

**STEP 03** Add 2-3 ounces of thinly sliced onion over each patty.

**STEP 04** Cook for 60-90 seconds and flip so that the onions are under the patty. Add 1 slice of American cheese to each patty and then place the top bun over the cheese and then the bottom bun on top of the top bun. Cook for another 60 seconds.

**STEP 05** To plate, remove the bottom bun from the top and set on plate. Use your spatula to lift the burger with top bun and add to the bottom bun.

**STEP 06** Serve hot with a few dill pickle chips.

### VIDEO RECIPES:

Find more inspiration and recipes at



[blackstoneproducts.com/  
blogs/recipes](https://blackstoneproducts.com/blogs/recipes)



[youtube.com/c/  
BlackstoneGriddles](https://youtube.com/c/BlackstoneGriddles)



@blackstoneproducts





# RECIPES FOR BREAKFAST

## STRAWBERRIES AND CREAM PANCAKES

Recipe by Danielle Zechmann



**STEP 01** Separate egg and whisk egg white until stiff peaks form. Set aside.

**STEP 02** Make your cream cheese filling. Whisk together cream cheese, sugar, and lemon juice. Then, turn to low speed and add in whipped cream. Set aside.

**STEP 03** Get your strawberry syrup started. In a sauce pan add chopped strawberries, sugar, lemon juice and simmer on the griddle top or side burner until juices have slightly thickened. (About 20-25 mins.)

**STEP 04** In a mixing bowl, combine all dry pancake ingredients.

**STEP 05** In a separate bowl, mix egg yolk, milk, lemon juice, ricotta, butter, and vanilla.

**STEP 06** Slowly add dry ingredients and mix until combined.

**STEP 07** Gently fold the egg whites and strawberry bits into the pancake mix.

**STEP 08** Preheat Griddle to medium. Melt a tablespoon of butter on griddle and spread around. Pour 1/4 cup of pancake mix onto griddle and let cook until bubbles start to form and edges are slightly browned. About 3-4 minutes. Flip and cook another 3 minutes.

**STEP 09** Once all of your pancakes are cooked, grab a plate and start layering your pancakes. Begin with a pancake, then spread some of the cream cheese filling, and top with the strawberry syrup.

### Cream Cheese Filling

- 8 oz cream cheese, room temperature
- 3 tbsp sugar
- 2 tbsp lemon juice
- 2/3 cup whipping cream

### Strawberry Syrup

- 1 pint of strawberries cut into chunks (frozen is okay)
- 1/4 cup sugar
- 2 tbsp lemon juice

🍴 Serves 6 | ⌚ 45 min.

### Pancake Ingredients

- 1 egg, separated
- 1/2 cup milk
- 1/3 cup ricotta cheese
- 2 tbsp melted butter
- 1 tsp pure vanilla extract
- 2 tsp lemon juice
- 5 strawberries chopped into bits (frozen is okay)

### DRY INGREDIENTS

- 2/3 cup all purpose flour
- 2 tsp baking powder
- 1 tbsp sugar
- a pinch of salt

### VIDEO RECIPES:

Find more inspiration and recipes at



[blackstoneproducts.com/blogs/recipes](https://blackstoneproducts.com/blogs/recipes)



[youtube.com/c/BlackstoneGriddles](https://youtube.com/c/BlackstoneGriddles)



@blackstoneproducts



# RECIPES FOR LUNCH & DINNER

## TACOS BORRACHOS

Serves 4 | 2 - 4 hours

### Ingredients

- 12 oz of blond beer
- 2 lb of sirloin steak
- 1 bunch cilantro (finely chopped)
- 1/4 white onion (finely chopped)
- 1/4 tablespoon of black pepper
- 4 garlic cloves (chopped in big chunks)
- 1/4 cup of vegetable oil
- 24 tortillas (small, 4.5" tortillas)
- Salt (to taste)

**STEP 01** Season the sirloin steaks with salt and black pepper, making sure that you rub the salt and pepper well into the steaks.

**STEP 02** Slice the steak into small pieces.

**STEP 03** In a plastic bag, place the steak pieces, onions, garlic, and cilantro. Mix all ingredients together.

**STEP 04** Once all ingredients are mixed, add little by little the content of the bottle of beer (cold or room temperature) into the plastic bag.

**STEP 05** Take the air out of the plastic bag and let the meat marinate in the refrigerator between 2 and 4 hours.

**STEP 06** When the meat is ready, drain the beer and place the meat on a plate.

**STEP 07** Pre-heat the Blackstone griddle at medium heat for five minutes. Then, add vegetable oil to the surface and let it get to temperature for thirty seconds. Add your previously marinated steak to the Blackstone griddle.

**STEP 08** Cook the steak for about three minutes or until the steak is thoroughly cooked, and place in a bowl.

**STEP 09** Spread all remaining steak juices in the griddle, and place the tortillas on top until the tortillas are cooked (the tortillas change color slightly and they become malleable), turning the tortillas from time to time.

**STEP 10** To make the tacos, place one tortilla on top of the other (two tortillas together). With a spoon place the steak on top of the tortillas and garnish with white finely chopped onion and cilantro. You can also add your favorite salsa as well.

### VIDEO RECIPES:

Find more inspiration and recipes at



[blackstoneproducts.com/  
blogs/recipes](https://blackstoneproducts.com/blogs/recipes)



[youtube.com/c/  
BlackstoneGriddles](https://youtube.com/c/BlackstoneGriddles)



[@blackstoneproducts](https://blackstoneproducts.com)



# NORTH ATLANTIC IMPORTS LLC 1-YEAR WARRANTY

North Atlantic Imports, the manufacturer, will warranty for one year from purchase all parts, workmanship, and finishes. It will be the manufacturer's option as to whether to repair or replace any of the above items. All warranties are limited to the original purchaser only. This warranty does not cover any liability on the part of North Atlantic Imports, its agents or employees, for any indirect or consequential damages for breach of warranty. The purchaser must follow the manufacturer's usage instructions.

Under no circumstances is the manufacturer responsible for damages from the failure to operate the cooking station properly. It is the responsibility of the purchaser to establish the warranty period by verifying the original purchase date with original sales receipt.

*For more detailed explanation of the warranty, read below:*

North Atlantic Imports LLC warrants to the owner that the product covered by this agreement is free from defects in material and workmanship under normal use and service for which it was intended if, but only if, it has been operated in accordance with North Atlantic Imports LLC instructions exclusively for domestic use, and not for private or public club, institutional or commercial purposes.

North Atlantic Imports LLC's obligation under this warranty is limited to replacing or repairing, free of charge, any part or parts that may prove, to the satisfaction of North Atlantic Imports LLC, to be defective under normal home use and service within the following stated periods of time from the date of purchase; for one year from purchase, all parts, finish, and workmanship. Should any failure to conform to this warranty become apparent during applicable warranty periods stated above, the original purchaser must notify North Atlantic Imports LLC of breach of warranty within the applicable warranty period.

North Atlantic Imports LLC shall upon notice and compliance by the original purchaser with such instructions, correct such nonconformity by repair or replacement of the defective part or parts.

Correction in the manner provided above shall constitute a fulfillment of all obligations of North Atlantic Imports LLC with respect to the quality of the product.

North Atlantic Imports LLC does not warrant this equipment to meet the requirement of any safety code of any state, municipality or other jurisdiction, and the original purchaser assumes all risk and liability whatsoever resulting from the use thereof, whether used in accordance with North Atlantic Imports LLC instructions or otherwise.

This warranty does not cover and is intended to exclude any liability on the part of North Atlantic its agents, servants or employees whether under this warranty or implied by law for any indirect or consequential damages for breach on any warranty. The purchaser must

establish all applicable warranty periods pursuant to this warranty by verifying the original purchase date by producing the dated sales receipt. This warranty shall not apply to this product or any other part thereof which has been subject to accident, negligence, alteration, abuse, or misuse or which has been repaired or altered without North Atlantic written consent, outside of North Atlantic Imports LLC factory. The full manufacturer warranty is not valid for griddles purchased from unlicensed, third-party resellers, purchased at a discount due to missing or damaged parts, or purchased as a floor model; at the discretion of North Atlantic Imports.

North Atlantic Imports LLC makes no warranty whatsoever in respect to accessories or parts not supplied with it. This warranty shall apply only within the boundaries of the United States of America. This warranty gives the original purchaser specific rights, and the original purchaser may also have other rights, which vary from state to state.

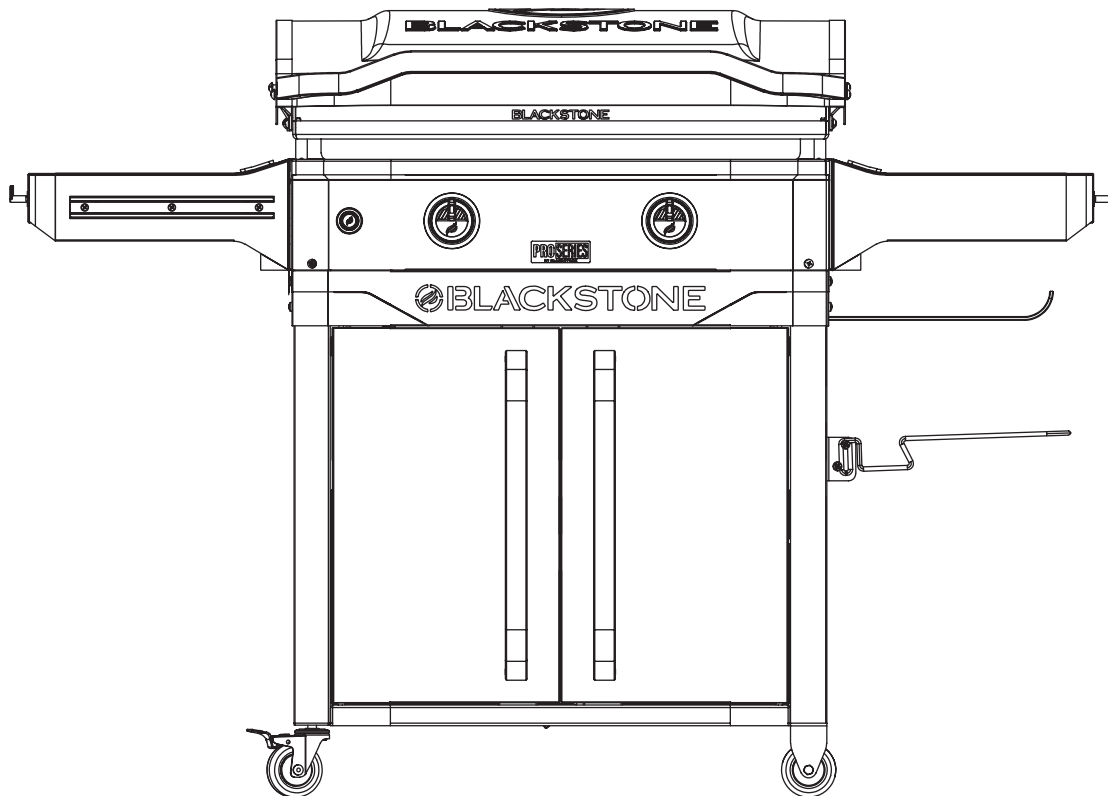


# PLAQUE CHAUFFANTE DE 28 PO

## AVEC HOTTE ET ARMOIRE



CONFORME À ANSI STD. Z 21.58-2018  
CERTIFIÉ À CSA STD. 1.6-2018  
EXTÉRIEUR APPAREILS DE CUISSON AU GAZ.



Veillez consulter [blackstoneproducts.com/support](https://blackstoneproducts.com/support) pour obtenir la dernière version de ce manuel et suivre les vidéos d'assemblage.

**⚠ ATTENTION****INSTALLATEUR/  
ASSEMBLEUR:**

Laissez ces instructions au consommateur.

**CONSOMMATEUR:**

Conservez ce manuel pour vous y référer ultérieurement.

**⚠ ATTENTION**

Ce manuel d'instructions contient des informations importantes nécessaires pour un assemblage correct et une utilisation sûre de l'appareil.

**⚠ ATTENTION**

Lisez tous les avertissements et instructions avant d'assembler l'appareil.

Suivez tous les avertissements et instructions lors de l'utilisation de l'appareil.

**⚠ ATTENTION**

Les pièces accessibles peuvent être très chaudes. Gardez les enfants et les animaux éloignés de l'appareil à tout moment.

Cet appareil n'est pas destiné à être utilisé par des enfants.

Une surveillance étroite est nécessaire lorsqu'un appareil est utilisé par ou à proximité d'enfants.

**⚠ ATTENTION**

Cet appareil n'est pas destiné à être un appareil de chauffage et ne doit jamais être utilisé comme tel.

**Ne l'utilisez pas à des fins autres que celles prévues.**

**Ne modifiez pas cet appareil.**

**⚠ DANGER**

Ne placez jamais d'articles à moins de 20 cm (3 po) de la surface de cuisson pendant l'utilisation. Cette zone peut devenir très chaude et potentiellement endommager les objets accessoires placés trop près.

**⚠ DANGER**

**Ne pas stocker ni utiliser d'essence ou d'autres liquides ou vapeurs inflammables à proximité de cet appareil ou de tout autre appareil.**

**Ne stockez pas de bouteille de GPL de recharge sous ou à proximité de cet appareil.**

Si ces instructions ne sont pas suivies à la lettre, un incendie causant la mort ou des blessures graves peut se produire.

**⚠ DANGER****SI VOUS SENTEZ DU GAZ:**

1. **Coupez le gaz à l'appareil.**
2. **Éteignez toute flamme nue.**
3. **Ouvrez le couvercle.**
4. **Si l'odeur persiste, éloignez-vous de l'appareil et appelez immédiatement votre fournisseur de gaz ou votre service d'incendie.**

Le non-respect de ces instructions peut entraîner un incendie ou une explosion pouvant entraîner des dommages matériels, des blessures corporelles ou la mort.

**⚠ DANGER**

En cas d'incendie, éloignez-vous de l'appareil et appelez immédiatement votre service d'incendie. N'essayez pas d'éteindre un feu d'huile ou de graisse avec de l'eau.

**⚠ DANGER**

**UTILISER UNIQUEMENT DANS DES ZONES BIEN VENTILÉES.**

**RISQUE DE MONOXYDE DE CARBONE - L'UTILISATION DE CET APPAREIL DANS UN ESPACE CLOS PEUT ENTRAÎNER LA MORT.**

**⚠ DANGER**

- Cet appareil est destiné à un usage extérieur uniquement et ne doit pas être utilisé dans un bâtiment, un garage ou tout autre espace clos.
- Cet appareil ne doit pas être utilisé sur ou sous un balcon ou une terrasse d'appartement ou de copropriété.

**⚠ DANGER**

**N'UTILISEZ PAS CET APPAREIL À L'INTÉRIEUR OU SUR DES VÉHICULES RÉCRÉATIFS, DES CARAVANES, DES TENTES, DES EMBARCATIONS MARINES, DES BATEAUX, DES VOITURES, DES MAISONS MOBILES OU DES ENDROITS SIMILAIRES.**



# CONSEILS DE CUISINE

## À FEU DOUX:

*Cuit lentement et nécessite plus de temps.*

*Décompose le tissu conjonctif et la graisse pour un repas tendre et moelleux.*

- Coupes de viande grasses et épaisses. (par exemple: steak de paleron, pointe de poitrine, hauts de cuisse de poulet, côtes levées)
- Fruits de mer délicats (ex: poulpe, calmar)

## TEMPÉRATURE DE CUISSON MOYENNE:

*Chaleur stable, prend le temps moyen que vous attendez pour des crêpes, des œufs, des toasts et plus encore.*

*Pour les aliments plus sensibles à la chaleur. Saisir sans trop cuire.*

- Poisson (entier ou en morceaux)
- La plupart des fruits de mer
- Légumes (à la vapeur avec le **Blackstone Basting Dome** pour une meilleure saveur)
- Crêpes
- Des œufs

## FORTE CHALEUR:

*Cuit les repas rapidement et en peu de temps.*

*Une cuisson lente dessécherait ces coupes et les rendrait horribles à manger car elles sont plus faibles en gras.*

- Coupes maigres de viande. (par exemple: poitrine de poulet, filet mignon, steak, flanc)

*Cet appareil est certifié pour une utilisation aux États-Unis et au Canada. Ne pas modifier pour une utilisation dans un autre pays. Toute modification entraînerait un risque pour la sécurité.*

## RECETTES VIDÉO

Apprenez à utiliser votre nouveau Blackstone avec nos chefs Blackstone!

Cuisinez facilement des milliers de recettes appétissantes pour le petit-déjeuner, le déjeuner et le dîner. De la viande rouge et des fruits de mer au végétalien et aux desserts, vous pouvez cuisiner n'importe quoi, n'importe quand, n'importe où.



[youtube.com/c/BlackstoneGriddles](https://www.youtube.com/c/BlackstoneGriddles)

## ⚠ ATTENTION

Este producto puede exponerlo a sustancias químicas, incluido el ftalato de di (2-etilhexilo) (DEHP), que según el estado de California causa cáncer y defectos de nacimiento u otros daños reproductivos, y el ftalato de diisononilo (DINP), que Estado de California para causar cáncer. Para obtener más información, visite [www.P65Warnings.ca.gov](http://www.P65Warnings.ca.gov).

## ⚠ ATTENTION

Los combustibles utilizados en los artefactos de gas propano licuado y los productos de la combustión de dichos combustibles pueden exponerlo a sustancias químicas, incluido el benceno, que el Estado de California considera que causa cáncer y causa defectos de nacimiento u otros daños reproductivos. Para obtener más información, vaya a [www.P65Warnings.ca.gov](http://www.P65Warnings.ca.gov).

## PRÉCAUTIONS DE SÉCURITÉ LORS DE L'INSTALLATION

L'installation de l'appareil doit être conforme aux normes locales ou, en l'absence de normes locales, aux codes américains relatifs au gaz combustible (National Fuel Gas Code), l'ANSI Z223.1/NFPA 54, à l'installation de gaz naturel et propane (Natural Gas and Propane Installation Code) CSA B149.1, à l'entreposage et la manipulation du propane (Propane Storage and Handling Code) B149.2 ou les normes pour les véhicules de loisirs (Standard for Recreational Vehicles) NFPA 1192, et la CSA Z240 RV Series, le code pour les véhicules récréatifs (Recreational Vehicle Code), le cas échéant.



# TABLE DES MATIÈRES

*Il incombe au consommateur de s'assurer que l'unité est correctement assemblée, installée et entretenue. Si vous ne suivez pas les instructions de ce manuel, vous risquez des blessures corporelles et/ou des dégâts matériels.*

## CONTENU

<b>01. ENREGISTRER VOTRE PRODUIT</b> .....	<b>01</b>
<b>02. POUR VOTRE SÉCURITÉ</b> .....	<b>02</b>
Section 01. Sécurité alimentaire .....	02
Section 02. Sécurité de appareil à gaz .....	03
<b>03. GUIDE DE MONTAGE</b> .....	<b>04</b>
<b>04. CARBURANT   RÉSERVOIR DE PROPANE DE 9 KG (20 LB)</b> .....	<b>12</b>
Section 01. Exigences relatives aux bouteilles de GPL .....	12
Section 02. Raccordement et retrait .....	13
Section 03. Instructions d'essai d'étanchéité .....	15
<b>05. ALLUMAGE   ALIMENTÉ PAR BATTERIE</b> .....	<b>16</b>
<b>06. DÉPANNAGE</b> .....	<b>17</b>
Section 01. Allumage alimenté par batterie .....	17
Section 02. Flux du gaz .....	18
<b>07. ENTRETIEN ET MAINTENANCE</b> .....	<b>20</b>
Section 01. Entretien général .....	20
Section 02. Nettoyage du brûleur .....	22
Section 03. Instructions d'assaisonnement plaque chauffante .....	24
Section 04. Nettoyer le dessus de votre plaque chauffante .....	26
<b>08. RECETTES</b> .....	<b>28</b>
<b>09. GARANTIE</b> .....	<b>31</b>

## MESSAGES RELATIFS À LA SÉCURITÉ

Lisez et suivez tous les avertissements qui se trouvent dans ce manuel.

### DANGER

Indique une situation extrêmement dangereuse qui, si elle n'est pas évitée, peut entraîner des blessures graves, voire mortelles.

### ATTENTION

Indique la possibilité de blessures corporelles graves si les instructions ne sont pas suivies.

### MISE EN GARDE

Indique une situation potentiellement dangereuse qui, si elle n'est pas évitée, peut entraîner des blessures légères ou modérées.





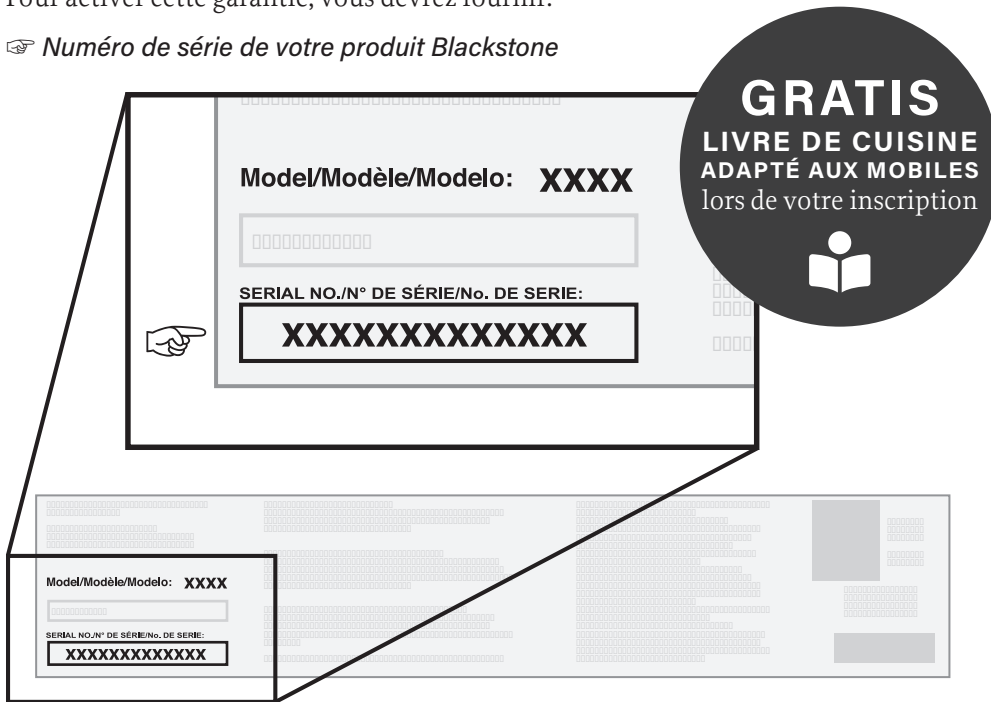
# ENREGISTRER VOTRE PRODUIT

*L'enregistrement permet à nos représentants du service client de fournir rapidement une assistance avec votre produit Blackstone si nécessaire.*

La garantie d'un an de North Atlantic Imports LLC couvre les pièces de rechange jusqu'à un an après la date d'achat. (Veuillez consulter le chapitre Garantie pour plus d'informations.)

Pour activer cette garantie, vous devrez fournir:

👉 Numéro de série de votre produit Blackstone



Votre numéro de série se trouve sur l'étiquette du fabricant de votre produit Blackstone. (L'étiquette du fabricant est un grand autocollant argenté apposé sur le corps de votre appareil.)



Enregistrez votre produit Blackstone sur [blackstoneproducts.com/register](https://blackstoneproducts.com/register)

Numéro de modèle \_\_\_\_\_

Numéro de sérier \_\_\_\_\_

Date d'achat \_\_\_\_\_

**NOTRE PERSONNEL DU SERVICE À LA CLIENTÈLE EST LÀ POUR VOUS AIDER!**

Visitez-nous en ligne sur [blackstoneproducts.com/support](https://blackstoneproducts.com/support)

Nous sommes heureux de vous aider pour toute question concernant l'utilisation de l'appareil, les pièces de rechange ou votre garantie.

*Heures de service à la clientèle:*

**Lundi au vendredi**  
**7 h à 17 h (MST)**

**⚠ DANGER**

N'utilisez jamais cet appareil sans surveillance.

**⚠ ATTENTION**

**NE JAMAIS** cuire partiellement la viande ou la volaille pour terminer la cuisson plus tard. Faites cuire les aliments complètement pour détruire les bactéries nocives.

**⚠ ATTENTION**

L'utilisation d'alcool, de médicaments sur ordonnance ou en vente libre peut nuire à la capacité du consommateur d'assembler correctement ou d'utiliser cet appareil en toute sécurité.

**⚠ MISE EN GARDE**

Pour usage résidentiel et domestique seulement. Ne pas utiliser à des fins commerciales.

**⚠ MISE EN GARDE**

Utilisez des ustensiles de cuisine à long manche et des gants de cuisine pour vous protéger des brûlures et des éclaboussures.

**⚠ MISE EN GARDE**

- Ne placez aucun récipient de cuisson ou de friture vide sur la surface de cuisson pendant le fonctionnement.
- Soyez prudent lorsque vous placez quoi que ce soit dans le récipient de cuisson pendant que l'appareil est en marche.

# POUR VOTRE SÉCURITÉ

*Avant de poursuivre, assurez-vous de bien comprendre la section « POUR VOTRE SÉCURITÉ » de ce manuel. Le non-respect des instructions peut provoquer un incendie ou une explosion.*

## Section 01 SÉCURITÉ ALIMENTAIRE

*La salubrité des aliments est un élément important pour profiter de l'expérience de cuisson en plein air. Pour protéger les aliments contre les bactéries nocives, suivez les quatre étapes suivantes:*

**NETTOYEZ:** Lavez vos mains, vos ustensiles et vos surfaces avec de l'eau chaude savonneuse avant et après la manipulation de viandes crues.

**SÉPAREZ:** Séparez les viandes crues des aliments prêts à consommer pour éviter la contamination croisée. Utilisez des assiettes et des ustensiles propres pour retirer les aliments cuits de l'appareil.

**CUISEZ:** Laissez cuire la viande entièrement pour tuer les bactéries. Utilisez un thermomètre pour vérifier que les températures internes sont adéquates.

**RÉFRIGÉREZ:** Réfrigérez rapidement les aliments préparés et les restes.

Pour plus d'informations, visitez [foodsafety.gov](http://foodsafety.gov) ou le Partenariat canadien pour la sensibilisation des consommateurs à la salubrité des aliments sur [befoodsafe.ca](http://befoodsafe.ca)

### COMMENT SAVOIR SI UNE VIANDE EST BIEN CUITE

La viande et la volaille cuites avec cet appareil brunissent souvent très rapidement à l'extérieur.

Utilisez un thermomètre à viande pour vous assurer que les aliments ont atteint une température interne sécuritaire et coupez les aliments pour vérifier qu'ils présentent des signes de cuisson.

Lorsque vous réchauffez des plats à emporter ou des viandes bien cuites, comme des hot dogs, faites-les cuire à 74° C (165° F) ou jusqu'à ce qu'ils soient chauds.

### TEMPÉRATURES DE CUISSON DE LA VIANDE

#### 🐔 Volaille

74° C ou 165° F

Les jus qui en sortent doivent être transparents et la chair ne doit pas être rose.

#### 🐄 🐔 Hamburger de bœuf ou de volaille

71° C ou 160° F

Les jus ne doivent pas être roses et la chair doit être brune au milieu.

#### 🐄 🐄 Steaks, côtelettes et rôtis de bœuf, de veau et d'agneau

63° C ou 145° F

#### 🐷 TOUS les morceaux de porc

71° C ou 160° F

Les jus ne doivent pas être roses.



## Section 02

# SÉCURITÉ DE APPAREIL À GAZ

Si de la graisse ou d'autres matières chaudes coulent de l'appareil sur la vanne, le tuyau ou le régulateur:

**ÉTAPE 01** Fermez immédiatement l'alimentation en gaz.

**ÉTAPE 02** Déterminez la cause et corrigez-la.

**ÉTAPE 03** Nettoyez et inspectez la vanne, le tuyau et le régulateur avant de continuer.

**ÉTAPE 04** Effectuez un test de fuite. (Veuillez vous référer aux instructions de test de fuite dans le chapitre Carburant.)

Pour les problèmes appareil, veuillez vous référer au chapitre Dépannage.

## CODES D'INSTALLATION DE GAZ

Les appareils doivent être utilisés conformément aux exigences d'installation de votre autorité d'approvisionnement en gaz, et construits et marqués conformément à la norme applicable:

- Spécifications pour les bouteilles de GPL du Département des transports des États-Unis (DOT)
- Norme nationale du Canada, CAN/CSA-B339, Cylindres, sphères et tubes
- Spécifications pour les bouteilles de GPL, Transports Canada (TC), Transport des marchandises dangereuses (TMD)
- Norme australienne AS/NZS 5601

**Voir le collier du réservoir de GPL pour le marquage.**

### ⚠ ATTENTION

Si l'appareil n'est pas utilisé, le gaz doit être coupé au niveau de la bouteille d'alimentation.

### ⚠ ATTENTION

Le stockage d'un appareil à l'intérieur n'est autorisé que si la bouteille est déconnectée et retirée de l'appareil.

Le système d'alimentation de la bouteille doit être conçu pour le prélèvement de vapeur.

### ⚠ ATTENTION

Utilisez cet appareil, tel qu'il a été acheté, uniquement avec du gaz et un ensemble régulateur / vanne fourni.

Les détendeurs et flexibles de rechange doivent être ceux spécifiés par le fabricant de l'appareil.

### ⚠ DANGER

Lorsqu'il n'est pas utilisé, éteignez l'appareil en tournant les boutons de commande de l'appareil en position d'arrêt et en fermant le robinet de carburant.

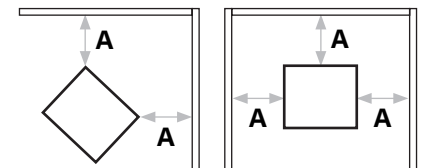
Si les informations contenues dans les avertissements ci-dessus ne sont pas suivies à la lettre, des blessures graves, un incendie ou la mort pourraient survenir.

### ⚠ DANGER

Lorsque vous cuisinez avec de l'huile ou de la graisse, ayez un extincteur de type BC ou ABC à portée de main.

### ⚠ DANGER

N'utilisez pas cet appareil à moins de 36 pouces (1 m) des côtés et de l'arrière de l'appareil. N'utilisez pas cet appareil sous des surfaces combustibles en hauteur.



**A = 36" (1 m)**

### ⚠ MISE EN GARDE

Ne déplacez pas l'appareil en cours d'utilisation. Laisser le récipient de cuisson refroidir à 45° C (115° F) avant de le déplacer ou de le ranger.

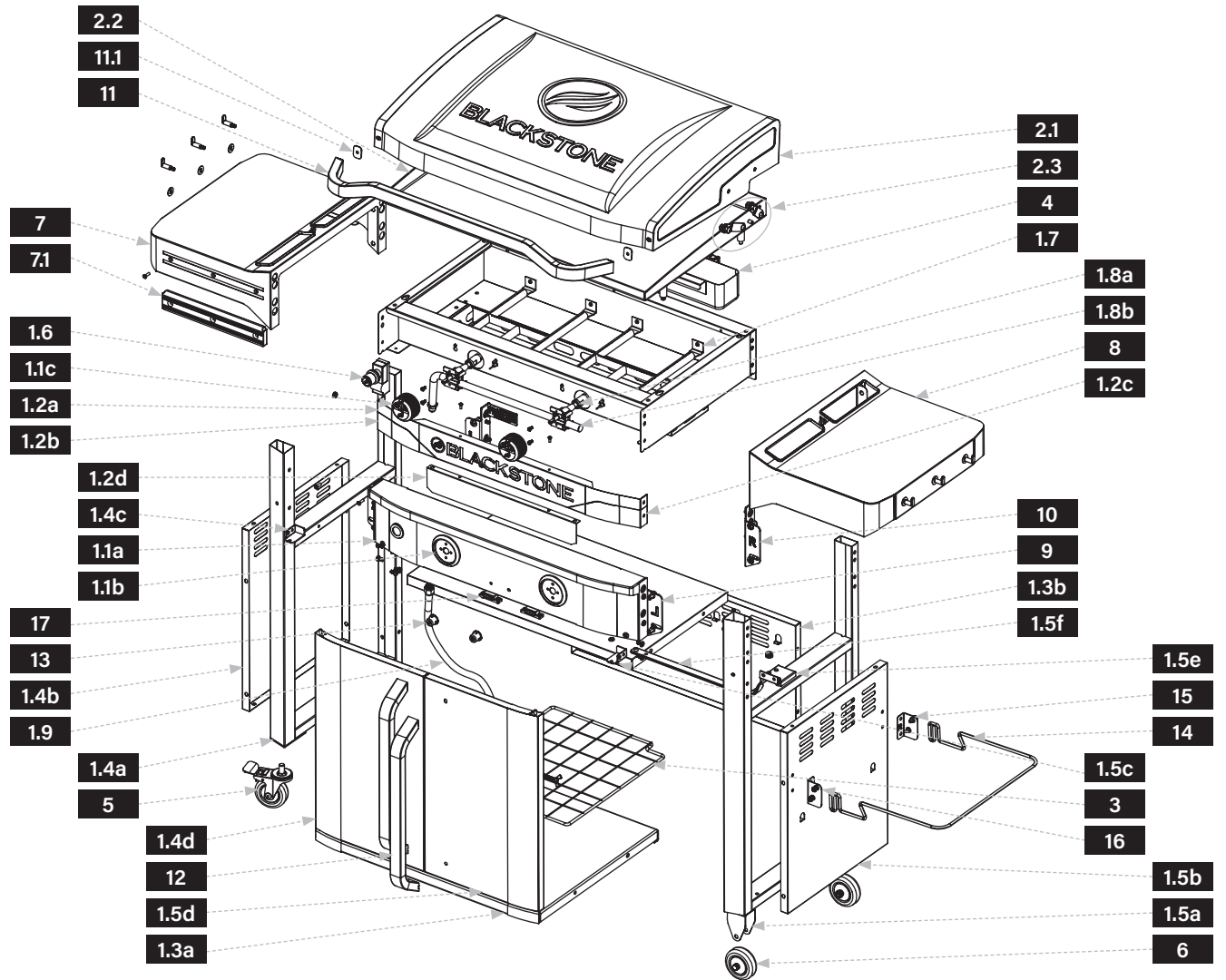
## SÉCURITÉ DU RÉGULATEUR

Si le régulateur tombe en panne dans l'unité, il doit être remplacé par un modèle approuvé par Blackstone et ne doit être remplacé que par un revendeur agréé et agréé par un professionnel. Le non-respect annulera la garantie.



# GUIDE DE MONTAGE

## VUE ÉCLATÉE



FRANÇAIS



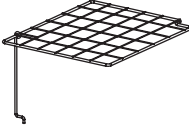
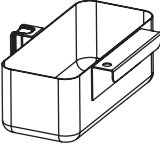
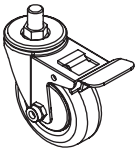
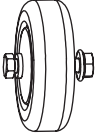
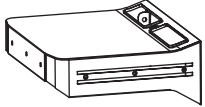
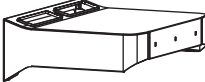


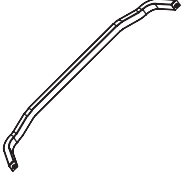
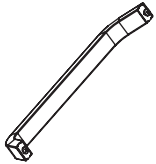
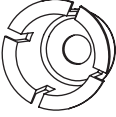
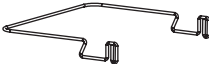
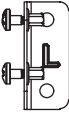
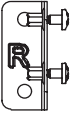

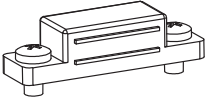
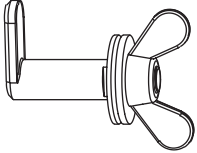
PIÈCES	QTÉ
<b>1.1a</b> Panneau de commande	1
<b>1.1b</b> Enjoliveurs de boutons de commande	2
<b>1.1c</b> Boutons de commande	2
<b>1.2a</b> Panneau à logo sur le devant	1
<b>1.2b</b> Panneau décoratif gauche	1
<b>1.2c</b> Panneau décoratif droit	1
<b>1.2d</b> Panneau de fond orange	1
<b>1.3a</b> Base de chariot	1

PIÈCES	QTÉ
<b>1.3b</b> Panneau arrière du chariot	1
<b>1.4a</b> Assemblage de la jambe gauche	1
<b>1.4b</b> Panneau gauche du chariot	1
<b>1.4c</b> Support de porte d'armoire gauche	1
<b>1.4d</b> Porte d'armoire gauche	1
<b>1.5a</b> Assemblage de la jambe droite	1

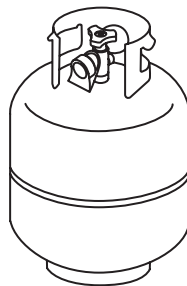
PIÈCES	QTÉ
<b>1.5b</b> Panneau droit du chariot	1
<b>1.5c</b> Support de porte d'armoire droite	1
<b>1.5d</b> Porte d'armoire droite	1
<b>1.5e</b> Support porte-serviettes en papier	1
<b>1.5f</b> Porte-serviettes en papier	1
<b>1.6</b> Allumage	1
<b>1.7</b> Brûleurs H	2



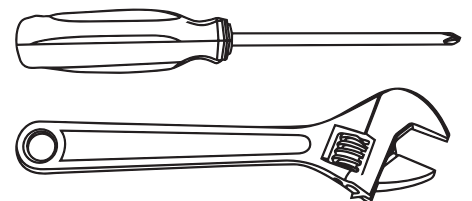
## LISTE DES PIÈCES ILLUSTRÉES

<b>1</b> Corps (1 pièce) 	<b>2</b> Plaque de cuisson et capot (1 pièce) 	<b>3</b> Étagère intérieure (1 pièce) 	<b>4</b> Gobelet à graisse (1 pièce) 	<b>5</b> Roulettes (2 pièces) 	<b>6</b> Roues fixes (2 pièces) 
<b>7</b> Tablette latérale gauche (1 pièce) 	<b>8</b> Tablette latérale droite (1 pièce) 	<b>9</b> Support de tablette latérale <b>L</b> (2 pièces) 	<b>10</b> Support de tablette latérale <b>R</b> (2 pièces) 	<b>11</b> Poignée de capot (1 pièce) 	<b>12</b> Poignées de porte (2 pièces) 
<b>13</b> Manches de poignée (4 pièces) 	<b>14</b> Support de sac poubelle (1 pièce) 	<b>15</b> Support porte-sac poubelle <b>L</b> (1 pièce) 	<b>16</b> Support de support de sac poubelle <b>R</b> (1 pièce) 	<b>17</b> Aimants supérieurs de porte (2 pièces) 	<b>18</b> Aimants inférieurs de porte (2 pièces) 
<b>19</b> Crochets pour tablettes latérales (6 pièces) Écrous à oreilles (6 pièces) Rondelles (12 pièces) 					

PIÈCES	QTÉ
<b>1.8a</b> Vannes à gaz	2
<b>1.8b</b> Rampe à gaz	1
<b>1.9</b> Régulateur	1
<b>2.1</b> Haut de la plaque chauffante	1
<b>2.2</b> Capuche	1
<b>2.3</b> Assemblage de charnière de capot	2
<b>7.1</b> Bande magnétique	1
<b>11.1</b> Feuilles de mica	2



**NON INCLUS:**  
Réservoir de GPL de 9 kg (20 lb) et Pile AA



**OUTILS NÉCESSAIRES:**  
Tournevis cruciforme et Clé à molette

**ATTENTION**

Le fabricant a tout mis en œuvre pour éliminer les bords tranchants. Cependant, vous devez manipuler tous les éléments avec soin pour éviter les blessures accidentelles.

Certaines pièces peuvent comporter des bords tranchants, notamment celles indiquées dans ces instructions. Portez des gants de protection si nécessaire.

**MISE EN GARDE**

Il est recommandé de monter ce produit à deux personnes.

**INSTRUCTIONS DE MONTAGE**

*Veillez lire attentivement toutes les instructions avant de continuer. Assurez-vous que tous les matériaux d'emballage en plastique et toute protection de transport sont retirés avant l'assemblage.*

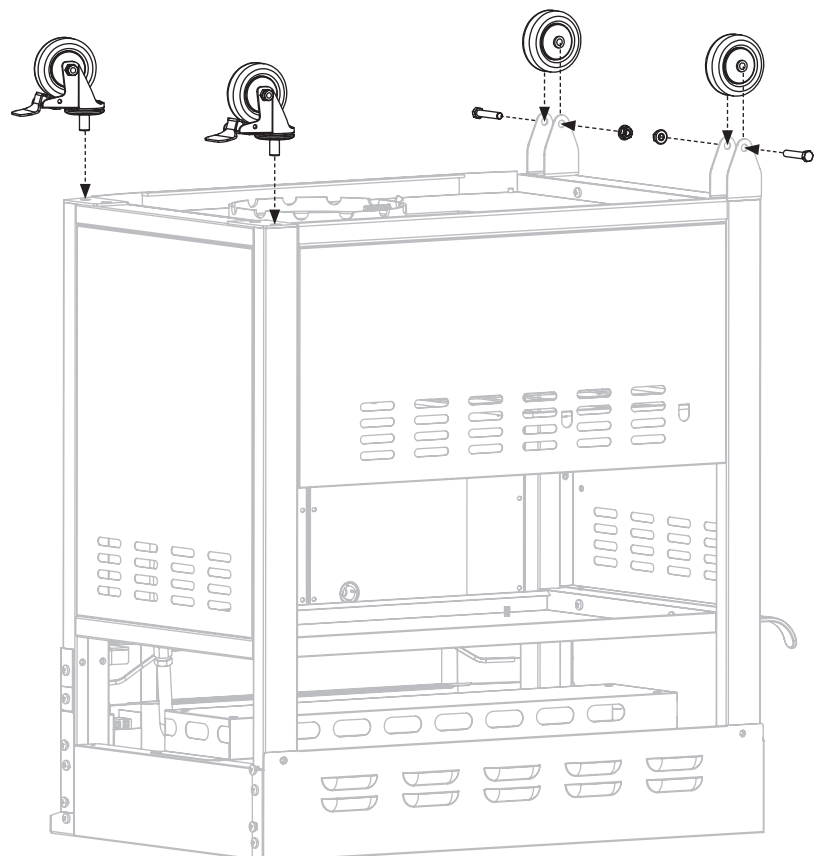
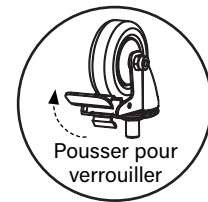
Trouvez une grande surface propre pour assembler votre gril. Veuillez vous référer à la liste des pièces et aux schémas d'assemblage si nécessaire.

**ÉTAPE 01** Avec l'aide d'une autre personne, retirez le corps de la plaque chauffante de l'emballage et posez-le à l'envers sur une surface lisse et plane.

Utilisez les boulons et les écrous préinstallés des deux (2) roues fixes pour les attacher à l'assemblage du pied droit.

Vissez les deux (2) roues pivotantes dans l'assemblage du pied gauche.

(Assurez-vous que les roulettes sont verrouillées avant de les fixer.)

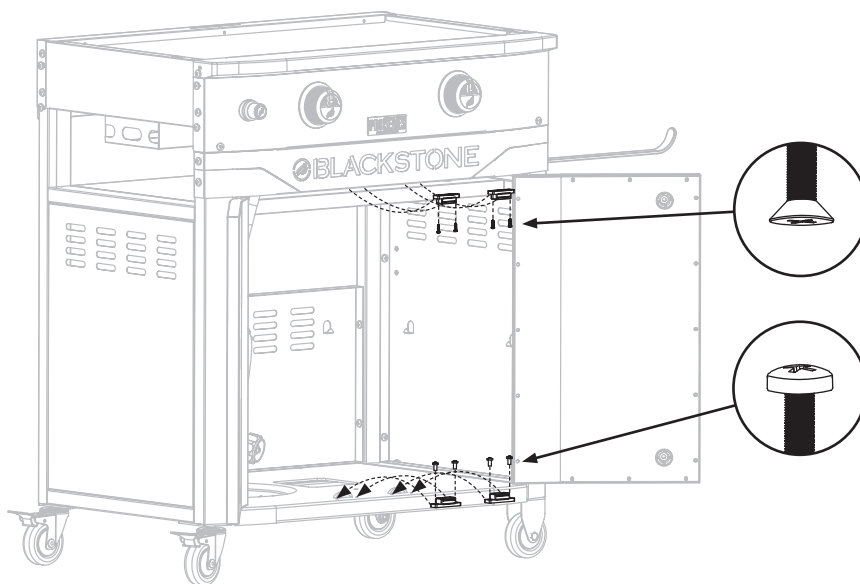




**ÉTAPE 02** Utilisez les quatre (4) boulons M3 et écrous M3 préinstallés pour fixer les deux (2) aimants inférieurs de la porte à la base du chariot.

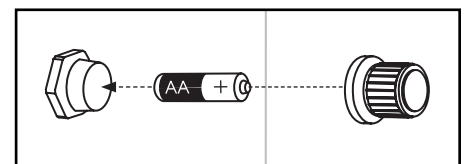
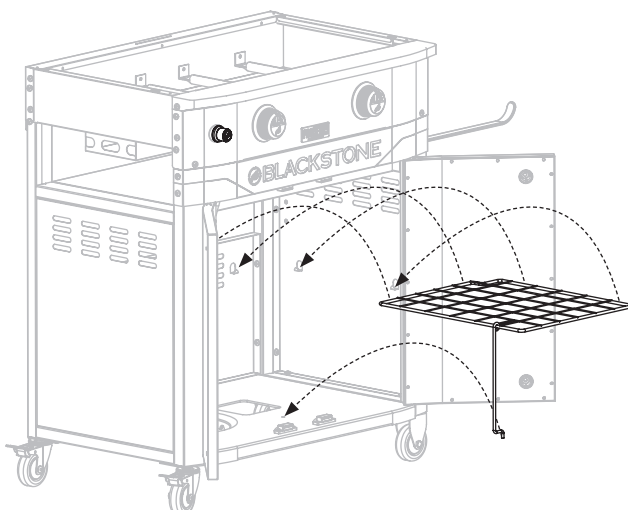
**Avec l'aide d'une autre personne,** placez le corps de la plaque chauffante sur ses roues.

Utilisez les quatre (4) boulons M3 et écrous M3 préinstallés pour fixer les deux (2) aimants supérieurs de la porte au panneau avant du logo.



**ÉTAPE 03** Installez la tablette intérieure en la reposant sur les quatre (4) supports de tablette intérieure et en insérant le pied dans le trou de la base du chariot.

Insérez une (1) pile AA (non incluse) sous le bouton d'allumage.

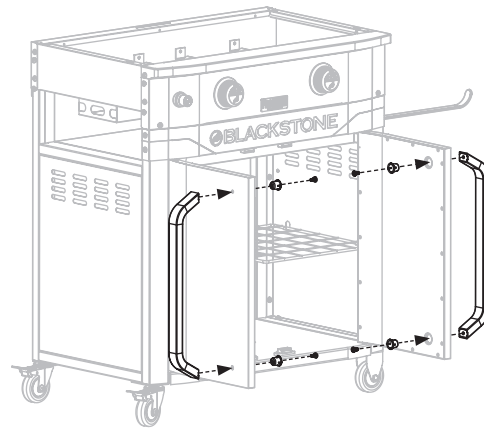


Insérez une pile AA (non fournie) dans le support de pile avec la borne positive tournée vers l'extérieur, puis vissez le bouton d'allumage à fond; faites attention à ne pas trop serrer.

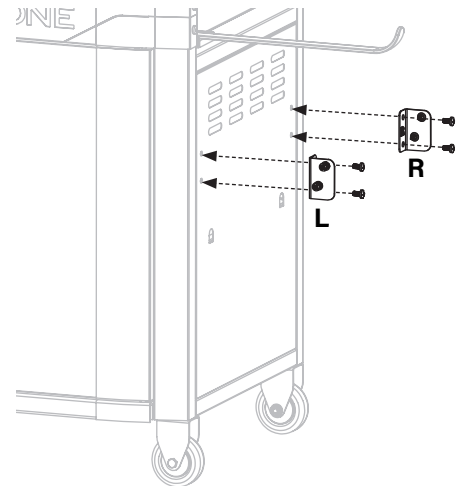


**ÉTAPE 04** Utilisez les deux (2) vis M6x12 préinstallées d'une (1) poignée de porte pour installer la poignée de porte et les deux manchons de poignée sur la porte de l'armoire gauche.

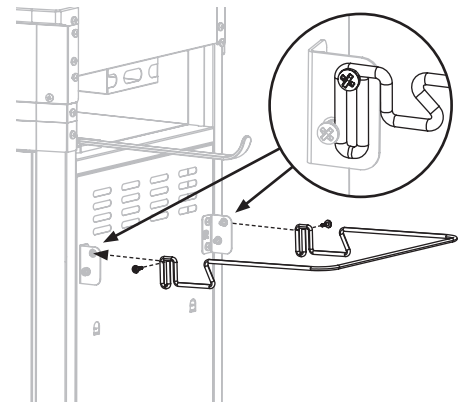
Répétez avec la porte de l'armoire de droite.



**ÉTAPE 05** Utilisez les quatre (4) vis M6x12 préinstallées des deux (2) supports de support de sac à ordures pour fixer les supports au panneau droit du chariot.



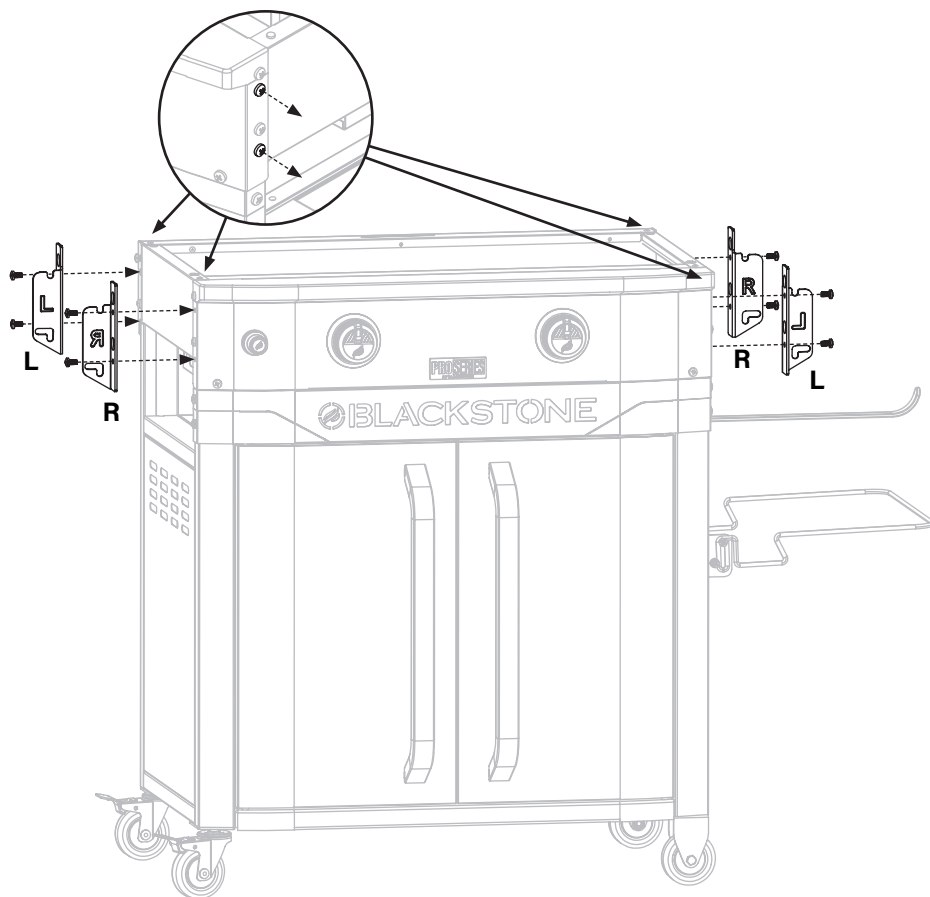
**ÉTAPE 06** Utilisez les deux (2) boulons à gradins préinstallés supérieurs des deux (2) supports de support de sac à ordures pour fixer le support de sac à ordures aux supports.





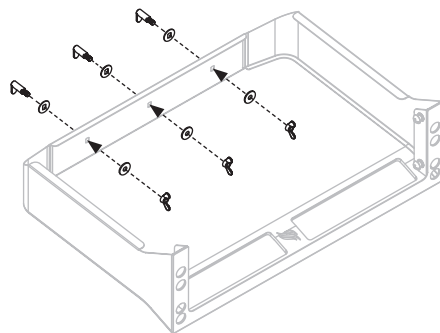


**ÉTAPE 07** Retirez les deuxième et quatrième vis des quatre coins du corps de la plaque chauffante. Utilisez ces vis pour fixer un (1) support de tablette latérale **L** et un (1) support de tablette latérale **R** des deux côtés du corps de la plaque chauffante.



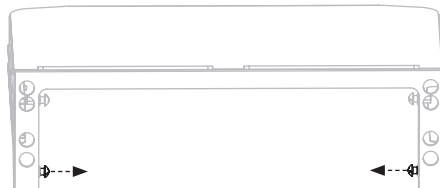
**ÉTAPE 08** Utilisez trois (3) vis à oreilles et six (6) rondelles pour fixer trois (3) crochets de tablette latérale à la tablette gauche.

Répétez avec la tablette latérale droite.



**ÉTAPE 09** Retirez les deux (2) boulons inférieurs de la tablette latérale gauche.

Répétez avec la tablette latérale droite.



**⚠ ATTENTION**

Ne touchez pas la poignée lorsque l'appareil est chaud.

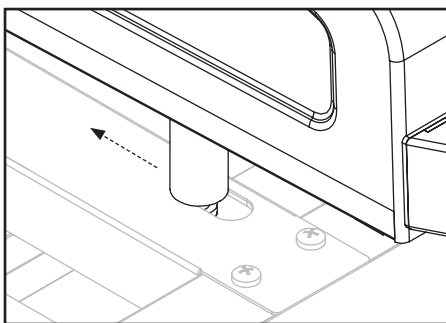
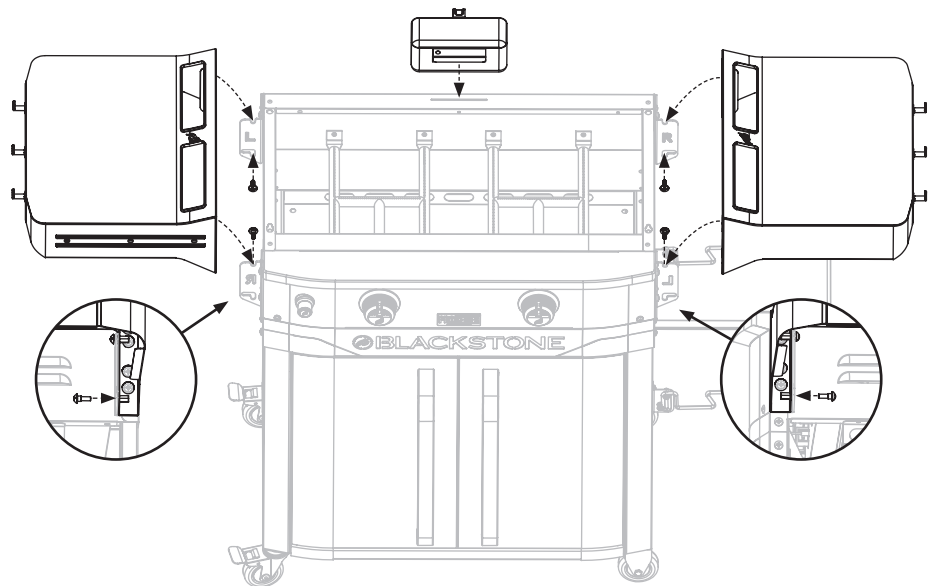
**⚠ MISE EN GARDE**

- Le poids maximum sur la tablette latérale est de 4,5 kg (10 lb).
- La tablette latérale peut devenir chaude pendant l'utilisation de la plaque chauffante.

**ÉTAPE 10** Accrochez les boulons supérieurs des tablettes latérales gauche et droite sur les supports des tablettes latérales sur le côté gauche du corps de la plaque chauffante.

Utilisez les boulons inférieurs pour fixer les tablettes latérales gauche et droite aux supports de tablette latérale.

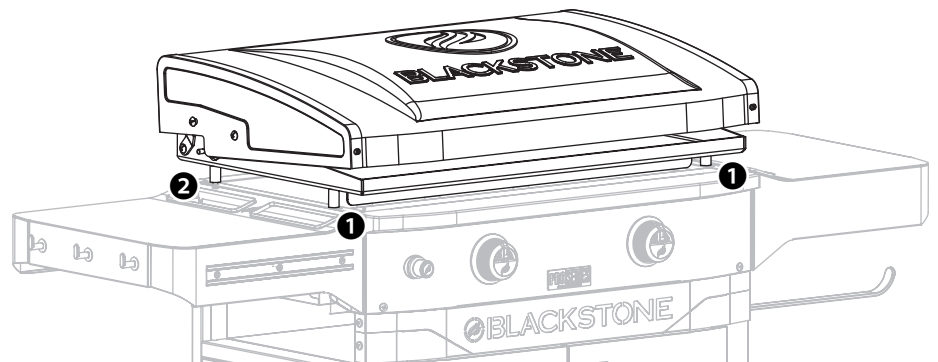
Accrochez le godet à graisse dans la fente à l'arrière du corps de la plaque chauffante.



Placez les deux broches avant dans les trous de verrouillage avant et poussez le dessus de la plaque chauffante et le capot vers l'arrière. Ensuite, placez les deux broches arrière dans les trous arrière.

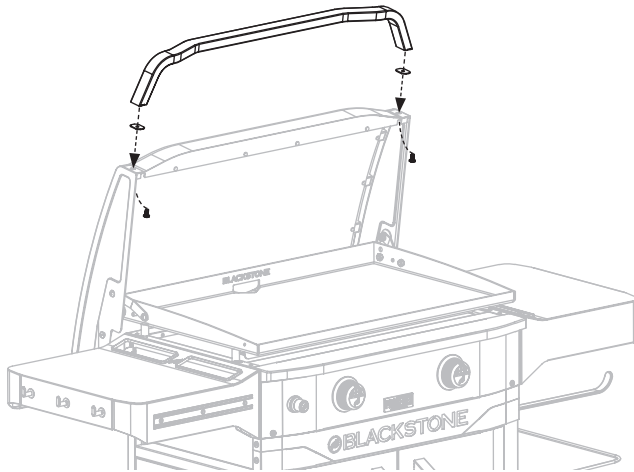
**ÉTAPE 11** Avec l'aide d'une autre personne, placez le dessus et le capot de la plaque chauffante sur le corps de la plaque chauffante en alignant les deux (2) broches avant avec les trous de verrouillage avant.

- 1 Assurez-vous que les broches avant sont bien en place dans les trous avant, puis poussez le dessus de la plaque chauffante et le capot vers l'arrière pour verrouiller la plaque chauffante en place.
- 2 Placez les goupilles arrière dans les trous arrière.

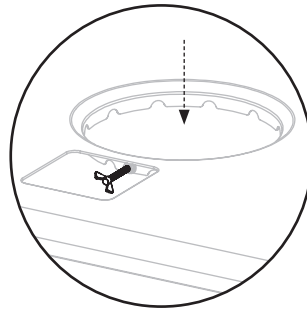
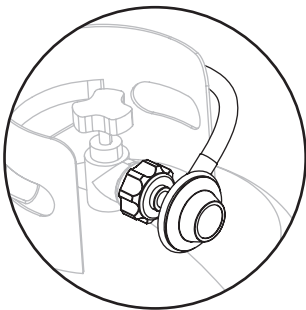




**ÉTAPE 12** Utilisez les deux (2) vis M6x12 préinstallées dans la poignée de la hotte pour installer la poignée de la hotte et deux (2) feuilles de mica à l'avant de la hotte.

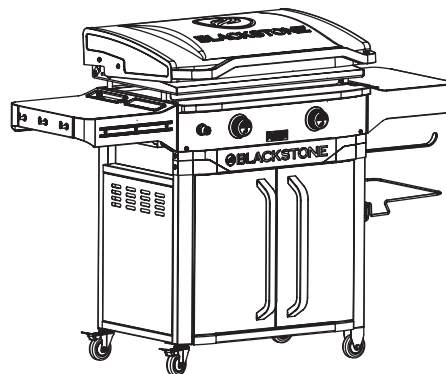


**ÉTAPE 13** Connectez le réservoir de propane (non inclus) et placez-le sur la base du chariot. Serrez la vis à oreilles de la base du chariot pour la fixer. (Veuillez consulter la section Raccordement et retrait du chapitre Carburant.)



**ÉTAPE 14** Passez à la section **Instructions d'assaisonnement plaque chauffante** du chapitre **Entretien et maintenance**.

Profitez de la cuisine en plein air sur votre Blackstone!



#### VIDÉOS DE MONTAGE

Visionnez les vidéos d'assemblage de produits et d'assistance technique en ligne sur [blackstoneproducts.com/support](https://blackstoneproducts.com/support) et sur YouTube [@BlackstoneGriddles](https://www.youtube.com/BlackstoneGriddles)



**⚠ DANGER**

Une bouteille de GPL non connectée pour utilisation ne doit PAS être stockée à proximité de cet appareil ou de tout autre appareil.

- Les bouteilles de GPL ne doivent être stockées qu'à l'extérieur et dans un endroit frais et sec.
- Une bouteille de GPL ne doit PAS être stockée sous ou à proximité de l'appareil, à la portée des enfants, ou dans un bâtiment, un garage ou tout autre espace clos.
- Ne laissez JAMAIS une bouteille de GPL à l'intérieur d'un véhicule qui pourrait être surchauffé par le soleil.

Si les informations ci-dessus ne sont pas suivies à la lettre, un incendie pouvant provoquer des blessures graves, voire mortelles, pourrait survenir.

**⚠ DANGER**

- Ne remplissez JAMAIS une bouteille de GPL au-delà de 80%.

Une bouteille trop remplie ou mal entreposée constitue un danger, en raison du dégagement possible de gaz par la soupape de sûreté-décharge. Cela pourrait provoquer un violent incendie et causer des dommages matériels, des blessures graves ou la mort.

Si vous voyez, sentez ou entendez du gaz s'échapper, éloignez-vous immédiatement de la bouteille de propane et de l'appareil et appelez le service d'incendie.

# CARBURANT | RÉSERVOIR DE PROPANE DE 9 KG (20 LB)

## Section 01

## EXIGENCES RELATIVES AUX BOUTEILLES DE GPL

### EXIGENCES RELATIVES AUX BOUTEILLES DE GPL

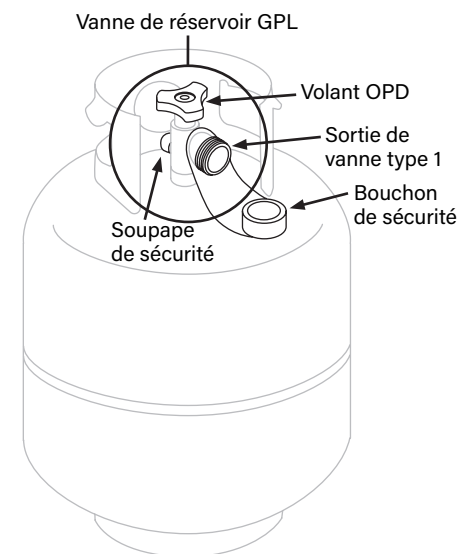
Le réservoir de GPL utilisé avec votre plaque de cuisson doit répondre aux exigences suivantes:

- Date testée par un fournisseur de gaz GPL dans les cinq ans d'utilisation.
- Taille : 45 sur 30 cm (18x12 po) et 9,1 kg (20 lb).
- Le système d'alimentation doit être prévu pour le retrait de la vapeur.
- Le réservoir doit inclure un collier pour protéger la valve du réservoir de GPL.

### EXIGENCES RELATIVES AUX VANNES DE RÉSERVOIR DE GPL

La vanne du réservoir GPL doit avoir:

- Sortie de vanne type 1 (filetage à l'extérieur).
- Soupape de sécurité.
- Dispositif de protection contre les débordements (OPD) homologué UL. **Cette fonction de sécurité OPD est identifiée par un volant triangulaire unique.**



**Gardez toujours les réservoirs de GPL neufs et échangés en position verticale pendant l'utilisation, le transport ou le stockage.**



## Section 02 RACCORDEMENT ET RETRAIT

### SÉCURITÉ DU RÉGULATEUR

Si le régulateur tombe en panne dans l'unité, il doit être remplacé par un modèle approuvé par Blackstone et ne doit être remplacé que par un revendeur agréé et agréé par un professionnel. Le non-respect annulera la garantie.

### CONNEXION DU RÉGULATEUR AU RÉSERVOIR DE GPL

**Testez les fuites des réservoirs de GPL neufs et remplacés AVANT de les connecter à la plaque chauffante. Veuillez vous référer à la section Instructions d'essai d'étanchéité.**

**ÉTAPE 01** Le réservoir de GPL doit être correctement fixé à la plaque chauffante. (Veuillez vous référer au chapitre Guide d'assemblage.)

Assurez-vous que les boutons de commande sont sur OFF.

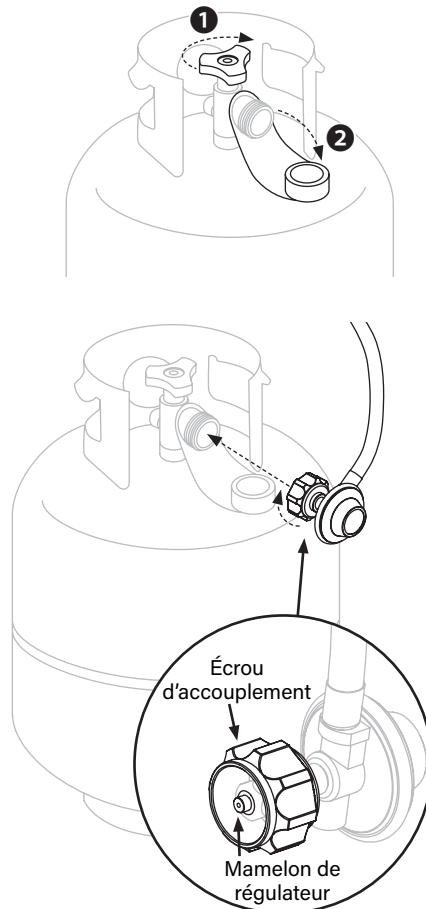
**ÉTAPE 02** ① Assurez-vous que le réservoir de GPL est ARRÊTÉ en tournant le volant de l'OPD dans le sens des aiguilles d'une montre jusqu'à l'arrêt complet.

② Retirez le capuchon de sécurité de la sortie de la vanne de type 1.

**ÉTAPE 03** Tenir le détendeur en ligne droite avec la sortie de la vanne de type 1 afin de ne pas croiser le filetage du raccord.

Centrez et insérez le mamelon du régulateur dans la sortie de la vanne de type 1.

Serrez l'écrou d'accouplement à la main dans le sens des aiguilles d'une montre.



### ⚠ ATTENTION

Gardez le tuyau d'alimentation en carburant éloigné de toute surface chauffée.

### ⚠ ATTENTION

N'essayez jamais de fixer cette plaque de cuisson au système de gaz propane indépendant d'une roulotte, d'un véhicule récréatif ou d'une autocaravane.

N'utilisez pas le réservoir de GPL avant d'avoir effectué un essai d'étanchéité.

### ⚠ ATTENTION

La bouteille d'alimentation en GPL doit être déconnectée lorsque cet appareil n'est pas utilisé.

### ⚠ ATTENTION

Le gaz de pétrole liquéfié est hautement inflammable et peut s'enflammer de manière inattendue lorsqu'il est mélangé à l'air.

### ⚠ MISE EN GARDE

GPL est non toxique, inodore et incolore lorsqu'il est produit. Pour des raisons de sécurité et pour faciliter sa détection, GPL est doté d'une odeur similaire à celle du chou pourri.

**REMARQUE:** Si la connexion ne peut pas être effectuée, déconnectez le régulateur et répétez l'étape 03.

**Si vous ne pouvez pas terminer le raccord, n'utilisez pas ce régulateur!**

**⚠ DANGER**

N'insérez aucun outil ou objet dans la sortie de la vanne ou la soupape de sûreté-décharge. La vanne peut être endommagée et provoquer une fuite. **Une fuite de propane peut provoquer une explosion, un incendie, des blessures graves, voire la mort.**

Si, à tout moment, une fuite est détectée, **ARRÊTEZ** ce que vous faites et appelez le service d'incendie. Si vous ne pouvez pas arrêter une fuite de gaz, fermez immédiatement la vanne du réservoir de propane et appelez votre fournisseur de GPL ou le service d'incendie!

**⚠ ATTENTION**

Ne pas insérer de bouchon de transport POL (pièce en plastique avec fil extérieur) dans la sortie de la vanne du réservoir de type 1. Cela annulera la fonction de la soupape de sûreté-décharge.

**RETRAIT DU RÉSERVOIR DE GPL POUR LE TRANSPORT/ LE STOCKAGE**

**ÉTAPE 01** Assurez-vous que les boutons de commande sont sur OFF.

**ÉTAPE 02** ① Assurez-vous que le réservoir de GPL est **ARRÊTÉ** en tournant le volant de l'OPD dans le sens des aiguilles d'une montre jusqu'à l'arrêt complet.

② Tournez l'écrou de couplage à la main dans le sens inverse des aiguilles d'une montre pour retirer le régulateur. (N'utilisez pas d'outils pour déconnecter.)

**ÉTAPE 03** Placer le capuchon de sécurité sur la sortie de la vanne de type 1.

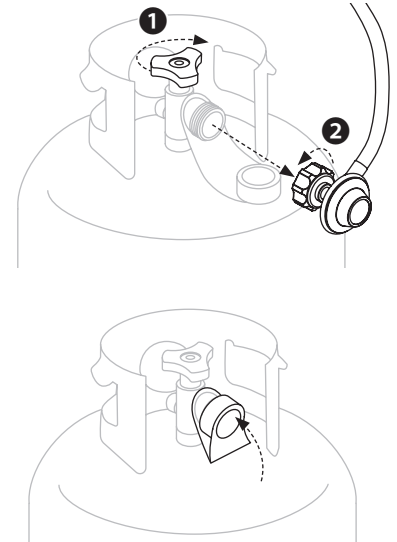
**Utilisez uniquement le type de bouchon de sécurité sur la sortie du robinet de la bouteille qui est fourni avec le robinet de la bouteille.**

(D'autres types de bouchons ou de bouchons peuvent entraîner des fuites de propane.)

- A disconnected LP tank in storage or during transportation must have a safety cap installed.
- Un réservoir de GPL déconnecté en stockage ou pendant le transport doit avoir un bouchon de sécurité installé.
- Le non-respect des instructions d'utilisation du capuchon de sécurité peut entraîner des blessures graves et/ou des dommages matériels.

**RACCORDS ET TUYAUX**

- Une vérification et un serrage annuels des raccords métalliques sont recommandés.
- Avant chaque utilisation, vérifiez si les tuyaux sont coupés ou usés.
- Remplacez les tuyaux endommagés avant d'utiliser l'appareil. (Utilisez uniquement des pièces de rechange approuvées par Blackstone pour la vanne, le tuyau ou le régulateur.)

**REMPLEISSAGE & ÉCHANGE**

N'utilisez que les sociétés d'échange réputées qui inspectent, remplissent avec précision, testent et certifient leurs réservoirs. Le revendeur LP doit purger le nouveau réservoir avant de le remplir.

Le volume de propane dans le réservoir variera selon la température. Un régulateur givré indique un débordement de gaz. Fermez immédiatement le robinet du réservoir de GPL et appelez le revendeur local de GPL pour obtenir de l'aide.

Ne pas libérer de gaz propane liquide (GPL) dans l'atmosphère.

Pour retirer le gaz du réservoir de GPL, contactez un revendeur de GPL certifié ou le service d'incendie local pour obtenir de l'aide.

Remplacez le réservoir uniquement par un réservoir équipé d'un dispositif de sécurité OPD.

**REMARQUE:** Votre revendeur peut vous aider à trouver un réservoir de remplacement pour votre plaque de cuisson.



## Section 03

# INSTRUCTIONS D'ESSAI D'ÉTANCHÉITÉ

### SÉCURITÉ PENDANT L'ESSAI D'ÉTANCHÉITÉ

- Le test d'étanchéité doit être répété chaque fois que le réservoir de GPL est remplacé ou rempli.
- Ne pas fumer pendant le test d'étanchéité.
- N'utilisez pas de flamme nue pour vérifier les fuites de gaz.
- L'appareil doit être testé pour les fuites à l'extérieur dans un endroit bien ventilé, loin des sources d'inflammation telles que les appareils à gaz ou électriques.
- Pendant le test d'étanchéité, éloignez l'appareil des flammes nues ou des étincelles.
- Utilisez un pinceau propre et une solution d'eau et de savon doux 10/90.

### TEST D'ÉTANCHÉITÉ: RÉSERVOIR GPL

**ÉTAPE 01** Appliquez une solution savonneuse sur les zones de joint du réservoir. (Indiqué par des flèches sur la figure 01.)

**Les fuites sont indiquées par la formation de bulles.**

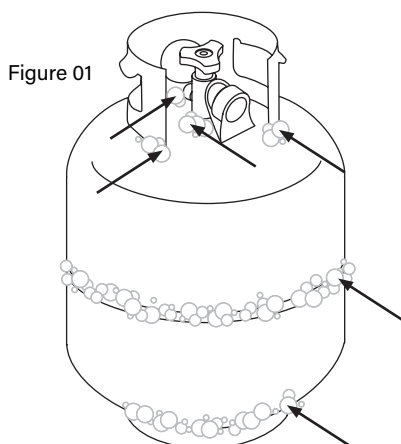


Figure 01

### TEST D'ÉTANCHÉITÉ : VANNES, TUYAU ET RÉGULATEUR

**ÉTAPE 01** Assurez-vous que les boutons de commande sont sur OFF.

Assurez-vous que le régulateur est bien connecté au réservoir de GPL.

Ouvrez complètement le réservoir de GPL en tournant le volant de l'OPD dans le sens inverse des aiguilles d'une montre.

**Si vous entendez un bruit de précipitation, coupez immédiatement le gaz.** Il y a une fuite importante au niveau de la connexion. Corrigez avant de continuer.

**ÉTAPE 02** Appliquez une solution savonneuse sur les zones de joint des vannes et du régulateur. (Indiqué par des flèches sur la figure 02.)

**Les fuites sont indiquées par la formation de bulles.**

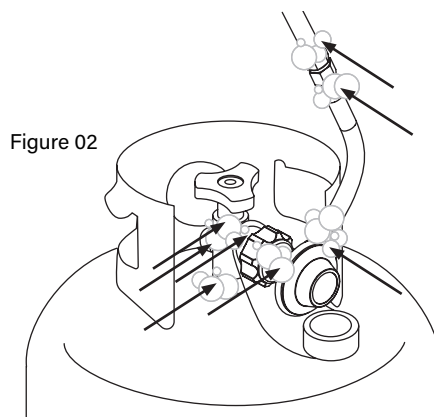


Figure 02

**ÉTAPE 03** Fermez immédiatement le réservoir de GPL en tournant le volant OPD dans le sens des aiguilles d'une montre et resserrez les connexions. Si les fuites ne peuvent pas être arrêtées, **N'ESSAYEZ PAS DE RÉPARER.**

### ⚠ ATTENTION

Gardez les vannes du réservoir de GPL fermées à tout moment, sauf si le système de GPL est en cours d'utilisation ou si le réservoir est en cours de remplissage.

### ⚠ ATTENTION

Si des bulles apparaissent, n'utilisez pas et ne déplacez pas le réservoir de GPL. Contactez immédiatement un fournisseur de gaz propane ou un service d'incendie.

### ⚠ MISE EN GARDE

**NE PAS UTILISER DE PRODUITS D'ENTRETIEN MÉNAGER.** Cela pourrait endommager les composants de la vanne, du tuyau et du régulateur.

#### BESOIN D'AIDE?

Enregistrez votre produit Blackstone sur [blackstoneproducts.com/register](https://blackstoneproducts.com/register) et visitez-nous en ligne sur [blackstoneproducts.com/support](https://blackstoneproducts.com/support) pour des questions sur les pièces de rechange, l'assemblage et le fonctionnement.



**⚠ ATTENTION**

Ne vous penchez pas au-dessus de la plaque de cuisson pendant l'allumage.

**⚠ ATTENTION**

Si l'allumage ne se produit PAS dans les 5 secondes, éteignez les commandes du brûleur, attendez 5 minutes et répétez la procédure d'allumage.

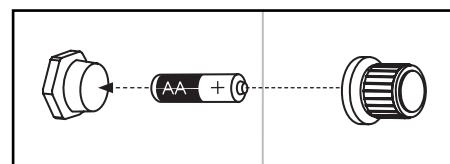
Si le brûleur ne s'allume pas avec la vanne ouverte, le gaz continuera de sortir du brûleur et pourrait s'enflammer accidentellement/ par inadvertance et engendrer un risque de blessure.

# ALLUMAGE | ALIMENTÉ PAR BATTERIE

## FONCTIONNEMENT DU BRÛLEUR AU PROPANE

Pour un allumage et un fonctionnement corrects de l'appareil, suivez les étapes ci-dessous.

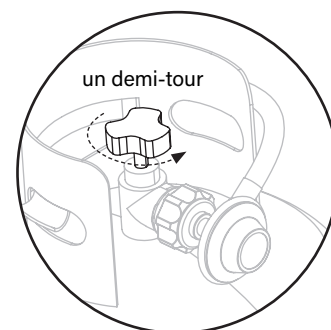
**ÉTAPE 01** Pour que le bouton d'allumage fonctionne correctement, assurez-vous que la batterie est correctement installée.



### ÉTAPE 02

❶ Assurez-vous que le bouton de commande est sur OFF.

**ÉTAPE 03** Assurez-vous que le réservoir de GPL est correctement connecté à l'unité. Activez le gaz au niveau de la bouteille de GPL en tournant lentement le volant de l'OPD à mi-course.

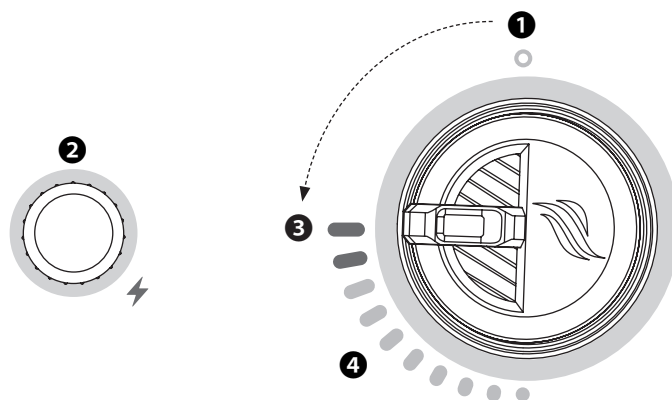


### ÉTAPE 04

❷ Appuyez sur le bouton d'allumage et maintenez-le enfoncé.

❸ Poussez et tournez le bouton de commande dans le sens inverse des aiguilles d'une montre jusqu'à HAUT.  
(Lâchez le bouton d'allumage lorsque le brûleur s'allume.)

❹ Réglez la température au niveau souhaité.







# DÉPANNAGE

Visitez [BLACKSTONEPRODUCTS.COM/SUPPORT](http://BLACKSTONEPRODUCTS.COM/SUPPORT) pour un dépannage supplémentaire.

## Section 01

### ALLUMAGE ALIMENTÉ PAR BATTERIE

#### SYMPTÔMES

01. Le brûleur ne s'allume pas avec le système d'allumage
02. Une pression sur le bouton d'allumage n'entraîne pas de clic

Si l'allumage ne se produit pas dans les 5 secondes, éteignez les commandes du brûleur, attendez 5 minutes et répétez la procédure d'allumage.

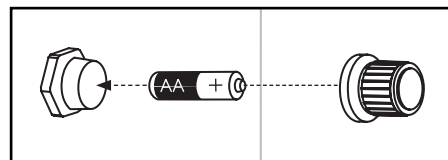
Si cela ne fonctionne pas, pour en déterminer la cause, veuillez essayer d'allumer votre appareil avec une allumette. (Veuillez vous référer aux instructions d'allumettes correspondantes dans la section Nettoyage du brûleur du chapitre Entretien et maintenance)

Si vous **POUVEZ** allumer votre appareil avec une allumette

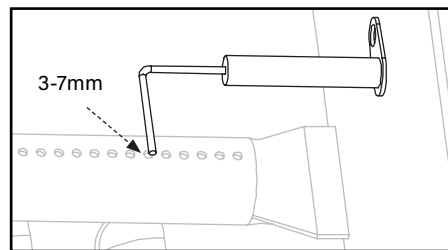
CAUSES POSSIBLES	SOLUTION
01. Batterie morte ou pas de batterie dans les unités équipées d'un allumage électrique alimenté par batterie.	Remplacez-la par une nouvelle pile.
02. Batterie mal installée.	Assurez-vous que la batterie est installée l'extrémité négative en premier.
03. Fil d'allumeur mal aligné.	Assurez-vous que le fil de l'allumeur est positionné de 1/8 po à 1/4 po du tube du brûleur, positionné au-dessus d'un trou de brûleur.
04. Endommagement du système d'allumage.	Contactez le service client pour les pièces de rechange.

Si vous **NE POUVEZ PAS** allumer votre appareil avec une allumette

CAUSES POSSIBLES	SOLUTION
05. Les tubes de brûleur ne reçoivent pas de carburant.	Veuillez consulter la section Flux du gaz du chapitre Dépannage.



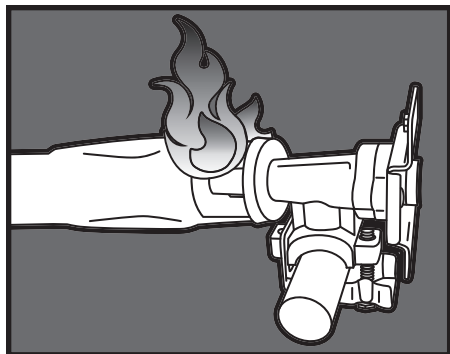
Insérez une pile AA (non fournie) dans le support de pile avec la borne positive tournée vers l'extérieur, puis vissez le bouton d'allumage à fond; faites attention à ne pas trop serrer.



Assurez-vous que l'aiguille d'allumage est positionnée à 3-7 mm du tube du brûleur, positionnée au-dessus d'un trou du brûleur.



## Section 02 FLUX DU GAS



### SYMPTÔMES

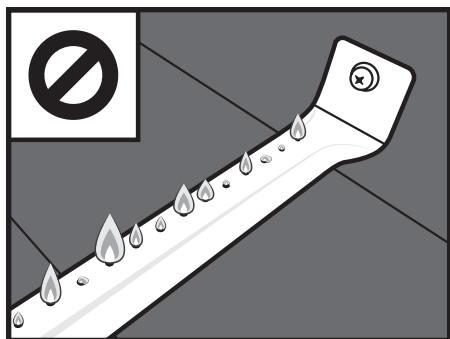
01. Une flamme sort de la porte d'air.

### CAUSES POSSIBLES

01. Quelque chose bloque le venturi dans le tube du brûleur. Cela ne permet pas au propane de s'écouler à travers le brûleur, ce qui fait reculer la flamme par la porte d'air.

### SOLUTION

Nettoyez l'ensemble du brûleur pour éliminer l'obstruction. (Voir Entretien et maintenance > Entretien général > Nettoyage de l'ensemble du brûleur)



### SYMPTÔMES

01. Les flammes des brûleurs sont jaunes ou irrégulières.

### CAUSES POSSIBLES

01. Quelque chose bloque l'entrée d'air du brûleur. Cela empêche l'oxygène de se mélanger correctement avec le propane pour obtenir des flammes saines.

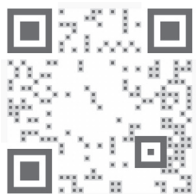
### SOLUTION

Vérifiez les grilles d'aération de votre brûleur. Si vous avez des volets d'air réglables au-dessus de vos grilles d'aération, assurez-vous qu'ils sont complètement ouverts. Si vos brûleurs ont des boucliers anti-insectes, nettoyez les toiles d'araignées, la suie ou les débris du bouclier anti-insectes. Nettoyez tout autre obstacle des grilles d'aération.

### ASSISTANCE TECHNIQUE:

Numérisez le code QR pour plus de vidéos ou visitez la chaîne YouTube de Blackstone à l'adresse

[youtube.com/blackstonegriddles](https://youtube.com/blackstonegriddles)





## SYMPTÔMES

01. L'appareil n'atteindra pas une chaleur élevée ou chauffe de manière inégale.
02. Les flammes du brûleur démarrent fortement, puis tombent immédiatement à bas même lorsque le brûleur est réglé en position haute.
03. La hauteur de la flamme diminue lorsqu'un deuxième brûleur est allumé.
04. Les flammes ne s'étendent pas sur toute la longueur du brûleur, ou ne courent que d'un côté du brûleur.
05. Les flammes des brûleurs sont incohérentes.

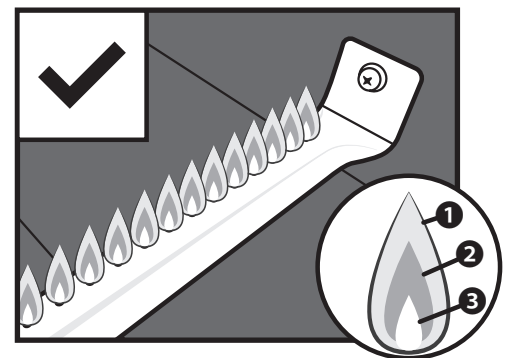
### CAUSES POSSIBLES

### SOLUTION

01. La bouteille de gaz propane est vide ou basse.	Remplissez ou remplacez le réservoir de propane.
02. Obstructions dans le brûleur, les jets de gaz ou la rampe d'alimentation.	Nettoyez le brûleur, les jets et le tuyau de gaz. (Veuillez consulter la section Nettoyage de votre plaque chauffante du chapitre Entretien et maintenance.)
03. Les réglementations des États-Unis exigent que tous les régulateurs contiennent un dispositif de limitation de débit pour la sécurité des consommateurs. Cet appareil mesure la quantité de propane passant par le régulateur pour s'assurer que les niveaux sont sûrs. Si le débit à travers le régulateur est trop élevé (symptôme d'une fuite importante), le dispositif de limitation de débit se déclenchera, limitant le débit de propane pour réduire les risques d'incendie dangereux. Ce système de sécurité peut se déclencher accidentellement en ouvrant un réservoir de propane trop rapidement ou en ouvrant le réservoir de propane lorsqu'un bouton de brûleur n'est pas en position d'arrêt.	<p>Ce système de sécurité peut être réinitialisé par:</p> <p>Déplacez les boutons des brûleurs en position d'arrêt, fermez le réservoir de propane et déconnectez le régulateur du réservoir de propane.</p> <p>Attendez cinq minutes pour permettre à la pression de se dissiper, puis reconnectez le régulateur au réservoir de propane et ouvrez lentement le volant OPD d'un demi-tour.</p> <p>Allumez votre appareil comme décrit dans le chapitre Allumage.</p>
04. Régulateur coincé en position de sécurité.	Contactez le service client pour les pièces de rechange.

## MODÈLE DE FLAMME DE BRÛLEUR

Les brûleurs de votre appareil sont conçus pour mélanger l'oxygène et le propane à une vitesse qui permet des flammes optimales. Si les trous, le registre d'air ou le venturi du brûleur sont bouchés, cela affectera le mélange de propane et d'air, provoquant des flammes faibles ou incohérentes, ou des flammes du registre d'air.



Les flammes saines peuvent avoir quelques scintillements de couleur jaune **1**, puis de couleur bleu foncé **2**, suivis d'un bleu vif par le tube du brûleur **3**.

**⚠ ATTENTION**

Lorsqu'il n'est pas utilisé, placez les molettes de l'appareil en position OFF et fermez l'alimentation en gaz.

**⚠ ATTENTION**

L'appareil doit être isolé du système de tuyauterie d'alimentation en gaz en fermant son robinet d'arrêt manuel individuel pendant tout test de pression du système de tuyauterie d'alimentation en gaz à des pressions d'essai égales ou inférieures à 1/2 psi (3,5 kPa).

**⚠ ATTENTION**

Cet appareil sera chaud pendant et après l'utilisation. Utilisez des gants isolants ou des gants de protection pour vous protéger des surfaces chaudes ou des éclaboussures de liquides de cuisson.

**⚠ MISE EN GARDE**

Ne jamais toucher les parties chaudes sans protection adaptée.

**⚠ MISE EN GARDE**

Ne pas utiliser de Citrisol, de nettoyeurs abrasifs, de dégraissants ou de nettoyeurs concentrés pour plaques de cuisson sur les pièces en plastique. **Des dommages et une défaillance des pièces pourraient en résulter.**

# ENTRETIEN ET MAINTENANCE

*Nettoyez régulièrement votre appareil entre les utilisations, en particulier après de longues périodes de stockage. Pour prolonger la durée de vie et conserver l'état de l'unité, suivez les meilleures pratiques détaillées dans ce manuel.*

## Section 01 ENTRETIEN GÉNÉRAL

### NETTOYAGE GÉNÉRAL

*Assurez-vous que la plaque de cuisson et ses composants sont suffisamment froids avant le nettoyage.*

- Nettoyez souvent votre appareil, de préférence après chaque utilisation.
- Assurez-vous de garder les ouvertures de ventilation du boîtier de la bouteille libres et exemptes de débris.
- Les dépôts de graisse cuits peuvent nécessiter l'utilisation d'un tampon nettoyeur en plastique abrasif. Utilisez-le uniquement dans le sens du fini brossé pour éviter les dommages.
- NE PAS utiliser de tampon abrasif sur les zones comportant des représentations graphiques.
- Si une brosse à poils est utilisée pour nettoyer l'une des surfaces de cuisson, assurez-vous qu'aucun poil lâche ne reste sur les surfaces de cuisson avant la cuisson.

**PIÈCES EN PLASTIQUE:** Laver à l'eau tiède savonneuse et essuyer.

**SURFACES PEINTES:** Laver avec un détergent doux ou un nettoyeur non abrasif et de l'eau savonneuse tiède. Essuyer avec un chiffon doux non abrasif.

### SURFACES EN ACIER

**INOXYDABLE:** Pour maintenir l'aspect haut de gamme du cadre de la plaque de cuisson, lavez-le avec un détergent doux et de l'eau savonneuse tiède. Essuyez avec un chiffon doux après chaque utilisation.

### APRÈS CHAQUE UTILISATION

Assurez-vous que toute partie de l'appareil qui devient chaude et qui présente une accumulation de graisse est nettoyée avant la prochaine utilisation. Sinon, un incendie pourrait se produire.



## STOCKAGE

- Afin de prolonger et de maintenir la durée de vie et l'état de votre appareil, nous recommander que l'unité soit couverte lorsqu'elle est laissée à l'extérieur pour une durée quelconque, en particulier pendant les mois d'hiver.
- Prenez soin de toujours sécher complètement votre appareil avant de le ranger et de le tenir à l'abri de la pluie et des arrosages.
- Couvrir les brûleurs avec du papier d'aluminium afin d'empêcher les insectes ou autres débris de s'accumuler dans les trous des brûleurs.
- Lorsque l'alimentation en gaz est raccordée à l'appareil, rangez l'appareil à l'extérieur dans un espace bien ventilé et hors de portée des enfants.
- Stockez l'appareil à l'intérieur **UNIQUEMENT** si l'alimentation en gaz est coupée, déconnectée, retirée de l'appareil et entreposée à l'extérieur.
- Lorsque vous retirez l'appareil du stockage, nettoyez l'ensemble du brûleur avant de démarrer l'appareil. (Veuillez consulter la section Nettoyage du brûleur.)

## CLAPET DE NON-RETOUR

*Assurez-vous que le gaz est coupé à la vanne d'arrêt d'alimentation avant de vérifier les vannes de l'appareil. Les boutons doivent être tournés en position OFF.*

**ÉTAPE 01** Pour vérifier les vannes, enfoncez les molettes et relâchez-les. Les molettes devraient revenir en place elles-mêmes.

**Si les boutons ne retournent pas à leur position initiale, remplacez la vanne avant d'utiliser la plaque de cuisson.**

**ÉTAPE 02** Tournez les molettes vers la position de faible intensité puis revenez en position OFF. Les molettes doivent tourner facilement.

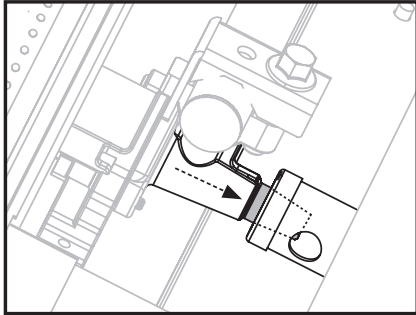
### GUIDE D'AJUSTEMENT DE LA COUVERTURE

Visitez-nous en ligne sur [blackstoneproducts.com/support](https://blackstoneproducts.com/support) pour trouver une housse qui s'adaptera à votre appareil.



**ATTENTION**

Assurez-vous que la buse de carburant est logée dans l'ouverture du brûleur.

**Section 02****NETTOYAGE DU BRÛLEUR**

Suivez ces instructions pour nettoyer ou remplacer des pièces du brûleur, ou en cas de difficulté à allumer la plaque de cuisson. Pendant le nettoyage, vérifiez que le brûleur n'est pas endommagé. Si vous trouvez des fissures ou des trous importants, remplacez le brûleur.

**ÉTAPE 01** Assurez-vous que le gaz est coupé au niveau des boutons de commande et de l'alimentation en gaz. Retirez le dessus de cuisson.

**ÉTAPE 02** Détachez et retirez avec précaution le brûleur.



**ÉTAPE 03** Passez plusieurs fois un goupillon à bouteille fin dans chaque tube du brûleur (n'utilisez pas de brosses métalliques).

**Autres méthodes:**

- a** Passez plusieurs fois un fil rigide plié en forme de petit crochet à travers chaque tube de brûleur.
- b** Utilisez un tuyau à air pour forcer l'air à entrer dans le tube du brûleur et à sortir par les orifices du brûleur. Vérifiez que l'air passe à travers chaque trou (portez des lunettes de protection).

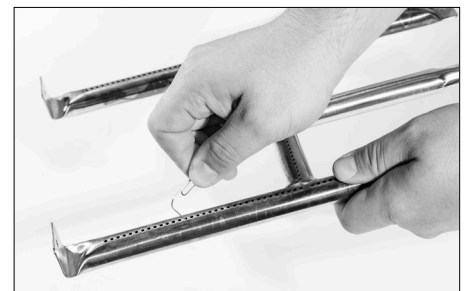


**ÉTAPE 04** Brossez toute la surface extérieure du brûleur pour enlever la saleté.



**ÉTAPE 05** Nettoyez tous les ports bloqués avec un fil rigide, par exemple un trombone ouvert. Ensuite, remplacez soigneusement les brûleurs et rattachiez-les.

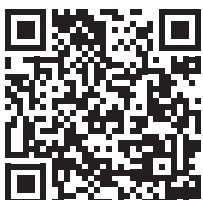
**TRÈS IMPORTANT:** Les tubes de brûleur doivent être réintroduits dans les orifices de la vanne.

**DIDACTICIEL VIDÉO**

How to Clean Your Burner Tube  
| Blackstone Griddle



[youtube.com/watch?v=xKQTCrFCzf8](https://www.youtube.com/watch?v=xKQTCrFCzf8)





## ENTRETIEN DU BRÛLEUR

*Dans la plupart des cas, brûler les résidus après la cuisson gardera le brûleur propre.*

- Assurez-vous que le flux d'air de combustion et de ventilation n'est pas obstrué.
- Le brûleur doit être retiré et nettoyé chaque année ou chaque fois qu'une accumulation importante ou des insectes / nids d'insectes sont détectés afin de s'assurer qu'il n'y a pas de blocage dans les hublots du brûleur ou les tubes de venturi.
- Utilisez un cure-pipe pour éliminer les obstructions. Une brosse métallique peut être utilisée pour éliminer la corrosion sur la surface des brûleurs.

## INSTRUCTIONS POUR L'ALLUMAGE AVEC ALLUMETTES

*Avant de commencer, vérifiez s'il y a des fuites de gaz. (Veuillez vous référer aux instructions de test de fuite dans le chapitre Carburant.)*

**ÉTAPE 01** Assurez-vous que la molette de commande est en position OFF.

**ÉTAPE 02** Retirer le dessus de cuisson.

**ÉTAPE 03** Allumez une allumette (ou un briquet long) d'au moins 27 cm (11 po) de long. Placez la flamme sur le côté droit ou gauche du brûleur.

**ÉTAPE 04** Enfoncez et tournez la molette de commande jusqu'à la position HAUTE. Assurez-vous que le brûleur s'allume et reste allumé.

## VÉRIFICATION DE LA FLAMME DU BRÛLEUR

*Vérifiez toujours la flamme du brûleur avant utilisation.*

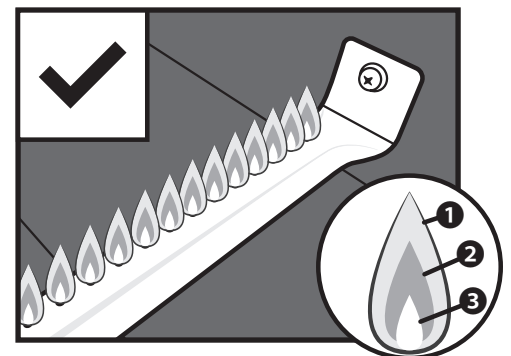
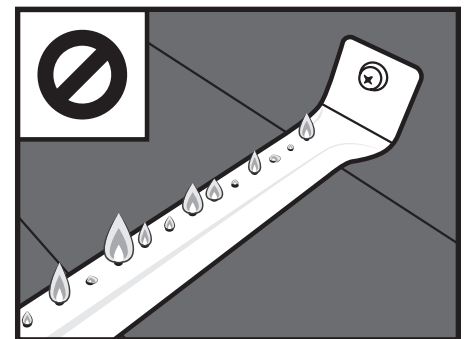
**ÉTAPE 01** Allumez les brûleurs et tournez les molettes de l'intensité élevée à faible. Lorsque la molette est placée sur intensité élevée, les flammes doivent être plus grosses que lorsque le bouton est en position d'intensité faible.

**ÉTAPE 02** Effectuez une vérification de la flamme du brûleur en regardant sous le dessus de cuisson sur le côté de l'appareil pour voir les brûleurs ci-dessous.

S'il y a une chute soudaine ou un problème de flamme faible, veuillez vous référer au chapitre Dépannage.

### ⚠ ATTENTION

Un tube de brûleur bouché peut provoquer un incendie sous l'appareil.



Les flammes saines peuvent avoir quelques scintillements de couleur jaune **1**, puis de couleur bleu foncé **2**, suivis d'un bleu vif par le tube du brûleur **3**.



## DIDACTICIEL VIDÉO

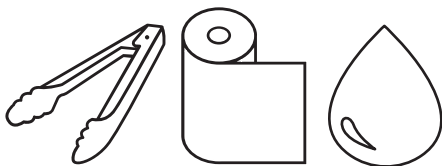
How to Season a New Blackstone Griddle | Blackstone Griddle



[youtube.com/watch?v=VspmDVnj2pl&t=3s](https://www.youtube.com/watch?v=VspmDVnj2pl&t=3s)



**NOTEZ S'IL VOUS PLAÎT:** De petites variations dans la fabrication et les matières premières peuvent entraîner une légère déformation de certaines plaques. Une légère déformation disparaîtra lorsque la plaque chauffante sera chauffée en préparation de la cuisson.



**OUTILS NÉCESSAIRES:** Pinces de cuisine, essuie-tout et huile de cuisson

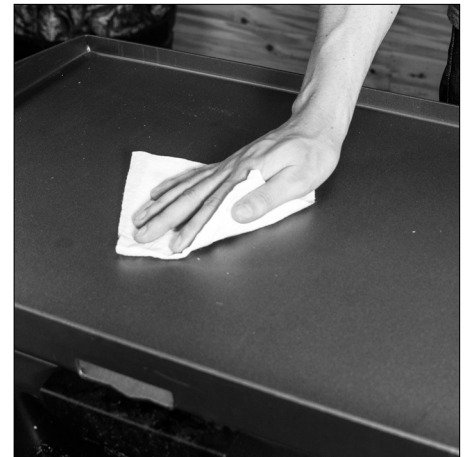
## Section 03

# INSTRUCTIONS D'ASSAISONNEMENT PLAQUE CHAUFFANTE

*Pour de meilleurs résultats, nous avons recommandé d'apprêter la plaque de cuisson avant de commencer à s'en servir.*

**ÉTAPE 01** Assurez-vous que le dessus de la plaque chauffante est nettoyé des débris. (Pour le premier nettoyage, veuillez consulter la section Nettoyer le dessus de votre plaque chauffante)

**Les plaques de cuisson Blackstone sont prétraitées avec de l'huile de soja comme revêtement protecteur. Ce revêtement peut laisser une décoloration sur le dessus de la plaque chauffante. Ceci est normal et n'affectera pas le processus d'assaisonnement.**



**ÉTAPE 02** Réglez votre plaque chauffante à feu vif jusqu'à ce que le dessus de votre plaque change de couleur. Utilisez des pinces pour tenir une serviette en papier ou un chiffon en coton et étalez 2-3 cuillères à soupe de votre huile d'assaisonnement sur la surface de la plaque chauffante.



**Lorsque vous assaisonnez votre plaque chauffante, n'oubliez pas d'utiliser une couche d'huile fine et uniforme - plus la couche d'huile est fine, plus il sera facile de la brûler.**



**ÉTAPE 03** Vous saurez que c'est fait quand il arrête de fumer. Vous voudrez répéter cela 3-4 fois pour votre assaisonnement initial.

**La chaleur de la plaque chauffante décomposera l'huile et la liera au métal, créant un nouveau polymère qui agit comme une couche antiadhésive et protectrice sur la plaque chauffante.**







## POURQUOI DOIS-JE ASSAISONNER MA PLAQUE CHAUFFANTE?

L'assaisonnement laisse une couche protectrice dure collée à la surface de l'acier.

- Résistance naturelle au bâton.
- Empêche la rouille et la corrosion.



## DÉPANNAGE DE L'ASSAISONNEMENT DE LA PLAQUE CHAUFFANTE

### SYMPTÔMES

01. Après l'assaisonnement, il y a un résidu brunâtre sur la surface de la plaque chauffante.

#### CAUSES POSSIBLES

01. Trop d'huile a été utilisée.
02. Vous avez éteint le chauffage trop tôt.

#### SOLUTION

Tout d'abord, allumez votre plaque chauffante et laissez-la chauffer pendant 10 à 15 minutes.

Ensuite, grattez autant d'huile épaissie et partiellement cuite que possible.

Ensuite, assaisonnez de nouveau avec une très fine couche d'huile.

### SYMPTÔMES

01. Après l'assaisonnement, la surface de la plaque chauffante n'est pas noire.
02. La nourriture colle à la surface de la plaque chauffante.

#### CAUSES POSSIBLES

01. Les coins et les bords n'ont pas le même accès à la chaleur directe des brûleurs, ce qui rend l'assaisonnement plus difficile à assombrir comme le reste de la plaque chauffante.

#### SOLUTION

Appliquez une fine couche d'huile entre les cuissons pour maintenir la surface de cuisson assaisonnée. (Veuillez consulter la section Nettoyer le dessus de votre plaque chauffante.)

Après avoir utilisé votre plaque chauffante pour plusieurs cuisiniers, l'assaisonnement s'égalisera et s'améliorera.

Pour un dépannage supplémentaire, veuillez consulter le chapitre Dépannage.

Pour les questions fréquemment posées, visitez [blackstoneproducts.com/faq](http://blackstoneproducts.com/faq)

### ⚠ MISE EN GARDE

**Les clients des climats humides ou côtiers peuvent avoir besoin d'assaisonnements plus fréquents et d'utiliser des huiles de cuisson plus lourdes pour éviter la rouille et la corrosion.**

## QUELLE HUILE EST PRÉFÉRABLE D'UTILISER?

Le conditionneur **Blackstone Seasoning and Cast Iron Conditioner** est le moyen le meilleur et le plus simple d'obtenir des résultats uniformes. Ce mélange unique d'huiles combine le meilleur de nombreuses huiles de cuisson différentes.



### *Puis-je utiliser une huile de qualité alimentaire?*

Oui, mais différentes huiles peuvent varier dans le processus de la durée de combustion, du point de fumée et de la durabilité une fois terminé.

**Si vous préférez utiliser une graisse animale pour l'assaisonnement, n'utilisez que des graisses fondues (suif pur, schmaltz, etc.) sans additif.**

**⚠ DANGER**

Ne placez pas d'objets inflammables sur les étagères latérales près de la plaque de cuisson. Les aérosols sont particulièrement dangereux, car **ils peuvent surchauffer et provoquer une explosion, un incendie, des blessures graves, voire la mort.**

**⚠ ATTENTION**

Ne placez pas de serviettes huileuses ou graisseuses près de la plaque à frire car elles peuvent brûler spontanément.

**⚠ MISE EN GARDE**

Le godet à graisse doit être retiré et vidé après chaque utilisation.

Ne retirez pas le bac à graisse tant que la plaque chauffante n'est pas complètement refroidie.

**POUR CHAQUE SURFACE DE PLAQUE CHAUFFANTE**

Le **Blackstone Griddle Degreaser and Cleaning Spray** est suffisamment doux pour nettoyer toutes les surfaces de votre plaque chauffante. Utilisez-le sur le dessus de la plaque chauffante, le cadre de la plaque chauffante ou partout où il y a une accumulation de graisse.

**Section 04****NETTOYER LE DESSUS DE VOTRE PLAQUE CHAUFFANTE**

Suivez ces étapes de nettoyage simples pour assurer des performances et une longévité optimales de votre plaque chauffante Blackstone.

**ÉTAPE 01** Pour nettoyer la plaque après chaque utilisation, laissez-la refroidir à une température inférieure à 150 °C. Grattez les débris alimentaires avec une spatule ou un grattoir droit.



**ÉTAPE 02** Essuyez la surface de la plaque de cuisson avec de l'essuie-tout.



**ÉTAPE 03** Divisez la surface de la plaque chauffante en sections d'environ 15 cm (6 po) (largeur du grattoir). Appliquez de l'eau sur la première section à l'aide d'une bouteille compressible, puis raclez l'eau et les débris vers le bac à graisse. Passez à la section de 15 cm suivante et répétez l'opération.

**N'UTILISEZ PAS PLUS DE DEUX CUILLÈRES À SOUPE D'EAU À LA FOIS.**

(Pour les résidus alimentaires collés, utilisez un peu de gros sel.)

**ÉTAPE 04** Essuyez à nouveau avec de l'essuie-tout et laissez sécher complètement.



**ÉTAPE 05** Appliquez une fine couche d'huile de cuisson pour maintenir l'apprêtage.





## PREMIER NETTOYAGE

Les plaques Blackstone sont pré-traitées avec de l'huile de cuisson pour éviter la rouille et les dommages pendant le transport. Pour la première utilisation, lavez la plaque à l'eau chaude savonneuse.

### **C'EST LE SEUL MOMENT OÙ VOUS DEVRIEZ UTILISER DU SAVON SUR LA SURFACE DE CUISSON DE LA PLAQUE.**

Rincez et laissez sécher complètement. Continuez en suivant les instructions d'apprêtage. (Veuillez vous référer à la section Instructions d'assaisonnement pour plaque chauffante)

## PROTÉGER VOTRE PLAQUE CHAUFFANTE

Rangez la plaque chauffante dans un endroit frais et sec. Couvrez toujours la plaque chauffante si elle est stockée à l'extérieur. Choisissez parmi une variété de couvercles de plaque chauffante offerts par Blackstone.

Lorsque vous protégez la plaque chauffante avec un couvercle souple, utilisez la méthode de « tente » pour empêcher l'eau de s'accumuler sur le dessus de la plaque chauffante. La « tente » consiste à placer un objet (un bol, une balle de tennis ou un tuyau en PVC) sous une couverture souple au centre de la plaque chauffante afin de permettre à l'eau de glisser. La « tente » aide à prévenir la rouille.

## DÉCOUPE SUR LE DESSUS DE LA PLAQUE CHAUFFANTE

L'utilisation d'un couteau directement sur la surface de la plaque chauffante n'endommagera pas le dessus de la plaque chauffante.

## ENLEVER LA ROUILLE

Si de la rouille apparaît sur la surface de la plaque chauffante, frottez-la avec de la laine d'acier, du papier de verre à faible grain ou de la **Blackstone Pumice Stone** et ré-assaisonnez la surface.

*Recovering your Blackstone Griddle Top*



[youtube.com/watch?v=thPE2lgnSil](https://www.youtube.com/watch?v=thPE2lgnSil)



## **⚠ ATTENTION**

**N'APPLIQUEZ JAMAIS D'EAU FROIDE SUR UNE PLAQUE DE CUISSON CHAUDE.** Cela peut provoquer une déformation.

L'ajout d'une grande quantité d'aliments froids ou congelés (ou d'aliments avec une teneur en eau importante) sur une plaque de cuisson chaude peut la déformer.

## **⚠ MISE EN GARDE**

**NE PAS UTILISER DE SAVON SUR LA SURFACE DE CUISSON DE LA PLAQUE.** Cela éliminera l'apprêtage de la plaque de cuisson.

## VIDÉOS DE MONTAGE

Visionnez les vidéos d'assemblage de produits et d'assistance technique en ligne sur [blackstoneproducts.com/support](https://blackstoneproducts.com/support) et sur YouTube [@BlackstoneGriddles](https://www.youtube.com/@BlackstoneGriddles)





# RECETTES POUR LE DÉJEUNER ET LE DÎNER

## BURGER À L'OIGNON FRIT OKLAHOMA

🍴 Pour 4 | ⌚ 7 minutes

### Ingrédients

- 1/2 livre de boeuf haché 80/20
- 1 oignon Vidalia (ou doux) (tranché finement en papier)
- 4 tranches de fromage américain
- 1/4 tasse de chips de cornichon à l'aneth
- Sel

**ÉTAPE 01** Préchauffez votre Blackstone à feu vif.

**ÉTAPE 02** Faire quatre (4) 2 oz boulettes de viande légèrement tassées avec le bœuf haché et placer sur la plaque chauffante chaude. Ajoutez une pincée de sel sur chacun et à l'aide de votre **Blackstone Burger Press**, écrasez-les très finement.

**ÉTAPE 03** Cuire 60-90 secondes et retourner pour que les oignons soient sous la galette. Ajoutez 1 tranche de fromage américain à chaque galette, puis placez le petit pain du haut sur le fromage, puis le petit pain du bas sur le petit pain du haut. Cuire encore 60 secondes.

**ÉTAPE 04** Pour préparer l'assiette, retirez le pain du bas du haut et placez-le sur l'assiette. Utilisez votre spatule pour soulever le hamburger avec le petit pain du haut et ajoutez-le au petit pain du bas.

**ÉTAPE 05** Servir chaud avec quelques chips de cornichon à l'aneth.

### RECETTES VIDÉO:

Trouvez plus d'inspiration et de recettes sur



[blackstoneproducts.com/  
blogs/recipes](https://blackstoneproducts.com/blogs/recipes)



[youtube.com/c/  
BlackstoneGriddles](https://youtube.com/c/BlackstoneGriddles)



@blackstoneproducts



# RECETTES POUR LE PETIT DÉJEUNER

## CRÊPES AMÉRICAINES AUX FRAISES ET À LA CRÈME

Recette de Danielle Zechmann



**ÉTAPE 01** Séparer l'œuf et fouetter le blanc d'œuf jusqu'à formation de pics fermes. Mettre de côté.

**ÉTAPE 02** Préparez votre garniture au fromage à la crème. Mélanger le fromage à la crème, le sucre et le jus de citron. Ensuite, tournez à basse vitesse et ajoutez la crème fouettée. Mettre de côté.

**ÉTAPE 03** Commencez votre sirop de fraise. Dans une casserole, ajouter les fraises hachées, le sucre, le jus de citron et laisser mijoter sur la plaque chauffante ou sur le brûleur latéral jusqu'à ce que le jus ait légèrement épaissi. (Environ 20-25 min.)

**ÉTAPE 04** Dans un bol à mélanger, mélanger tous les ingrédients secs de la crêpe.

**ÉTAPE 05** Dans un bol séparé, mélanger le jaune d'œuf, le lait, le jus de citron, la ricotta, le beurre et la vanille.

**ÉTAPE 06** Ajouter lentement les ingrédients secs et mélanger jusqu'à ce qu'ils soient combinés.

**ÉTAPE 07** Incorporer délicatement les blancs d'œufs et les morceaux de fraises au mélange à crêpes.

**ÉTAPE 08** Préchauffer la plaque chauffante à moyen. Faire fondre une cuillère à soupe de beurre sur une plaque chauffante et étaler autour. Verser 1/4 tasse de mélange à crêpes sur la plaque chauffante et laisser cuire jusqu'à ce que des bulles commencent à se former et que les bords soient légèrement dorés. Environ 3-4 minutes. Retourner et cuire encore 3 minutes.

**ÉTAPE 09** Une fois que toutes vos crêpes sont cuites, prenez une assiette et commencez à superposer vos crêpes. Commencez par une crêpe, puis étalez une partie de la garniture au fromage à la crème et recouvrez de sirop de fraise.

### Garniture au fromage à la crème

- 8 onces de fromage à la crème, température ambiante
- 3 cuillères à soupe de sucre
- 2 cuillères à soupe de jus de citron
- 2/3 tasse de crème à fouetter

### Sirop de fraise

- 1 pinte de fraises coupées en morceaux (congelé c'est bien)
- 1/4 tasse de sucre
- 2 cuillères à soupe de jus de citron

🍴 Pour 6 | ⌚ 45 minutes

### Ingrédients Crêpes

- 1 œuf, séparé
- 1/2 tasse de lait
- 1/3 tasse de ricotta
- 2 cuillères à soupe de beurre fondu
- 1 cuillère à café d'extrait de vanille pur
- 2 cuillères à café de jus de citron
- 5 fraises coupées en morceaux (congelé c'est bien)

### INGRÉDIENTS SECS

- 2/3 tasse de farine tout usage
- 2 cuillères à café de levure chimique
- 1 cuillère à soupe de sucre
- une pincée de sel

### RECETTES VIDÉO:

Trouvez plus d'inspiration et de recettes sur



[blackstoneproducts.com/  
blogs/recipes](https://blackstoneproducts.com/blogs/recipes)



[youtube.com/c/  
BlackstoneGriddles](https://youtube.com/c/BlackstoneGriddles)



@blackstoneproducts



# RECETTES POUR LE DÉJEUNER ET LE DÎNER

## TACOS IVRES

🍴 Pour 4 | ⌚ 2 à 4 heures

### Ingrédients

- 12 oz de bière blonde
- 2 lb de bifteck de surlonge
- 1 bouquet de coriandre (hachée finement)
- 1/4 d'oignon blanc (finement haché)
- 1/4 cuillère à soupe de poivre noir
- 4 gousses d'ail (hachées en gros morceaux)
- 1/4 tasse d'huile végétale
- 24 tortillas (petites tortillas de 4,5 po)
- Sel (au goût)

**ÉTAPE 01** Assaisonner les steaks de surlonge avec du sel et du poivre noir, en veillant à bien frotter le sel et le poivre dans les steaks.

**ÉTAPE 02** Trancher le steak en petits morceaux.

**ÉTAPE 03** Dans un sac en plastique, placez les morceaux de steak, les oignons, l'ail et la coriandre. Mélangez tous les ingrédients ensemble.

**ÉTAPE 04** Une fois tous les ingrédients mélangés, ajoutez petit à petit le contenu de la bouteille de bière (froide ou à température ambiante) dans le sac en plastique.

**ÉTAPE 05** Sortez l'air du sac en plastique et laissez la marinade de viande au réfrigérateur entre 2 et 4 heures.

**ÉTAPE 06** Lorsque la viande est prête, égouttez la bière et placez la viande sur une assiette.

**ÉTAPE 07** Préchauffer la plaque chauffante Blackstone à feu moyen pendant cinq minutes. Ensuite, ajoutez de l'huile végétale à la surface et laissez-la chauffer pendant trente secondes. Ajoutez votre steak préalablement mariné à la plaque chauffante Blackstone.

**ÉTAPE 08** Faites cuire le steak environ trois minutes ou jusqu'à ce que le steak soit bien cuit et placez-le dans un bol.

**ÉTAPE 09** Étalez tous les jus de steak restants dans la plaque chauffante et placez les tortillas sur le dessus jusqu'à ce que les tortillas soient cuites (les tortillas changent légèrement de couleur et deviennent malléables), en retournant les tortillas de temps en temps.

**ÉTAPE 10** Pour faire les tacos, placez une tortilla sur l'autre (deux tortillas ensemble). Avec une cuillère, placez le steak sur les tortillas et garnir d'oignon blanc finement haché et de coriandre. Vous pouvez également ajouter votre salsa préférée.

### RECETTES VIDÉO:

Trouvez plus d'inspiration et de recettes sur



[blackstoneproducts.com/  
blogs/recipes](https://blackstoneproducts.com/blogs/recipes)



[youtube.com/c/  
BlackstoneGriddles](https://youtube.com/c/BlackstoneGriddles)



@blackstoneproducts



# GARANTIE D'UN AN DE NORTH ATLANTIC IMPORTS LLC

North Atlantic Imports, le fabricant, garantira toutes les pièces, la fabrication et les finitions pendant un an. Le fabricant aura le choix de réparer ou de remplacer l'un des éléments ci-dessus. Toutes les garanties sont limitées à l'acheteur d'origine uniquement. Cette garantie ne couvre pas la responsabilité de North Atlantic Imports, de ses agents ou de ses employés, pour les dommages indirects ou consécutifs résultant d'une violation de garantie. L'acheteur doit suivre les instructions d'utilisation du fabricant.

Le fabricant n'est en aucun cas responsable des dommages résultant de l'incapacité à utiliser correctement l'appareil de cuisson. Il incombe à l'acheteur d'établir la période de garantie en vérifiant la date d'achat d'origine à l'aide du reçu de vente.

*Pour une explication plus approfondie de la garantie, lisez le message ci-dessous:*

North Atlantic Imports LLC garantit au propriétaire que le produit couvert par cet accord est exempt de défauts de matériaux et de fabrication dans des conditions normales d'utilisation et de service pour lesquelles il a été conçu si, mais seulement si, il a été utilisé conformément à North Atlantic Imports LLC. instructions exclusivement à usage domestique, et non à des fins associatives privées ou publiques, institutionnelles ou commerciales.

L'obligation de North Atlantic Imports LLC en vertu de cette garantie est limitée au remplacement ou à la réparation, gratuitement, de toute pièce ou pièces qui pourraient s'avérer, à la satisfaction de North Atlantic Imports LLC, être défectueuses dans des conditions normales d'utilisation et d'entretien à domicile dans les périodes indiquées ci-dessous. de temps à compter de la date d'achat ; pendant un an à compter de l'achat, toutes les pièces, la finition et la fabrication. Si un non-respect de cette garantie devenait apparent pendant les périodes de garantie applicables indiquées ci-dessus, l'acheteur d'origine doit informer North Atlantic Imports LLC de la violation de la garantie pendant la période de garantie applicable.

North Atlantic Imports LLC, après notification et conformité de l'acheteur d'origine à ces instructions, corrigera cette non-conformité en réparant ou en remplaçant la ou les pièces défectueuses.

La correction de la manière indiquée ci-dessus constituera l'accomplissement de toutes les obligations de North Atlantic Imports LLC en ce qui concerne la qualité du produit.

North Atlantic Imports LLC ne garantit pas que cet équipement réponde aux exigences de tout code de sécurité d'un État, d'une municipalité ou d'une autre juridiction, et l'acheteur d'origine assume tous les risques et toutes les responsabilités résultant de son utilisation, qu'elle soit utilisée conformément à North Atlantic Imports. instructions LLC ou autre.

Cette garantie ne couvre pas et est destinée à exclure toute responsabilité de la part de North Atlantic, ses agents, préposés ou employés que ce soit en vertu de cette garantie ou implicite par la loi pour tout dommage indirect ou consécutif pour violation de toute garantie. L'acheteur doit établir toutes les périodes de garantie applicables conformément à cette garantie en vérifiant la date d'achat d'origine

en produisant le reçu de vente daté. Cette garantie ne s'appliquera pas à ce produit ou à toute autre partie de celui-ci qui a fait l'objet d'un accident, d'une négligence, d'une altération, d'un abus ou d'une mauvaise utilisation ou qui a été réparé ou modifié sans le consentement écrit de North Atlantic, en dehors de l'usine North Atlantic Imports LLC. La garantie complète du fabricant n'est pas valable pour les plaques chauffantes achetées auprès de revendeurs tiers sans licence, achetées à prix réduit en raison de pièces manquantes ou endommagées, ou achetées comme modèle de sol ; à la discrétion des Importations de l'Atlantique Nord.

North Atlantic Imports LLC n'offre aucune garantie concernant les accessoires ou les pièces qui ne sont pas fournis avec. Cette garantie ne s'appliquera qu'à l'intérieur des frontières des États-Unis d'Amérique. Cette garantie donne à l'acheteur d'origine des droits spécifiques, et l'acheteur d'origine peut également avoir d'autres droits, qui varient d'un État à l'autre.





MANUAL DEL PROPIETARIO

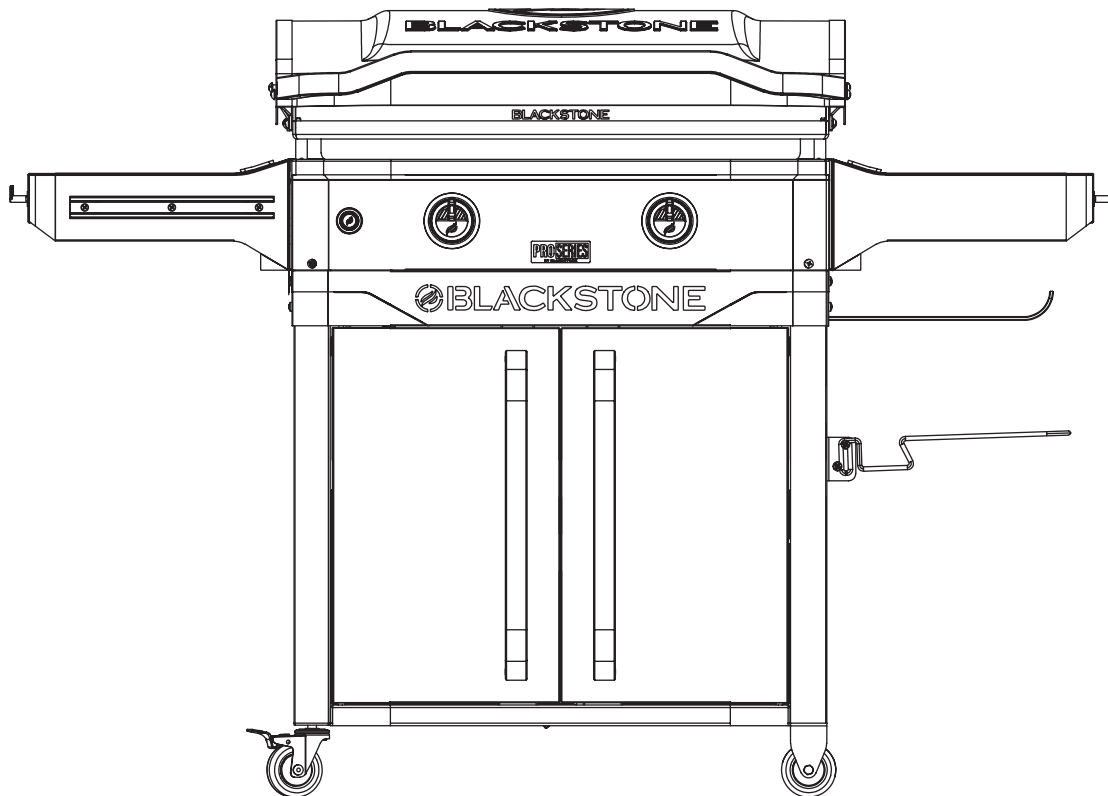
**Modelo 2007** v09

# PLANCHA DE 28"

## CON CAMPANA Y ARMARIO



CONFORME A ANSI STD. Z 21.58-2018  
CERTIFICADO A CSA STD. 1.6-2018  
AL AIRE LIBRE APARATOS DE COCINA A GAS.



Consulte [blackstoneproducts.com/support](http://blackstoneproducts.com/support) para obtener la última versión de este manual y seguir los videos de montaje.

**⚠ ADVERTENCIA**

**INSTALADOR / ENSAMBLADOR:**  
Dé estas instrucciones al consumidor.

**CONSUMIDOR:**  
Guarde este manual para futuras referencias.

**⚠ ADVERTENCIA**

Este manual de instrucciones contiene información importante necesaria para el montaje adecuado y el uso seguro del aparato.

**⚠ ADVERTENCIA**

Lea todas las advertencias e instrucciones antes de armar el aparato y mientras lo usa. Siga todas las advertencias e instrucciones mientras usa el aparato.

**⚠ ADVERTENCIA**

Las piezas accesibles pueden estar muy calientes. Mantenga a los niños y las mascotas alejados del aparato en todo momento. Este aparato no está diseñado para que lo utilicen niños. Es necesaria una estrecha supervisión cuando cualquier aparato sea utilizado por niños o cerca de ellos.

**⚠ ADVERTENCIA**

Este aparato no está diseñado para ser usado como un calentador.

**No lo utilice para fines distintos a los previstos.**

**No modifique este aparato.**

**⚠ PELIGRO**

Nunca coloque ningún artículo a menos de 3 pu (20 cm) de la superficie de cocción mientras esté en uso. Esta área puede calentarse mucho y dañar potencialmente cualquier accesorio que se coloque demasiado cerca.

**⚠ PELIGRO**

**No almacene ni use gasolina u otros líquidos o vapores inflamables cerca de este o cualquier otro electrodoméstico.**

**No almacene un cilindro de GLP de repuesto debajo o cerca de este aparato.**

Si no se siguen exactamente estas instrucciones, se puede producir un incendio que cause la muerte o lesiones graves.

**⚠ PELIGRO****SI HUELES GAS:**

1. Cierre el gas al electrodoméstico.
2. Extinga cualquier llama abierta.
3. Tapa abierta.
4. Si el olor persiste, manténgase alejado del electrodoméstico e inmediatamente llame a su proveedor de gas o al departamento de bomberos.

El incumplimiento de estas instrucciones podría provocar un incendio o una explosión que podría causar daños a la propiedad, lesiones personales o la muerte.

**⚠ PELIGRO**

Si se produjera un incendio, manténgase alejado del aparato y llame de inmediato a su departamento de bomberos. No intente extinguir un aceite o grasa con agua.

**⚠ PELIGRO**

**ÚSELO SOLO EN ÁREAS BIEN VENTILADAS. PELIGRO DE MONÓXIDO DE CARBONO: EL USO DE ESTE APARATO EN UN ESPACIO CERRADO PUEDE CAUSAR LA MUERTE.**

**⚠ PELIGRO**

- Este electrodoméstico es solo para uso en exteriores y no debe usarse en un edificio, garaje o cualquier otra área cerrada.
- Este electrodoméstico no debe usarse sobre o debajo de ningún apartamento o balcón o terraza de condominio.

**⚠ PELIGRO**

**NO USE ESTE APARATO DENTRO O SOBRE VEHÍCULOS RECREATIVOS, CARAVANAS, TIENDAS DE CAMPAÑA, EMBARCACIONES MARINAS, BOTES, AUTOMÓVILES, CASAS RODANTES O LUGARES SIMILARES.**



# CONSEJOS DE COCINA

## FUEGO LENTO:

*Cocina lentamente y requiere más tiempo.*

*Descompone el tejido conectivo y la grasa para una comida tierna y húmeda.*

- Cortes de carne grasos y gruesos. (por ejemplo: filete de ternera, pechuga, muslos de pollo, costillas cortas)
- Mariscos delicados (por ejemplo: pulpo, calamar)

## FUEGO MEDIO:

*Calor estable, toma el tiempo promedio que esperaría para panqueques, huevos, tostadas y más.*

*Para alimentos más susceptibles al calor. Dorar sin cocinar demasiado.*

- Pescado (entero o en trozos)
- La mayoría de los mariscos
- Verduras (cocine al vapor con la **Blackstone Basting Dome** para obtener el mejor sabor)
- Panqueques
- Huevos

## CALOR ALTO:

*Cocina las comidas rápido y en poco tiempo.*

*La cocción lenta secaría estos cortes y los haría horribles de comer ya que son bajos en grasa.*

- Cortes magros de carne. (por ejemplo: pechuga de pollo, lomo, bistec de falda, flanc)

## VÍDEO RECETAS

¡Aprenda a usar su nuevo Blackstone con nuestros Blackstone Chefs!

Cocine fácilmente miles de deliciosas recetas para el desayuno, el almuerzo y la cena. Desde carnes rojas y mariscos hasta veganos y postres, puedes cocinar cualquier cosa, en cualquier momento y en cualquier lugar.



[youtube.com/c/BlackstoneGriddles](https://www.youtube.com/c/BlackstoneGriddles)

## ⚠️ ADVERTENCIA

Ce produit peut vous exposer à des produits chimiques, notamment le phtalate de di(2-éthylhexyle) (DEHP), qui est connu dans l'État de Californie pour provoquer le cancer et des malformations congénitales ou d'autres problèmes de reproduction, et le phtalate de diisononyl (DINP), qui est connu du État de Californie pour causer le cancer. Pour plus d'informations, allez à [www.P65Warnings.ca.gov](http://www.P65Warnings.ca.gov).

## ⚠️ ADVERTENCIA

Les carburants utilisés dans les appareils à gaz propane liquéfié et les produits de combustion de tels carburants peuvent vous exposer à des produits chimiques, notamment le benzène, connu de l'État de Californie pour causer le cancer et causer des malformations congénitales ou d'autres problèmes de reproduction. Pour plus d'informations, visitez [www.P65Warnings.ca.gov](http://www.P65Warnings.ca.gov).

## PRECAUCIONES DE SEGURIDAD PARA LA INSTALACIÓN

La instalación del dispositivo debe cumplir con los códigos locales, o en ausencia de códigos locales, con el Código nacional de gas combustible, ANSI Z223.1/NFPA 54, el Código de instalación de gas natural y propano, CSA B149.1, o el Código de almacenamiento y manejo de propano, B149.2, o la norma para Vehículos Recreativos, NFPA 1192, y la Serie CSA Z240 RV, Código de Vehículos Recreativos, según corresponda.

*Esta plancha tiene certificación de seguridad para su uso en los Estados Unidos y/o Canadá únicamente. No la modifique para usar en ninguna otra ubicación. La modificación resultará en un peligro para la seguridad.*



# TABLA DE CONTENIDO

*Es responsabilidad del consumidor asegurarse de que la unidad esté correctamente ensamblada, instalada y mantenida. El incumplimiento de las instrucciones de este manual puede provocar lesiones corporales y / o daños a la propiedad.*

## CONTENIDO

<b>01. REGISTRE SU PRODUCTO.....</b>	<b>01</b>
<b>02. POR SU SEGURIDAD .....</b>	<b>02</b>
Sección 01. Seguridad alimenticia .....	02
Sección 02. Seguridad del aparato de gas.....	03
<b>03. GUÍA DE MONTAJE .....</b>	<b>04</b>
<b>04. COMBUSTIBLE   CILINDRO DE PROPANO DE 20 LB (9 KG) ....</b>	<b>12</b>
Sección 01. Requisitos del cilindro GPL.....	12
Sección 02. Conexión y remoción.....	13
Sección 03. Instrucciones de prueba de fugas .....	15
<b>05. ENCENDIDO   BATERÍA.....</b>	<b>16</b>
<b>06. SOLUCIÓN DE PROBLEMAS .....</b>	<b>17</b>
Sección 01. Encendido batería .....	17
Sección 02. Flujo de gas.....	18
<b>07. CUIDADO Y MANTENIMIENTO.....</b>	<b>20</b>
Sección 01. Cuidado general .....	20
Sección 02. Limpieza del conjunto del quemador .....	22
Sección 03. Instrucciones de curación de la plancha .....	24
Sección 04. Limpieza de la parte superior su plancha .....	26
<b>08. RECETAS .....</b>	<b>28</b>
<b>09. GARANTÍA .....</b>	<b>31</b>

## LLAVE DE ALERTA DE SEGURIDAD

Lea y siga todos los avisos que se encuentran en el manual.

### PELIGRO

Indica una situación de peligro inminente que, si no se evita, puede causar la muerte o lesiones graves.

### ADVERTENCIA

Indica la posibilidad de lesiones corporales graves si no se siguen las instrucciones.

### PRECAUCIÓN

Indica una situación potencialmente peligrosa que, si no se evita, puede resultar en una lesión moderada.



# REGISTRE SU PRODUCTO

El registro permite a nuestros Representantes de Servicio al Cliente brindar asistencia rápidamente con su producto Blackstone si es necesario.

La garantía de 1 año de North Atlantic Imports LLC cubre piezas de repuesto hasta un año después de la fecha de compra. (Consulte el capítulo Garantía para obtener más información).

Para habilitar esta garantía, deberá proporcionar:

☞ El número de serie de su producto Blackstone

**Model/Modèle/Modelo: XXXX**

SERIAL NO./N° DE SÉRIE/No. DE SERIE:  
**XXXXXXXXXXXXXX**

**GRATIS**  
LIBRO DE COCINA  
PARA DISPOSITIVOS  
MÓVILES  
cuando se registre

Su número de serie se puede encontrar en la etiqueta del fabricante de su producto Blackstone. (La etiqueta del fabricante es una calcomanía plateada grande que se encuentra en el cuerpo de su electrodoméstico).



Registre su producto Blackstone en [blackstoneproducts.com/register](https://blackstoneproducts.com/register)

Número de Modelo \_\_\_\_\_

Número de Serie \_\_\_\_\_

Fecha de Compra \_\_\_\_\_

¡NUESTRO PERSONAL DE SERVICIO AL CLIENTE ESTÁ AQUÍ PARA AYUDARLO!

Visítenos en línea en [blackstoneproducts.com/support](https://blackstoneproducts.com/support)

Nos complace ayudarlo con cualquier pregunta relacionada con el uso del aparato., las piezas de repuesto o su garantía.

Horario de atención al cliente:

**Lunes a viernes**  
**7:00 a.m. a 5:00 p.m (MST)**

**⚠ PELIGRO**

Nunca opere este aparato sin supervisión.

**⚠ ADVERTENCIA**

**NUNCA** ase parcialmente la carne o las aves y termine de cocinarlas más tarde. Cocine los alimentos completamente para destruir las bacterias dañinas.

**⚠ ADVERTENCIA**

El uso de alcohol, medicamentos recetados o sin receta puede afectar la capacidad del consumidor para ensamblar u operar el aparato de manera segura.

**⚠ PRECAUCIÓN**

Sólo para uso residencial y doméstico. No usar en una cocina comercial.

**⚠ PRECAUCIÓN**

Use utensilios de cocina de mango largo y guantes de cocina para protegerse contra quemaduras y salpicaduras.

**⚠ PRECAUCIÓN**

- No coloque recipientes vacíos para cocinar o freír sobre la superficie de cocción mientras esté en funcionamiento.
- Tenga cuidado al colocar cualquier cosa en el recipiente de cocción mientras el aparato está en funcionamiento.

# POR SU SEGURIDAD

*Antes de continuar, asegúrese de comprender la sección **POR SU SEGURIDAD** de este manual. Se pueden producir incendios o explosiones peligrosas si se ignoran las instrucciones.*

## Sección 01

### SEGURIDAD ALIMENTICIA

*La seguridad alimenticia es una parte importante de disfrutar la experiencia de cocinar al aire libre. Para mantener los alimentos a salvo de bacterias dañinas, siga estos cuatro pasos básicos:*

**LIMPIAR:** Lávese las manos, los utensilios y las superficies con agua jabonosa caliente antes y después de manipular carne y aves crudas.

**SEPARAR:** Separe las carnes y aves crudas de los alimentos listos para comer para evitar la contaminación cruzada. Use un plato y utensilios limpios cuando retire los alimentos cocidos de la plancha.

**COCINAR:** Cocine la carne y las aves exhaustivamente para matar las bacterias. Use un termómetro para asegurar la temperatura interna adecuada de los alimentos.

**FRÍO:** Refrigere los alimentos preparados y las sobras a la brevedad.

Para obtener más información, visite [foodsafety.gov](http://foodsafety.gov) o Canadian Partnership for Consumer Food Safety Education en línea en [befoodsafe.ca](http://befoodsafe.ca)

#### CÓMO DECIR SI LA CARNE ESTÁ ASADA COMPLETAMENTE

Las carnes y aves cocinadas con este aparato a menudo se doran muy rápido en el exterior.

Use un termómetro para carne para asegurarse de que los alimentos hayan alcanzado una temperatura interna segura y córtelos para verificar si hay signos visuales de cocción.

Al recalentar alimentos para llevar o carnes totalmente cocidas como hot dogs, cocine a 74° C (165 °F), o hasta que estén al vapor.

#### TEMPERATURAS DE COCCIÓN DE LA CARNE

##### 🐔 Aves de corral

165° F or 74° C

Los jugos deben correr claros y la carne no debe ser rosa.

##### 🐄 🐔 Hamburguesa de carne de res o de aves de corral

160° F or 71° C

Los jugos no deben ser rosados y la carne debe ser marrón en el medio.

##### 🐄 🐖 Filetes, chuletas y asados de res, ternera y cordero

145° F or 63° C

##### 🐷 TODOS los cortes de cerdo

160° F or 71° C

Los jugos no deben ser de color rosa.



## Sección 02

# SEGURIDAD DEL APARATO DE GAS

*Si la grasa u otro material caliente gotea del electrodoméstico sobre la válvula, manguera o regulador:*

**PASO 01** Apague el suministro de gas inmediatamente.

**PASO 02** Determine la causa y corríjala.

**PASO 03** Limpie e inspeccione la válvula, la manguera y el regulador antes de continuar.

**PASO 04** Realice una prueba de fugas. (Consulte las Instrucciones de prueba de fugas en el capítulo Combustible.)

Para problemas con este dispositivo, consulte el capítulo Solución de problemas.

## CÓDIGOS DE INSTALACIÓN DE GAS

Los aparatos deben usarse de acuerdo con los requisitos de instalación de su autoridad de suministro de gas, y deben construirse y marcarse de acuerdo con la norma aplicable:

- Los aparatos deben usarse de acuerdo con los requisitos de instalación de su autoridad de suministro de gas, y deben construirse y marcarse de acuerdo con la norma aplicable:
- Especificaciones para cilindros de GLP del Departamento de Transporte de EE. UU. (DOT)
- Estándar nacional de Canadá, CAN / CSA-B339, cilindros, esferas y tubos
- Especificaciones para cilindros de GLP, Transportes de Canadá (TC), Transporte de mercancías peligrosas (TDG)
- Estándar australiano AS / NZS 5601

**Consulte el collar del tanque de GLP para ver las marcas.**

### ⚠ ADVERTENCIA

Si el aparato no está en uso, el gas debe apagarse en el cilindro de suministro.

### ⚠ ADVERTENCIA

El almacenamiento de un electrodoméstico en el interior solo está permitido si el cilindro se desconecta y se retira del electrodoméstico. El sistema de suministro del cilindro debe estar preparado para la extracción de vapor.

### ⚠ ADVERTENCIA

Use este electrodoméstico, tal como la compró, solo con el gas y el conjunto de regulador/válvula suministrado. Los reguladores de presión de reemplazo y los conjuntos de manguera deben ser los especificados por el fabricante del electrodoméstico.

### ⚠ PELIGRO

Quando no esté en uso, **APAGUE** el artefacto girando las perillas de control del artefacto a la posición **APAGADO** y cerrando la válvula de combustible.

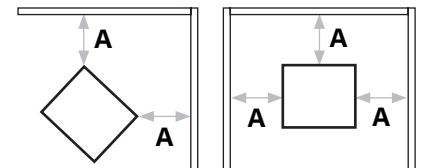
Si no se sigue exactamente la información en las declaraciones anteriores, pueden ocurrir lesiones graves, incendios o la muerte.

### ⚠ PELIGRO

Quando cocine con aceite o grasa, tenga a mano un extintor de incendios tipo BC o ABC.

### ⚠ PELIGRO

No opere este electrodoméstico a menos de 36 pulgadas (1 m) de los lados y la parte posterior del electrodoméstico. No use este aparato debajo de superficies combustibles elevadas.



**A = 36" (1 m)**

### ⚠ PRECAUCIÓN

No mueva el aparato cuando esté en uso. Deje que el recipiente de cocción se enfríe a 115° F (45° C) antes de moverlo o almacenarlo.

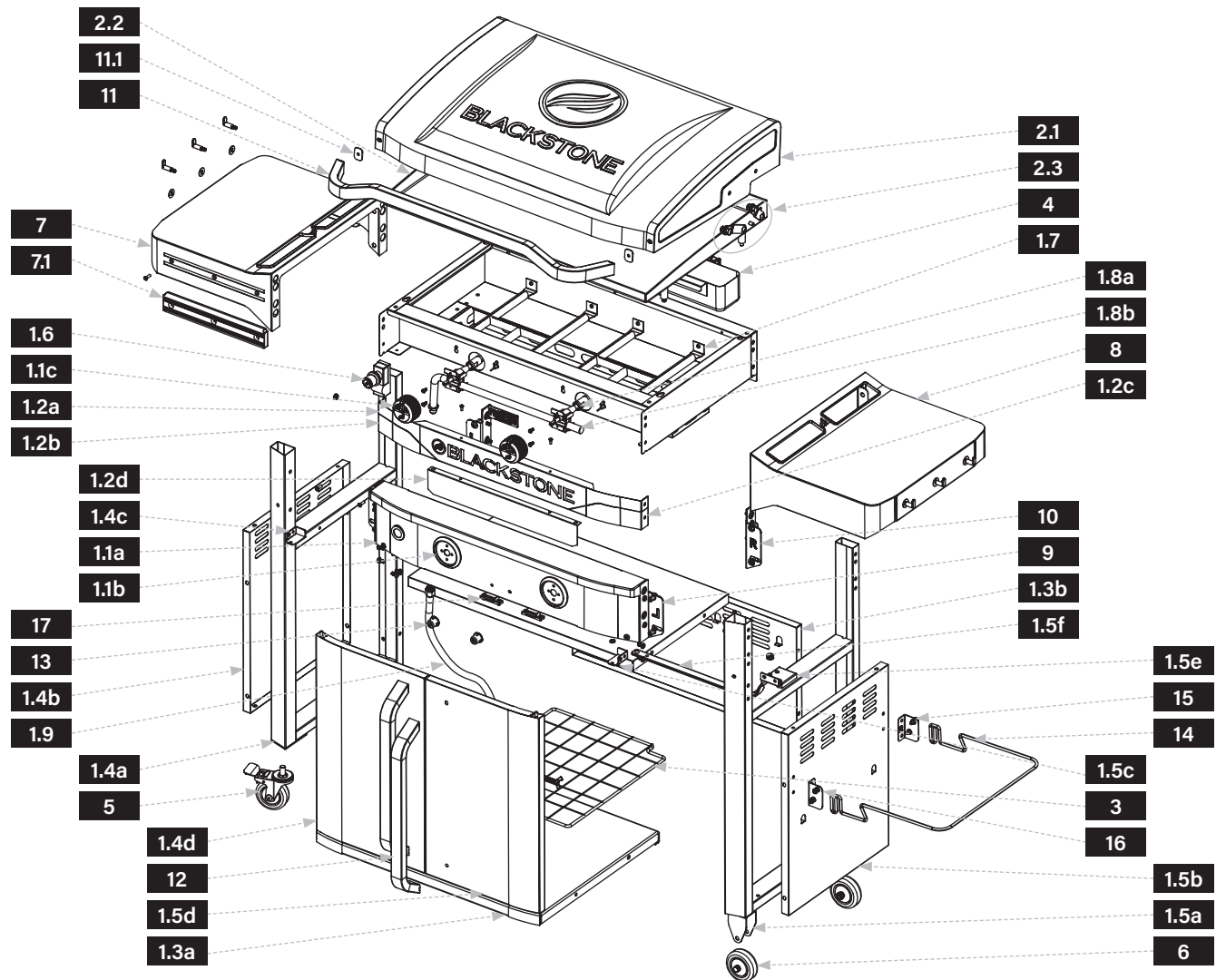
## SEGURIDAD DEL REGULADOR

Si le régulateur tombe en panne dans l'unité, il doit être remplacé par un modèle approuvé par Blackstone et ne doit être remplacé que par un revendeur agréé et agréé par un professionnel. Le non-respect annulera la garantie.



# GUÍA DE MONTAJE

## VISTA EN DESPIECE ORDENADO



PIEZAS	CTD
<b>1.1a</b> Panel de control	1
<b>1.1b</b> Biseles de perilla de control	2
<b>1.1c</b> Perillas de control	2
<b>1.2a</b> Panel frontal con logo	1
<b>1.2b</b> Panel decorativo izquierdo	1
<b>1.2c</b> Panel decorativo derecho	1
<b>1.2d</b> Panel de fondo naranja	1
<b>1.3a</b> Base de carro	1



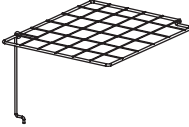
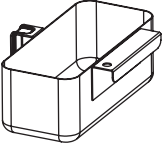
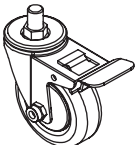
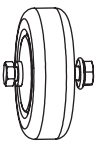

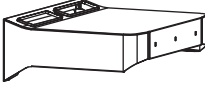
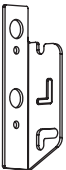

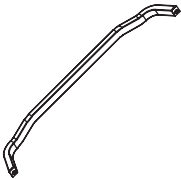
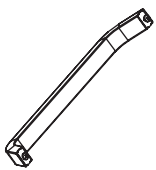

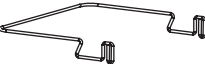



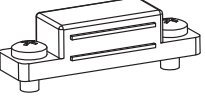
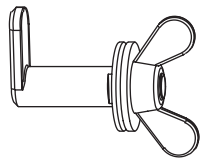
PIEZAS	CTD
<b>1.3b</b> Panel trasero del carro	1
<b>1.4a</b> Montaje de la pierna izquierda	1
<b>1.4b</b> Panel de carro izquierdo	1
<b>1.4c</b> Soporte de la puerta del armario izquierdo	1
<b>1.4d</b> Puerta izquierda del armario	1
<b>1.5a</b> Montaje de la pierna derecha	1

PIEZAS	CTD
<b>1.5b</b> Panel de carro derecho	1
<b>1.5c</b> Soporte de la puerta del armario derecho	1
<b>1.5d</b> Puerta derecha del armario	1
<b>1.5e</b> Soporte para toallas de papel	1
<b>1.5f</b> Soporte para toallas de papel	1
<b>1.6</b> Encendido	1
<b>1.7</b> Quemadores H	2

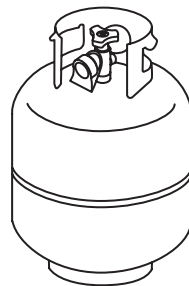




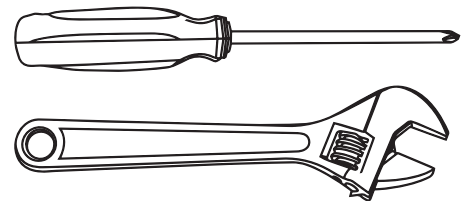
LISTA DE PIEZAS ILUSTRADA

<p><b>1</b> Cuerpo (1 pieza)</p> 	<p><b>2</b> Plancha y capota (1 pieza)</p> 	<p><b>3</b> Balda interior (1 pieza)</p> 	<p><b>4</b> Vaso de grasa (1 pieza)</p> 	<p><b>5</b> Ruedas giratorias (2 piezas)</p> 	<p><b>6</b> Ruedas fijas (2 piezas)</p> 
<p><b>7</b> Repisa lateral izquierda (1 pieza)</p> 	<p><b>8</b> Repisa lateral derecha (1 pieza)</p> 	<p><b>9</b> Soporte de estante lateral L (2 piezas)</p> 	<p><b>10</b> Soporte de estante lateral R (2 piezas)</p> 	<p><b>11</b> Asa de capota (1 pieza)</p> 	<p><b>12</b> Tiradores de puerta (2 piezas)</p> 
<p><b>13</b> Mango mangas (4 piezas)</p> 	<p><b>14</b> Soporte para bolsa de basura (1 pieza)</p> 	<p><b>15</b> Soporte para bolsa de basura L (1 pieza)</p> 	<p><b>16</b> Soporte de bolsa de basura R (1 pieza)</p> 	<p><b>17</b> Imanes de puerta superior (2 piezas)</p> 	<p><b>18</b> Imanes de puerta inferior (2 piezas)</p> 
<p><b>19</b> Ganchos para repisas laterales (6 piezas) Tuercas de mariposa (6 piezas) Arandelas (12 piezas)</p> 					

PIEZAS	CTD
<b>1.8a</b> Válvulas de gas	2
<b>1.8b</b> Raíl de gas	1
<b>1.9</b> Regulador	1
<b>2.1</b> Parte superior de la plancha	1
<b>2.2</b> Capucha	1
<b>2.3</b> Conjunto de bisagra de capó	2
<b>7.1</b> Banda magnética	1
<b>11.1</b> Hojas de mica	2



**NO INCLUIDO:**  
Tanque de GPL de 20 lb (9 kg) y Batería AA



**HERRAMIENTAS NECESARIAS:**  
Destornillador Phillips y Llave ajustable



### ⚠️ ADVERTENCIA

El fabricante ha hecho todo lo posible para eliminar los bordes afilados. Sin embargo, debe manejar todos los componentes con cuidado para evitar lesiones accidentales.

Algunas partes pueden contener bordes afilados, especialmente como se indica en estas instrucciones. Use guantes de protección si es necesario.

### ⚠️ PRECAUCIÓN

Se recomiendan dos personas para el montaje de este producto.

## INSTRUCCIONES DE MONTAJE

*Lea atentamente todas las instrucciones antes de continuar. Asegúrese de quitar todo el material de embalaje de plástico y cualquier protección de tránsito antes de ensamblar.*

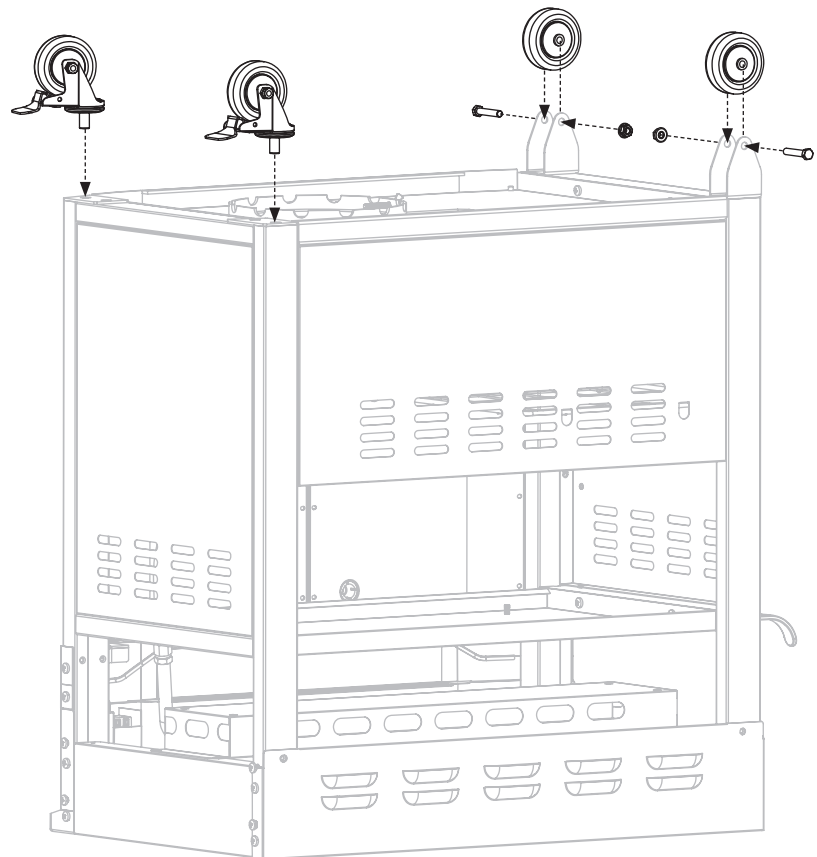
Encuentre un área grande y limpia para ensamblar su unidad. Consulte la lista de piezas y los diagramas de ensamblaje según sea necesario.

**PASO 01** Con la ayuda de otra persona, retire el cuerpo de la plancha del embalaje y colóquelo boca abajo sobre una superficie lisa y plana.

Utilice los pernos y tuercas preinstalados de las dos (2) ruedas fijas para sujetarlos al conjunto de la pata derecha.

Atornille las dos (2) ruedas giratorias en el conjunto de la pata izquierda.

(Asegúrese de que las ruedas giratorias estén bloqueadas antes de colocarlas).

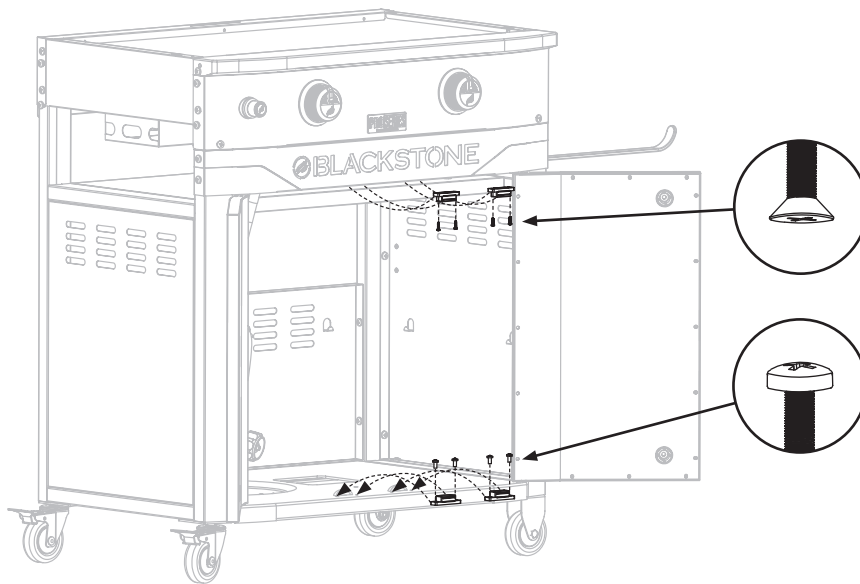




**PASO 02** Utilice los cuatro (4) pernos M3 y las tuercas M3 preinstalados para fijar los dos (2) imanes inferiores de la puerta a la base del carro.

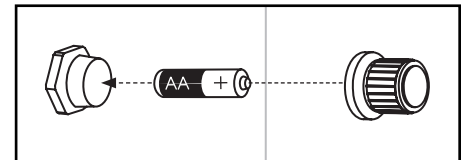
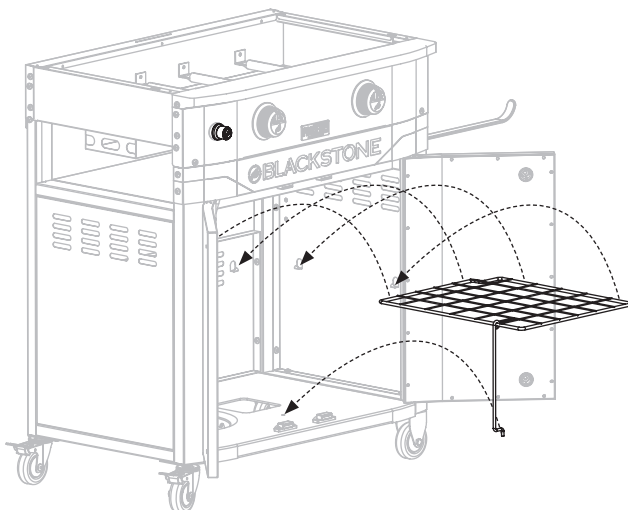
**Con la ayuda de otra persona,** coloque el cuerpo de la plancha sobre sus ruedas.

Utilice los cuatro (4) pernos M3 y las tuercas M3 preinstalados para fijar los dos (2) imanes de la puerta superior al panel del logotipo delantero.



**PASO 03** Instale el estante interior descansando el estante en los cuatro (4) soportes del estante interior e insertando la pata en el orificio de la base del carro.

Inserte una (1) batería AA (no incluida) debajo del botón de encendido.

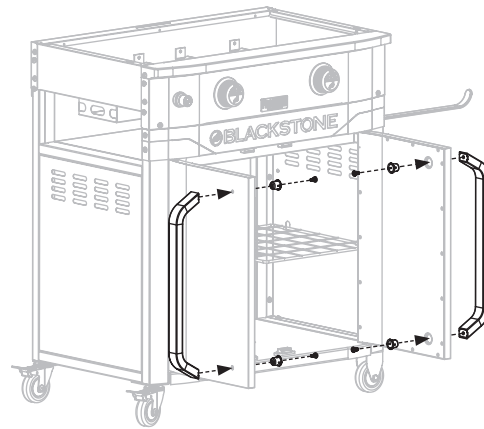


Inserte una batería AA (no incluida) en el zócalo de la batería con el terminal positivo hacia afuera y luego atornille el botón de encendido hasta que esté apretado; tenga cuidado de no apretar demasiado.

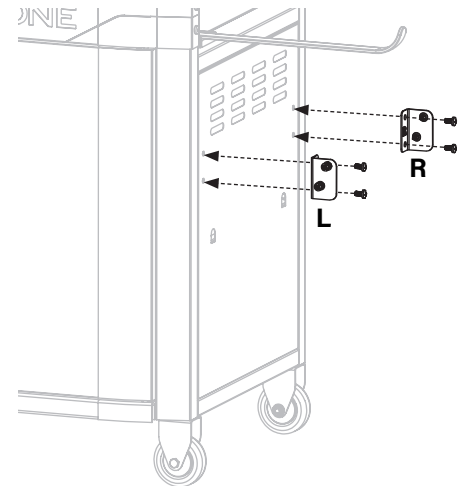


**PASO 04** Utilice los dos (2) tornillos M6x12 preinstalados de una (1) manija de la puerta para instalar la manija de la puerta y dos manguitos de la manija en la puerta izquierda del gabinete.

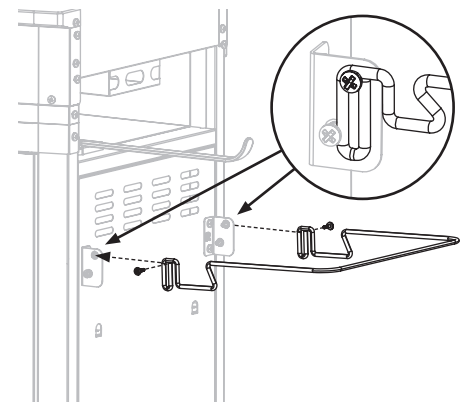
Repita con la puerta del gabinete derecha.



**PASO 05** Utilice los cuatro (4) tornillos M6x12 preinstalados de los dos (2) soportes del soporte de la bolsa de basura para sujetar los soportes al panel derecho del carro.

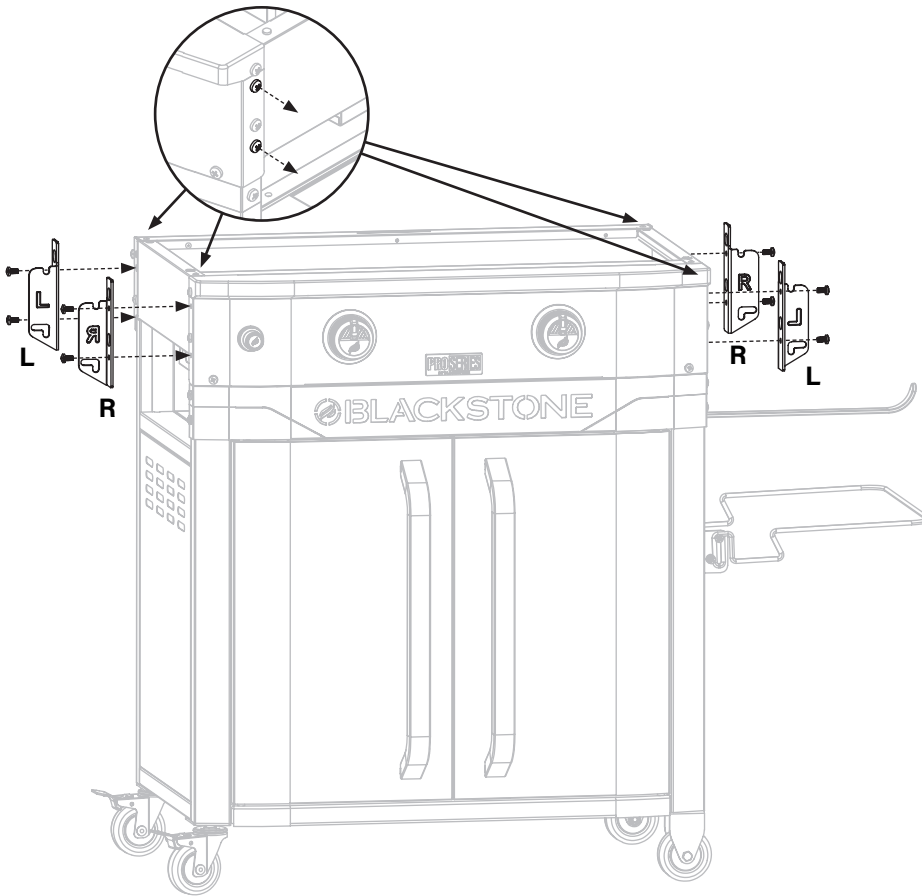


**PASO 06** Use los dos (2) pernos de escalón preinstalados superiores de los dos (2) soportes del soporte de la bolsa de basura para sujetar el soporte de la bolsa de basura a los soportes.

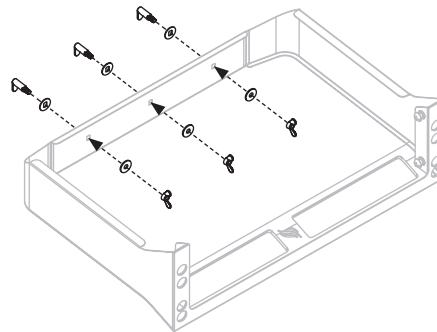




**PASO 07** Quite el segundo y cuarto tornillos de las cuatro esquinas del cuerpo de la plancha. Utilice estos tornillos para fijar un (1) soporte de estante lateral **L** y un (1) soporte de estante lateral **R** a ambos lados del cuerpo de la plancha.

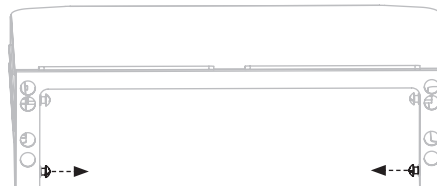


**PASO 08** Utilice tres (3) tornillos de mariposa y seis (6) arandelas para sujetar tres (3) ganchos para estantes laterales al estante del lado izquierdo. Repita con el estante del lado derecho.



**PASO 09** Quite los dos (2) pernos del escalón inferior del estante del lado izquierdo.

Repita con el estante del lado derecho.



**⚠ ADVERTENCIA**

No toque el mango mientras la unidad esté caliente.

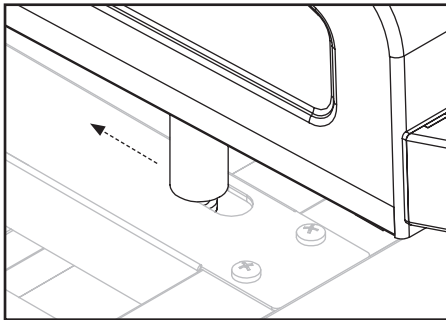
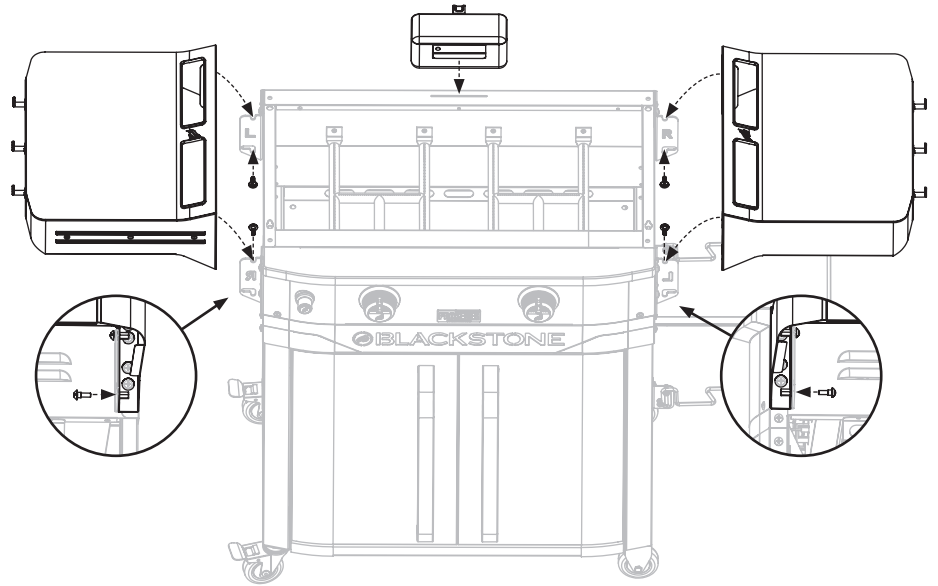
**⚠ PRECAUCIÓN**

- El peso máximo en el estante lateral es de 10 lb (4.5 kg).
- El estante lateral puede calentarse mientras se usa la plancha.

**PASO 10** Enganche los pernos del escalón superior de los estantes laterales izquierdo y derecho en los soportes del estante lateral en el lado izquierdo del cuerpo de la plancha.

Utilice los pernos del escalón inferior para asegurar los estantes laterales izquierdo y derecho a los soportes del estante lateral.

Cuelgue la taza de grasa en la ranura en la parte posterior del cuerpo de la plancha.

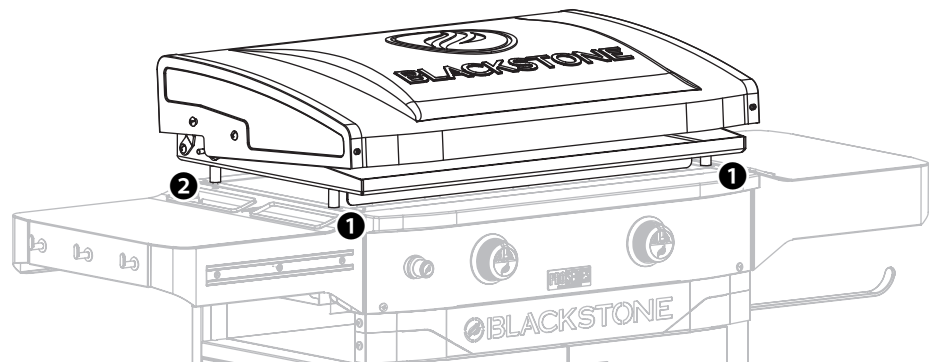


Coloque los dos pasadores delanteros en los orificios de bloqueo delanteros y empuje la parte superior de la plancha y el capó hacia atrás. Luego, coloque los dos pasadores traseros en los orificios traseros.

**PASO 11** Con la ayuda de otra persona, coloque la parte superior y el capó de la plancha sobre el cuerpo de la plancha alineando los dos (2) pasadores delanteros con los orificios de bloqueo delanteros.

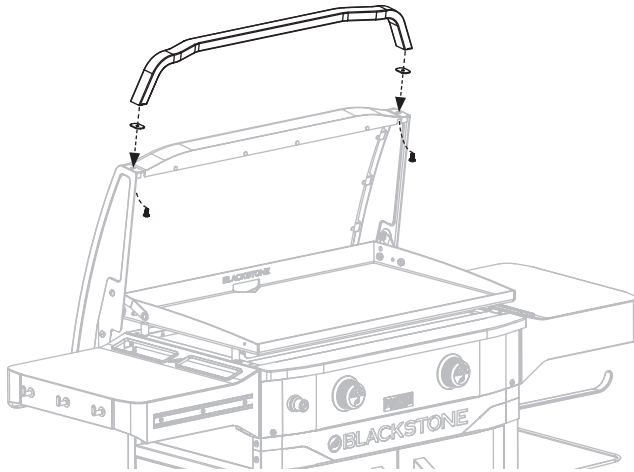
**1** Asegúrese de que las clavijas delanteras estén asentadas en los orificios delanteros, luego empuje la parte superior y la cubierta de la plancha hacia atrás para bloquear la plancha en su lugar.

**2** Coloque los pasadores traseros en los orificios traseros.

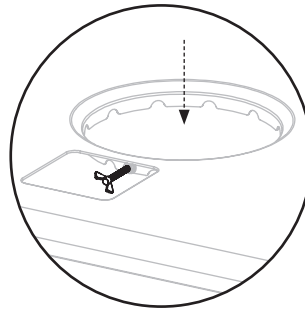
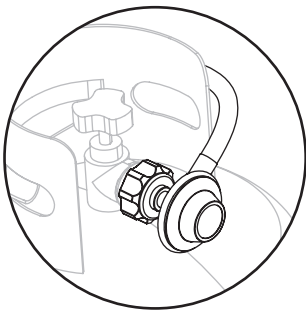




**PASO 12** Utilice los dos (2) tornillos M6x12 preinstalados en la manija de la campana para instalar la manija de la campana y dos (2) hojas de mica en la parte delantera de la campana.

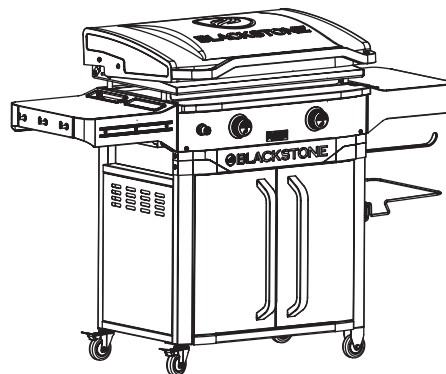


**PASO 13** Conecte el tanque de propano de 20 libras (no incluido) y colóquelo en la base del carro. Apriete el tornillo de aleta de la base del carro para asegurarlo. (Consulte la sección Conexión y remoción del capítulo Combustible.)



**PASO 14** Vaya a la sección de Instrucciones de curación de la plancha del capítulo Cuidado y mantenimiento.

¡Disfruta cocinando al aire libre en tu Blackstone!



**VÍDEOS DE MONTAJE**

Vea videos de soporte técnico y ensamblaje de productos en línea en [blackstoneproducts.com/support](https://blackstoneproducts.com/support) y en YouTube @BlackstoneGriddles



**⚠ PELIGRO**

Un cilindro de GPL que no esté conectado para su uso **NO** debe almacenarse cerca de este ni de ningún otro aparato.

- Los cilindros de GPL solo deben almacenarse al aire libre y en un lugar fresco y seco.
- Un cilindro de GPL **NO** debe almacenarse debajo o cerca del aparato, al alcance de los niños o en un edificio, garaje o cualquier otra área cerrada.
- **NUNCA** deje un cilindro de GPL dentro de un vehículo que puede sobrecalentarse con el sol.

Si no se sigue exactamente la información anterior, puede ocurrir un incendio que cause la muerte o lesiones graves.

**⚠ PELIGRO**

- **NUNCA** llene un cilindro de GPL más del 80% de su capacidad.

Un cilindro sobrecargado o almacenado incorrectamente es un peligro debido a la posible liberación de gas de la válvula de seguridad. Esto podría causar un incendio intenso con riesgo de daños a la propiedad, lesiones graves o la muerte.

Si ve, huele o escucha que el gas se escapa, aléjese inmediatamente del cilindro de GPL y del aparato y llame al departamento de bomberos.

# COMBUSTIBLE | CILINDRO DE PROPANO DE 20 LB (9 KG)

## Sección 01

### REQUISITOS DEL CILINDRO GPL

#### REQUISITOS DEL CILINDRO DE GPL

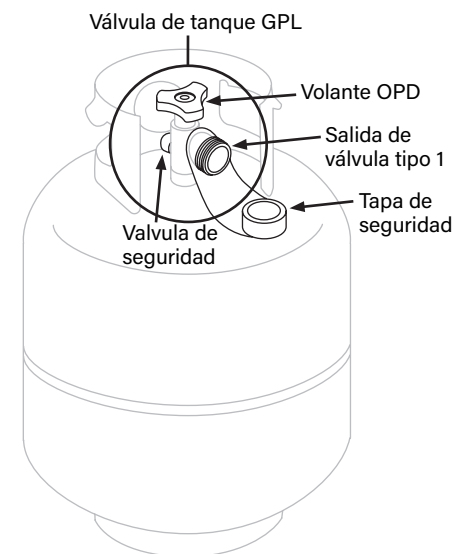
*El tanque de GPL que se utiliza con su plancha debe cumplir con los siguientes requisitos:*

- Hayan sido probados por un proveedor de gas GPL dentro de los cinco años de uso.
- Tamaño: 43.2 cm x 28.8 cm (18 x 12 pulgadas), de 20 lb (9 kg).
- El sistema de suministro debe estar preparado para la extracción de vapor.
- El tanque debe incluir un collar para proteger la válvula del tanque GPL.

#### REQUISITOS DE LA VÁLVULA DEL TANQUE GPL

*La válvula del tanque GPL debe tener:*

- Salida de válvula tipo 1 (rosca exterior).
- Válvula de seguridad.
- Dispositivo de protección contra sobrellenado (OPD) listado por UL. **Esta característica de seguridad OPD está identificada por un volante triangular único.**



**Mantenga siempre los tanques GPL nuevos y cambiados en posición vertical durante el uso, transporte o almacenamiento.**





## Sección 02 CONEXIÓN Y REMOCIÓN

### SEGURIDAD DEL REGULADOR

Si el regulador falla en la unidad, debe ser reemplazado por un modelo aprobado por Blackstone y solo debe ser reemplazado por un distribuidor autorizado con licencia profesional. El incumplimiento anulará la garantía.

### CONEXIÓN DEL REGULADOR AL TANQUE GPL

**Haga una prueba de fugas en los tanques de GPL nuevos y reemplazados ANTES de conectarlos a la plancha. Consulte la sección Instrucciones de prueba de fugas.**

**PASO 01** El tanque de propano líquido debe estar debidamente asegurado a la plancha. (Consulte el capítulo de la Guía de montaje).

Asegúrese de que las perillas de control estén apagadas.

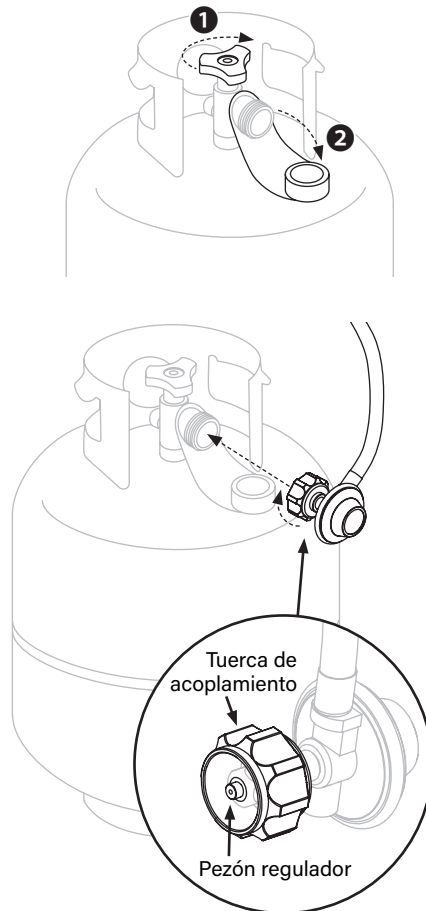
**PASO 02** ① Asegúrese de que el tanque de propano líquido esté APAGADO girando la rueda manual del OPD en el sentido de las agujas del reloj hasta que se detenga por completo.

② Retire la tapa de seguridad de la salida de la válvula Tipo 1.

**PASO 03** Sostenga el regulador en línea recta con la salida de la válvula Tipo 1 para no cruzar la rosca de la conexión.

Centre e inserte la boquilla del regulador en la salida de la válvula Tipo 1.

Apriete a mano la tuerca de acoplamiento en el sentido de las agujas del reloj.



### ⚠ ADVERTENCIA

Mantenga la manguera de suministro de combustible alejada de cualquier superficie calentada.

### ⚠ ADVERTENCIA

Nunca intente conectar esta plancha al sistema de GPL autónomo de un remolque, vehículo recreativo o autocaravana.

No use el tanque de GPL hasta que haya sido probado para detectar fugas.

### ⚠ ADVERTENCIA

El cilindro de suministro de GPL debe desconectarse cuando este aparato no esté en uso.

### ⚠ ADVERTENCIA

GPL es altamente inflamable y puede encenderse inesperadamente cuando se mezcla con el aire.

### ⚠ PRECAUCIÓN

GPL no es tóxico, es inodoro e incoloro cuando se produce. Por seguridad y para una fácil detección, al gas GPL se le ha dado un olor similar al del repollo podrido.

**TENGA EN CUENTA:** Si no se puede completar la conexión, desconecte el regulador y repita el paso 03.

**Si no puede completar la conexión, ¡no use este regulador!**

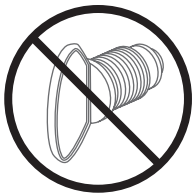
**⚠ PELIGRO**

No inserte herramientas u objetos extraños en la salida de la válvula o en la válvula de alivio de seguridad. La válvula puede dañarse y provocar una fuga. **Una fuga de propano puede provocar una explosión, incendio, lesiones personales graves o la muerte.**

Si se detecta una fuga en cualquier momento, **DETÉNGASE** y llame al departamento de bomberos. Si no puede detener una fuga de gas, cierre inmediatamente la válvula del tanque de GPL y llame al proveedor de GPL o al departamento de bomberos.

**⚠ ADVERTENCIA**

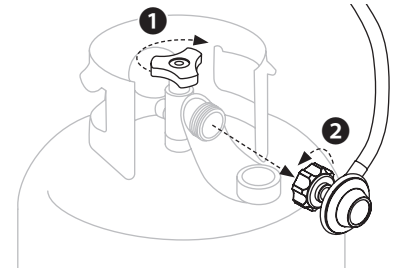
No inserte un tapón de transporte POL (pieza de plástico con roscas externas) en la salida de la válvula del tanque Tipo 1. Vencerá la característica de la válvula de alivio de seguridad.

**EXTRACCIÓN DEL TANQUE DE PROPANO LÍQUIDO PARA TRANSPORTE / ALMACENAMIENTO**

**PASO 01** Asegúrese de que las perillas de control estén apagadas.

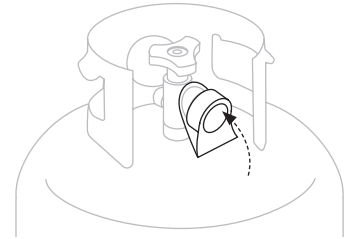
**PASO 02** ① Asegúrese de que el tanque de propano líquido esté **APAGADO** girando la rueda manual del OPD en el sentido de las agujas del reloj hasta que se detenga por completo.

② Gire la tuerca de acoplamiento en sentido antihorario con la mano para quitar el regulador. (No use herramientas para desconectar.)



**PASO 03** Coloque la tapa de seguridad en la salida de la válvula Tipo 1.

**Utilice únicamente el tipo de tapa de seguridad en la salida de la válvula del cilindro que se proporciona con la válvula del cilindro.** (Otros tipos de tapones o tapones pueden provocar una fuga de propano.)



- Un tanque de propano líquido desconectado durante el almacenamiento o el transporte debe tener una tapa de seguridad instalada.
- El no usar la tapa de seguridad como se indica puede resultar en lesiones personales graves y / o daños a la propiedad.

**ACCESORIOS Y MANGUERAS**

- Se recomienda la revisión y el apriete anual de los accesorios metálicos.
- Antes de cada uso, verifique si las mangueras están cortadas o gastadas.
- Reemplace las mangueras dañadas antes de usar el aparato. (Utilice únicamente piezas de repuesto aprobadas por Blackstone para la válvula, la manguera o el regulador.)

**LLENADO E INTERCAMBIO**

Utilice únicamente las empresas de cambio de confianza que inspeccionen, llenen con precisión, prueben y certifiquen sus tanques. El distribuidor de GPL debe purgar el tanque nuevo antes de llenarlo.

El volumen de propano en el tanque variará según la temperatura. Un regulador helado indica sobrellenado de gas. Cierre inmediatamente la válvula del tanque GPL y llame al distribuidor local de gas GPL para obtener ayuda.

No libere gas propano líquido (GPL) a la atmósfera.

Para retirar el gas del tanque de GPL, comuníquese con un distribuidor de GPL certificado o con el departamento de bomberos local para obtener ayuda.

Cambie el tanque solo por un tanque equipado con funciones de seguridad OPD.

**TENGA EN CUENTA:** Su distribuidor puede ayudarlo a hacer coincidir un tanque de reemplazo con su plancha.



## Sección 03

# INSTRUCCIONES DE PRUEBA DE FUGAS

### SEGURIDAD DE LA PRUEBA DE FUGAS

- La prueba de fugas debe repetirse cada vez que se cambia o se vuelve a llenar el tanque de propano líquido.
- No fume durante la prueba de fugas.
- No use una llama abierta para verificar si hay fugas de gas.
- El aparato debe someterse a una prueba de fugas al aire libre en un área bien ventilada, lejos de fuentes de ignición, como aparatos eléctricos o de gas.
- Durante la prueba de fugas, mantenga el aparato alejado de llamas abiertas o chispas.
- Use un pincel limpio y una solución de agua y jabón suave 10/90.

### PRUEBA DE FUGAS: TANQUE GPL

**PASO 01** Cepille la solución jabonosa en las áreas de unión del tanque. (Indicado por flechas en la figura 01.)

Las fugas se indican mediante el crecimiento de burbujas.

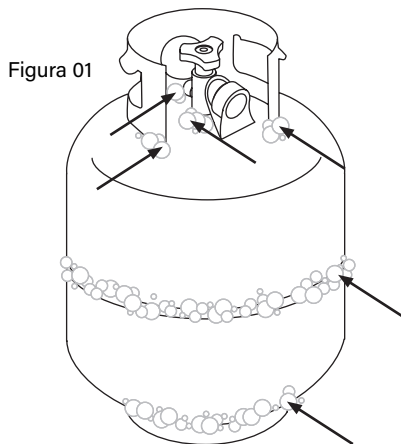


Figura 01

### PRUEBA DE FUGAS: VÁLVULAS, MANGUERA Y REGULADOR

**PASO 01** Asegúrese de que las perillas de control estén apagadas.

Asegúrese de que el regulador esté bien conectado al tanque de propano líquido.

Abra completamente el tanque de propano líquido girando la rueda de mano OPD en sentido antihorario.

**Si escucha un sonido apresurado, cierre el gas de inmediato.** Hay una fuga importante en la conexión. Corrija antes de continuar.

**PASO 02** Cepille la solución jabonosa en las áreas de unión de las válvulas y el regulador. (Indicado por flechas en la figura 02.)

Las fugas se indican mediante el crecimiento de burbujas.

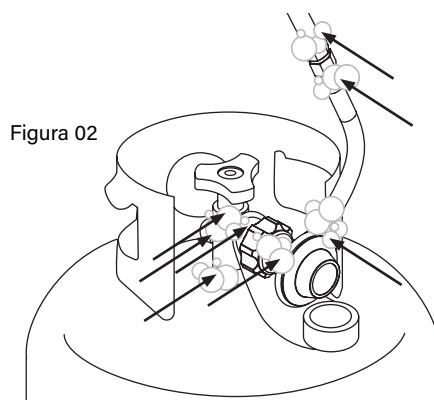


Figura 02

**PASO 03** Cierre inmediatamente el tanque de propano líquido girando la rueda de mano del OPD en el sentido de las agujas del reloj y vuelva a apretar las conexiones. Si las fugas no se pueden detener, **NO INTENTE REPARAR.**

### ⚠ ADVERTENCIA

Mantenga las válvulas del contenedor de GLP cerradas en todo momento a menos que el sistema de GLP esté en uso o se esté relleno el contenedor.

### ⚠ ADVERTENCIA

Si aparecen burbujas "en crecimiento", no utilice ni mueva el tanque de GPL. Póngase en contacto con un proveedor de GPL o con el departamento de bomberos.

### ⚠ PRECAUCIÓN

**NO UTILICE AGENTES DE LIMPIEZA DEL HOGAR.** Podría dañarse la válvula de gas, la manguera y los componentes del regulador.

### ¿NECESITA AYUDA?

Registre su producto Blackstone en [blackstoneproducts.com/register](https://blackstoneproducts.com/register) y visítenos en línea en [blackstoneproducts.com/support](https://blackstoneproducts.com/support) para preguntas sobre piezas de repuesto, montaje y funcionamiento.



**⚠ ADVERTENCIA**

No se incline sobre la plancha mientras se enciende.

**⚠ ADVERTENCIA**

Si la ignición NO ocurre en 5 segundos, apague los controles del quemador, espere 5 minutos y repita el procedimiento de encendido.

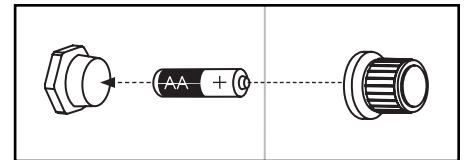
Si el quemador no se enciende con la válvula abierta, el gas continuará saliendo del quemador y podría encenderse accidental o inadvertidamente con riesgo de lesiones.

# ENCENDIDO | BATERÍA

## FUNCIONAMIENTO DEL QUEMADOR DE PROPANO

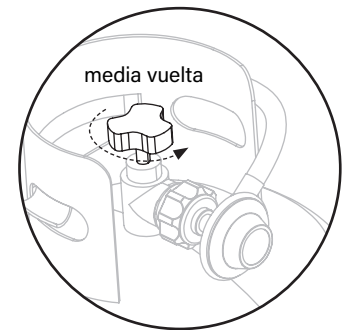
Para un encendido y funcionamiento adecuados del aparato, siga los pasos a continuación.

**PASO 01** Para que el botón de encendido funcione correctamente, asegúrese de que la batería esté instalada correctamente.

**PASO 02**

1 Asegúrese de que la perilla de control esté apagada.

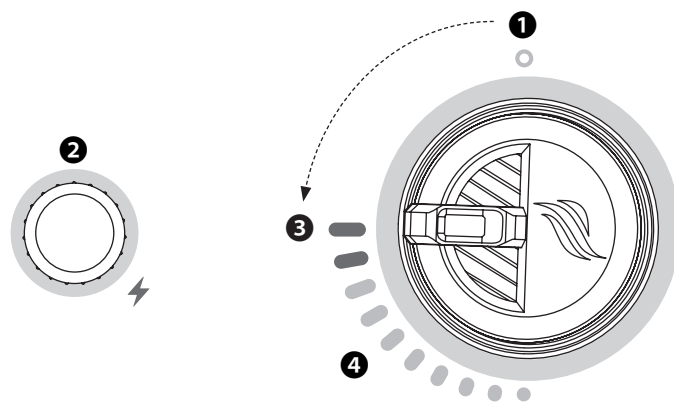
**PASO 03** Asegúrese de que el tanque de GPL esté correctamente conectado a la unidad. Encienda el gas en el cilindro de GPL girando lentamente el volante OPD hasta la mitad.

**PASO 04**

2 Mantenga pulsado el botón de encendido.

3 Presione y gire la perilla de control en sentido antihorario hasta ALTO. (Suelte el botón de encendido cuando se encienda el quemador).

4 Ajuste la temperatura al nivel deseado.





# SOLUCIÓN DE PROBLEMAS

Visite [BLACKSTONEPRODUCTS.COM/SUPPORT](http://BLACKSTONEPRODUCTS.COM/SUPPORT) para obtener información adicional sobre la solución de problemas.

## Sección 01 ENCENDIDO BATERÍA

### SÍNTOMAS

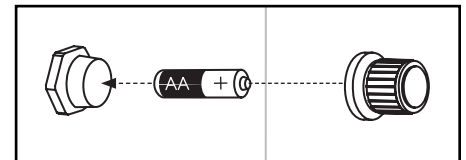
- 01. El quemador no se enciende con el sistema de encendido
  - 02. Al presionar el botón de encendido no se produce un clic
  - 03. El quemador no se encenderá con el sistema de encendido piezoeléctrico.
- Si el encendido no ocurre en 5 segundos, apague los controles del quemador, espere 5 minutos y repita el procedimiento de encendido.
- Si esto no funciona, para determinar la causa, intente encender su aparato con un fósforo. (Consulte las Instrucciones de encendido de fósforos en la sección Limpieza del conjunto del quemador del capítulo Cuidado y mantenimiento.)

Si **PUEDES** encender su aparato con un fósforo

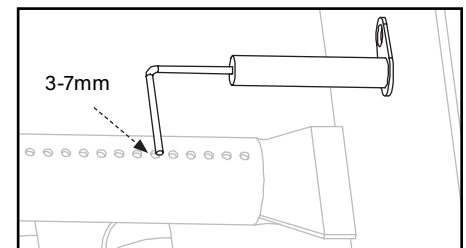
POSIBLES CAUSAS	SOLUCIÓN
01. Batería agotada o sin batería en unidades equipadas con un encendido eléctrico a batería.	Reemplace con una batería nueva.
02. Batería instalada incorrectamente.	Asegúrese de que la batería esté instalada en el extremo negativo primero.
03. El cable del encendedor está desalineado.	Asegúrese de que el cable del encendedor esté colocado a 1/8" a 1/4" del tubo del quemador, colocado sobre un orificio del quemador.
04. Daño al sistema de encendido.	Póngase en contacto con el servicio al cliente para obtener piezas de repuesto.

Si **NO PUEDES** encender su aparato con un fósforo

POSIBLES CAUSAS	SOLUCIÓN
05. Los tubos de los quemadores no reciben combustible.	(Consulte la sección Instrucciones de encendido con fósforos del capítulo Solución de problemas.)



Inserte una batería AA (no incluida) en el zócalo de la batería con el terminal positivo hacia afuera y luego atornille el botón de encendido hasta que esté apretado; tenga cuidado de no apretar demasiado.

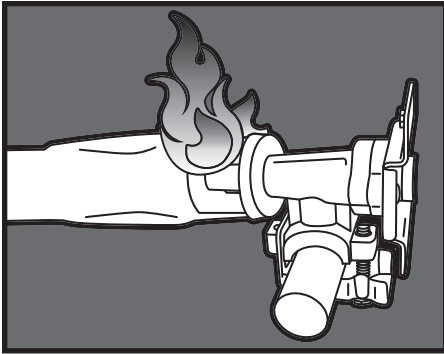


Asegúrese de que la aguja de encendido esté colocada a 3-7 mm de distancia del tubo del quemador, colocada sobre un orificio del quemador.



## Sección 02

# FLUJO DE GAS



### SÍNTOMAS

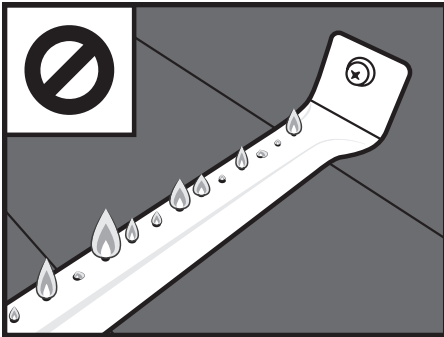
01. Una llama sale de la puerta de aire.

### POSIBLES CAUSAS

01. Algo está bloqueando el venturi en el tubo del quemador. Esto no permite que el propano fluya a través del quemador, haciendo que la llama retroceda por la puerta de aire.

### SOLUCIÓN

Limpie el conjunto del quemador para eliminar la obstrucción. (Consulte la sección Limpieza de la plancha del capítulo Cuidado y mantenimiento.)



### SÍNTOMAS

01. Las llamas de los quemadores son amarillas o irregulares.

### POSIBLES CAUSAS

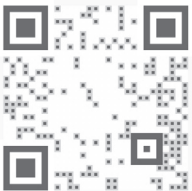
01. Algo está bloqueando la puerta de aire para el quemador. Esto impide que el oxígeno se mezcle correctamente con el propano para obtener llamas saludables.

### SOLUCIÓN

Verifique las compuertas de aire en su quemador. Si tiene persianas de aire ajustables sobre sus compuertas de aire, asegúrese de que estén completamente abiertas. Si sus quemadores tienen protectores contra insectos, limpie cualquier telaraña, hollín o desechos del protector contra insectos. Limpie cualquier otra obstrucción de las compuertas de aire.

### SOPORTE TÉCNICO:

Escanee el código QR para ver más videos o visite el canal de Blackstone en YouTube en [youtube.com/blackstonegriddles](https://youtube.com/blackstonegriddles)





## SÍNTOMAS

01. El aparato no alcanzará una temperatura alta o se calienta de manera desigual.
02. Las llamas del quemador comienzan con fuerza, luego caen inmediatamente a bajo incluso cuando el quemador está en posición alta.
03. La altura de la llama cae cuando se enciende un segundo quemador.
04. Las llamas no se extienden en toda la longitud del quemador, o solo se ejecutan en un lado del quemador.
05. Las llamas de los quemadores son inconsistentes.

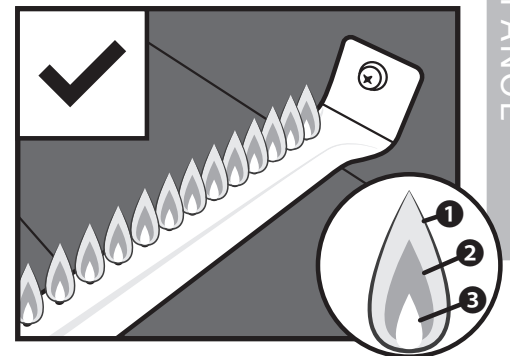
## POSIBLES CAUSAS

## SOLUCIÓN

01. El cilindro de GPL está vacío o bajo.	Rellene o reemplace el tanque de propano.
02. Obstrucciones en el quemador, chorros de gas o riel de combustible.	Limpie el quemador, los chorros y la manguera de gas. (Consulte la sección Limpieza de la plancha del capítulo Cuidado y mantenimiento.)
03. Las regulaciones de los Estados Unidos requieren que todos los reguladores contengan un dispositivo limitador de flujo para la seguridad del consumidor. Este dispositivo mide la cantidad de propano que pasa por el regulador para garantizar que los niveles sean seguros. Si la tasa de flujo a través del regulador es demasiado alta (un síntoma de una fuga grande), el dispositivo limitador de flujo se activará, restringiendo el flujo de propano para reducir la posibilidad de un incendio peligroso. Este sistema de seguridad puede activarse accidentalmente al abrir un tanque de propano demasiado rápido o al abrir el tanque de propano cuando la perilla de un quemador no está en la posición de apagado.	Este sistema de seguridad se puede restablecer mediante:  Mover las perillas de los quemadores a la posición de apagado, cerrar el tanque de propano y desconectar el regulador del tanque de propano.  Espere cinco minutos para permitir que la presión se disipe, luego vuelva a conectar el regulador al tanque de propano y abra lentamente el volante OPD media vuelta.  Encienda su aparato como se describe en el capítulo Encendido.
04. Regulador atascado en posición de seguridad.	Póngase en contacto con el servicio al cliente para obtener piezas de repuesto.

## PATRÓN DE LLAMA DE QUEMADOR

Los quemadores de su aparato están diseñados para mezclar oxígeno y propano a una velocidad que permita llamas óptimas. Si los orificios, la compuerta de aire o el venturi del quemador se bloquean, afectará la mezcla de propano y aire, causando llamas bajas o inconsistentes, o llamas provenientes de la compuerta de aire.



Las llamas saludables pueden tener algunos parpadeos de color amarillo **1**, luego un color azul oscuro **2**, seguido de un azul vibrante por el tubo del quemador **3**.

**⚠ ADVERTENCIA**

Cuando no esté en uso, apague los controles de la unidad y la fuente de gas.

**⚠ ADVERTENCIA**

El aparato debe aislarse del sistema de tuberías de suministro de gas cerrando su válvula de cierre manual individual durante cualquier prueba de presión del sistema de tuberías de suministro de gas a presiones de prueba iguales o inferiores a 1/2 psi (3,5 kPa).

**⚠ ADVERTENCIA**

Este aparato estará caliente durante y después de su uso. Use guantes o guantes aislantes para horno para protegerse de superficies calientes o salpicaduras de líquidos de cocción.

**⚠ PRECAUCIÓN**

**NUNCA** manipule piezas calientes con manos desprotegidas.

**⚠ PRECAUCIÓN**

No use Citrisol, limpiadores abrasivos, desengrasantes o limpiadores concentrados para planchas en piezas de plástico. **Se pueden producir daños y fallas en las piezas.**

# CUIDADO Y MANTENIMIENTO

*Limpie regularmente su electrodoméstico entre usos, especialmente después de largos períodos de almacenamiento. Para extender la vida útil y las condiciones de la unidad, siga las mejores prácticas detalladas en este manual.*

## Sección 01 CUIDADO GENERAL

### LIMPIEZA GENERAL

*Asegúrese de que el aparato y sus componentes estén suficientemente fríos antes de limpiarlos.*

- Limpie su aparato con frecuencia, preferiblemente después de cada uso.
- Asegúrese de mantener la (s) abertura (s) de ventilación del recinto del cilindro libres y libres de escombros.
- Los depósitos de grasa horneados pueden requerir el uso de un paño de plástico de limpieza abrasivo. Úselo solo en la dirección del acabado del cepillado para evitar daños.
- NO use un paño abrasivo en áreas con gráficos.
- Si se usa un cepillo de cerdas para limpiar cualquiera de las superficies de cocción, asegúrese de que no queden cerdas sueltas en las superficies de cocción antes de cocinar.

**PARTES PLÁSTICAS:** Lave con agua tibia jabonosa y seque.

**SUPERFICIES PINTADAS:** Lave con detergente suave o limpiador no abrasivo y agua tibia jabonosa. Seque con un paño suave no abrasivo.

### SUPERFICIES DE ACERO

**INOXIDABLE:** Para mantener el aspecto de alta calidad del marco de la plancha, lave con detergente suave y agua tibia jabonosa. Seque con un paño suave después de cada uso.

### DESPUÉS DE CADA USO

Asegúrese de limpiar cualquier parte del aparato que se caliente y experimente acumulación de grasa antes del próximo uso. De lo contrario, podría producirse un incendio.





## ALMACENAMIENTO

- Para extender y mantener la vida útil y el estado de su electrodoméstico, recomendamos enfáticamente que cubra la unidad cuando la deje afuera por un período de tiempo prolongado, especialmente durante los meses de invierno.
- Tenga cuidado de secar siempre completamente su electrodoméstico antes de guardarlo y manténgalo alejado de la lluvia y los rociadores.
- Cubra los quemadores con papel de aluminio para evitar que se acumulen insectos u otros desechos en los orificios del quemador.
- Cuando el suministro de gas esté conectado al electrodoméstico, guárdelo al aire libre en un espacio bien ventilado y fuera del alcance de los niños.
- Almacene el electrodoméstico en interiores SOLAMENTE si el suministro de gas está apagado, desconectado, retirado del electrodoméstico y almacenado al aire libre.
- Cuando retire el electrodoméstico del almacenamiento, limpie el conjunto del quemador antes de encender el electrodoméstico (Consulte la sección Limpieza del conjunto del quemador).

## CONTROL DE LA VÁLVULA

*Asegúrese de que el gas esté cerrado en la válvula de cierre de suministro antes de revisar las válvulas del aparato. Las perillas deben girarse a la posición OFF (Apagado).*

**PASO 01** Para revisar las válvulas, presione las perillas y suéltelas. Las perillas deben saltar hacia atrás.

**Si las perillas no retroceden, reemplace el conjunto de la válvula antes de usar la plancha.**

**PASO 02** Gire las perillas a la posición baja y luego vuelva a la posición OFF (Apagado). Las perillas deben girar suavemente.

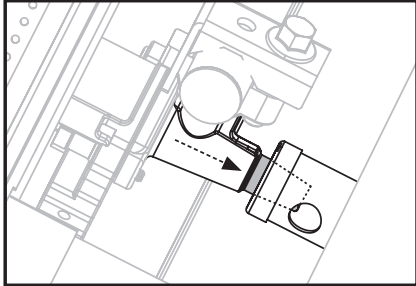
### GUÍA DE AJUSTE DE LA CUBIERTA

Visítenos en línea en [blackstoneproducts.com/support](https://blackstoneproducts.com/support) para encontrar una cubierta que se adapte a su electrodoméstico.



**⚠ ADVERTENCIA**

Asegúrese de que la boquilla de combustible esté alojada dentro de la abertura del quemador.

**Sección 02****LIMPIEZA DEL CONJUNTO DEL QUEMADOR**

Siga estas instrucciones para limpiar y/o reemplazar pieza del conjunto del quemador o si tiene problemas para encender la plancha. Mientras limpia, revise el quemador para detectar daños. Si encuentra grietas u orificios grandes, reemplace el quemador.

**PASO 01** Asegúrese de que el gas esté apagado en las perillas de control y en el suministro de gas. Retire la placa de cocción.

**PASO 02** Separe con cuidado y retire el quemador.



**PASO 03** Pase un cepillo de botella estrecho a través de cada tubo del quemador varias veces. (No utilice cepillos de alambre)

**Se incluyen los siguientes métodos adicionales:**

**a** Pase un alambre rígido doblado en un pequeño gancho a través de cada tubo del quemador varias veces.

**b** Use una manguera de aire para forzar el aire dentro del tubo del quemador y por fuera de los puertos del quemador. Compruebe que el aire sopla a través de cada agujero. (Use protección para los ojos)

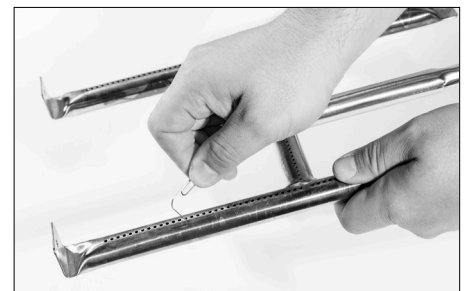


**PASO 04** Cepille toda la superficie exterior del quemador para eliminar la suciedad.



**PASO 05** Limpie los puertos bloqueados con un cable rígido, como un clip de papel abierto. Luego, reemplace con cuidado los quemadores y vuelva a colocarlos.

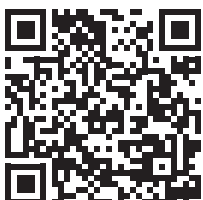
**MUY IMPORTANTE:** Los tubos del quemador se deben volver a conectar con las aberturas de la válvula.

**VIDEO TUTORIAL**

*How to Clean Your Burner Tube | Blackstone Griddle*



**▶ youtube.com/watch?v=xKQTCrFCzf8**





## MANTENIMIENTO DE QUEMADORES

*En la mayoría de las veces, quemar los residuos después de la cocción mantendrá el quemador limpio.*

- Asegúrese de que el flujo de aire de combustión y ventilación no esté obstruido.
- El quemador debe retirarse y limpiarse anualmente o siempre que se encuentren grandes acumulaciones o insectos / nidos de insectos para garantizar que no haya obstrucciones en los ojos de buey o los tubos venturi del quemador.
- Use limpiador de tuberías para despejar las obstrucciones. Se puede usar un cepillo de alambre para eliminar la corrosión de las superficies del quemador.

## INSTRUCCIONES DE ENCENDIDO CON FÓSFOROS

*Antes de comenzar, verifique si hay fugas de gas. (Consulte las Instrucciones de prueba de fugas en el capítulo Combustible).*

**PASO 01** Asegúrese de que la perilla de control esté en la posición OFF (Apagado).

**PASO 02** Retire la placa de cocción.

**PASO 03** Encienda un fósforo (o un encendedor largo) que no mida menos de 26.4 cm (11") de largo. Coloque la llama en el lado derecho o izquierdo del quemador.

**PASO 04** Presione y gire la perilla de control a la posición ALTO. Asegúrese de que el quemador se enciende y permanece encendido.

## CONTROL DE LLAMA DEL QUEMADOR

*Siempre revise la llama del quemador antes de usar.*

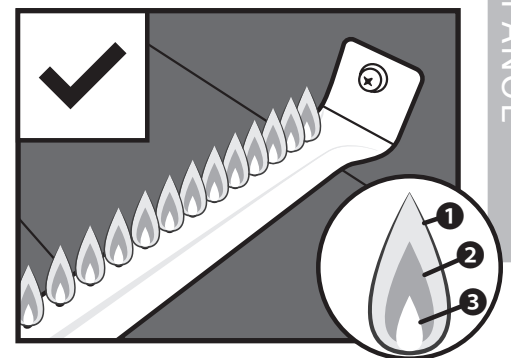
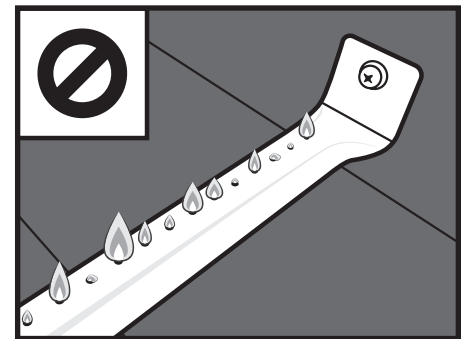
**PASO 01** Encienda los quemadores y gire las perillas de alto a bajo. Cuando la perilla está en alta, las llamas deben ser más grandes que cuando la perilla está en bajo.

**PASO 02** Realice la verificación de la llama del quemador mirando debajo de la parte superior de la cocina en el costado de la unidad para ver los quemadores debajo.

Si hay una caída repentina o un problema de baja llama, consulte el capítulo Solución de problemas.

### ⚠ ADVERTENCIA

Un tubo de quemador obstruido puede provocar un incendio debajo del aparato.



Las llamas saludables pueden tener algunos parpadeos de color amarillo **1**, luego un color azul oscuro **2**, seguido de un azul vibrante por el tubo del quemador **3**.



## VIDEO TUTORIAL

*How to Season a New Blackstone Griddle | Blackstone Griddle*



[youtube.com/watch?v=VspmDVnj2pl&t=3s](https://www.youtube.com/watch?v=VspmDVnj2pl&t=3s)



**TENGA EN CUENTA:** Pequeñas variaciones en la fabricación y las materias primas pueden causar una ligera deformación de algunas placas. Una ligera deformación desaparecerá cuando la placa caliente se caliente como preparación para cocinar.

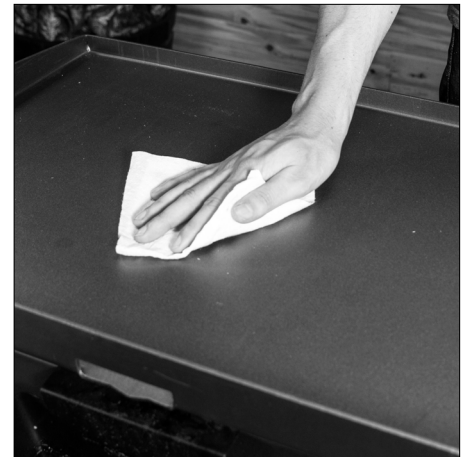
## Sección 03

# INSTRUCCIONES DE CURACIÓN DE LA PLANCHA

*Para obtener los mejores resultados, recomendamos curar la plancha antes de cocinar en la parte superior de la plancha.*

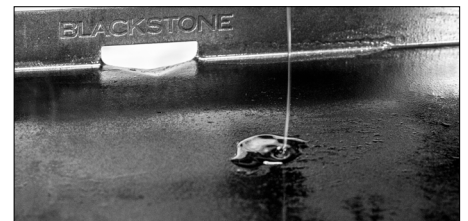
**PASO 01** Asegúrese de que la parte superior de la plancha esté limpia de escombros. (Para la primera limpieza, consulte la sección Limpieza de la parte superior su plancha)

Las planchas de Blackstone están pretratadas con aceite de soja como capa protectora. Este recubrimiento puede dejar una decoloración en la superficie de la plancha. Esto es normal y no afectará el proceso de curado.



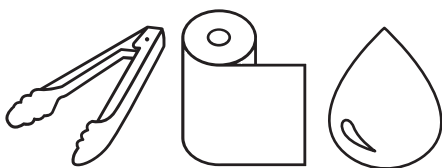
**PASO 02** Pon tu plancha a fuego alto hasta que la parte superior de la plancha cambie de color. Usa unas pinzas para sostener una toalla de papel o un paño de algodón y esparce 2-3 cucharadas de tu aceite condimentado sobre la superficie de la plancha.

Cuando sazone la superficie de su plancha, recuerde usar una capa fina y uniforme de aceite; cuanto más fina sea la capa de aceite, más fácil será quemarla.



**PASO 03** Sabrá que está listo cuando deje de fumar. Deberá repetir esto 3-4 veces para su condimento inicial.

El calor de la plancha descompondrá el aceite y lo adherirá al metal, creando un nuevo polímero que actúa como una capa protectora y resistente a las adherencias sobre la plancha.



**HERRAMIENTAS NECESARIAS:** Pinzas de cocina, toallas de papel y aceite de cocina



## ¿POR QUÉ NECESITO SAZONAR MI PLANCHA?

El condimento deja una capa protectora dura adherida a la superficie del acero.

- Resistencia natural a la adherencia.
- Evita la oxidación y la corrosión.



## SOLUCIÓN DE PROBLEMAS DEL CONDIMENTO DE LA PLANCHA

### SÍNTOMAS

01. Después de sazonar, hay un residuo marrón en la superficie de la plancha.

#### POSIBLES CAUSAS

01. Se utilizó demasiado aceite.
02. Apagaste la calefacción demasiado pronto.

#### SOLUCIÓN

Primero, encienda la plancha a fuego alto y déjela calentar durante 10-15 minutos. Luego, raspe la mayor cantidad de aceite espesado y parcialmente cocido que pueda. Luego, vuelva a sazonar con una capa muy fina de aceite.

### SÍNTOMAS

01. Después del secado, la superficie de la plancha no es negra.
02. La comida se pega a la superficie de la plancha.

#### POSIBLES CAUSAS

01. Las esquinas y los bordes no tienen el mismo acceso al calor directo de los quemadores, lo que dificulta que el condimento se oscurezca como el resto de la superficie de la plancha.

#### SOLUCIÓN

Aplique una capa fina de aceite entre cocciones para mantener la superficie de cocción sazonada. (Consulte la sección Limpieza de la parte superior su plancha). Después de usar la plancha para varias cocciones, el condimento se nivelará y mejorará.

Para obtener más información sobre la solución de problemas, consulte el capítulo Resolución de problemas.

Para preguntas frecuentes, visite [blackstoneproducts.com/faq](http://blackstoneproducts.com/faq)

### ⚠ PRECAUCIÓN

Los clientes en climas húmedos o costeros pueden requerir condimentos más frecuentes y el uso de aceites de cocina más pesados para evitar la oxidación y la corrosión.

## ¿QUÉ ACEITE ES MEJOR USAR?

El acondicionador **Blackstone Seasoning and Cast Iron Conditioner** es la mejor y más fácil manera de obtener resultados consistentes. Esta mezcla única de aceites combina lo mejor de muchos aceites de cocina diferentes.



*¿Puedo usar cualquier aceite de grado alimenticio?*

Sí, pero diferentes aceites pueden variar en el proceso desde el tiempo de combustión, el punto de humo y la durabilidad una vez terminado.

**Si prefiere usar una grasa animal para condimentar, use solo grasa fundida (sebo puro, schmaltz, etc.) sin aditivos.**

**⚠ PELIGRO**

No coloque artículos inflamables en estantes laterales cerca de la plancha. Los contenedores de aerosol son particularmente peligrosos porque **pueden sobrecalentarse y provocar una explosión, incendio, lesiones personales graves o la muerte.**

**⚠ ADVERTENCIA**

No coloque toallas aceitosas o grasosas cerca de la unidad de la plancha, ya que pueden quemarse espontáneamente.

**⚠ PRECAUCIÓN**

La bandeja de grasa debe retirarse y vaciarse después de cada uso.

No retire la bandeja de grasa hasta que la plancha se haya enfriado por completo.

**PARA CADA SUPERFICIE DE PLANCHA**

El **Blackstone Griddle Degreaser and Cleaning Spray** es lo suficientemente suave como para limpiar todas las superficies de la plancha. Úselo en la parte superior de la plancha, el marco de la plancha o en cualquier lugar que experimente una acumulación de grasa.

**Sección 04****LIMPIEZA DE LA PARTE SUPERIOR SU PLANCHA**

*Siga estos sencillos pasos de limpieza para garantizar un rendimiento óptimo y la longevidad de la Plancha Blackstone.*

**PASO 01** Para limpiar la plancha después de cada uso, enfríe la plancha a una temperatura inferior a 150 °C (300 °F). Raspe los restos de comida con una espátula o un raspador de metal recto.



**PASO 02** Limpie la superficie de la plancha con una toalla de papel.



**PASO 03** Divida la superficie de la plancha en secciones de aproximadamente 14 cm (6") (ancho de la herramienta raspadora). Aplique agua en la primera sección con una botella de agua y luego raspe el agua y los residuos hacia la trampa de grasa. Pase a la siguiente sección de 14 cm (6") y repita.

**NO USE MÁS DE DOS CUCHARADAS DE AGUA POR VEZ.**

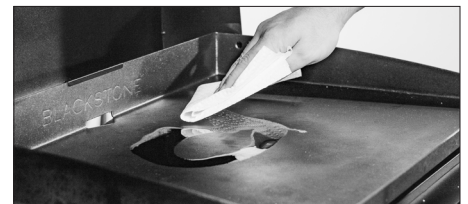
(Para los residuos de comida adheridos, use un poco de sal gruesa).



**PASO 04** Limpiar de nuevo con una toalla de papel y deje secar completamente.



**PASO 05** Aplique una fina capa de aceite de cocina para mantener el curado.





## LA PRIMERA LIMPIEZA

Las planchas Blackstone están pretratadas con aceite de cocina para evitar la oxidación y daños durante el envío. Por primera vez, lave la plancha con agua caliente y jabón.

### **ESTA ES LA ÚNICA VEZ QUE DEBE USAR JABÓN EN LA SUPERFICIE DE COCCIÓN DE LA PLANCHA.**

Enjuague y seque completamente. Continúe con las instrucciones de curado. (Consulte la sección de Instrucciones curación de la plancha)

## PROTEGIENDO LA PARTE SUPERIOR DE SU PLANCHA

Guarde la plancha en un lugar fresco y seco. Cubra siempre la plancha si la almacena al aire libre. Elija entre una variedad de cubiertas para plancha que ofrece Blackstone.

Cuando proteja la plancha con una cubierta blanda, use el método de “carpa” para evitar que el agua se acumule en la parte superior de la plancha. “Carpa” implica colocar un objeto (un tazón, una pelota de tenis o un tubo de PVC) debajo de una cubierta suave en el centro de la plancha para permitir que el agua se deslice. La “carpa” ayuda a prevenir la oxidación.

## CORTAR EN LA PARTE SUPERIOR DE LA PLANCHA

Usar un cuchillo directamente sobre la superficie de la plancha no dañará la superficie de la plancha.

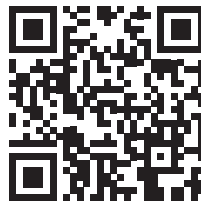
## ELIMINACIÓN DE ÓXIDO

Si aparece óxido en la superficie de la plancha, frótelo con lana de acero, papel de lija de grano bajo o **Blackstone Pumice Stone** y vuelva a secar la superficie.

*Recovering your Blackstone Griddle Top*



[youtube.com/watch?v=thPE2lgnSil](https://www.youtube.com/watch?v=thPE2lgnSil)



### **⚠️ ADVERTENCIA**

**NUNCA APLIQUE AGUA FRÍA EN TODA LA SUPERFICIE DE UNA PLANCHA CALIENTE DE UNA VEZ.** Esto puede causar deformaciones.

Agregar una gran cantidad de alimentos fríos o congelados (o alimentos con un contenido importante de agua) a una plancha caliente puede hacer que la plancha se deforme.

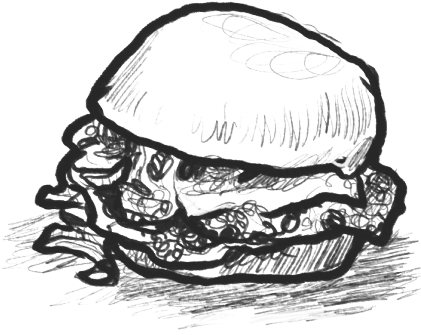
### **⚠️ PRECAUCIÓN**

**NO UTILICE JABÓN EN LA SUPERFICIE DE COCCIÓN DE LA PLANCHA.** Esto destruirá el curado de la plancha.

### VÍDEOS DE MONTAJE

Vea videos de soporte técnico y ensamblaje de productos en línea en [blackstoneproducts.com/support](https://blackstoneproducts.com/support) y en YouTube [@BlackstoneGriddles](https://www.youtube.com/@BlackstoneGriddles)





# RECETAS PARA ALMUERZO Y CENA

## HAMBURGUESA DE CEBOLLA FRITA DE OKLAHOMA

🍴 Para 4 | ⌚ 7 minutos

### Ingredientes

- 1/2 libra de 80/20 carne molida
- 1 cebolla Vidalia (o dulce)  
(en rodajas finas como papel)
- 4 lonchas de queso americano
- 1/4 taza de chips de pepinillo en vinagre
- Sal

**PASO 01** Precalienta tu Blackstone a fuego alto.

**PASO 02** Haga cuatro (4) de 2 oz Albóndigas sin apretar con la carne molida y colocar en la plancha caliente. Agregue una pizca de sal sobre cada uno y, usando su **Blackstone Burger Press**, rómpalos muy finos.

**PASO 03** Agregue 2-3 onzas de cebolla en rodajas finas sobre cada hamburguesa.

**PASO 04** Cocine durante 60-90 segundos y voltee para que las cebollas queden debajo de la hamburguesa. Agregue 1 rebanada de queso americano a cada hamburguesa y luego coloque el panecillo superior sobre el queso y luego el panecillo inferior sobre el panecillo superior. Cocine por otros 60 segundos.

**PASO 05** Para emplatar, retire el panecillo inferior de la parte superior y colóquelo en el plato. Use su espátula para levantar la hamburguesa con el panecillo superior y agréguela al panecillo inferior.

**PASO 06** Sirva caliente con unas hojuelas de pepinillo encurtido.

### RECETAS EN VIDEO:

Encuentra más inspiración y recetas en



[blackstoneproducts.com/  
blogs/recipes](https://blackstoneproducts.com/blogs/recipes)



[youtube.com/c/  
BlackstoneGriddles](https://youtube.com/c/BlackstoneGriddles)



@blackstoneproducts





# RECETAS PARA DESAYUNO

## PANQUEQUES DE FRESAS Y CREMA

Receta de Danielle Zechmann



**PASO 01** Separe el huevo y bata la clara de huevo hasta que se formen picos rígidos. Dejar de lado.

**PASO 02** Haz tu relleno de queso crema. Batir el queso crema, el azúcar y el jugo de limón. Luego, gire a velocidad baja y agregue la crema batida. Dejar de lado.

**PASO 03** Comienza tu jarabe de fresa. En una cacerola, agregue las fresas picadas, el azúcar, el jugo de limón y cocine a fuego lento en la parte superior de la plancha o en el quemador lateral hasta que los jugos se hayan espesado ligeramente. (Alrededor de 20-25 minutos)

**PASO 04** En un tazón, combine todos los ingredientes secos para panqueques.

**PASO 05** En un recipiente aparte, mezcle la yema de huevo, la leche, el jugo de limón, la ricota, la mantequilla y la vainilla.

**PASO 06** Agregue lentamente los ingredientes secos y mezcle hasta que se combinen.

**PASO 07** Agregue suavemente las claras de huevo y los trocitos de fresa a la mezcla para panqueques.

**PASO 08** Precaliente la plancha a fuego medio. Derrita una cucharada de mantequilla en la plancha y extiéndala. Vierta 1/4 taza de mezcla para panqueques en la plancha y deje cocinar hasta que comiencen a formarse burbujas y los bordes estén ligeramente dorados. Unos 3-4 minutos. Voltee y cocine otros 3 minutos.

**PASO 09** Una vez que todos sus panqueques estén cocidos, tome un plato y comience a colocarlos en capas. Comience con un panqueque, luego extiéndalo un poco del relleno de queso crema y cubra con el jarabe de fresa.

### Relleno de queso crema

- 8 oz de queso crema, temperatura ambiente
- 3 cucharadas de azúcar
- 2 cucharadas de jugo de limón
- 2/3 taza de crema para batir

### Jarabe de fresa

- 1 pinta de fresas cortadas en trozos (congeladas está bien)
- 1/4 taza de azúcar
- 2 cucharadas de jugo de limón

🍴 Para 6 | ⌚ 45 minutos

### Ingredientes para panqueques

- 1 huevo, separado
  - 1/2 taza de leche
  - 1/3 taza de queso ricota
  - 2 cucharadas de mantequilla derretida
  - 1 cucharadita de extracto puro de vainilla
  - 2 cucharaditas de jugo de limón
  - 5 fresas picadas en trocitos (congelado está bien)
- INGREDIENTES SECOS**
- 2/3 taza de harina para todo uso
  - 2 cucharaditas de levadura en polvo
  - 1 cucharada de azúcar
  - una pizca de sal

### RECETAS EN VIDEO:

Encuentra más inspiración y recetas en



[blackstoneproducts.com/blogs/recipes](https://blackstoneproducts.com/blogs/recipes)



[youtube.com/c/BlackstoneGriddles](https://youtube.com/c/BlackstoneGriddles)



@blackstoneproducts



# RECETAS PARA ALMUERZO Y CENA

## TACOS BORRACHOS

🍴 Para 4 | ⌚ 2 - 4 horas

### Ingredientes

- 12 oz de cerveza rubia
- 2 lb de solomillo
- 1 manojo de cilantro (finamente picado)
- 1/4 de cebolla blanca (finamente picada)
- 1/4 cucharada de pimienta negra
- 4 dientes de ajo (picados en trozos grandes)
- 1/4 taza de aceite vegetal
- 24 tortillas (tortillas pequeñas de 4.5")
- Sal (al gusto)

**PASO 01** Sazone los filetes de solomillo con sal y pimienta negra, asegurándose de untar bien los filetes con sal y pimienta.

**PASO 02** Cortar el bistec en trozos pequeños.

**PASO 03** En una bolsa de plástico, coloque los trozos de carne, la cebolla, el ajo y el cilantro. Mezcle todos los ingredientes.

**PASO 04** Una vez mezclados todos los ingredientes, agrega poco a poco el contenido de la botella de cerveza (fría o temperatura ambiente) en la bolsa plástica.

**PASO 05** Sacar el aire de la bolsa plástica y dejar marinar la carne en el frigorífico entre 2 y 4 horas.

**PASO 06** Cuando la carne esté lista, escurrir la cerveza y colocar la carne en un plato.

**PASO 07** Precalienta la plancha Blackstone a fuego medio durante cinco minutos. Luego, agregue aceite vegetal a la superficie y deje que alcance la temperatura durante treinta segundos. Agregue su bistec previamente marinado a la plancha Blackstone.

**PASO 08** Cocine el bistec durante unos tres minutos o hasta que esté bien cocido y colóquelo en un tazón.

**PASO 09** Extienda todos los jugos restantes del bistec en la plancha y coloque las tortillas encima hasta que estén cocidas (las tortillas cambian ligeramente de color y se vuelven maleables), volteando las tortillas de vez en cuando.

**PASO 10** Para hacer los tacos, coloque una tortilla encima de la otra (dos tortillas juntas). Con una cuchara coloca el bife encima de las tortillas y decora con cebolla blanca finamente picada y cilantro. También puede agregar su salsa favorita.

### RECETAS EN VIDEO:

Encuentra más inspiración y recetas en



[blackstoneproducts.com/  
blogs/recipes](https://blackstoneproducts.com/blogs/recipes)



[youtube.com/c/  
BlackstoneGriddles](https://youtube.com/c/BlackstoneGriddles)



@blackstoneproducts



# NORTH ATLANTIC IMPORTS LLC

## GARANTÍA DE 1 AÑO

North Atlantic Imports, el fabricante, garantizará por un año a partir de la compra a todas las piezas, mano de obra y acabados. Será la opción del fabricante en cuanto a si reparar o reemplazar cualquiera de los elementos anteriores. Todas las garantías están limitadas únicamente al comprador original. Esta garantía no cubre ninguna responsabilidad por parte de North Atlantic Imports, sus agentes o empleados, por cualquier daño indirecto o consecuente por incumplimiento de la garantía. El comprador debe seguir las instrucciones de uso del fabricante.

Bajo ninguna circunstancia, el fabricante es responsable de los daños causados por el hecho de no operar correctamente la estación de cocción. Es responsabilidad del comprador establecer el período de garantía al verificar la fecha de compra original con el recibo de compra original.

*Para obtener una explicación más detallada de la garantía, lea a continuación:*

North Atlantic Imports LLC garantiza al propietario que el producto cubierto por este acuerdo está libre de defectos de material y mano de obra bajo el uso y servicio normal para el cual fue diseñado si, pero solo si, ha sido operado de acuerdo con North Atlantic Imports LLC instrucciones exclusivamente para uso doméstico, y no para club público o privado, institucional o comercial.

La obligación de North Atlantic Imports LLC bajo esta garantía se limita a reemplazar o reparar, sin cargo, cualquier parte o partes que puedan probar, a satisfacción de North Atlantic Imports LLC, ser defectuosas bajo el uso y servicio doméstico normal dentro de los siguientes períodos establecidos de tiempo desde la fecha de compra; durante un año desde la compra, todas las piezas, el acabado y la mano de obra. Si cualquier incumplimiento de esta garantía se hace evidente durante los períodos de garantía aplicables indicados anteriormente, el comprador original debe notificar a North Atlantic Imports LLC del incumplimiento de la garantía dentro del período de garantía aplicable.

North Atlantic Imports LLC, previo aviso y cumplimiento por parte del comprador original de dichas instrucciones, corregirá dicha no conformidad reparando o reemplazando la pieza o piezas defectuosas.

La corrección en la forma provista anteriormente constituirá el cumplimiento de todas las obligaciones de North Atlantic Imports LLC con respecto a la calidad del producto.

North Atlantic Imports LLC no garantiza que este equipo cumpla con los requisitos de ningún código de seguridad de ningún estado, municipio u otra jurisdicción, y el comprador original asume todo el riesgo y la responsabilidad que resulte del uso del mismo, ya sea que se use de acuerdo con North Atlantic Imports. Instrucciones de LLC o de otro tipo.

Esta garantía no cubre y está destinada a excluir cualquier responsabilidad por parte de North Atlantic, sus agentes, servidores o empleados, ya sea bajo esta garantía o implícita por ley, por cualquier daño indirecto o consecuente por incumplimiento de cualquier garantía. El comprador debe establecer todos los períodos de garantía aplicables de conformidad

con esta garantía verificando la fecha de compra original mediante la presentación del recibo de venta con fecha. Esta garantía no se aplicará a este producto o cualquier otra parte del mismo que haya sido objeto de accidente, negligencia, alteración, abuso o mal uso o que haya sido reparado o alterado sin el consentimiento por escrito de North Atlantic, fuera de la fábrica de North Atlantic Imports LLC. La garantía completa del fabricante no es válida para planchas compradas a revendedores externos sin licencia, compradas con descuento debido a piezas faltantes o dañadas, o compradas como modelo de piso; a discreción de North Atlantic Imports.

North Atlantic Imports LLC no ofrece garantía alguna con respecto a los accesorios o piezas no suministrados con él. Esta garantía se aplicará únicamente dentro de los límites de los Estados Unidos de América. Esta garantía otorga al comprador original derechos específicos, y el comprador original también puede tener otros derechos, que varían de un estado a otro.

