



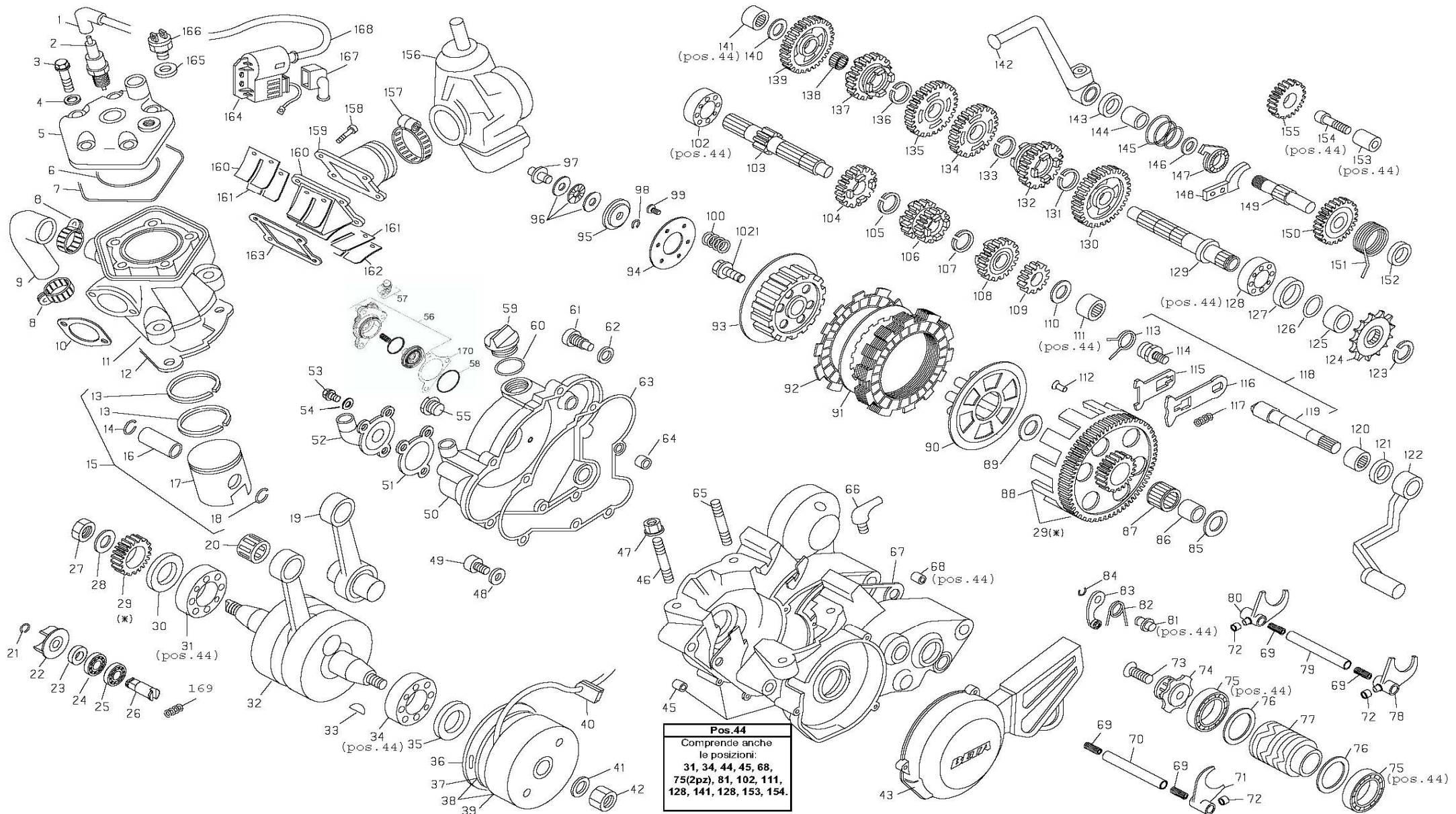
EVO 80cc 2013 JUNIOR

04/04/13



engine EVO 80cc 2013

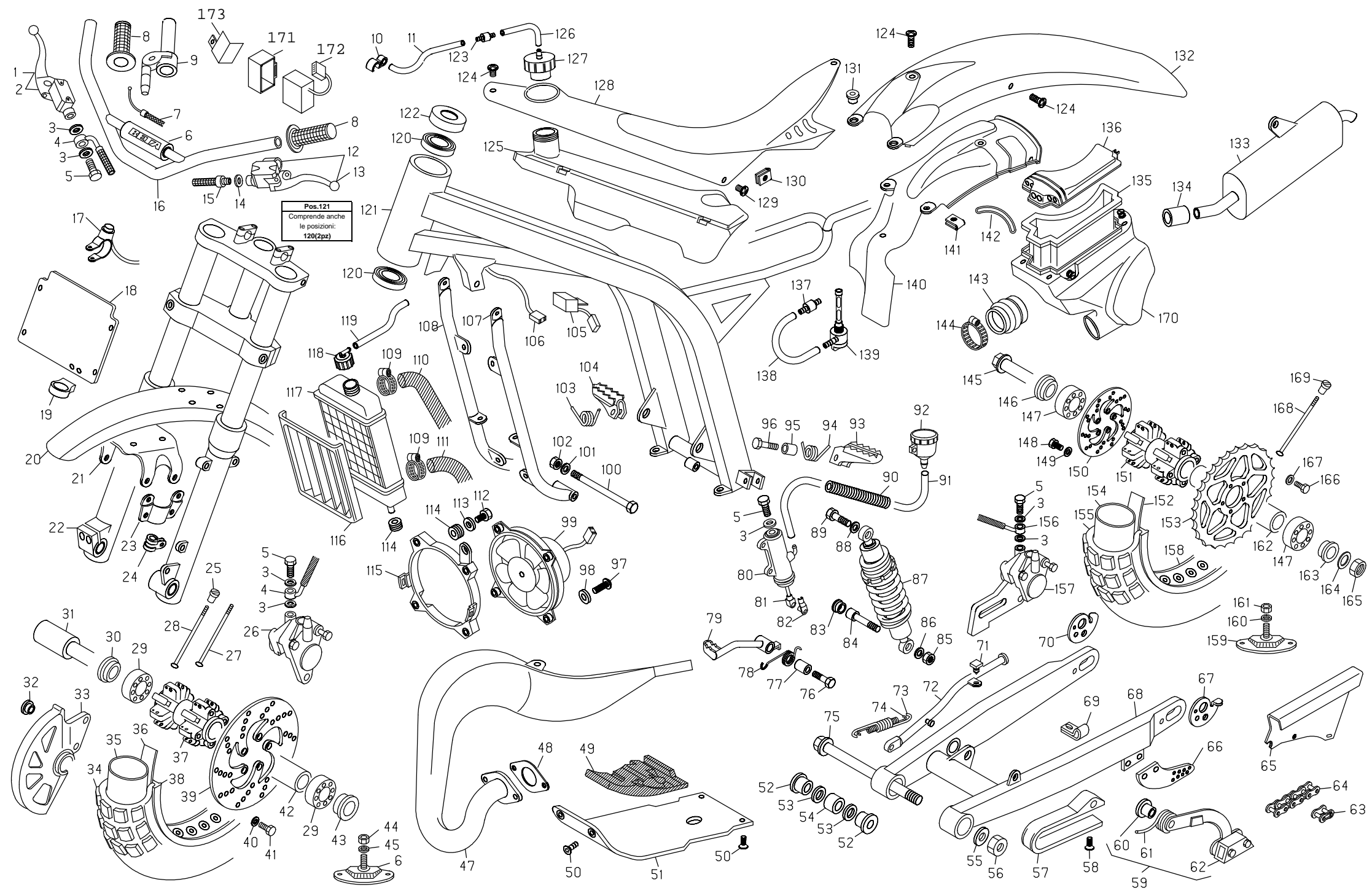
cod. 3742864 000 04/04/2013



N.	CODE	DESCRIPTION	N.	CODE	DESCRIPTION	N.	CODE	DESCRIPTION
1	27-13515	SPARK PLUG PROTECTOR	60	10-66340	SEAL 16x3	119	11-22200	NEEDLE BEARING 12x18x12
2	12-25200	SPARK PLUG	61	31-88500	SCREW	120	10-12010	SELECTOR SHAFT
3	11-52425	SPECIAL BOLT	62	16-49100	GASKET 8x12x0,5	121	10-47500	OIL SEAL 12x20x5
4	27-45100	COPPER WASHER 7x12x0,5	63	16-71520	CLUTCH COVER GASKET	122	21-21220	SHIFT LEVER
5	29-12025-0-57	CYLINDER HEAD	64	16-37010	DOWEL 9x15	123	28-25410	SEEGER AS 20E
6	10-67110	SEAL VYTON 53.70x57.26x1.78	65	25-98050	STUD BOLT 8x44	124	25-61050	SPROCKET Z.11
7	10-66960	SEAL 94.97x98.53x1.78	66	27-23470	BREATHER PIPE HOSE	125	13-55250	SPROCKET SPACER
8	15-15228	CLAMP 14/24	67	16-55030	CRANKCASE GASKET	126	10-66350	SEAL 18.77x1.78
9	29-15910	COOLING HOSE	68	16-41530	DOWEL 17	127	10-64700	OIL SEAL 26x35x7
10	16-80321	GASKET	69	22-65015	SPRING	128	12-98000	BALL BEARING 20x42x12
11	12-52463-0-57	CYLINDER	70	25-51011	SELECTOR PIN	129	10-28051-8	LAYSHAFT
12	16-61750	CYLINDER CRANKCASE GASKET	71	15-64031	SELECTOR FORK 5-6	130	18-52030-8	2ND GEAR - LAYSHAFT
13	28-60180	PISTON RING	72	11-29035	SELECTOR FORK BUSH	131	28-25410	SEEGER AS 20E
14	10-42010	CIRCLIP	73	31-30510	SCREW 6x30	132	18-67142-8	6TH GEAR - LAYSHAFT
15	25-80270-8	COMPL. PISTON	74	12-19122	TOP CAM	133	28-25410	SEEGER AS 20E
16	28-93620	PISTON PIN	75	12-99405	BALL BEARING 25x37x7	134	18-61500-8	3RD GEAR - LAYSHAFT
17	25-80270	PISTON	76	27-73695	SPECIAL WASHER	135	18-64100-8	4TH GEAR - LAYSHAFT
18	10-42010	CIRCLIP	77	12-19113	CAM	136	28-25410	SEEGER AS 20E
19	11-03716-8	CONNECTING ROD ASSY	78	15-64012	SELECTOR FORK 1-4	137	18-66442-8	5TH GEAR - LAYSHAFT
20	16-11500	NEEDLE BEARING	79	25-51021	SELECTOR PIN	138	16-12650	NEEDLE BEARING
21	28-22660	SEEGER 9E	80	15-64011	SELECTOR FORK 2-3	139	18-43023-8	1ST GEAR - LAYSHAFT
22	31-21831	PUMP FAN	81	25-54430	PIN	140	27-60500	WASHER 11x25x1
23	10-44610	OIL SEAL 10x18x4	82	22-39581	LOCATING SPRING	141	11-22250	NEEDLE BEARING 12-19-12
24	12-93400	SCH. BALL BEARING 10x19x5	83	21-17011	LOCATING LEVER	142	21-55153	KICKSTARTER LEVER
25	12-93390	BALL BEARING 10x19x5	84	28-22700	SEEGER 10E	143	10-52010	OIL SEAL 14x24x7
26	10-27752	WATER PUMP SHAFT	85	27-71100	SPECIAL WASHER 17x30x1,5	144	11-31020	SINTERED BUSH
27	13-28951	SPECIAL NUT 14x1,25x5	86	11-27120	STEEL BUSH	145	22-36570	CONICAL SPRING
28	27-61550	WASHER 14x20x1	87	16-17280	NEEDLE BEARING 21.25.17	146	27-61550	WASHER 14x20x1
29	29-07303-8	PRIMARY DRIVE	88	12-20770	CLUTCH HOUSING	147	22-14090-8	KICKSTARTER SLEEVE
30	10-64111	OIL SEAL VYTON 20x35x6	89	27-71100	SPECIAL WASHER 17x30x1,5	148	25-57945	KICKSTARTER PLATE
31	12-99022	BALL BEARING 20x52x15	90	12-29593	PRESSURE PLATE	149	10-15120-8	STARTER SHAFT
32	10-00682	CRANKSHAFT	91	13-38130	CLUTCH PLATE	150	18-14620-8	STARTER GEAR
33	12-46000	WOODRUFF KEY	92	13-43210	STEEL CLUTCH PLATE	151	22-78250	KICKSTARTER SPRING
34	12-99022	BALL BEARING 20x52x15	93	29-09613	CLUTCH CENTER	152	13-48080	SPACER
35	10-64111	OIL SEAL VYTON 20x35x6	94	13-42050	SPRINGS BLOCKING PLATE	153	25-43910	DRIVE GEAR PIN
36	25-60163	STATOR PLATE	95	28-16820	CLUTCH DRIVE PIN HOLDER	154	31-31050	SCREW 6x15
37	28-97815	FLYWHEEL STATOR	96	16-11250	NEEDLE BEARING 6x19x2	155	18-67810	GEAR
38	31-03271	ELECTRIC FLYWHEEL	97	25-52991	CLUTCH DRIVE PIN	156	12-05068	CARBURETOR
39	27-00376	FLYWHEEL ROTOR	98	28-22610	SEEGER 6E	157	15-15370	CLAMP
40	16-33553	GROMMET	99	31-34400	SCREW 6x20	158	31-34510	SCREW 6x20
41	27-52500	SPECIAL WASHER	100	22-65093	CLUTCH SPRING	159	27-23051	INLET MANIFOLD
42	13-25100	SPECIAL NUT	101	11-59150	SPECIAL BOLT	160	31-02140	REED VALVE
43	12-70083-0-57	MAGNETO COVER	102	12-95500	BALL BEARING 17x40x9	161	25-59670	VALVE'S BLADE
44	12-06232-8	CRANKCASE	103	10-23520-8	LAYSHAFT	162	21-15360	VALVE'S PLATE
45	16-41510	DOWEL 12	104	18-38412-8	5ND GEAR - LAYSHAFT	163	16-92550	VALVE'S GASKET
46	25-98050	STUD BOLT 8x41	105	28-24950	SEEGER 17 SW	164	11-20681	H.T. COIL
47	13-17121	SPECIAL NUT M8	106	18-37652-8	3RD/4TH GEAR - MAINSHAFT	165	16-49500	GASKET 8x20x1
48	16-50511	COPPER WASHER 10x15x2	107	28-24950	SEEGER 17 SW	166	29-11960	THERMOSTAT
49	11-58020	SPECIAL BOLT	108	18-38742-8	6TH GEAR - MAINSHAFT	167	12-30460	H.T. COIL RUBBER
50	12-62102-0-33	CLUTCH COVER	109	18-34110-8	2ND GEAR - MAINSHAFT	168	12-08280	COIL SCREENED CABLE
51	16-74930	GASKET	110	27-60500	SPECIAL WASHER	169	22-36580	WATER PUMP SHAFT SPRING
52	12-67941-0-33	PUMP COVER	111	11-22250	NEEDLE BEARING 12x19x12	170	006030850 000	GASKET CLUTCH SLAVE CYLINDER
53	31-30510	SPECIAL BOLT	112	27-31640	RIVET 5x9			
54	27-40490	COPPER WASHER 6x10	113	22-72030	SELECTOR SPRING			
55	29-10030	WARNING OIL PLUG	114	25-54410	PIN FOR RETURNING SPRING			
56	004030808 000	CLUTCH OIL PLUG	115	31-20980-8	ROLLING SHIFT CONTR. FORK			
57	28-91050-8-00	SPECIAL SCREW	116	31-20975	SHIFT CONTROL FORK			
58	10-66840-0-00	OIL SEAL	117	22-68010	SHIFT CONTROL SPRING			
59	29-09600	FEEDING OIL PLUG	118	10-12010-8	SELECTOR SHAFT ASSY			

SUPPLEMENTARY PARTS LIST

12-00686-8	GEARBOX
22-05070-8	COMPLETE KICKSTARTER
28-06887-8	OIL SEAL SET
28-08070-8	GASKET SET



N.	CODICE	DESCRIZIONE
1	21-27058	FRONT BRAKE LEVER ONLY
2	21-02151	FRONT BRAKE LEVER
3	16-50510	COPPER WASHER 10x15x1
4	29-09118	FRONT BRAKE HOSE
5	11-65041	SPEC. BOLT BRAKE TUBE
6	16-23593-0-57	HEADLEBAR RUBBER
7	29-21977-0-52	THROTTLE CABLE
8	22-18531	GRIPS
9	12-55091	THROTTLE ONLY
10	28-98600	BEATHER PIPE BRACKET
11	29-15811	TUBE 5x9
12	21-02421	CLUTCH LEVER
13	21-27081	CLUTCH LEVER ONLY
14	16-50510	COPPER WASHER
15	004350200 000	CLUTCH TRANSMISSION
16	22-20454-0-26	HANDLEBAR
17	18-84988	SWITCH
18	004430148 059	HEADLIGHT MASK ASSY
19	25-25220	PLATE
20	004430128 059	FRONT FENDER
21	28-98270	FRONT FENDER BRACKET
22	15-08133	FRONT FORK
23	28-98276	BRACKET
24	15-14653	CLAMP
25	23-10060	NIPPLES
26	25-03047	FRONT BRACKE PLIERS
27	27-23833	FRONT SPOKE 3x250
28	27-23834	FRONT SPOKE 3x252
29	12-94010	BALL BEARING 15x35x11
30	13-85766	WHEEL HUB RH SPACER
31	25-55693	FRONT WHEEL AXLE
32	13-55240	FRONT DISK COVER SPACER
33	12-88071-1-59	DISK BRAKE COVER SPACER
34	12-79050	FRONT TIRE, 2,50 19"
35	12-16050	FRONT TUBE, 2,50 19"
36	15-36010	FLAP 19"
37	22-07243	FRONT HUB
38	12-42863	FRONT RIM 19"
39	13-39276	FRONT BRAKE DISK
40	11-49010	WASHER 8 GROWER
41	27-39400	BOLT 8x8
42	13-62704	WHEEL HUB INNER SPACER
43	13-85765	WHEEL HUB LH SPACER
44	13-17000	NUT
45	27-48000	WASHER 8 GROWER
46	15-17500	TIRE FASTENER
47	22-03344	MUFFLER
48	16-80323	COPPER
49	16-23342	BUMPER RUBBER
50	31-63930	SCREW 8x20
51	12-32172	BUMPER
52	13-49201	SPACER
53	10-41195	DUST COVER RING
54	11-26451	AXLE BOX
55	27-55600	WASHER

N.	CODICE	DESCRIZIONE
56	13-21150	NUT
57	29-10093-0-52	SLIDING BLOCK
58	31-30500	SCREW 6x12
59	25-25970	SLIDING BLOCK ASSY
60	13-46314	SPACER
61	22-81111	SPRING
62	16-22500	RUBBER SLIDING BLOCK
63	22-11180	CONNECTION LINK
64	12-08000	CHAIN
65	12-84771-0-52	CHAINGUARD
66	25-98955	SPROCKET PROTECTION
67	29-11891	LH CHAIN ADJUSTER
68	15-49646-0-59	SWINGING ARM
69	15-14653	CLAMP
70	29-11892	RH CHAIN ADJUSTER
71	16-29490	RUBBER STAND
72	12-39971	STAND
73	22-47022	STAND SPRING
74	22-47019	STAND SPRING
75	25-55725	S/ARM SPINDLE
76	11-55450	BOLT 8x30
77	11-31031	BOCCOLA
78	22-80510	SPRING BRAKE LEVER
79	25-28096	BRAKE LEVER
80	25-91182	REAR BRAKE PUMP
81	10-84093	REAR BRAKE ROD
82	28-93130	BREAKE ROD LOCKING PLATE
83	29-10593	RUBBER PLUG
84	31-65510	SCREW 10x55
85	13-19010	NUT
86	27-54000	WASHER
87	10-03723	SHOCK ABSORBER
88	27-54000	SELF-BLOCKING NUT
89	11-63000	BOLT 10x50
90	22-55535	SPRING
91	29-15862	TUBE 3x8
92	28-05100	BREKE OIL TANK
93	25-32530	LH FOOTREST
94	22-62020	LH FOOTREST SPRING
95	13-46530	SPACER
96	11-55700	BOLT 8x45
97	31-27510	SCREW 4x20
98	27-34500	WASHER
99	14-01040	ELECTRIC FAN
100	11-57990	BOLT 8x180
101	27-49500	WASHER 8x18
102	13-17020	NUT 8 SELF BLOCKING
103	22-62010	FOOTREST SPRING
104	25-32520	RH FOOTREST
105	27-28092	REGULATOR
106	18-01851	ELECTRIC EQUIPMENT
107	29-11564-0-50	LH CONNECTING FRAME ROD
108	29-11563-0-50	RH CONNECTING FRAME ROD
109	15-15230	CLAMP 14-24
110	29-15736	RADIATOR PIPE

N.	CODICE	DESCRIZIONE
111	29-15735	RADIATOR PIPE
112	11-46100	BOLT 5x8
113	27-36000	WASHER
114	28-91500	SILENT BLOCK
115	28-98012-0-59	ELECTRIC FUN BRACKET
116	16-45538-1-67	RADIATOR GRILL
117	27-23641	RADIATOR
118	29-01821	RADIATOR PLUG
119	29-15811	PIPE 5x9
120	12-98300	CONICAL BEARING 20x42x15
121	29-11575-8-50	FRAME
122	25-98670	PROTECTION BEARING
123	31-02170	TANK VALVE
124	31-30520	SCREW 6x16
125	28-06071	FUEL TANK
126	29-15811	PIPE 5x9
127	29-00525-0-59	FUEL TANK PLUG
128	004430138 011	FUEL TANK COVER ASSY
129	31-30520	SCREW 6x16
130	25-60310	PLATE FIXING M6
131	13-62000	SPACER
132	004430038 011	REAR FENDER ASSY
133	28-91790	SILENCER
134	22-12120	RUBBER SLEVE
135	15-25205	AIR FILTER
136	12-73181	FILTER COVER
137	15-24651	GASOLINE FILTER
138	29-15811	PIPE 5x9
139	27-81082	PETCOCK
140	25-24655-0-59	WHEEL HOUSE
141	25-60310	PLATE FIXING M6
142	14-40040	ELESTIC RUBBER
143	22-13576	RUBBER SLEEVE
144	15-15360	CLAMP 25-45
145	25-55815	REAR WHEEL AXLE
146	13-85767	WHEEL HUB RH SPACER
147	12-94010	BALL BEARING 15x35x11
148	11-49010	BOLT 6x20
149	27-39400	WASHER
150	13-39413	REAR BRAKE DISK
151	22-08042	REAR HUB
152	15-36000	CLAMP 17-18x25
153	12-89589	REAR SPROCKET
154	12-18275	TUBE 4,00x18
155	12-81395	TIRE 4,00x18
156	29-09134	REAR BRAKE HOSE
157	25-03033	REAR BRAKE PLIERS
158	12-42865	REAR RIM 18
159	15-17501	TIRE FASTENER
160	27-48000	WASHER 8 GROWER
161	13-17000	NUT 8x8
162	13-62714	INNER REAR HUB SPACER
163	13-85769	WHEEL HUB LH SPACER
164	27-55600	WASHER 8x24
165	13-21150	NUT 12x1,25

N.	CODICE	DESCRIZIONE
166	11-50600	BOLT 7x25
167	27-46500	WASHER 7x14
168	27-23835	REAR SPOKE 3x214
169	23-10060	NIPPLES
170 28-12693		AIR FILTER BOX
171 16-23325		CDI UNIT CUSHION
172 12-41831		CDI UNIT
173 28-95334		CDI UNIT PLATE
<u>SUPPLEMENTARY PARTS LIST</u>		
12-43060		SPARK KEY
004431078 000		DECALCS SET -ASSY-
004431071 000		FRONT FENDER DECALCS
004431072 000		REAR FENDER DECALCS
004431077 000		FUEL TANK COVER DECALC
004431076 000		HEADLIGHT MASK DECALC
004431074 000		COMPLETELY DECALCS
27-02611-0-57		FRONT WHEEL
27-04871-0-57		REAR WHEEL
37-42864		ENGINE, EVO 80



EVO 80cc 2013 JUNIOR

04/04/13

