



em
electricmotion

**PART LIST
2019**

em LITE

ESCAPE



INFORMATIONS

ELECTRIC MOTION
40 rue des Gardians
34160 CASTRIES
+33 467 411 090
+33 651 055 169
www.electric-motion.fr
emotion.sav@gmail.com

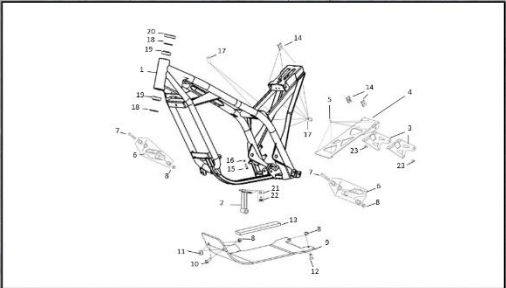
Les informations de ce document ne sont pas contractuelles et peuvent être modifiées sans préavis.

The datas of this document are not contractual and can be modified without notice.

SOMMAIRE / CONTENTS

CADRE / FRAME

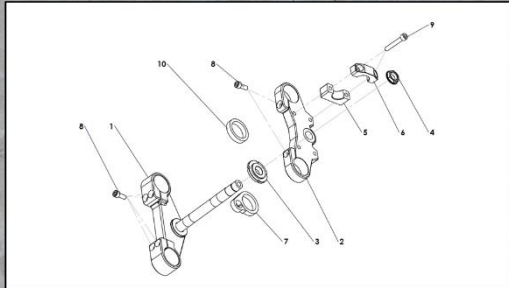
1



1

DIRECTION / STEERING

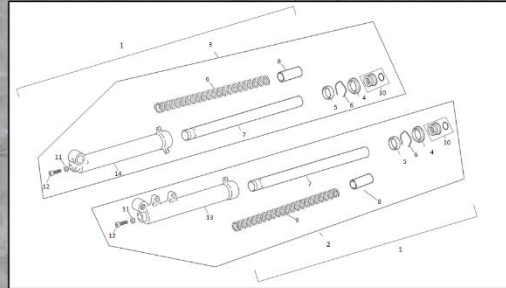
2



3

FOURCHE / FORK

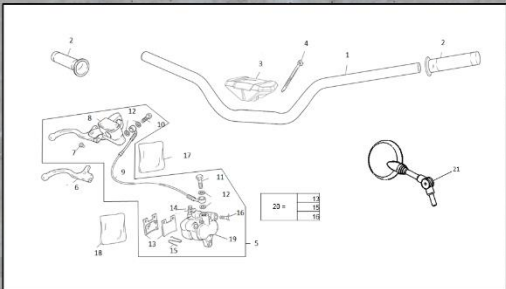
3



5

GUIDON / HANDLEBAR

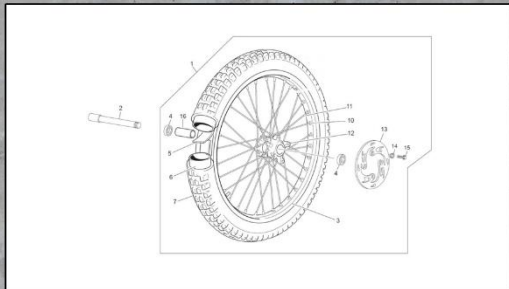
4



7

ROUE AVANT / FRONT WHEEL

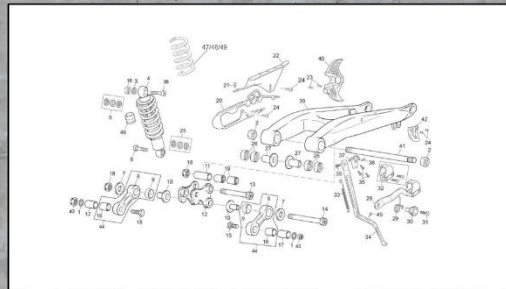
5



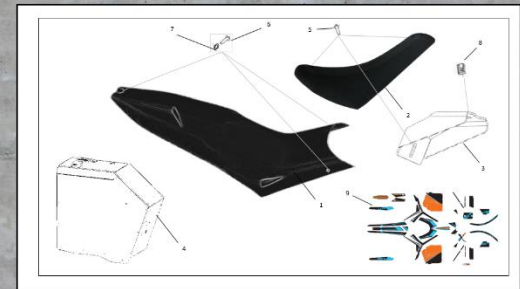
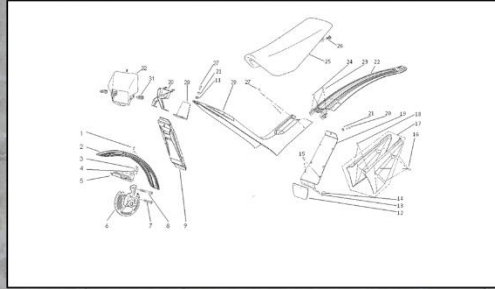
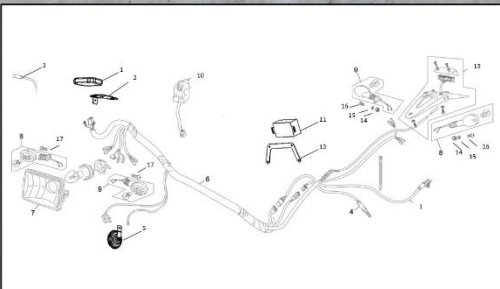
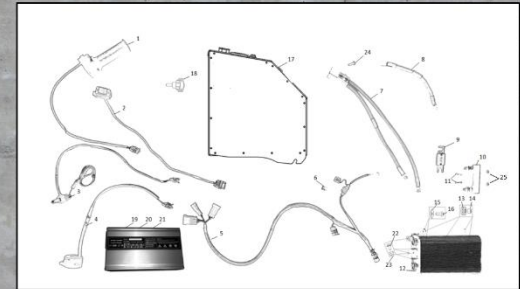
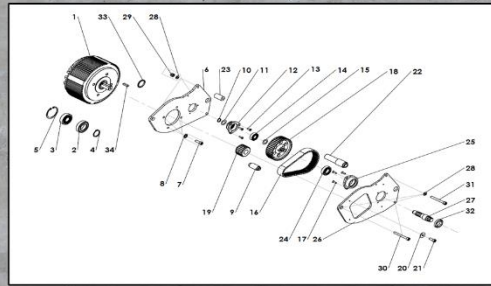
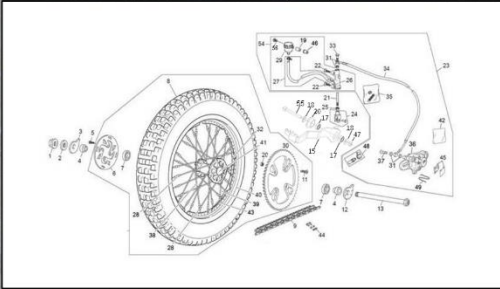
9

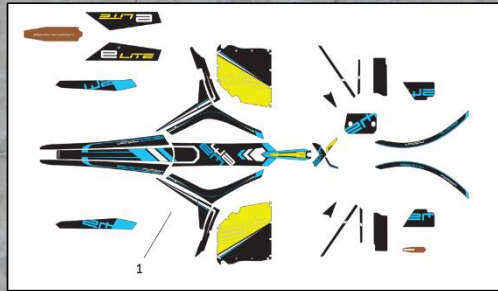
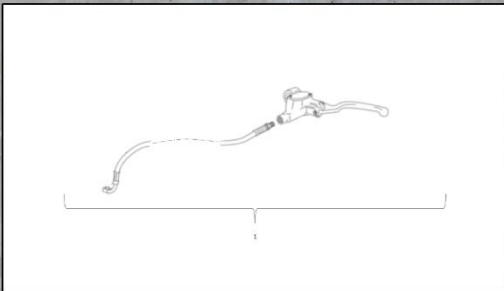
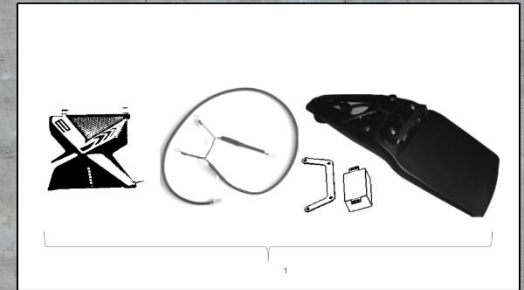
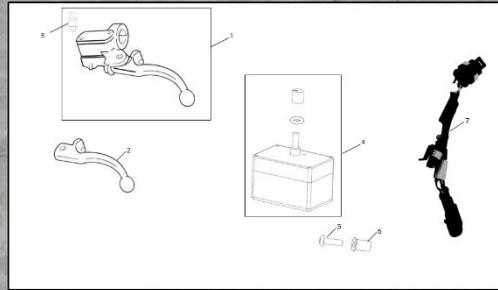
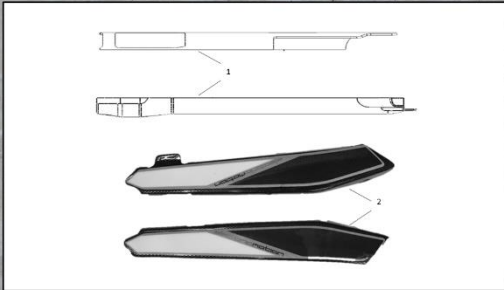
SUSPENSION ARRIERE / REAR SUSPENSION

6

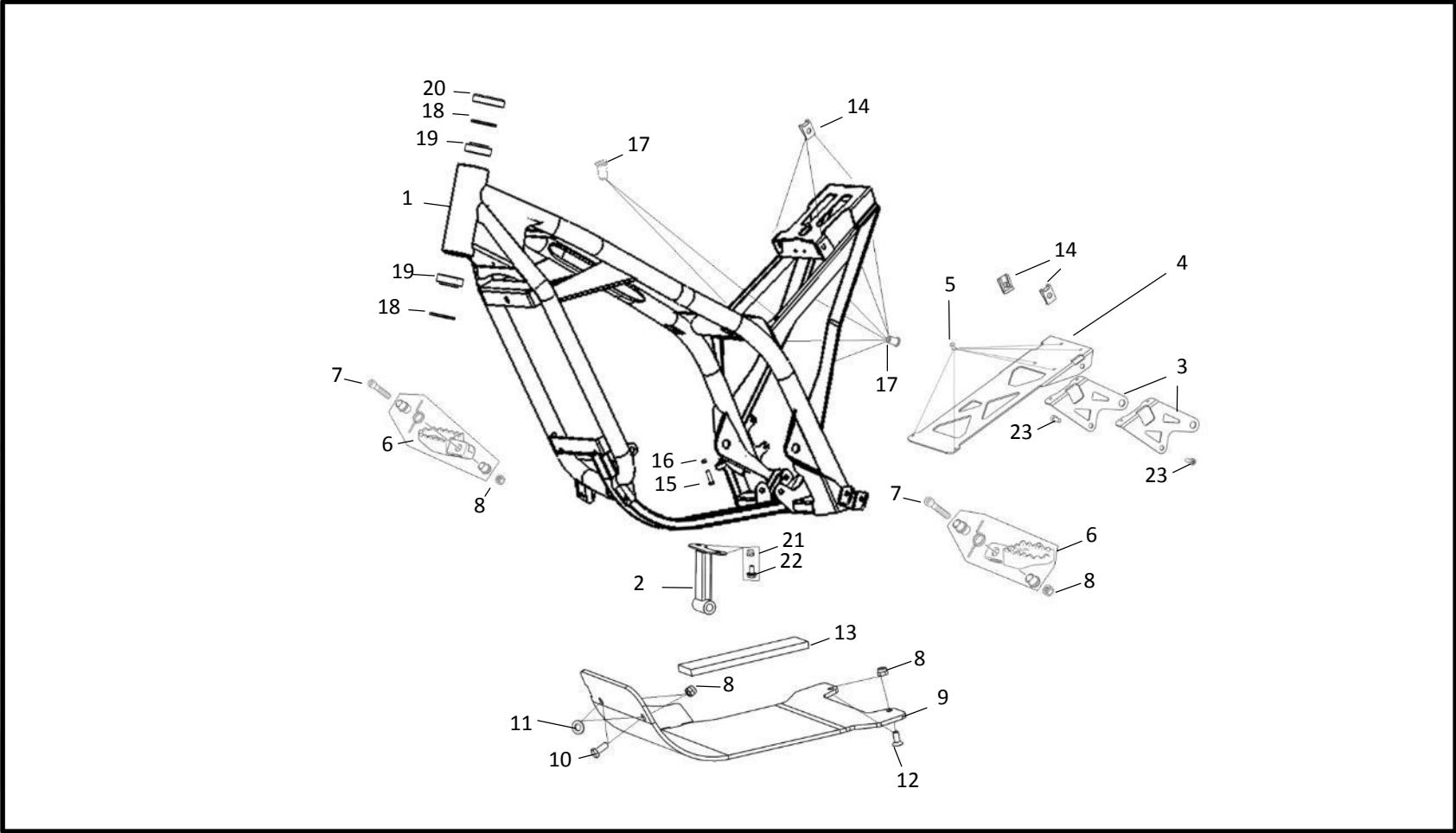


11

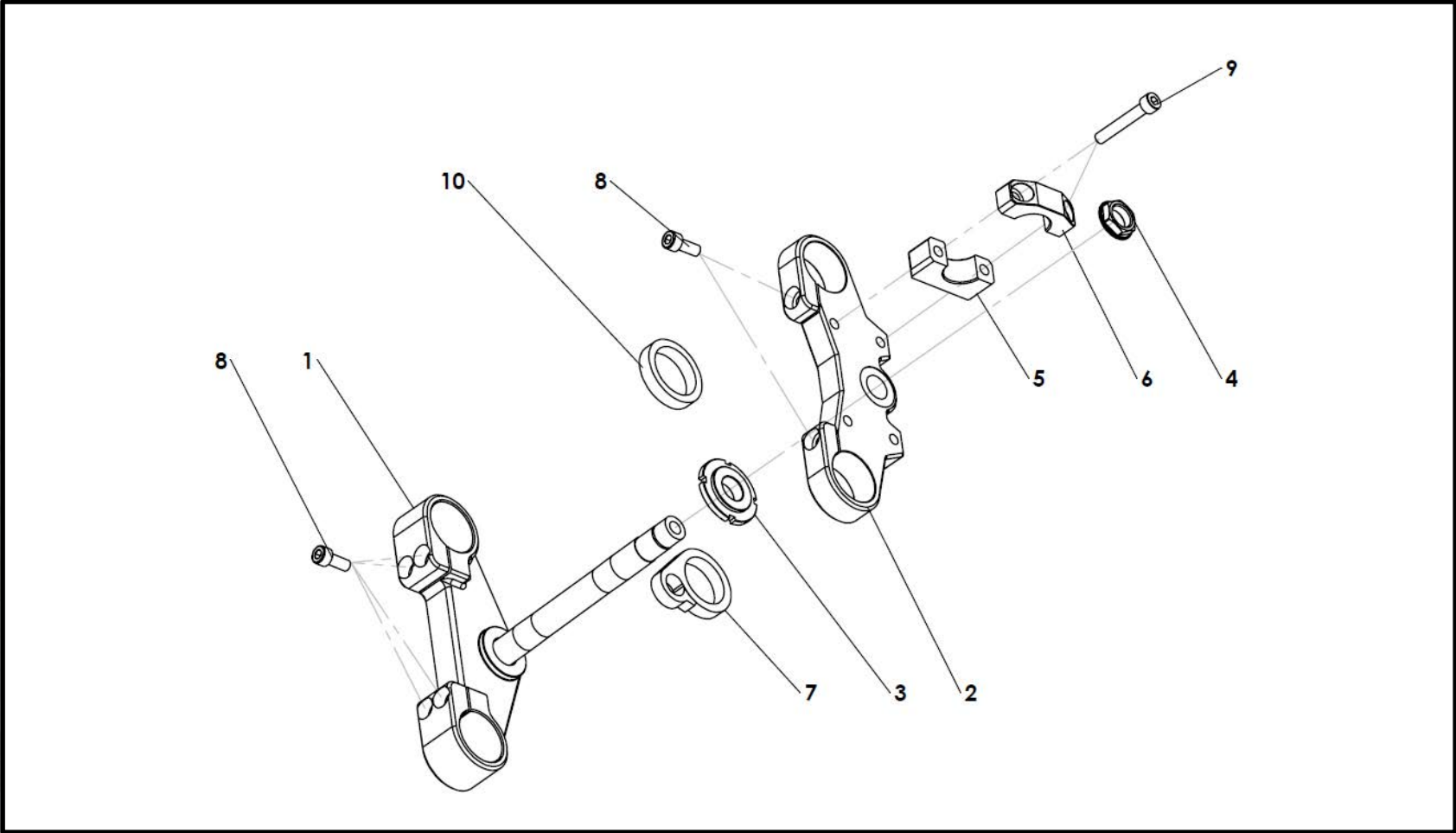




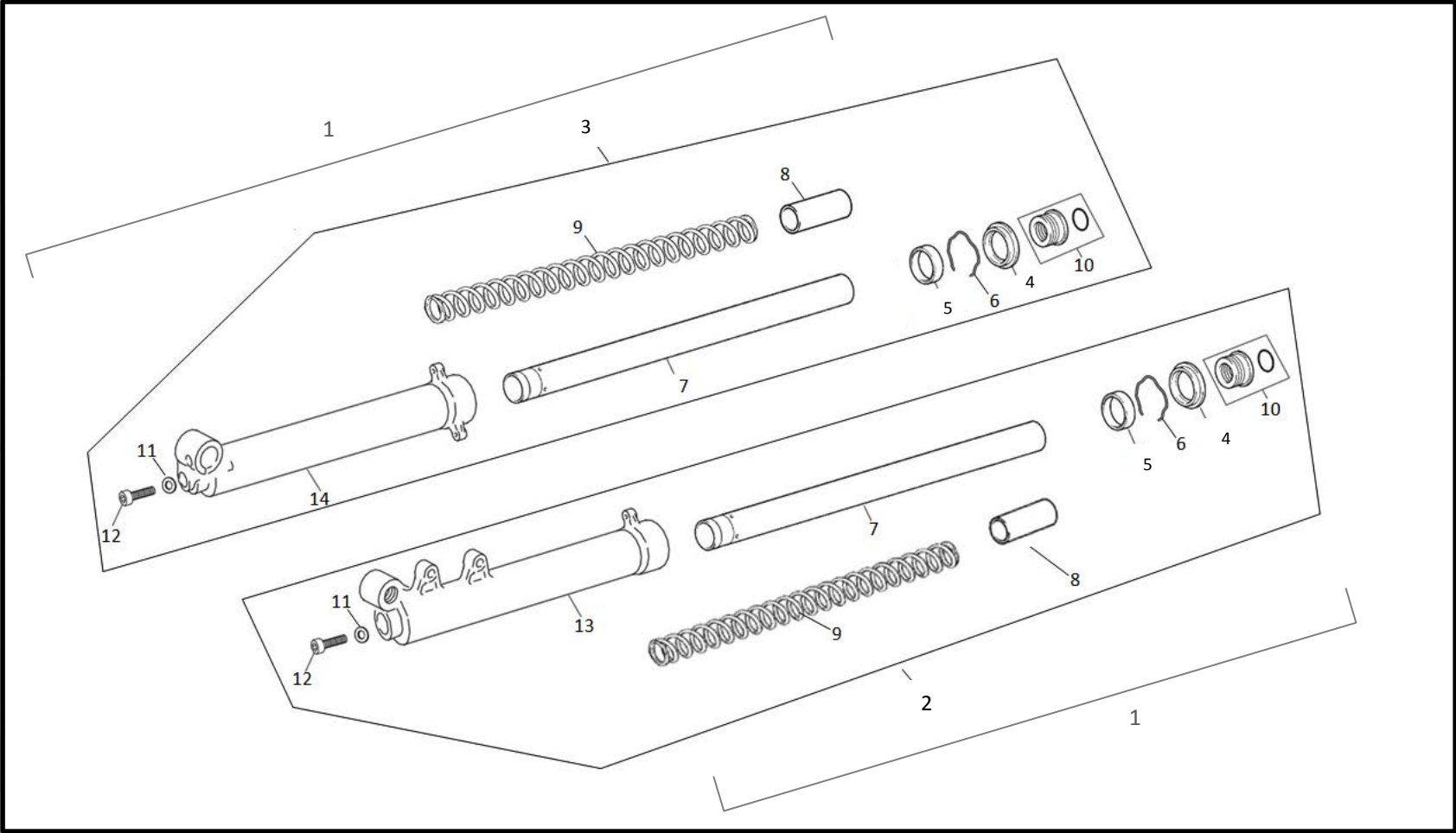
CADRE / FRAME



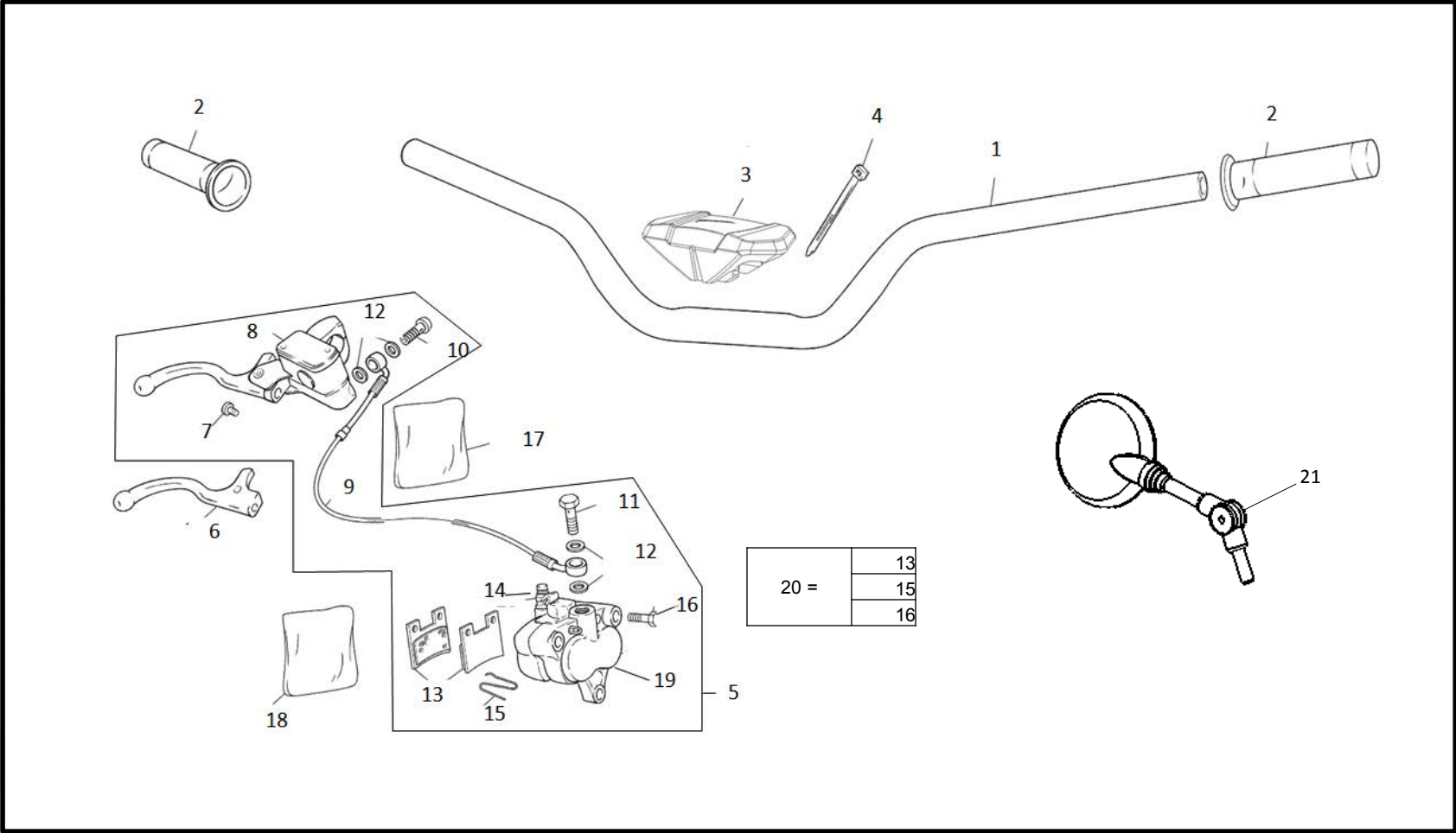
N°	REFERENCE	FRANCAIS	ENGLISH	QUANTITY
1	TL01M-10101-00-00	CADRE	FRAME	1
2	TL01K-10201-00-00	SUPPORT TRANSMISSION	BRACE TRANSMISSION	1
3	TL01L-10205-10-00	SUPPORT PACK BATTERIE	SUPPORT BATTERY PACK	2
4	TL01J-10203-10-00	PLATINE PACK BATTERIE	BATTERY PACK PLATE	1
5	ORV01-04008-10-00	RIVET 4 X 10	RIVET 4 X 10	6
6	TL01J-10105-00-00	PAIRE DE REPOSE PIED COMPLET	SET FOOTREST	1
7	OV010-08045-00-00	VIS CHC TETE BASSE 8 X 45	LOW PROFILE CHC SCREW 8 X 45	2
8	0EC08-08000-00-00	ECROU NYLSTOP M8	NUT NYLSTOP M 8	6
9	TL01K-10104-00-00	SABOT MOTEUR	ENGINE PROTECTOR PLATE	1
10	OV050-08020-00-00	VIS TH 8 X 20	SCREW TH 8 X 20	2
11	OR001-08018-02-00	RONDELLE M 8	WASHER M 8	2
12	OV020-08020-00-00	VIS FHC 8 X 20	SCREW 8X 20	2
13	TL01J-60303-00-00	TAMPON SABOT	FRAME RUBBER	1
14	OCE06-16024-09-ZI	ECROU CLIP M 6	FAST NUT M 6	5
15	OV050-05020-00-00	VIS TH 5 X 20	SCREW TH 5 X 20	1
16	0EC03-05000-00-00	DEMI-ECROU M 5	MIDLE NUT M 5	1
17	0EC10-05013-00-00	RIVET TUBULAIRE M 5	TUBULAR RIVET M 5	8
18	TL01J-20504-00-00	RONDELLE DIRECTION	STEERING WASHER	2
19	TL01J-20508-00-00	ROULEMENT DIRECTION	STEERING BEARING	2
20	TL01J-20506-00-00	CACHE POUSSIERE	DUST COVER	1
21	0EC08-06000-00-00	ECROU NYLSTOP M6	NUT NYLSTOP M 6	2
22	OV150-06012-00-00	VIS THE 6 X 12	THE 6 x 12 SCREW	2
23	OV010-05012-00-00	VIS CHC 5 X 12	CHC 5 X 12 SCREW	2



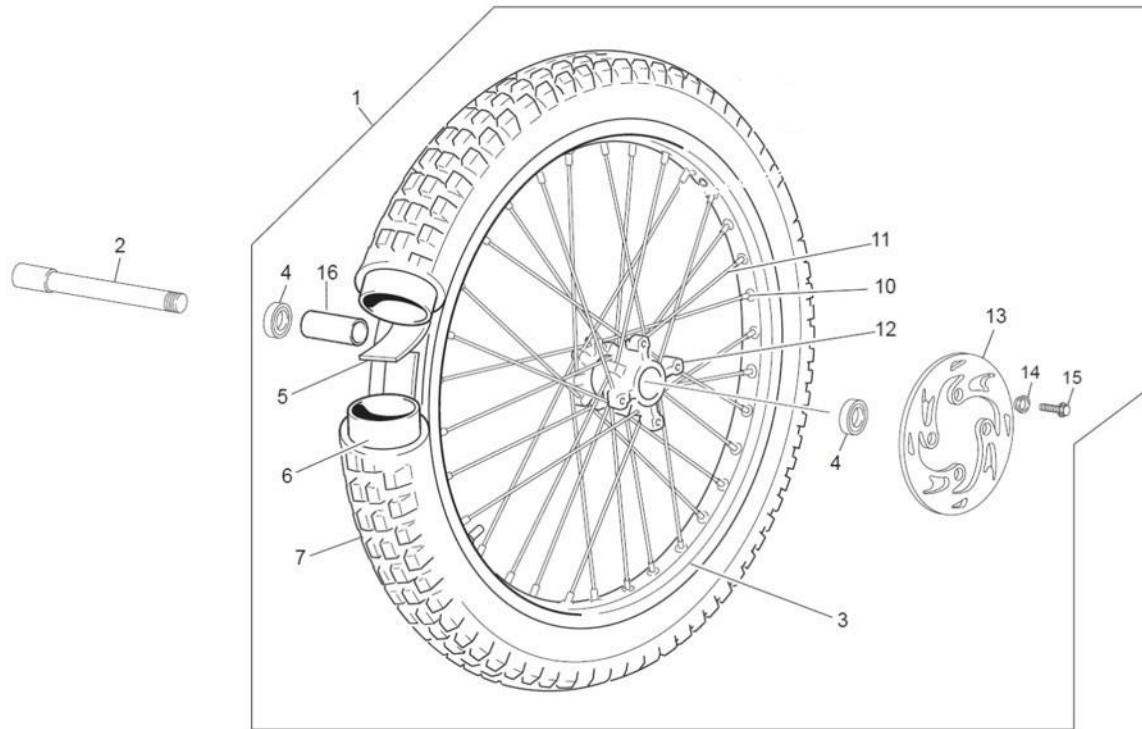
N°	REFERENCE	FRANCAIS	ENGLISH	QUANTITY
1	TL01L-20501-00-00	TE INFERIEUR	LOWER FORK CLAMP	1
1'	TL01L-20503-00-00	PIVOT	PIVOT	1
2	TL01L-20502-00-00	TE SUPERIEUR	UPPER FORK CLAMP	1
3	TL01J-20505-00-00	RONDELLE ECROU ALU AXE DIRECTION	STEERING TOP BEARING NUT	1
4	TL01J-20507-00-00	ECROU PIVOT	STEERING AXLE TOP NUT	1
5	TL01L-20510-01-00	PAIRE DE PONTETS INFERIEUR DE GUIDON	LOWER HANDLEBAR CLAMP SET	1
6	TL01L-20510-02-00	PAIRE DE PONTETS SUPERIEUR DE GUIDON	UPPER HANDLEBAR CLAMP SET	1
7	TL01J-60304-00-39	BUTEE DE DIRECTION GAUCHE	LEFT STEERING STOP	1
8	0V010-08020-00-00	VIS CHC 8 x 20	SCREW CHC 8 x 20	6
9	0V010-08050-00-00	VIS CHC 8 x 50	SCREW CHC 8 x 50	4
10	TL01J-60306-00-00	BUTEE DE DIRECTION DROITE	RIGHT STEERING STOP	1



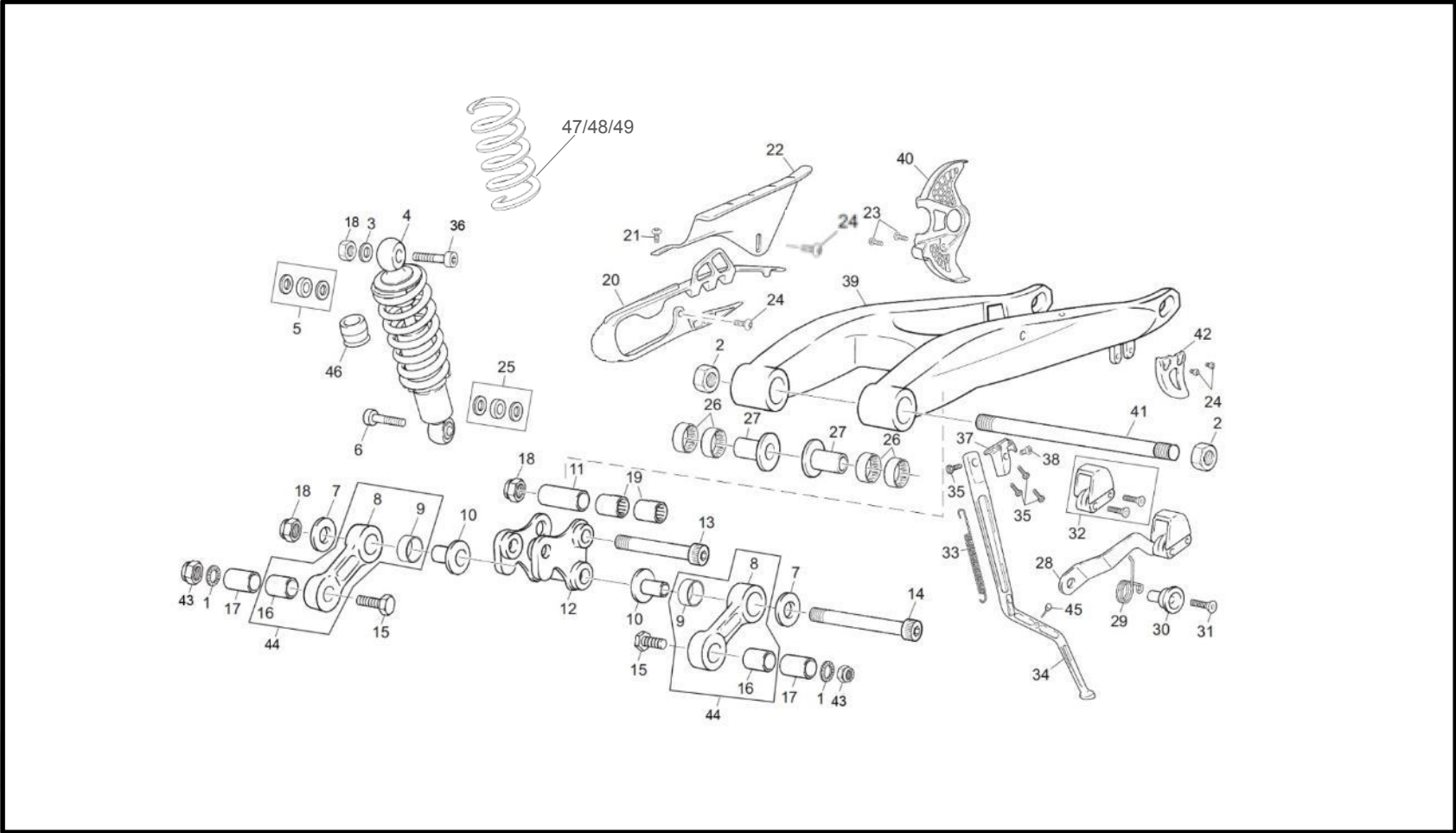
N°	REFERENCE	FRANCAIS	ENGLISH	QUANTITY
1	TL01J-20101-00-00	FOURCHE COMPLETE OLLE	OLLE COMPLETE FORK	1
2	TL01J-20102-00-00	JAMBE DE FOURCHE GAUCHE	LEFT FRONT FORK ASSY	1
3	TL01J-20103-00-00	JAMBE DE FOURCHE DROITE	RIGHT FRONT FORK ASSY	1
4	TL01J-20115-00-00	CACHE POUSSIERE	DUST SEAL	2
5	TL01J-20117-00-00	JOINT SPY	OIL SEAL	2
6	TL01J-20116-00-00	JONC MAINTIEN JOINT SPY	SNAP RING	2
7	TL01J-20106-00-00	TUBE DE FOURCHE DROIT OU GAUCHE	RIGHT OR LETF FRONT FORK INNER TUBE	2
8	TL01J-20111-00-00	ENTRETOISE PRECONTRAINTE RESSORT	SPRING SPACER	2
9	TL01J-20108-00-00	RESSORT DROIT OU GAUCHE	RIGHT OR LETF SPRING	2
10	TL01J-20113-00-00	BOUCHON DE FOURCHE + JOINT	SET FORK PLUG	2
11	TL01J-20126-00-00	RONDELLE JOINT	SEAL WASHER	2
12	TL01J-20124-00-00	VIS	SPECIAL SCREW	2
13	TL01J-20104-00-00	FOUREAU GAUCHE	LEFT OUTER FORK TUBE	1
14	TL01J-20105-00-00	FOUREAU DROIT	RIGHT OUTER FORK TUBE	1



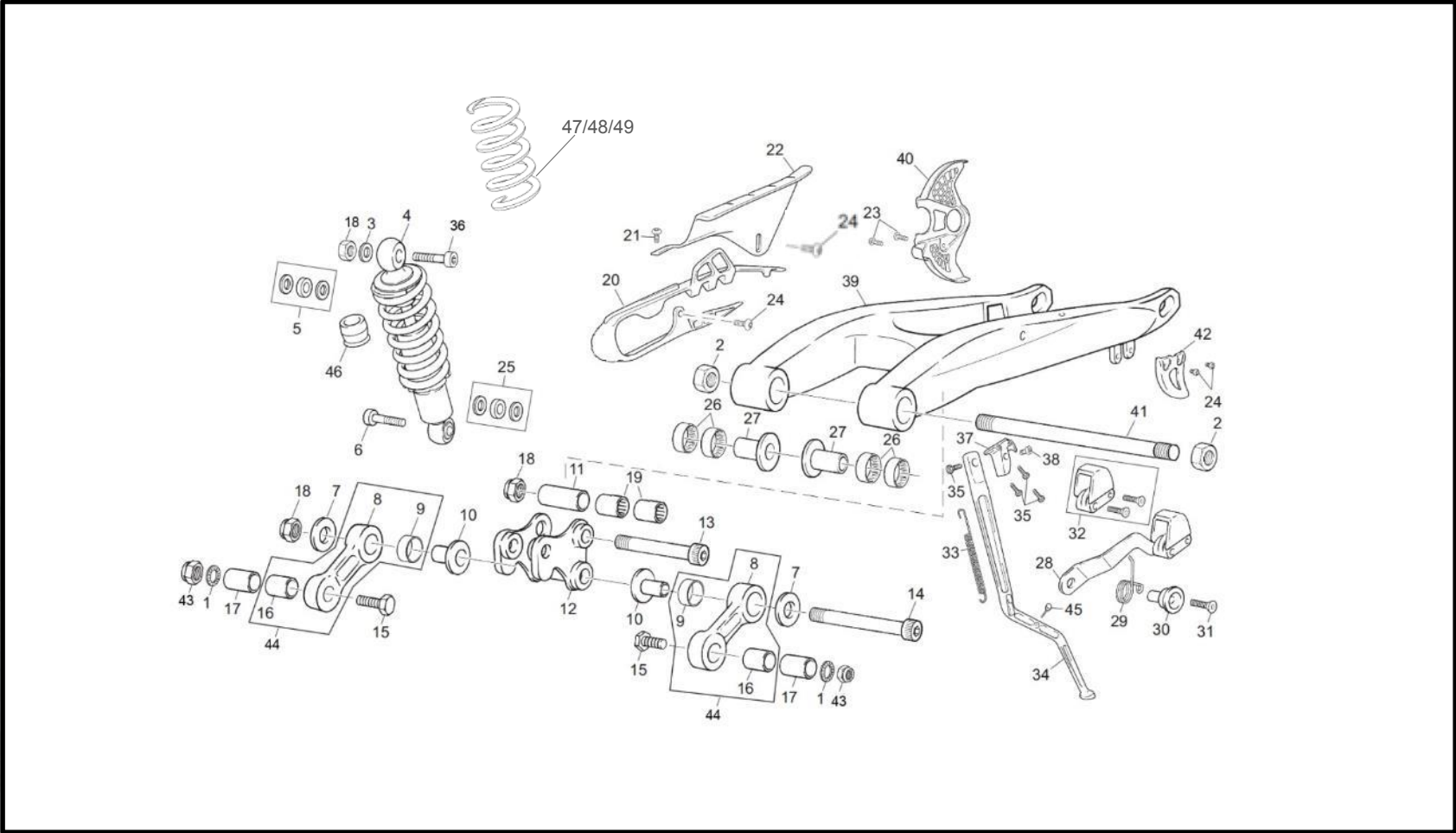
N°	REFERENCE	FRANCAIS	ENGLISH	QUANTITY
1	TL01L-20511-00-00	GUIDON TRIAL	HANDELBAR TRIAL	1
2	TL01J-60405-00-00	POIGNEE CAOUTCHOUC (PAIRE)	GRIPS SET	1
3	TL01J-60305-00-00	MOUSSE GUIDON	HANDELBAR PROTECTION	1
4	0C001-05178-00-N0	COLLIER RYSLAN 178 x 4,8	ZIP TIE 178 x 4,8	1
5	TL01J-20200-00-00	LIGNE FREIN AVANT COMPLETE	FRONT BRAKE ASSY	1
6	TL01J-20211-00-00	LEVIER FREIN AVANT	FRONT BRAKE LEVER	1
7	TL01J-20213-00-00	BUTEE LEVIER	LEVER STOP	1
8	TL01J-20210-00-00	MAITRE CYLINDRE AVANT	FRONT BRAKE MASTER CYLINDER ASSY	1
9	TL01J-20212-00-00	DURITE FREIN AVANT	FRONT BRAKE HOSE	1
10	0V160-10021-00-00	VIS RACCORD BHC M10 x 21	SCREW BHC PRESSURE HOSE	1
11	0V140-10021-00-00	VIS RACCORD TH M10 x 21	SCREW TH PRESSURE HOSE	1
12	0R001-10014-02-00	RONDELLE 10 x 14 x 1,5	WASHER 10 x 14 x 1,5	4
13	TL01J-20202-00-00	PLAQUETTES FREIN AVANT (PAIRE)	PAIR FRONT BRAKE PAD	1
14	TL01J-20216-00-00	VIS PURGE AVEC BOUCHON	BLEEDER CAP ASSY	1
15	TL01J-20203-00-00	CLIP EPINGLE PLAQUETTE	PAD PIN CLIP	1
16	TL01J-20204-00-00	AXE BLOCAGE PLAQUETTE AVANT	FRONT STOP PAD AXLE	1
17	TL01J-20220-00-00	KIT REPARATION MAITRE CYLINDRE AV	FRONT BRAKE PUMP KIT REPAIR	1
18	TL01J-20221-00-00	KIT REPARATION ETRIER AVANT	FRONT CALIPER REPAIR KIT	1
19	TL01J-20217-00-00	ETRIER AVANT	FRONT CALIPER	1
20	TL01J-20205-00-00	KIT PLAQUETTE AVANT COMPLET	FRONT PAD KIT	1
21	TL01K-60604-00-00	RETROVISEUR	MIRROR	1



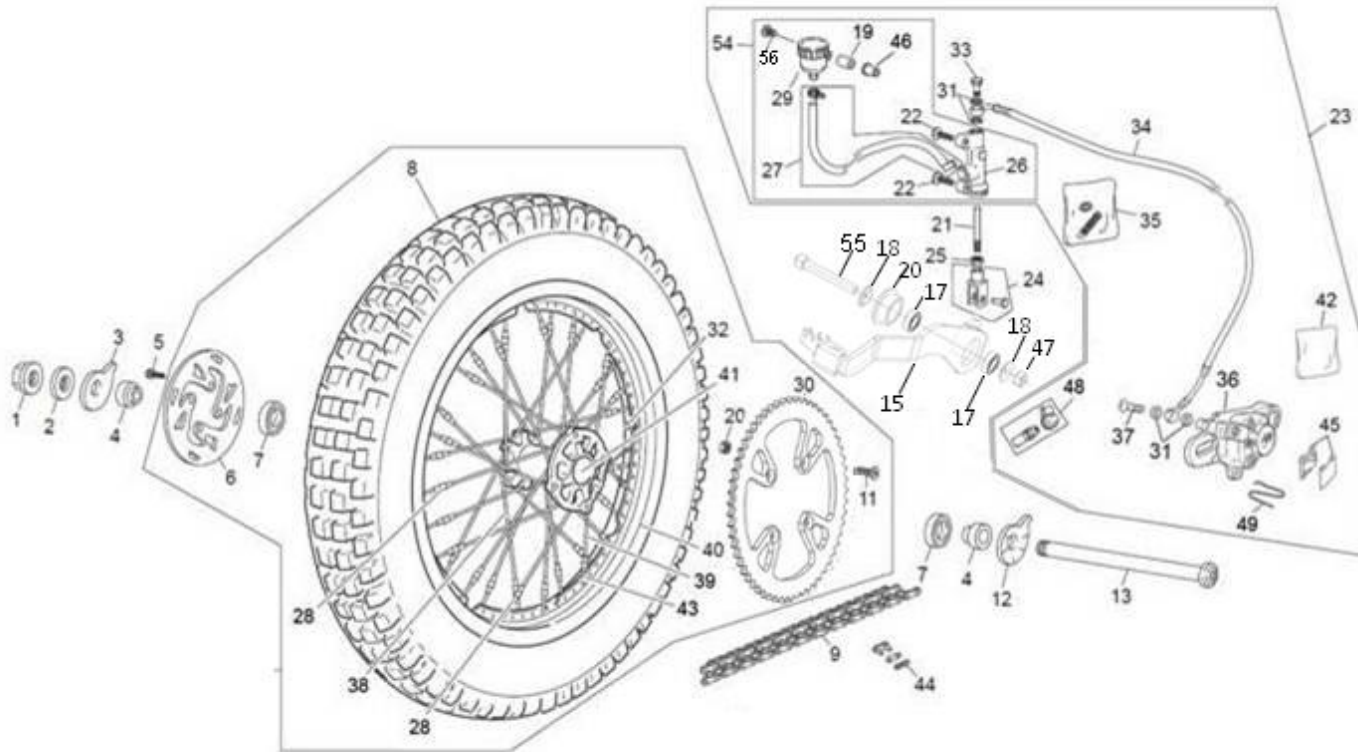
N°	REFERENCE	FRANCAIS	ENGLISH	QUANTITY
1	TL01J-20301-00-00	ROUE AVANT TRIAL	FRONT WHEEL ASSY	1
2	TL01J-20403-00-00	AXE DE ROUE AVANT	FRONT WHEEL AXLE	1
3	TL01L-20311-00-01	JANTE AVANT TRIAL 32 RAYONS	FRONT TRIAL 32 SPOKES RIM	1
4	ORBR1-06004-01-00	ROULEMENT DE MOYEU 6004 2RS	6004 2RS HUB BEARING	2
5	TL01J-20322-00-00	RUBAN FOND DE JANTE	PROTECTEUR RIM RUBBER	1
6	TL01J-20323-00-00	CHAMBRE A AIR 21"	21" TUBE	1
7	TL01L-20312-00-00	PNEU AVANT 2,75X21	2,75 X 21" FRONT TYRE	1
10	TL01J-20313-00-00	ECROU DE RAYON AVANT	FRONT SPOKE NIPPLE	32
11	TL01J-20314-00-00	RAYON NOIR DE ROUE AVANT	BLACK FRONT SPOCKE	32
12	TL01J-20310-00-00	MOYEU AVANT COMPLET	FRONT HUB ASSY	1
13	TL01J-20222-00-00	DISQUE FREIN AVANT TRIAL	FRONT BRAKE DISC TRIAL	1
14	TL01J-20223-00-00	ENTRETOISE DISQUE AVANT	FRONT DISC SPACER	4
15	0V150-06020-00-00	VIS HEXAGONALE EPAULE M6 X 20	SPECIAL EXAGONAL SCREW M 6 X 20	4
16	TL01J-20316-00-00	ENTRETOISE INTERNE MOYEU	FRONT HUB SPACER	1



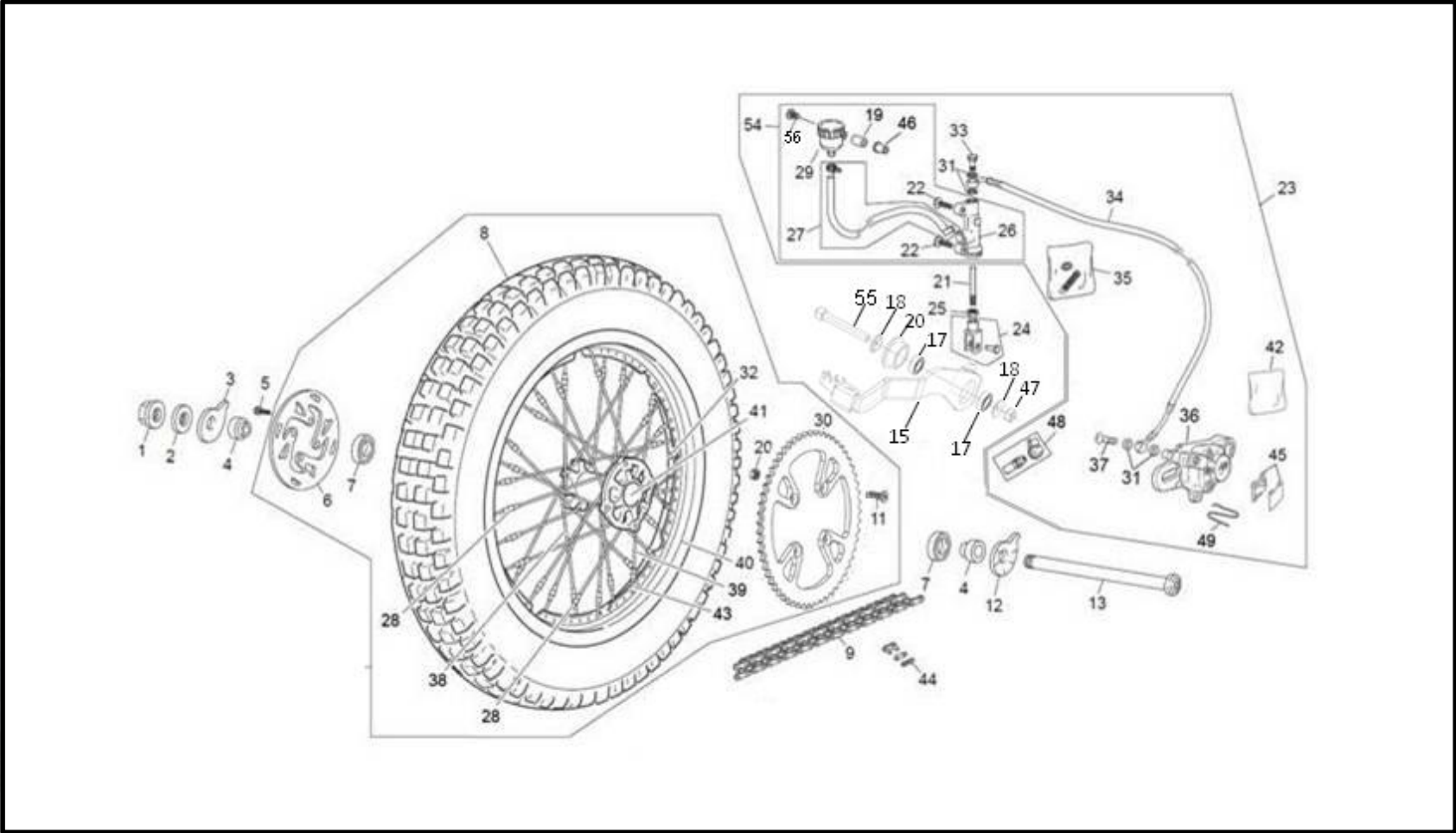
N°	REFERENCE	FRANCAIS	ENGLISH	QUANTITY
1	0R002-08013-02-00	RONDELLE AET 8	WASHER AET 8	2
2	TL01J-30103-00-00	ECROU AXE BRAS OSCILLANT 14	SWINGARM NUT 14	2
3	0R001-10020-02-00	RONDELLE M 10	WASHER M 10	2
4	TL01L-30401-00-00	AMORTISSEUR TRIAL	REAR SHOCK	1
5	TL01J-30411-00-00	KIT ROTULE AMORTISSEUR SUPERIEUR	SUPERIOR BALL AND SOCKET SEAL	1
6	0V010-10042-04-00	VIS 10 X 42	AXLE 10 X 42	1
7	0R001-10030-02-00	RONDELLE M 10 X 30	WASHER 10 X 30	2
8	TL01J-30111-00-00	BIELLETTTE DE SUSPENSION	REAR SUSPENSION LINK	2
9	0DF01-16018-15-00	DOUILLE FRICTION 16X18X15	GLACIER BUSHING 16X18X15	2
10	TL01J-30109-00-00	ENTRETOISE BIELLETTE-BASCULEUR	SPACER SWING ARM	2
11	TL01J-30107-00-00	ENTRETOISE SUSPENSION	SUSPENSION SPACER	2
12	TL01K-30108-00-00	BASCULEUR SUSPENSION	REAR SUSPENSION DELTA LINK	1
13	0V010-10072-04-00	AXE 10 X 72	AXLE 10 x 72	1
14	0V010-10120-04-00	VIS CHC 10 X 120	CHC SCREW 10 X 120	1
15	0V100-08035-00-00	VIS HEXA TETE BASSE	HEXAGONAL SCREW	2
16	0DF01-14016-15-00	DOUILLE FRICTION 14X16X15	GLACIER BUSHING 14X16X15	2
17	TL01J-30113-00-00	ENTRETOISE BIELLETTE-CADRE	FRAME LINK SPACER	2
18	0EC08-10000-00-00	ECROU NYLSTOP M10	NUT NYLSTOP M 10	3
19	TL01J-30106-00-00	DOU. AIGUI. BRAS/SUSP HK16X20X2RS	NEEDLE BEARING 16 X 20 X 2RS	2
20	TL01J-30140-00-00	PATIN DE CHAINE	CHAIN GUIDE	1
21	0V040-05016-00-00	VIS BHC 5 X 16	SCREW BHC 5 X 16	1
22	TL01J-30141-00-00	CARTER DE CHAINE	CHAIN PROTECTOR	1
23	0V040-06010-00-00	VIS BHC 6X10	SCREW BHC 6 X 10	2
24	0V040-05010-00-00	VIS BHC 5X10	SCREW BHC 5 X 10	4
25	TL01J-30412-00-00	KIT ROTULE AMORTISSEUR INFERIEUR	INFERIOR BALL AND SOCKET SEAL	1



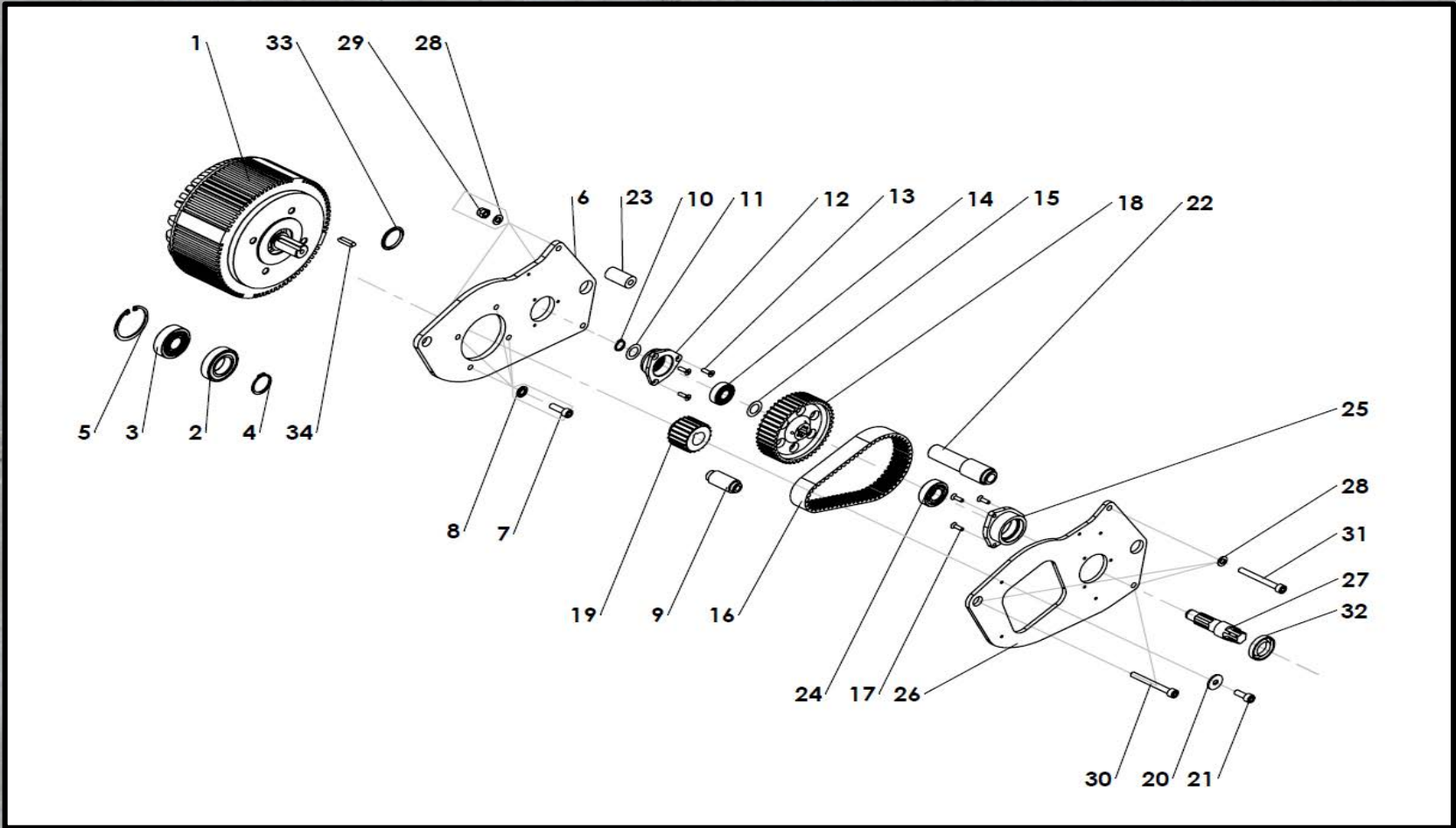
N°	REFERENCE	FRANCAIS	ENGLISH	QUANTITY
26	TL01J-30104-00-00	DOUILLE AIGUILLE BRAS HK20X20X2 RS	NEEDLE BEARING 20 X 20 X 2RS	4
27	TL01J-30105-00-00	ENTRETOISE CADRE-BRAS	SWING ARM SPACER	2
28	TL01J-30130-00-00	TENDEUR DE CHAINE	CHAIN TENSIONER	1
29	TL01J-30132-00-00	RESSORT TENDEUR DE CHAINE	CHAIN TENSIONER SPRING	1
30	TL01J-30131-00-00	ENTRETOISE TENDEUR DE CHAINE	CHAIN TENSIONER SPACER	1
31	0V020-08035-00-00	VIS FHC 8X35	SCREW FHC 8 X 35	1
32	TL01J-30130-02-ASM	CAOUTCHOUC TENDEUR	CHAIN TENSIONER RUBBER	1
33	TL01J-30123-00-00	RESSORT DE BEQUILLE	LATERAL STAND SPRING	1
34	TL01J-30121-00-00	BEQUILLE	LATERAL STAND	1
35	0V040-08012-00-00	VIS BHC 8 X 12	SCREW BHC 8 X 12	4
36	0V010-10050-04-00	VIS 10 X 50	AXLE 10 X 50	1
37	TL01J-30120-00-00	SUPPORT BEQUILLE	STAND HOLDER	1
38	TL01J-30122-00-00	VIS SPECIALE BEQUILLE	SPECIAL STAND SCREW	1
39	TL01J-30101-00-00	BRAS OSCILLANT MAT 07	SWING ARM	1
40	TL01J-30142-00-00	PROTEGE DISQUE ARRIERE	BRAKE DISC PROTECTOR	1
41	TL01J-30102-00-00	AXE BRAS OSCILLANT	SWING ARM AXLE	1
42	TL01J-30143-00-00	PROTEGE COURONNE	SPROKET PROTECTOR	1
43	0EC08-08000-00-00	ECROU NYLSTOP M8	NUT NYLSTOP M 8	2
44	TL01J-30111-01-ASM	BIELLETTTE COMPLETE	REAR SUSPENSION LINK ASSY	2
45	TL01J-30144-00-00	CAOUTCHOUC BEQUILLE	STAND RUBBER	1
46	TL01J-30401-10-ASM	BUTEE CAOUTCHOUC AMORTISSEUR	REAR SHOCK RUBBER	1
47	TL01J-30401-R1-ASM	RESSORT AMORTISSEUR SOUPLE	SOFT REAR SHOCK SPRING	1
48	TL01J-30401-R2-ASM	RESSORT AMORTISSEUR MEDIUM	MEDIUM REAR SHOCK SPRING	1
49	TL01J-30401-R3-ASM	RESSORT AMORTISSEUR DUR	HARD REAR SHOCK SPRING	1



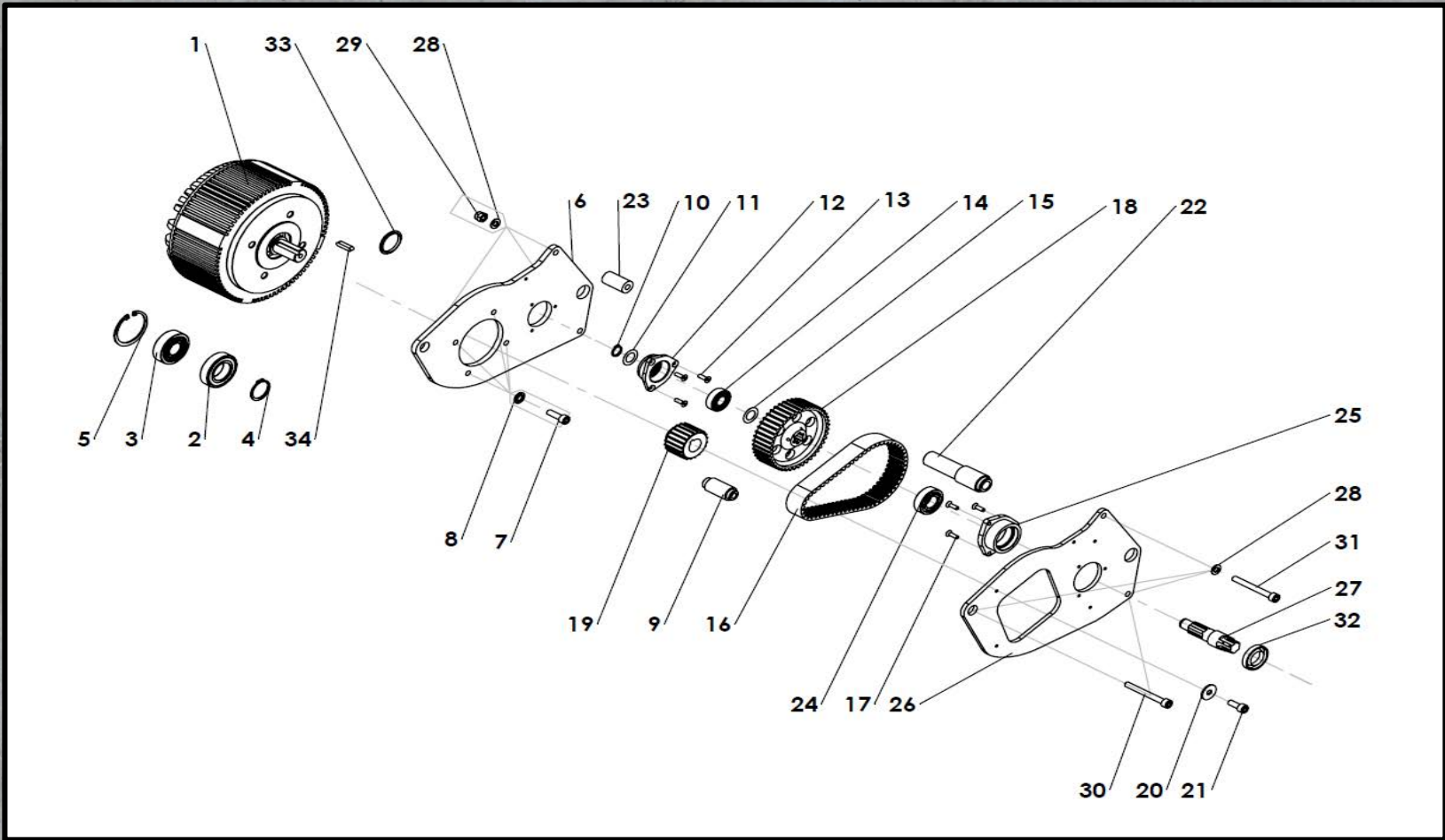
N°	REFERENCE	FRANCAIS	ENGLISH	QUANTITY
1	TL01J-30303-00-00	ECROU ROUE ARRIERE	NUT M 17	1
2	0R001-16030-03-00	RONDELLE M 16	WASHER M 16	1
3	TL01J-30305-00-00	EXCENTRIQUE DROIT	RIGHT CHAIN CAM ADJUSTER	1
4	TL01J-30306-00-00	ENTRETOISE ROUE ARRIERE	REAR WHELL SPACER	2
5	0V150-06020-00-00	VIS TH E 6 X 20	SCREW TH E 6 X 20	4
6	TL01J-30203-00-00	DISQUE FREIN ARRIERE TRIAL	REAR BRAKE TRIAL DISC	1
7	0RBR1-06004-01-00	ROULEMENT DE MOYEU 6004 2RS	6004 2RS HUB BEARING	2
8	TL01L-30312-00-00	PNEU ARRIERE MAXXIS	REAR TRIAL TYRE MAXXIS	1
9	0CHA4-28124-00-00	CHAINE 428	428 CHAIN	1
11	0V020-08025-00-00	VIS FHC 8 X 25	SCREW FHC 8 X 25	4
12	TL01J-30304-00-00	EXCENTRIQUE GAUCHE	LEFT CHAIN CAM ADJUSTER	1
13	TL01J-30302-00-00	AXE ROUE ARRIERE	REAR WHEEL AXLE	1
14	0CP01-0201B-00-00	CIRCLIP D 15	CIRCLIP M 15	1
15	TL01N-30201-00-00	PEDALE FREIN ARRIERE	REAR BRAKE PEDAL	1
16	TL01J-30301-00-00	ROUE ARRIERE TRIAL	REAR TRIAL WHEEL ASSY	1
17	0RBR2-08005-02-00	ROULEMENT 688 2RS	BEARING 688 2RS	2
18	TL01N-30201-01-02	ENTRETOISE PEDALE DE FREIN	BRAKE PEDAL SPACER	2
19	0E05B-10015-00-00	ENTRETOISE BOCAL FREIN	BRAKE TANK SPACER	1
20	0EC08-08000-00-00	ECROU NYLSTOP M8	NUT NYLSTOP M8	4
21	TL01J-30221-00-00	TIGE FREIN ARRIERE	REAR BRAKE ROD	1
22	0V040-06016-00-00	VIS BHC 6 X 16	SCREW BHC 6 X 16	2
23	TL01J-30200-00-00	GROUPE FREIN ARRIERE	REAR BRAKE ASSY	1
24	TL01J-30220-00-00	CHAPE PEDALE FREIN	BRAKE PEDAL CLEVIS	1
25	0EC02-06000-00-00	ECROU STANDARD M6	STANDARD NUT M 6	1



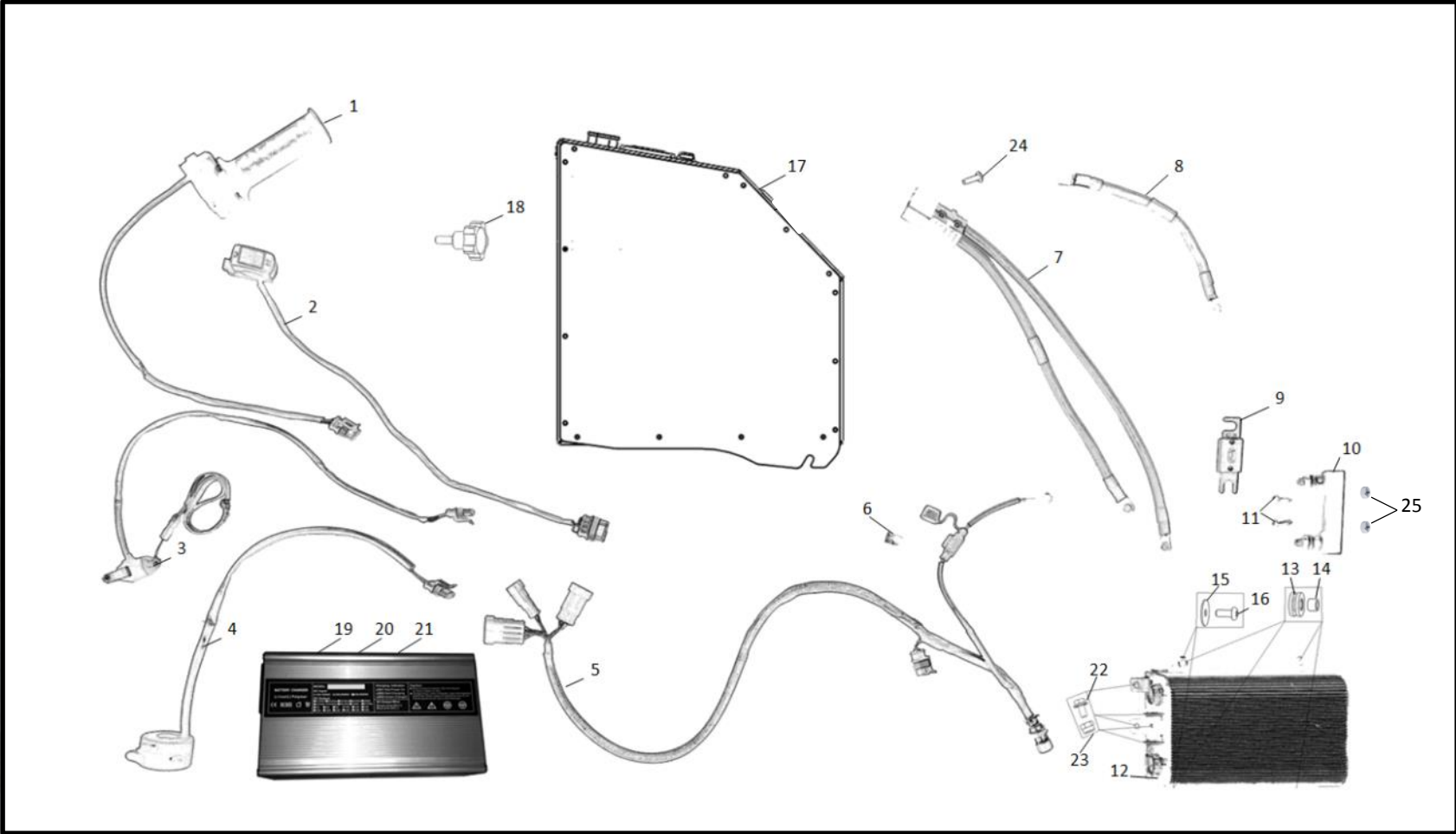
N°	REFERENCE	FRANCAIS	ENGLISH	QUANTITY
26	TL01J-30202-00-00	POMPE FREIN AR	REAR BRAKE PUMP	1
27	TL01J-30210-00-00	TUBE LIQUI. FREIN BOCAL/POMPE	OIL TANK PIPE	1
28	TL01J-30313-00-00	ECROU DE RAYON ARRIERE	REAR SPOKE NIPPLE	32
29	TL01J-30209-00-00	BOCAL LIQUIDE FREIN	OIL BRAKE TANK	1
30	OCR80-00428-57-00	COURONNE 57D 4 TROUS	DRIVEN SPROCKET 57 T	1
31	OR001-10014-02-00	RONDELLE 10 X 14 X 1,5	WASHER 10 X 14 X 1,5	4
32	TL01J-30320-00-00	VALVE TUBELESS	TUBELESS VALVE	1
33	OV160-10021-00-00	VIS RACCORD BHC M10 X 21	SCREW BHC PRESSURE HOSE	1
34	TL01J-30208-00-00	DURITE FREIN ARRIERE	REAR BRAKE HOSE	1
35	TL01J-30212-00-00	KIT REPARATION POMPE FREIN	REAR BRAKE PUMP KIT REPAIR	1
36	TL01J-30204-00-00	ETRIER FREIN ARRIERE	REAR BRAKE CALIPER	1
37	OV140-10021-00-00	VIS RACCORD TH M10 X 21	SCREW TH PRESSURE HOSE	1
38	TL01J-30316-00-00	RAYON NOIR ROUE ARR 32 R DISQUE	REAR WHELL DISC SPOCKE	16
39	TL01J-30315-00-00	RAYON NOIR ROUE ARR 32 R COURONNE	REAR WHELL SPROCKET SPOCKE	16
40	TL01N-30311-00-01	JANTE ARRIERE TRIAL 32 RAYONS	REAR TRIAL 32 SPOKES WHELL	1
41	TL01J-30310-00-00	MOYEU ARRIERE	REAR HUB	1
42	TL01J-30213-00-00	KIT REPARATION ETRIER ARRIERE	REAR CALIPER REPAIR KIT	1
43	TL01J-30314-00-00	RAYON NOIR COURT ARRIERE	REAR WHEEL SHORT SPOKE	32
44	OAT02-42800-00-00	ATTACHE RAPIDE DE CHAINE	CONNECTING LINK	1
45	TL01J-30205-00-00	PLAQUETTES FREIN ARRIERE PAIRE	PAIR REAR BRAKE PAD	1
46	0ECWE-05015-00-00	ECROU WELNUT M 5	RUBBER WELNUT M 5	1
47	OR001-08025-02-00	RONDELLE M8 X 25	WASHER M8 X 25	1
48	TL01J-30207-00-00	VIS PURGE AVEC BOUCHON ARR	REAR BLEEDER CAP ASSY	1
49	TL01J-30206-00-00	AXE EPINGLE PLAQUETTE	PAD PIN CLIP	1
50	TL01J-30214-00-00	KIT PLAQUETTES ARRIERE COMPLET	REAR PAD KIT	1
54	TL01J-30215-00-00	KIT POMPE / BOCAL FREIN ARR	REAR BRAKE PUMP / TANK KIT	1
55	OV010-0845-01-00	VIS CHC TETE BASSE M8 X 45	LOW-PROFILE CHC SCREW M8 X 45	1
56	OV04-05025-00-01	VIS CHC M5 X 25	SCREW CHC M5 X 25	1



N°	REFERENCE	FRANCAIS	ENGLISH	QUANTITY
1	TL01M-40100-00-00	MOTEUR COMPLET	MOTOR ASSY	1
2	0RBR1-06006-01-00	ROULEMENT 6006	BEARING 6006	1
3	0RBR1-06304-01-00	ROULEMENT 6304	BEARING 6304	1
4	OCP01-0301E-00-00	CIRCLIP ARBRE 30	SHAFT CIRCLIP 30	1
5	OCP02-05602-00-00	CIRCLIP ALESAGE 56	BORE CIRCLIP 56	1
6	TL01K-50102-00-00	PLATINE MOTEUR DROITE	RIGTH ENGINE PLATE	1
7	0V010-08025-00-00	VIS CHC M 8 X 25	SCREW CHC M 8 X 25	5
8	0R012-08018-00-00	RONDELLE M 8 CONTACT	SPECIAL WASHER M 8	4
9	TL01K-50104-00-00	ENTRETOISE PLATINE AVANT	FRONT PLATE SPACER	1
10	OCP01-01501-00-00	CIRCLIP ARBRE 15	SHAFT CIRCLIP 15	1
11	0R011-15021-0C-00	RONDELLE CALAGE 15	CALIBRATION WASHER 15	2
12	TL01J-50107-00-00	COQUILLE ROULEMENT DROITE	RIGHT ROLL BOX BEARING	1
13	0V020-05016-00-00	VIS FHC M 5 X 16	SCREW FHC 5 X 16	3
14	0RBR1-06202-01-00	ROULEMENT 6202	BEARING 6202	1
15	0R001-15028-2E-00	RONDELLE 15	WASHER 15	1
16	0CR01-000M8-60-27	COURROIE	TRANSMISSION BELT	1
17	0V020-05016-00-00	VIS FHC M 5 X 16	SCREW FHC 5 X 16	3
18	0PL10-08044-16-30	POULIE MENE 44 DENTS	DRIVEN PULLEY 44 T	1
19	0PL12-08020-22-30	POULIE MENANTE 20 DENTS	DRIVING PULLEY 20 T	1
20	0R001-8D025-02-00	RONDELLE M 8 X 25	WASHER M 8 X 25	1
21	0V010-08020-00-00	VIS CHC M 8 X 20	SCREW CHC M 8 X 20	1
22	TL01K-50103-00-00	ENTRETOISE PLATINE BRAS	SWING ARM PLATE SPACER	1
23	TL01K-50105-00-00	ENTRETOISE PLATINE ARRIERE	REAR PLATE SPACER	1
24	0RBR1-06004-01-00	ROULEMENT 6004	BEARING 6004	1
25	TL01K-50106-00-00	COQUILLE ROULEMENT GAUCHE	LEFT ROLL BOX BEARING	1



N°	REFERENCE	FRANCAIS	ENGLISH	QUANTITY
26	TL01K-50101-00-01	PLATINE MOTEUR GAUCHE	LEFT ENGINE PLATE	1
27	TL01J-50110-00-00	ARBRE PRIMAIRE	PRIMARY SHAFT	1
28	0R001-08018-02-00	RONDELLE M 8	WASHER M 8	6
29	0EC08-08000-00-00	ECROU NYLSTOP M 8	NUT NYLSTOP M 8	3
30	0V010-08070-00-00	VIS CHC M 8 X 70	SCREW CHC M 8 X 70	2
31	0V010-08080-00-00	VIS CHC M 8 X 80	SCREW CHC M 8 X 80	1
32	0SP24-04007-00-00	JOINT A LEVRE	SEAL OIL	1
33	TL01K-50110-00-00	BOUCHON	CAP	1
34	0CLB0-60635-00-00	CLAVETTE 6X6X35	WOODURF	1



N°	REFERENCE	FRANCAIS	ENGLISH	QUANTITY
1	TL01J-60401-00-00-ASM	POIGNEE ACCELERATEUR	THROTTLE HANDLE	1
2	TL01J-60407-00-00	COMMUTATEUR MAP	MAP COMMUTATOR	1
3	TL01J-60101-00-00	AIMANT ARRET URGENCE	MAGNET EMERGENCY STOP	1
4	TL01J-60406-00-00	COMMUTATEUR GENERAL	MAIN COMMUTATOR	1
5	TL01J-50404-00-00	FAISCEAU PRINCIPAL	MAIN HARNESS	1
6	FUS02-00002-00-00	FUSIBLE 2A	2A FUSE	1
7	TL01J-50212-00-00	CABLE DECHARGE MOTO	MOTORCYCLE DISCHAGE CABLE	1
8	TL01J-50213-00-00	CABLE FUSIBLE CONTROLEUR	FUSE CONTROLLER CABLE	1
9	FUS01-00200-01-00	FUSIBLE PRINCIPAL 300A	300A MAIN FUSE	1
10	TL01H-50208-00-00	PORTE FUSIBLE PRINCIPAL	MAIN FUSE HOLDER	1
11	0V110-05016-00-00	VIS 4,8 X 16	SCREW	1
12	TL01H-50301-00-00	CONTROLEUR	CONTROLLER	1
13	0SL01-11018-07-00	SILENTBLOCK	SILENTBLOCK	4
14	0E06E-09006-00-00	ENTRETOISE	SPACER	4
15	0R001-05015-01-00	RONDELLE M 5	WASHER M 5	2
16	0V040-05016-00-00	VIS BHC 5 X 16	SCREW BHC 5 X 16	2
17	TL01K-50200-25-00	PACK BATTERIE 25Ah	BATTERY PACK 25Ah	1
18	0BM01-06016-31-NO	MOLETTE M 6 X 16	SPECIAL SCREW M6 X 16	3
19	CHG01-48006-02-01	CHARGEUR 6A + ADAPTATEUR	6A CHARGER OPTIONAL + ADAPTEUR	1
20	CHG01-48010-02-01	CHARGEUR 10A SERIE + ADAPTATEUR	10A CHARGER SERIE + ADAPTEUR	1
21	CHG01-48015-02-01	CHARGEUR 15A + ADAPTATEUR	15A CHARGER OPTIONAL + ADAPTEUR	1
22	0V150-06012-00-00	VIS THE M 6 X 12	SCREW TH E M 6 X 12	5
23	0EC08-06000-00-00	ECROU NYLSTOP M 6	NUT NYLSTOP M 6	5
24	0V040-05020-00-00	VIS BHC 5 X 20	SCREW BHC 5 X 20	1
25	0EC02-08000-00-00	ECROU M8	M8 NUT	

25

TYPE E

France - Belgique - Pologne - Slovaquie Rép. Tchèque

Tunisie & Maroc

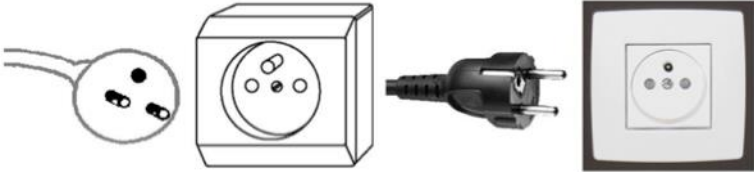


Diagram illustrating the Type E electrical plug and socket components. It shows a circular plug with two pins and a grounding pin, a square wall outlet with three circular holes, a Type E plug with two pins and a grounding pin, and a square wall outlet with three circular holes.

26

TYPE G

UNITED KINGDOM




Diagram illustrating the Type G electrical plug and socket components. It shows a three-pin plug, a square wall outlet with three rectangular holes, a three-pin plug, and a square wall outlet with three rectangular holes.

27

TYPE J

SUISSE




Diagram illustrating the Type J electrical plug and socket components. It shows a three-pin plug, a hexagonal wall outlet with three circular holes, a three-pin plug, and a hexagonal wall outlet with three circular holes.

28

TYPE B

USA – Canada – Japan

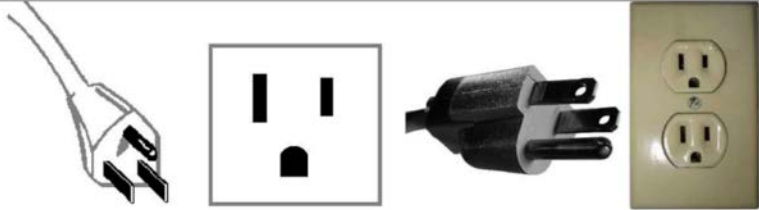
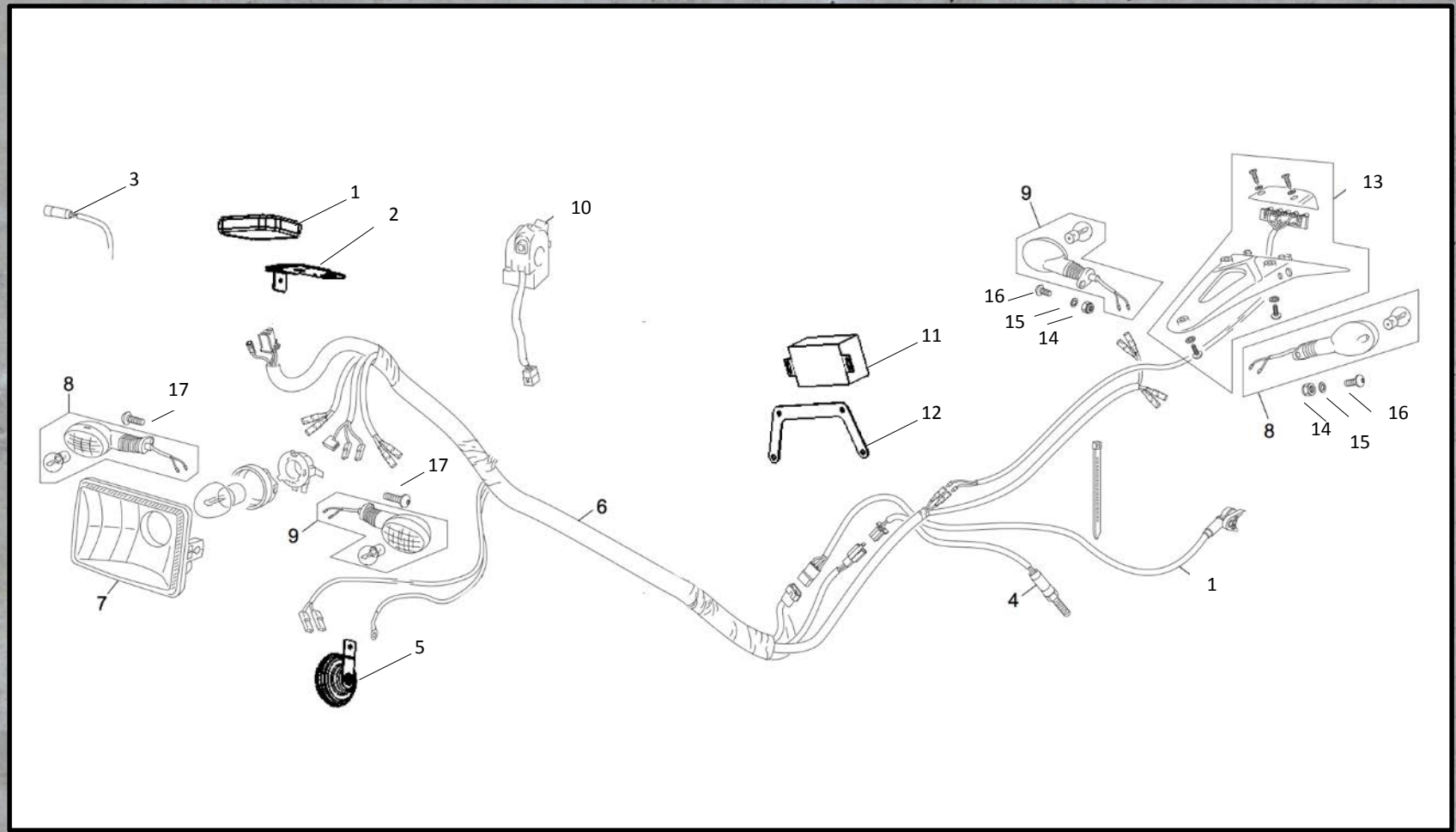
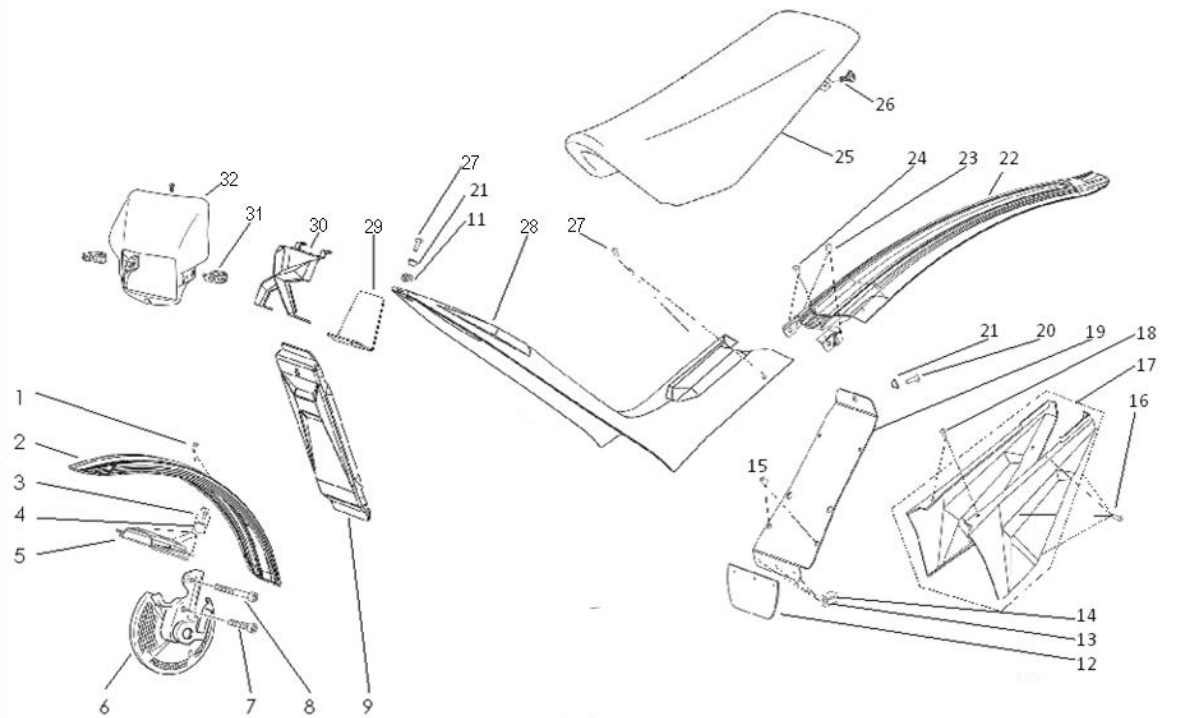


Diagram illustrating the Type B electrical plug and socket components. It shows a two-prong plug, a rectangular wall outlet with two vertical slots and a grounding hole, a two-prong plug, and a rectangular wall outlet with two vertical slots and a grounding hole.

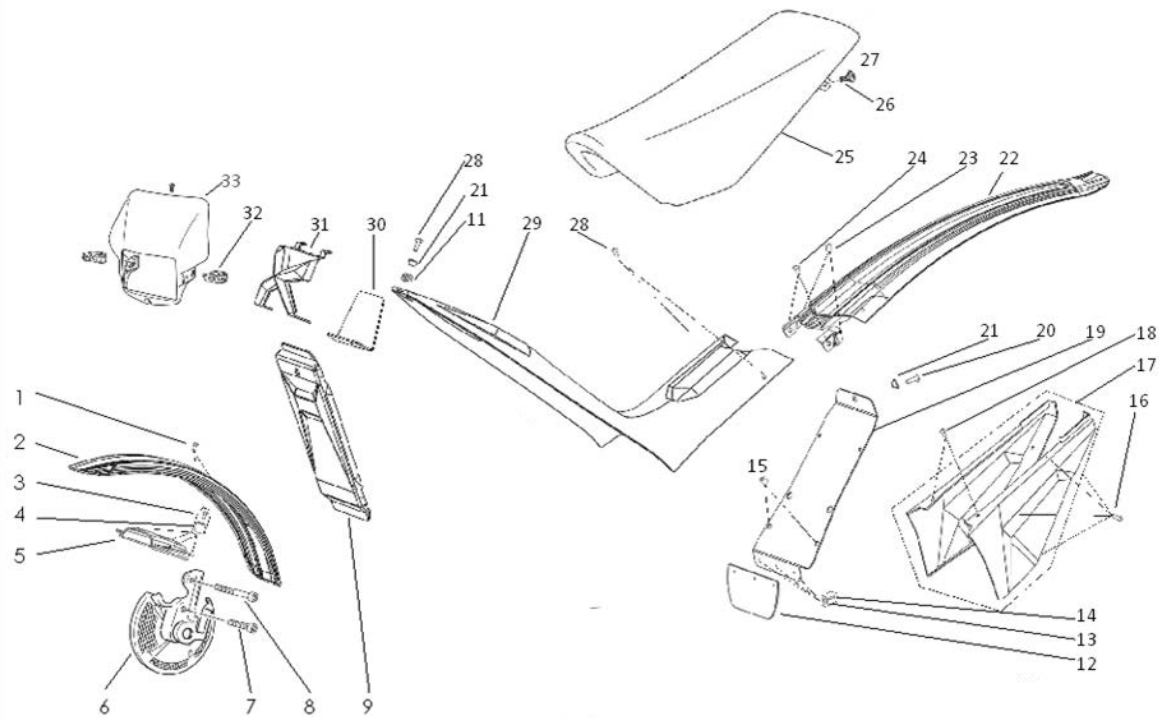
N°	REFERENCE	FRANCAIS	ENGLISH	QUANTITY
25	CAB01-05012-00-00	CABLE CHARGEUR 10&15A - France	CHARGER PLUG 10&15A - France	1
26	CAB01-07012-00-00	CABLE CHARGEUR 10&15A - Royaume-Uni	CHARGER PLUG 10&15A - United Kingdom	1
27	CAB01-10012-00-00	CABLE CHARGEUR 10&15A - Suisse	CHARGER PLUG 10&15A - Switzerland	1
28	CAB01-02012-00-00	CABLE CHARGEUR 10&15A - USA-Canada	CHARGER PLUG 10&15A - USA-Canada	1



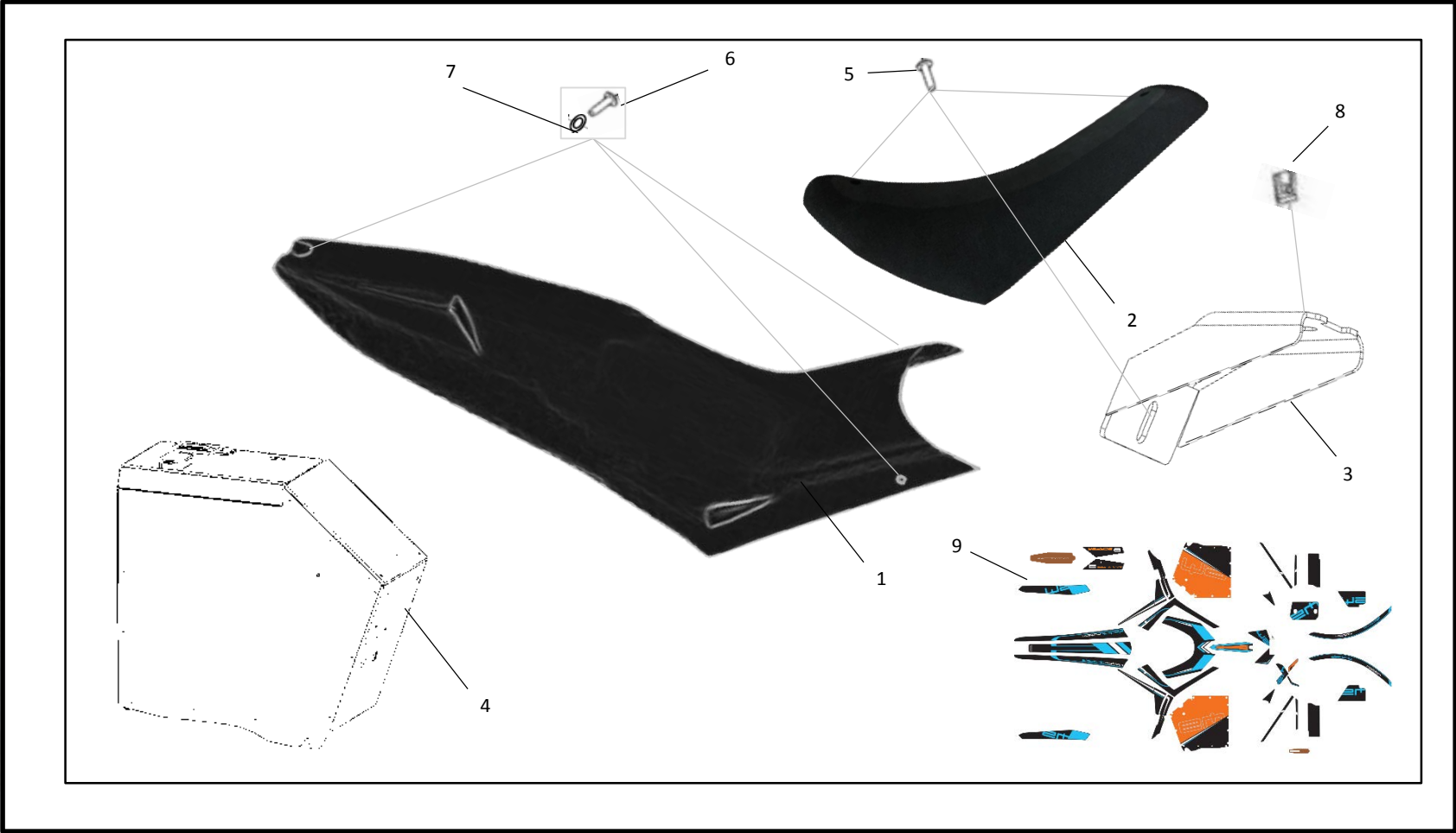
N°	REFERENCE	FRANCAIS	ENGLISH	QUANTITY
1	TL01K-60610-00-00	COMPTEUR / CAPTEUR DE VITESSE	SPEEDOMETER / SPEED SENSOR	1
2	TL01K-60502-00-00	SUPPORT COMPTEUR	SPEEDOMETER SUPPORT	1
3	TL01K-60613-00-00	CAPTEUR DE FREIN AVANT	FRONT BRAKE SENSOR	1
4	TL01K-60614-00-00	CAPTEUR DE FREIN ARRIERE	REAR BRAKE SENSOR	1
5	TL01K-60603-00-00	KLAXON	HORN	1
6	TL01K-50403-00-00	FAISCEAU ECLAIRAGE & SUPPORT AMPOULE VEILLEUSE	ELECTRICAL WIRING	1
7	TL01K-60602-00-00	OPTIQUE HOMOLOGUEE CE	HOMOLOGATED HEADLIGHT	1
8	TL01K-60607-00-00	CLIGNOTEUR AVD/ARG	TURN LIGHT FRONT/RIGHT AND REAR/LEFT	2
9	TL01K-60606-00-00	CLIGNOTEUR AVG/ARD	TURN LIGHT FRONT/LEFT AND REAR/RIGHT	2
10	TL01K-60407-00-00	COMMODO (ALLUMAGE ECLAIRAGE CLIGNOTANTS)	LEFT CERTIFIED COMMUTATOR	1
11	TL01K-60601-00-00	CONVERTISSEUR 48 – 12V	CONVERTER 48 – 12 V	1
12	TL01K-60504-00-00	SUPPORT CONVERTISSEUR	CONVERTER SUPPORT	1
13	TL01K-60608-00-00	BAVETTE FEU ARRIERE	REAR FLAP	1
14	0EC08-05000-00-00	ECROU NYLSTOP M 5	NUT NYLSTOP M 5	2
15	0R001-05015-01-00	RONDELLE M5 LARGE	M5 LARGE WASHER	2
16	0V040-05016-00-00	VIS BHC 5 X 16	SCREW BHC 5 X 16	2
17	0V040-06020-00-00	VIS BHC M6 X 20	SCREW BHC M6 X 20	2



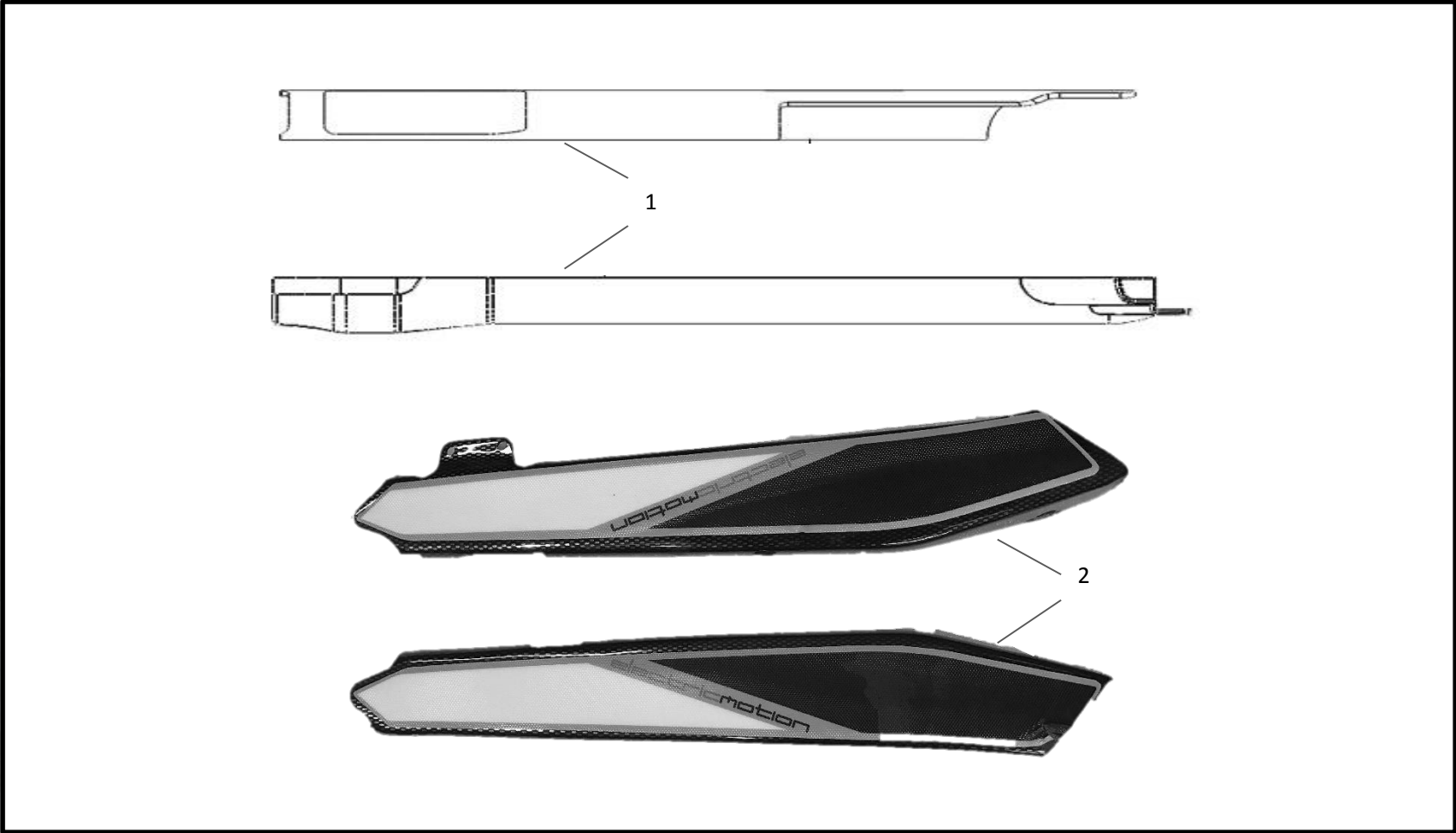
N°	REFERENCE	FRANCAIS	ENGLISH	QUANTITY
1	0V040-05012-00-01	VIS ALU BHC M5 X 12	ALUMINIUM BHC SCREW 5 X 12	2
2	TL01J-70103-00-00	GARDE BOUE AVANT	FRONT BLACK MUDGUARD	1
3	0V040-06016-00-00	VIS BHC M6 X 16	SCREW BHC M6 X 16	4
4	0E06C-15010-00-00	ENTRETOISE BLANCHE 6,3x15x10	SPACER 6,3x15x10	4
5	TL01K-20140-00-00	PONTET GARDE-BOUE AVANT	MUDGUARD HOLDER	1
6	TL01J-70105-00-00	PROTEGE DISQUE AVANT NOIR	FRONT BLACK DISC PROTECTOR	1
7	0V010-08035-00-00	VIS CHC M8 X 35	SCREW CHC 8 X 35	1
8	0V010-08060-00-00	VIS CHC M8 X 60	SCREW CHC 8 X 60	1
9	TL01J-70203-00-00	PROTEGE BATTERIE AVANT	FRONT BATTERY PROTECTOR	1
12	TL01J-60311-00-00	PROTEGE POMPE FREIN ARRIERE	REAR PUMP PLASTIC PROTECTOR	1
12	TL01J-60302-00-00	BAVETTE AMORTISSEUR	REAR SHOCK RUBBER PROTECTOR	1
13	0R001-03009-0H-00	RONDELLE M3 LARGE	WASHER M 3	3
14	0RV01-03008-00-N0	RIVET M3 NOIR	BLACK RIVET M 3	3
15	0E06B-10010-00-00	ENTRETOISE PLASTIQUE NOIRE	BLACK PLASTIC SPACER	2
16	0V040-05025-00-01	VIS ALU BHC M5 X 25	ALUMINIUM BHC SCREW 5 X 25	4
17	TL01H-70301-00-00	CACHE ARRIERE PAIRE	REAR COVER SET	1
18	0V040-05016-00-00	VIS BHC M5 X 16	SCREW BHC M5 X 16	2
19	TL01J-60301-00-00	PASSAGE DE ROUE	UNDERTRAY	1
20	0V100-06025-00-00	VIS BHCE M6 X 25	SCREW BHCE 6 X 25	1
21	0E006-09006-14-00	ENTRETOISE EPAULE	SPECIAL SPACER	4
22	TL01J-70302-00-01	GARDE BOUE ARRIERE NOIR	BLACK REAR MUDGUARD	1
23	0ECWE-05015-00-00	ECROU WELNUT M 5	RUBBER WELNUT M 5	2
24	0V100-06016-00-00	VIS BHCE M6 X 16	SCREW BHCE 6 X 16	2



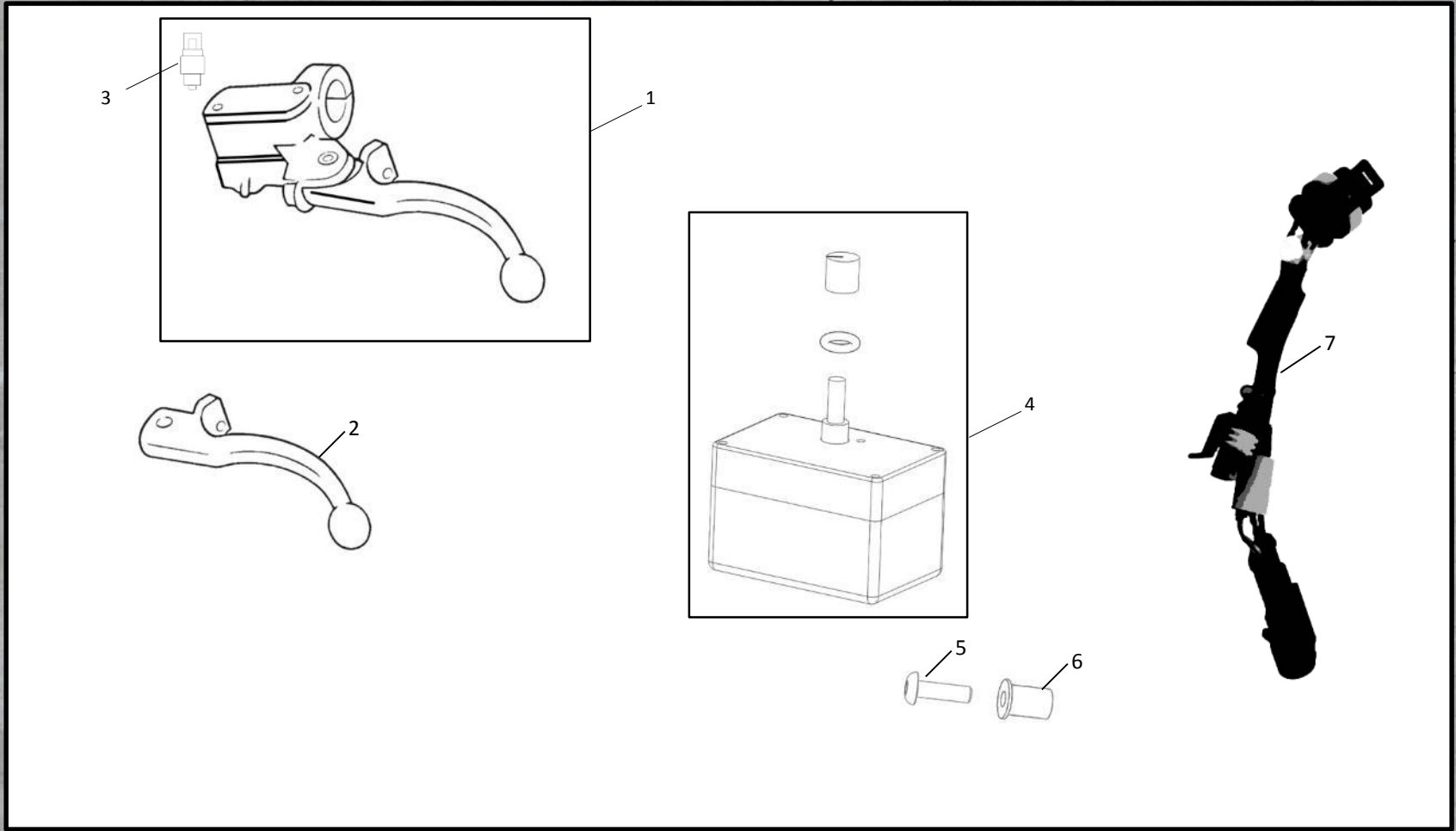
N°	REFERENCE	Français	ENGLISH	QUANTITY
25	TL01K-60620-00-01	SELLE EM	EM SEAT	1
26	0V100-05020-00-00	VIS BHCE M5 X 20	SCREW BHCE M5 X 20	2
27	0V100-05025-00-00	VIS ALU BHC M5 X 25	ALUMINIUM BHC SCREW M5 X 25	3
28	TL01J-70201-00-00	CAPOT	COVER	1
29	TL01M-60511-00-00	PLAQUE CACHE FAISCEAU	WIRING MASK PLATE	1
30	TL01K-70104-01-00	PLAQUE AVANT EM	RACING FRONT HEAD EM	1
31	TL01K-70106-00-00	CAOUTCHOUC PLAQUE PHARE	RUBBER FRONT LIGHT	2
32	TL01K-70102-00-00	PLAQUE PHARE HOMOLOGUEE	HOMOLOGATED PLATE HEADLIGHT	1



N°	REFERENCE	FRANCAIS	ENGLISH	QUANTITY
1	TL01E-70201-00-00	CAPOT ESCAPE	ESCAPE COVER	1
2	TL01E-60620-00-01	SELLE ESCAPE	ESCAPE SEAT	1
3	TL01E-60620-00-00	RENFORT SELLE ESCAPE	ESCAPE SEAT	
4	TL01E-50205-00-00	BATTERIE 13S 40Ah	13S 40Ah BATTERY	1
5	0V040-06016-02-00	VIS BHCE 6X16 ZI	SCREW BHCE 6X16	3
6	0V040-05025-00-01	VIS ALU BHC M5X25	BHC ALUMINIUM SCREW 5 X 25	3
7	0R008-05010-01-00	RONDELLE PLASTIQUE	PLASTIC WASHER	3
8	0CE06-16024-09-ZI	ECROU CLIP M 6	FAST NUT M 6	1
9	TL01N-80601-00-00	AUTOCOLLANTS ESCAPE	ESCAPE STICKER	1



N°	REFERENCE	FRANCAIS	ENGLISH	QUANTITY
1	TL01K-60320-00-00	PROTECTIONS FOURCHE TECH	CARBON FIBRE LOOK TECH FORK GUARDS	2
2	TL01K-60330-00-00	PROTECTIONS BRAS OSCILLANT	CARBON FIBRE LOOK SWING ARM GUARDS	2

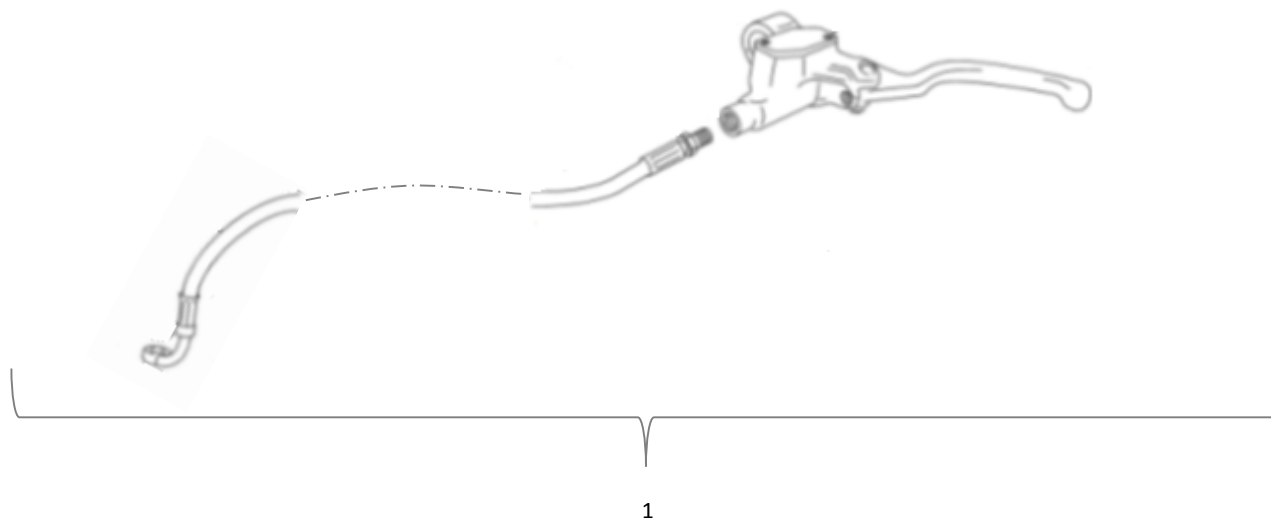


N°	REFERENCE	FRANCAIS	ENGLISH	QUANTITY
1	TL01K-60403-01-00-ASM	ELS COMPLET	ELS ASSEMBLY	1
2	TL01M-60403-00-00	LEVIER ELS ANODISE	ELS LEVER ANODIZED	1
3	TL01K-60403-ASM-03	SWITCH ELS	ELS SWITCH	1
4	TL01K-50311-00-00	BOITIER MAP	MAP BOX	1
5	0V040-05016-00-00	VIS BHC 5 X 16	SCREW BHC 5 X 16	1
6	0ECWE-05015-00-00	ECROU WELNUT M 5	RUBBER WELNUT M 5	1
7	TL01L-50314-00-00	FAISCEAU MAP TRIAL1 / TRIAL 2 (SPORT)	MAP HARNESS TRIAL 1 / TRIAL 2 (SPORT)	1



1

N°	REFERENCE	FRANCAIS	ENGLISH	QUANTITY
1	TL01M-70201-00-00	KIT LED SPORT NON HOMOLOGUE	LED LIGHT SPORT NON HOMOLOGATED	1



N°	REFERENCE	FRANCAIS	ENGLISH	QUANTITY
1	TL01M-30200-00-02	KIT FREIN ARRIERE GUIDON	HANDLEBAR REAR BRAKE KIT	1

N°	REFERENCE	FRANCAIS	ENGLISH	QUANTITY
1	TL01N-80101-00-00	KIT STICKERS	STICKERS SET	1



electricmotion

ELECTRIC MOTION
40 Rue des Gardians
ZAC via Domitia
34160 CASTRIES (FRANCE)

MOTUL



www.electric-motion.fr
+(33) 04 67 41 10 90
+(33) 06 51 05 51 69
info@electric-motion.fr