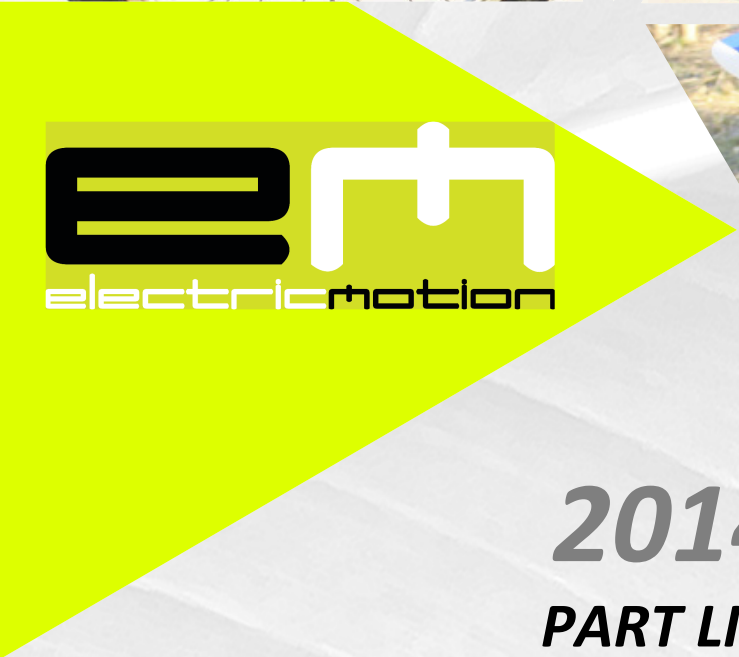




ern 5.7



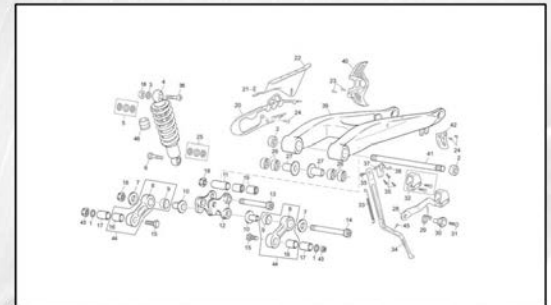
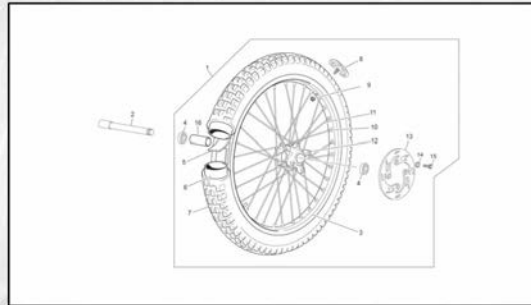
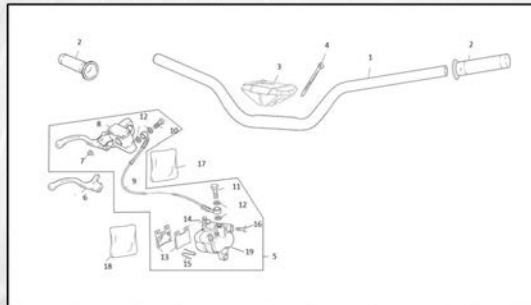
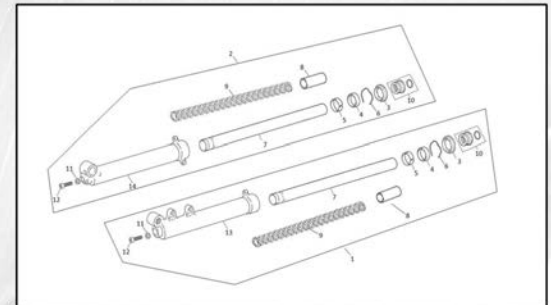
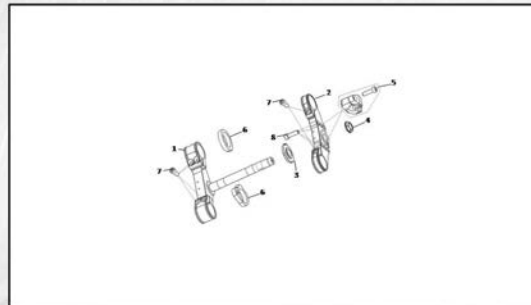
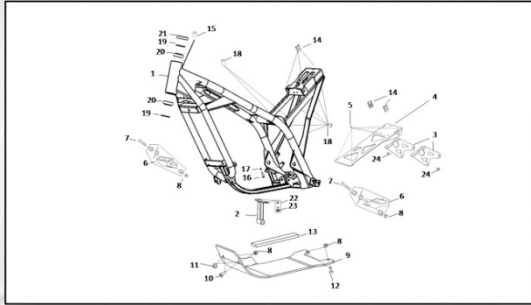
**2014  
PART LIST**

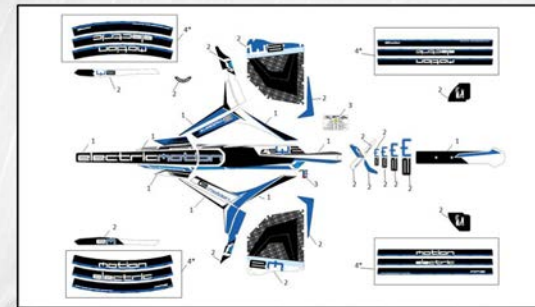
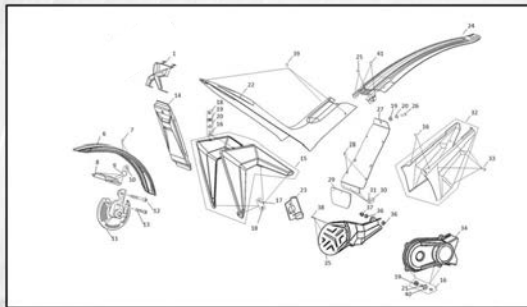
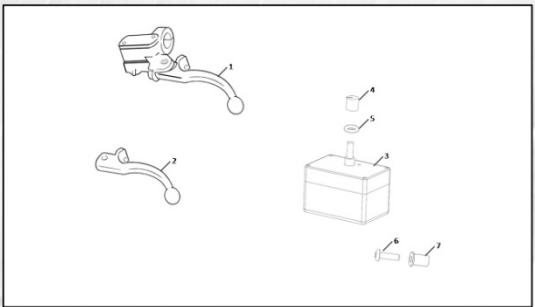
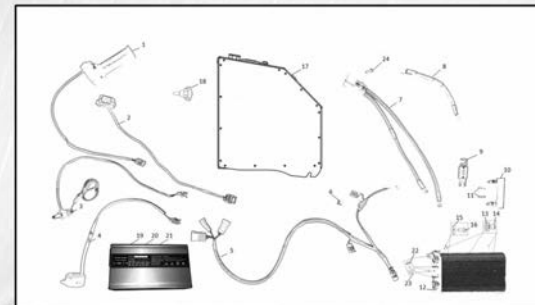
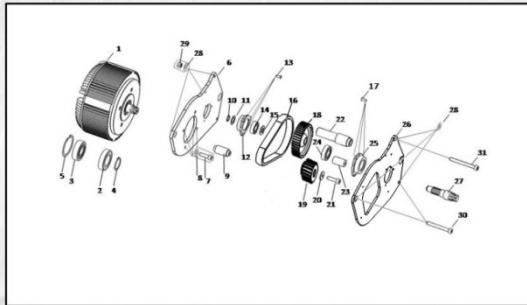
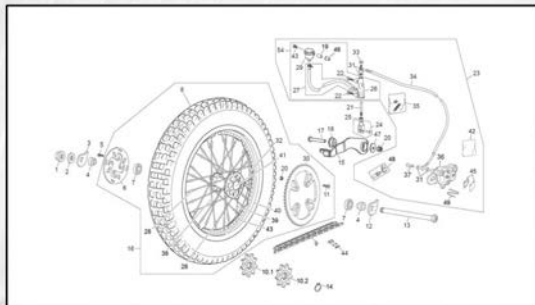
ELECTRIC MOTION  
40 rue des Gardians  
34160 CASTRIES  
+33 467 411 090  
+33 651 055 169  
[www.electric-motion.fr](http://www.electric-motion.fr)  
[emotion.infotech@gmail.com](mailto:emotion.infotech@gmail.com)

Les informations de ce document ne sont pas contractuelles et peuvent être modifiées sans préavis.

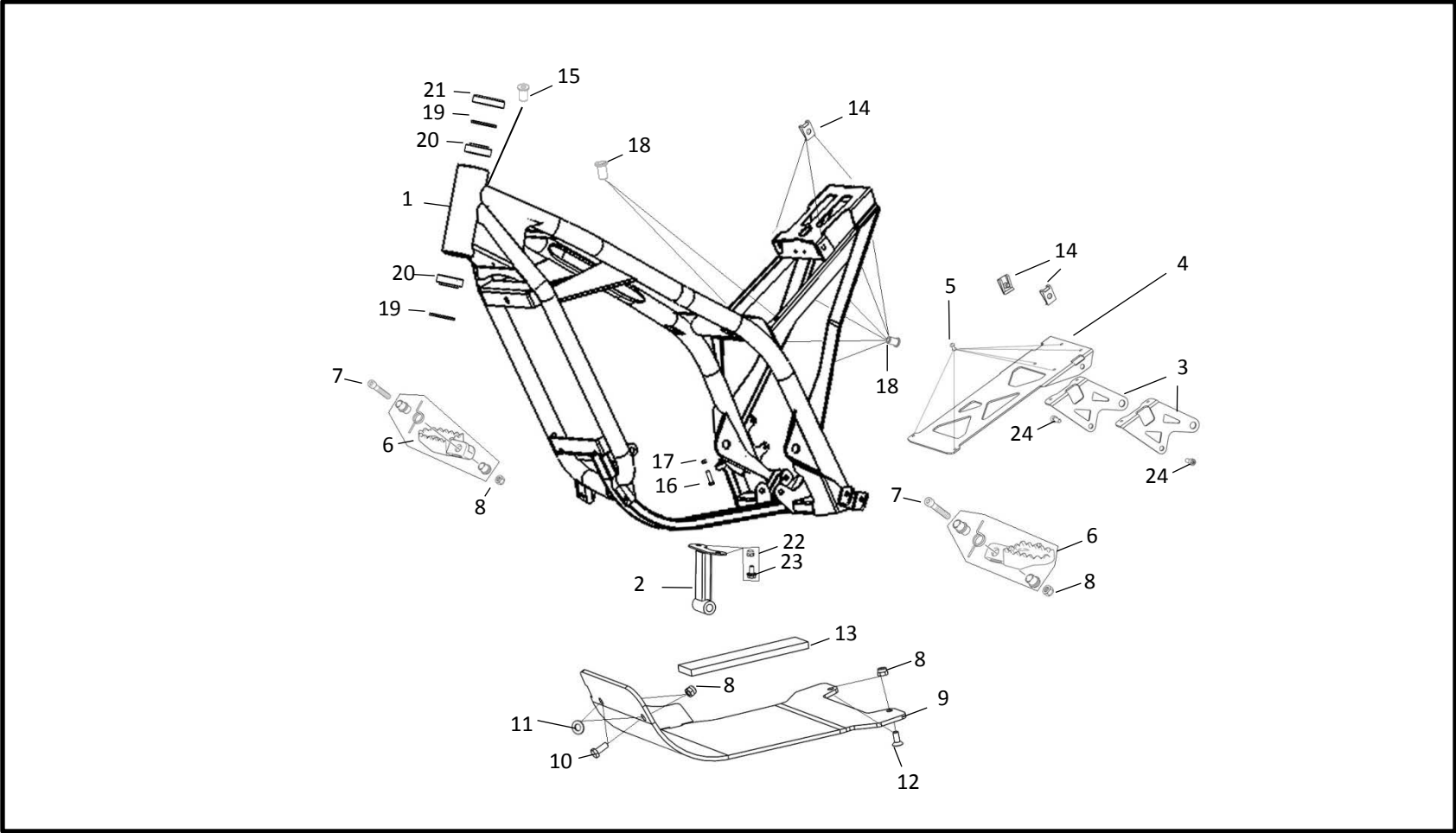
The datas of this document are not contractual and can be modified without notice.



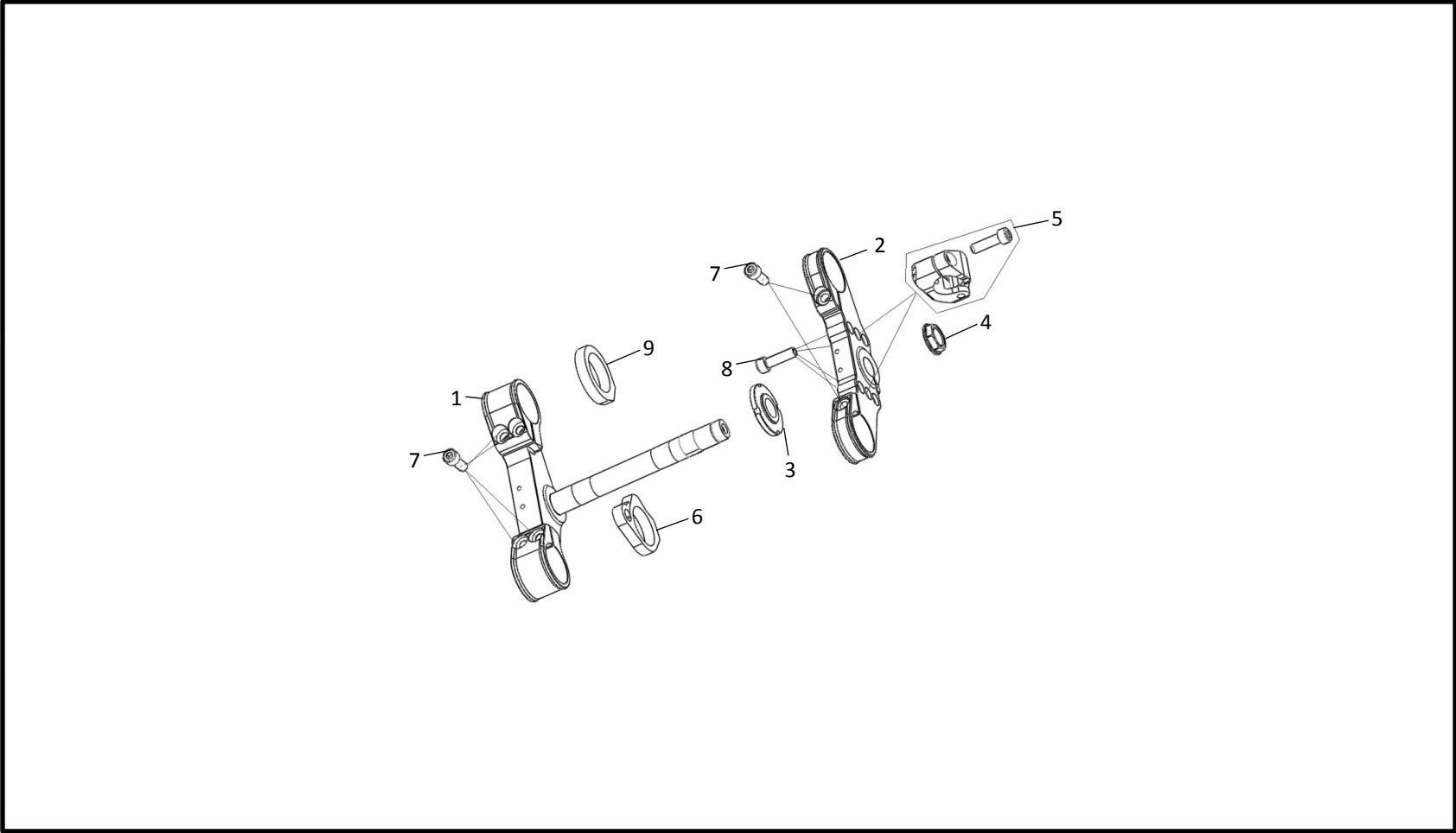




# CADRE / FRAME

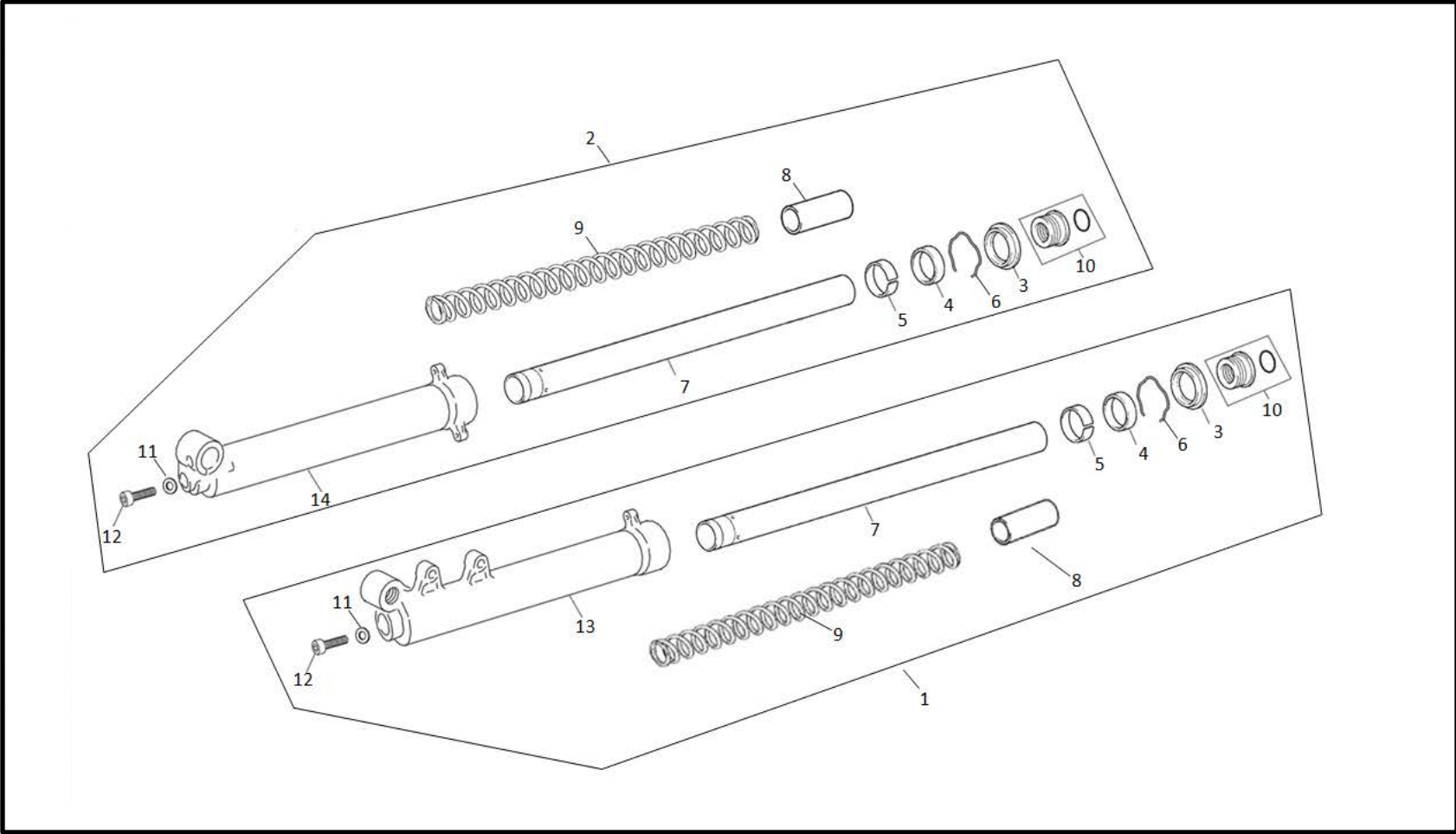


N°	REFERENCE	FRANCAIS	ENGLISH	QUANTITY
1	TL01K-10101-00-00	CADRE	FRAME	1
2	TL01K-10201-00-00	SUPPORT TRANSMISSION	BRACE TRANSMISSION	1
3	TL01J-10205-00-00	SUPPORT PACK BATTERIE	SUPPORT BATTERY PACK	2
4	TL01J-10203-00-00	PLATINE PACK BATTERIE	BATTERY PACK PLATE	1
5	ORV01-04008-10-00	RIVET 4 X 10	RIVET 4 X 10	6
6	TL01J-10105-00-00	PAIRE DE REPOSE PIED COMPLET	SET FOOTREST	1
7	0V010-08045-00-00	VIS CHC 8 X 45	SCREW CHC 8 X 45	2
8	0EC08-08000-00-00	ECROU NYLSTOP M8	NUT NYLSTOP M 8	6
9	TL01K-10104-00-00	SABOT MOTEUR	ENGINE PROTECTOR PLATE	1
10	0V050-08020-00-00	VIS TH 8 X 20	SCREW TH 8 X 20	2
11	0R001-8D018-1E-00	RONDELLE M 8	WASHER M 8	2
12	0V020-08020-00-00	VIS FHC 8 X 20	SCREW 8X 20	2
13	TL01J-60303-00-00	TAMPON SABOT	FRAME RUBBER	1
14	0CE06-16024-09-ZI	ECROU CLIP M 6	FAST NUT M 6	5
15	0ECWE-05015-00-00	ECROU WELNUT M 5	RUBBER WELNUT M 5	1
16	0V050-05020-00-00	VIS TH 5 X 20	SCREW TH 5 X 20	1
17	0EC03-05000-00-00	DEMI-ECROU M 5	MIDLE NUT M 5	1
18	0EC10-05013-00-00	RIVET TUBULAIRE M 5	TUBULAR RIVET M 5	8
19	TL01J-20504-00-00	RONDELLE DIRECTION	STEERING WASHER	2
20	TL01J-20508-00-00	ROULEMENT DIRECTION	STEERING BEARING	2
21	TL01J-20506-00-00	CACHE POUSSIERE	DUST COVER	1
22	0EC08-06000-00-00	ECROU NYLSTOP M6	NUT NYLSTOP M 6	2
23	0V150-06012-00-00	VIS THE 6 X 12	THE 6 x 12 SCREW	2
24	0V010-05012-00-00	VIS CHC 5 X 12	CHC 5 X 12 SCREW	2

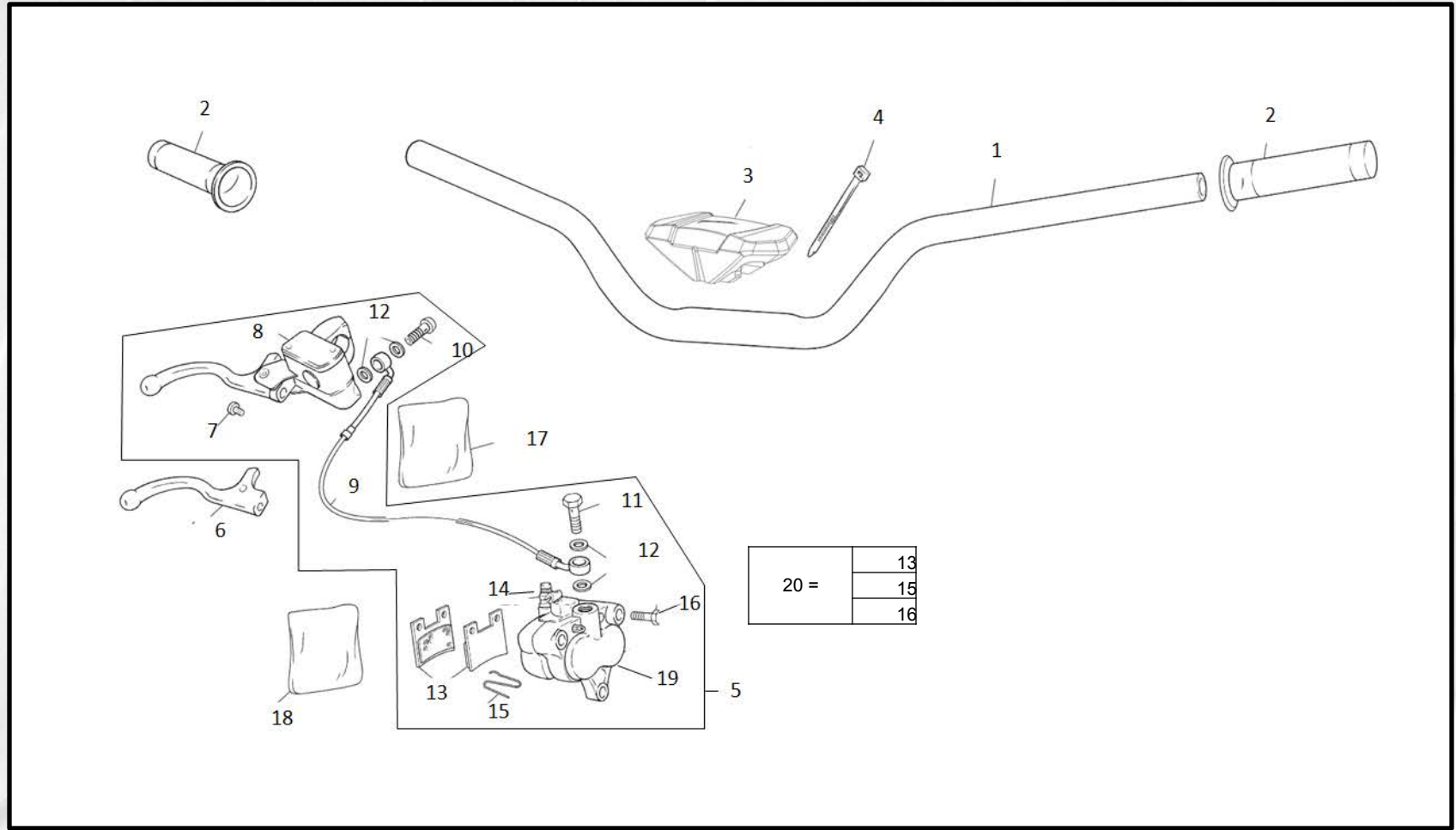


<b>N°</b>	<b>REFERENCE</b>	<b>FRANCAIS</b>	<b>ENGLISH</b>	<b>QUANTITY</b>
1	TL01J-20501-00-00	TE INFERIEUR + PIVOT	LOWER FORK CLAMP ASSY	1
2	TL01J-20502-00-00	TE SUPERIEUR	UPPER FORK CLAMP	1
3	TL01J-20505-00-00	ECROU PRESSION	STEERING TOP BEARING NUT	1
4	TL01J-20507-00-00	ECROU PIVOT	STEERING AXLE TOP NUT	1
5	TL01J-20510-00-00	PAIRE DE PONTETS DE GUIDON	HANDLEBAR CLAMP SET	1
6	TL01J-60304-00-00	BUTEE DE DIRECTION GAUCHE	LEFT STEERING STOP	1
7	0V010-08020-00-00	VIS CHC 8 X 20	SCREW CHC 8 X 20	7
8	0V010-08030-00-00	VIS CHC 8 X 30	SCREW CHC 8 X 30	6
9	TL01J-60306-00-00	BUTEE DE DIRECTION DROITE	RIGHT STEERING STOP	1





N°	REFERENCE	FRANCAIS	ENGLISH	QUANTITY
1	TL01J-20101-00-00	JAMBE DE FOURCHE GAUCHE	LEFT FRONT FORK ASSY	1
2	TL01J-20102-00-00	JAMBE DE FOURCHE DROITE	RIGHT FRONT FORK ASSY	1
3	TL01J-20122-00-00	CACHE POUSSIERE	DUST SEAL	2
4	TL01J-20121-00-00	JOINT SPY	OIL SEAL	2
5	TL01J-20120-00-00	BAGUE DE GUIDAGE	SLIDE LOWER	2
6	TL01J-20122-00-00	JONC MAINTIEN JOINT SPY	SNAP RING	2
7	TL01J-20106-00-00	TUBE DE FOURCHE	FRONT FORCK INNER TUBE	2
8	TL01J-20111-00-00	ENTRETOISE PRECONTRAINTE RESSORT	SPRING SPACER	2
9	TL01J-20108-00-00	RESSORT DROIT OU GAUCHE	RIGHT OR LETF SPRING	2
10	TL01J-20112-00-00	BOUCHON DE FOURCHE + JOINT	SET FORK PLUG	2
11	TL01J-20124-00-00	RONDELLE JOINT	SEAL WASHER	2
12	TL01J-20125-00-00	VIS	SPECIAL SCREW	2
13	TL01J-20104-00-00	FOUREAU GAUCHE	LEFT OUTER FORK TUBE	1
14	TL01J-20105-00-00	FOUREAU DROIT	RIGHT OUTER FORK TUBE	1

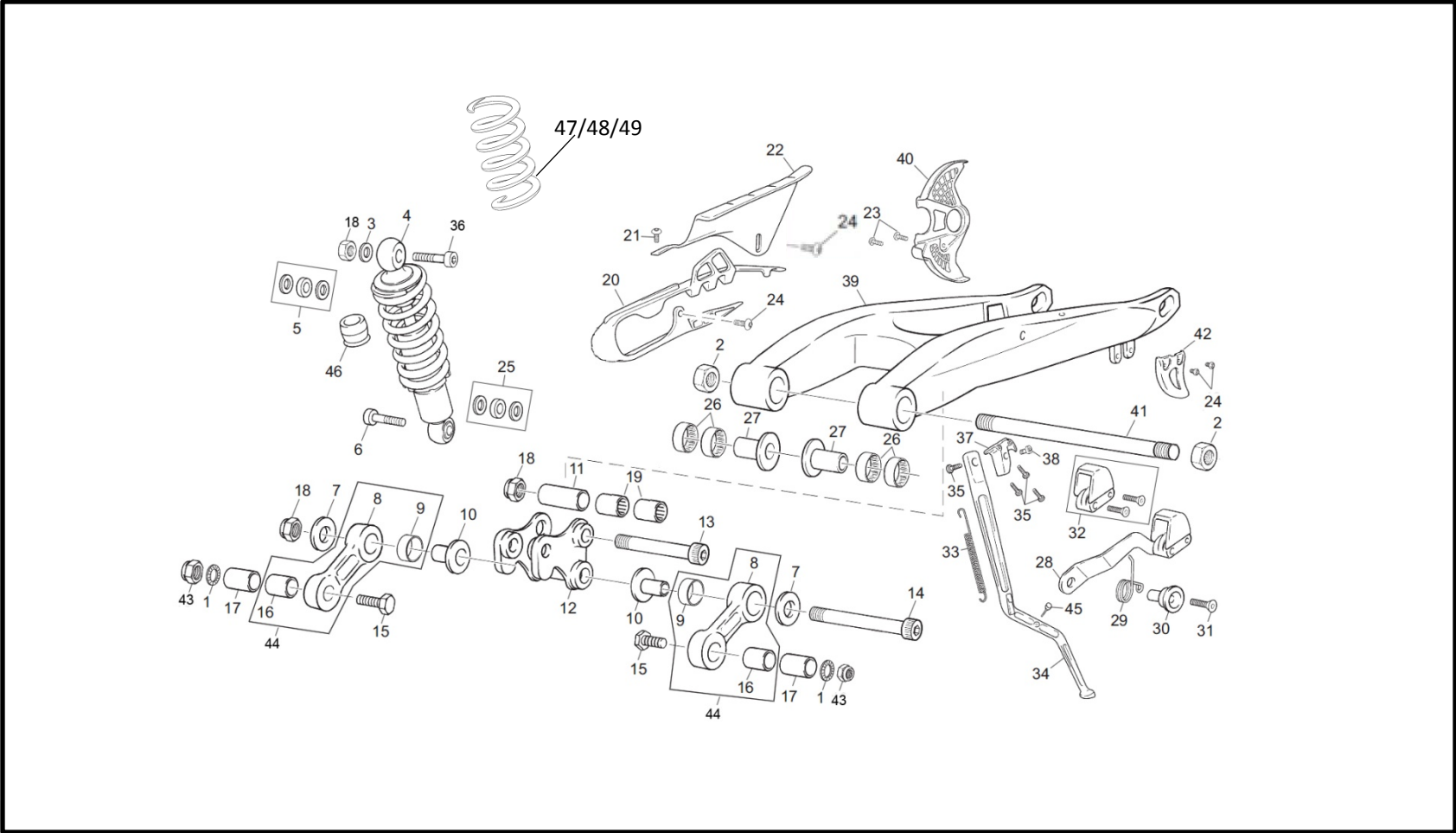


N°	REFERENCE	FRANCAIS	ENGLISH	QUANTITY
1	TL01K-20511-00-00	GUIDON TRIAL	HANDELBAR TRIAL	1
2	TL01J-60405-00-00	POIGNEE CAOUTCHOUC PAIRE	GRIPS SET	1
3	TL01J-60305-00-00	PROTECTION GUIDON	HANDELBAR PROTECTION	1
4	0C001-4H178-00-N0	COLLIER RYSLAN 178 X 4,8	ZIP TIE 178 X 4,8	1
5	TL01J-20200-00-00	LIGNE FREIN AVANT COMPLETE	FRONT BRAKE ASSY	1
6	TL01J-20211-00-00	LEVIER FREIN AVANT	FRONT BRAKE LEVER	1
7	TL01J-20213-00-00	BUTEE LEVIER	LEVER STOP	1
8	TL01J-20210-00-00	MAITRE CYLINDRE AVANT	FRONT BRAKE MASTER CYLINDER ASSY	1
9	TL01J-20212-00-00	DURITE FREIN AVANT	FRONT BRAKE HOSE	1
10	0V160-10021-00-0	VIS RACCORD BHC M10 X 21	SCREW BHC PRESSURE HOSE	1
11	0V140-10021-00-00	VIS RACCORD TH M10 X 21	SCREW TH PRESSURE HOSE	1
12	0JA00-10014-1E-00	RONDELLE 10 X 14 X 1,5	WASHER 10 X 14 X 1,5	4
13	TL01J-20202-00-00	PLAQUETTES FREIN AVANT PAIRE	PAIR FRONT BRAKE PAD	1
14	TL01J-20216-00-00	VIS PURGE AVEC BOUCHON	BLEEDER CAP ASSY	1
15	TL01J-20203-00-00	CLIP EPINGLE PLAQUETTE	PAD PIN CLIP	1
16	TL01J-20204-00-00	AXE BLOCAGE PLAQUETTE AVANT	FRONT STOP PAD AXLE	1
17	TL01J-20220-00-00	KIT REPARATION MAITRE CYLINDRE AV	FRONT BRAKE PUMP KIT REPAIR	1
18	TL01J-20221-00-00	KIT REPARATION ETRIER AVANT	FRONT CALIPER REPAIR KIT	1
19	TL01J-20217-00-00	ETRIER AVANT	FRONT CALIPER	1
20	TL01J-20205-00-00	KIT PLAQUETTE AVANT COMPLET	FRONT PAD KIT	1



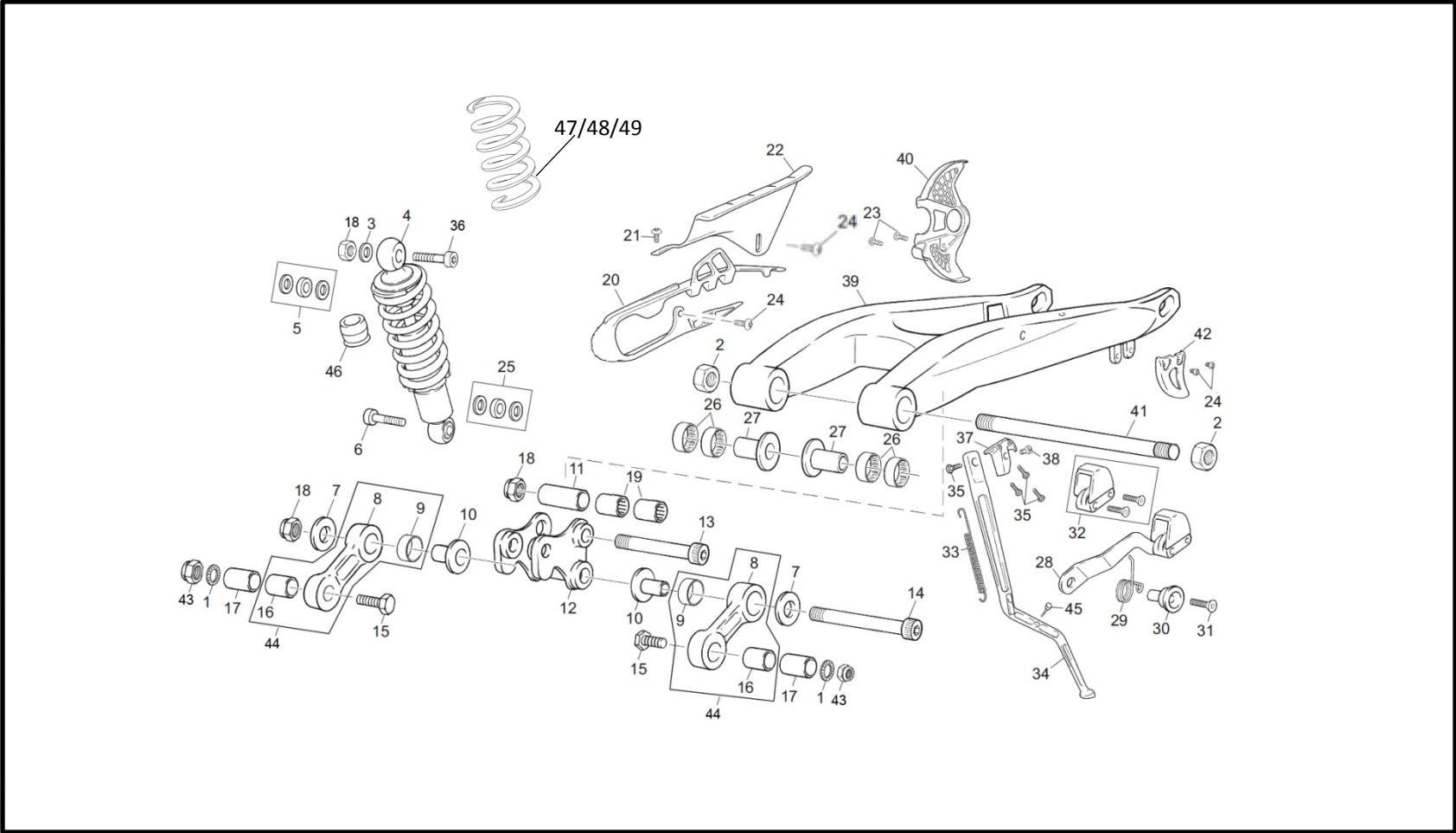


N°	REFERENCE	FRANCAIS	ENGLISH	QUANTITY
1	TL01J-20301-00-0	ROUE AVANT TRIAL	FRONT WHEEL ASSY	1
2	TL01J-20403-00-00	AXE DE ROUE AVANT	FRONT WHEEL AXLE	1
3	TL01J-20311-00-00	JANTE AVANT TRIAL 32 RAYONS	FRONT TRIAL 32 SPOKES RIM	1
4	0RBR1-06004-01-00	ROULEMENT DE MOYEU	HUB BEARING	2
5	TL01J-20322-00-00	RUBAN FOND DE JANTE	PROTECTEUR RIM RUBBER	1
6	TL01J-20323-00-00	CHAMBRE A AIR 21"	21" TUBE	1
7	TL01J-20312-00-00	PNEU AVANT 2,75X21	2,75 X 21" FRONT TYRE	1
8	TL01J-20321-00-00	GRIPSTER	GRIPSTER	1
9	0EC08-08000-00-00	ECROU NYLTOP M8	NUT NYLSTOP M 8	1
10	TL01J-20313-00-00	ECROU DE RAYON AVANT	FRONT SPOKE NIPPLE	32
11	TL01J-20314-00-00	RAYON NOIR DE ROUE AVANT	BLACK FRONT SPOCKE	32
12	TL01J-20310-00-00	MOYEU AVANT COMPLET	FRONT HUB ASSY	1
13	TL01J-20222-00-00	DISQUE FREIN AVANT TRIAL	FRONT BRAKE DISC TRIAL	1
14	TL01J-20223-00-00	ENTRETOISE DISQUE AVANT	FRONT DISC SPACER	4
15	0V150-06020-00-00	VIS HEXAGONALE EPAULE M6 X 20	SPECIAL EXAGONAL SCREW M 6 X 20	4
16	TL01J-20316-00-00	ENTRETOISE INTERNE MOYEU	FRONT HUB SPACER	1



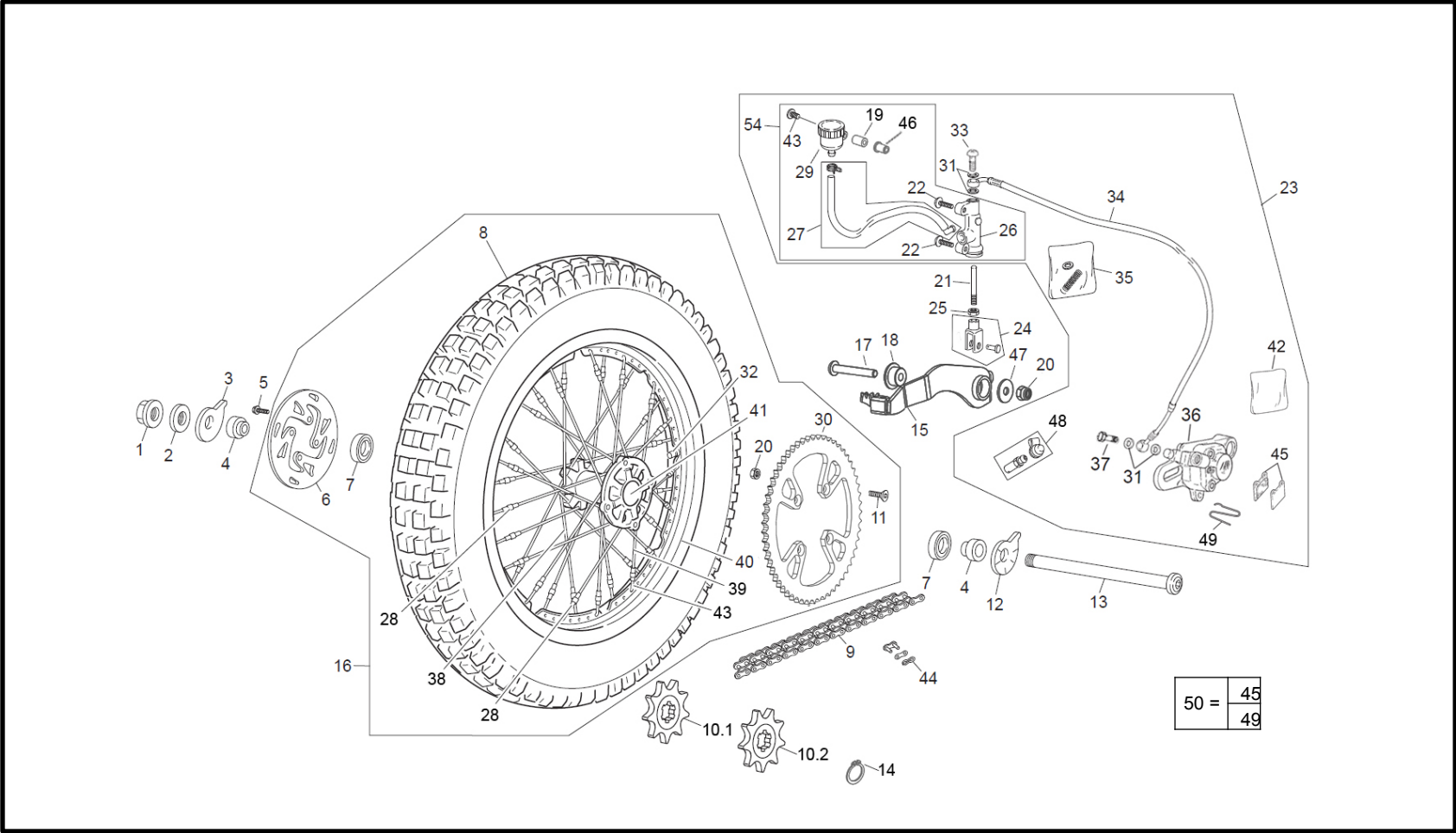
N°	REFERENCE	FRANCAIS	ENGLISH	QUANTITY
1	0R002-8C013-1D-00	RONDELLE AET 8	WASHER AET 8	2
2	TL01J-30103-00-00	ECROU 14	NUT 14	2
3	0R001-10020-02-00	RONDELLE M 10	WASHER M 10	2
4	TL01J-30401-00-00	AMORTISSEUR	REAR SHOCK	1
5	TL01J-30411-00-00	KIT ROTULE AMORTISSEUR SUPERIEUR	SUPERIOR BALL AND SOCKET SEAL	1
6	0V010-10042-04-00	VIS 10 X 42	AXLE 10 X 42	1
7	0R001-10030-2E-00	RONDELLE M 10 X 30	WASHER 10 X 30	2
8	TL01J-30111-01-ASM	BIELLETTE DE SUSPENSION	REAR SUSPENSION LINK	2
9	0DF01-16018-15-00	DOUILLE FRICTION 16X18X15	GLACIER BUSHING 16X18X15	2
10	TL01J-30109-00-00	ENTRETOISE BIELLETTE-BASCULEUR	SPACER SWING ARM	2
11	TL01J-30107-00-00	ENTRETOISE SUSPENSION	SUSPENSION SPACER	2
12	TL01J-30108-00-00	BASCULEUR SUSPENSION	REAR SUSPENSION DELTA LINK	1
13	0V010-10072-04-00	AXE 10 X 72	AXLE 10 x 72	1
14	0V010-10120-04-00	AXE 10 X 120	AXLE 10 X 120	1
15	0V100-08035-00-00	VIS SPECIALE	SPECIAL SCREW	2
16	0DF01-14016-15-00	DOUILLE FRICTION 14X16X15	GLACIER BUSHING 14X16X15	2
17	TL01J-30113-00-00	ENTRETOISE BIELLETTE-CADRE	FRAME LINK SPACER	2
18	0EC08-10000-00-00	ECROU NYLSTOP M10	NUT NYLSTOP M 10	3
19	TL01J-30106-00-00	DOU. AIGUI. BRAS/SUSP HK16X20X2RS	NEEDLE BEARING 16 X 20 X 2RS	2
20	TL01J-30140-00-00	PATIN DE CHAINE	CHAIN GUIDE	1
21	0V040-05016-00-00	VIS BHC 5 X 16	SCREW BHC 5 X 16	1
22	TL01J-30141-00-00	CARTER DE CHAINE	CHAIN PROTECTOR	1
23	0V040-06010-00-00	VIS BHC 6X10	SCREW BHC 6 X 10	2
24	0V040-05010-00-00	VIS BHC 5X10	SCREW BHC 5 X 10	4
25	TL01J-30412-00-00	KIT ROTULE AMORTISSEUR INFERIEUR	INFERIOR BALL AND SOCKET SEAL	1





N°	REFERENCE	FRANCAIS	ENGLISH	QUANTITY
26	TL01J-30104-00-00	DOUILLE AIGUILLE BRAS HK20X20X2 RS	NEEDLE BEARING 20 X 20 X 2RS	4
27	TL01J-30105-00-00	ENTRETOISE CADRE-BRAS	SWING ARM SPACER	2
28	TL01J-30130-00-00	TENDEUR DE CHAINE	CHAIN TENSIONER	1
29	TL01J-30132-00-00	RESSORT TENDEUR DE CHAINE	CHAIN TENSIONER SPRING	1
30	TL01J-30131-00-00	ENTRETOISE TENDEUR DE CHAINE	CHAIN TENSIONER SPACER	1
31	0V020-08035-00-00	VIS FHC 8X35	SCREW FHC 8 X 35	1
32	TL01J-30130-02-ASM	CAOUTCHOUC TENDEUR	CHAIN TENSIONER RUBBER	1
33	TL01J-30123-00-00	RESSORT DE BEQUILLE	LATERAL STAND SPRING	1
34	TL01J-30121-00-00	BEQUILLE	LATERAL STAND	1
35	0V040-08012-00-00	VIS BHC 8 X 12	SCREW BHC 8 X 12	4
36	0V010-10050-04-00	VIS 10 X 50	AXLE 10 X 50	1
37	TL01J-30120-00-00	SUPPORT BEQUILLE	STAND HOLDER	1
38	TL01J-30122-00-00	VIS SPECIALE BEQUILLE	SPECIAL STAND SCREW	1
39	TL01J-30101-00-00	BRAS OSCILLANT MAT 07	SWING ARM	1
40	TL01J-30142-00-00	PROTEGE DISQUE ARRIERE	BRAKE DISC PROTECTOR	1
41	TL01J-30102-00-00	AXE BRAS OSCILLANT	SWING ARM AXLE	1
42	TL01J-30143-00-00	PROTEGE COURRONE	SPROKET PROTECTOR	1
43	0EC08-08000-00-00	ECROU NYLSTOP M8	NUT NYLSTOP M 8	2
44	TL01J-30111-00-00	BIELLETE COMPLETE	REAR SUSPENSION LINK ASSY	2
45	TL01J-30144-00-00	CAOUTCHOUC BEQUILLE	STAND RUBBER	1
46	TL01J-30401-10-ASM	BUTEE CAOUTCHOUC AMORTISSEUR	REAR SHOCK RUBBER	1
47	TL01J-30401-R1-ASM	RESSORT AMORTISSEUR MEDIUM	MEDIUM REAR SHOCK SPRING	1
48	TL01J-30401-R2-ASM	RESSORT AMORTISSEUR SOUPLE	SOFT REAR SHOCK SPRING	1
49	TL01J-30401-R3-ASM	RESSORT AMORTISSEUR DUR	HARD REAR SHOCK SPRING	1

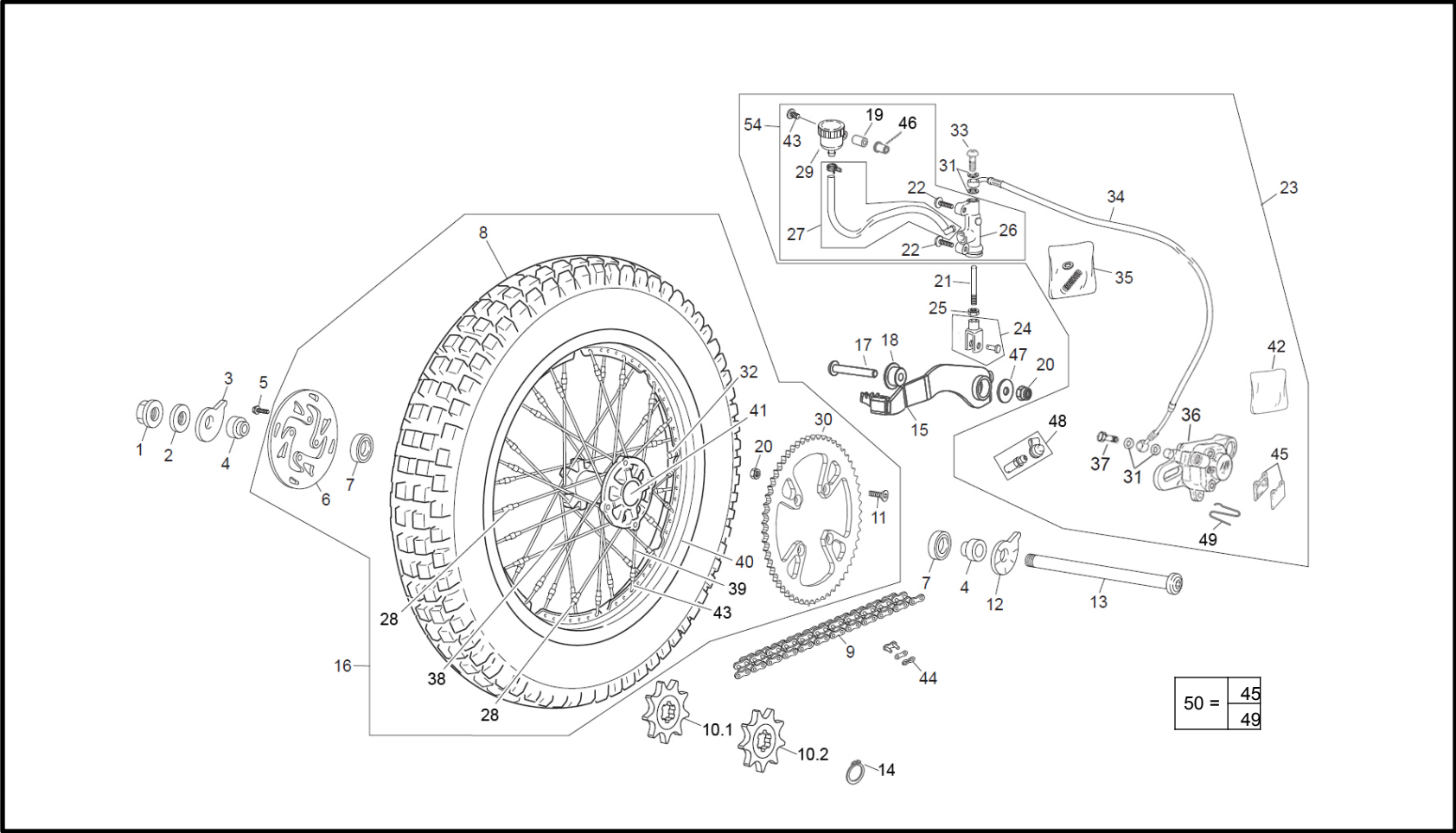
# ROUE ARRIERE / REAR WHEEL



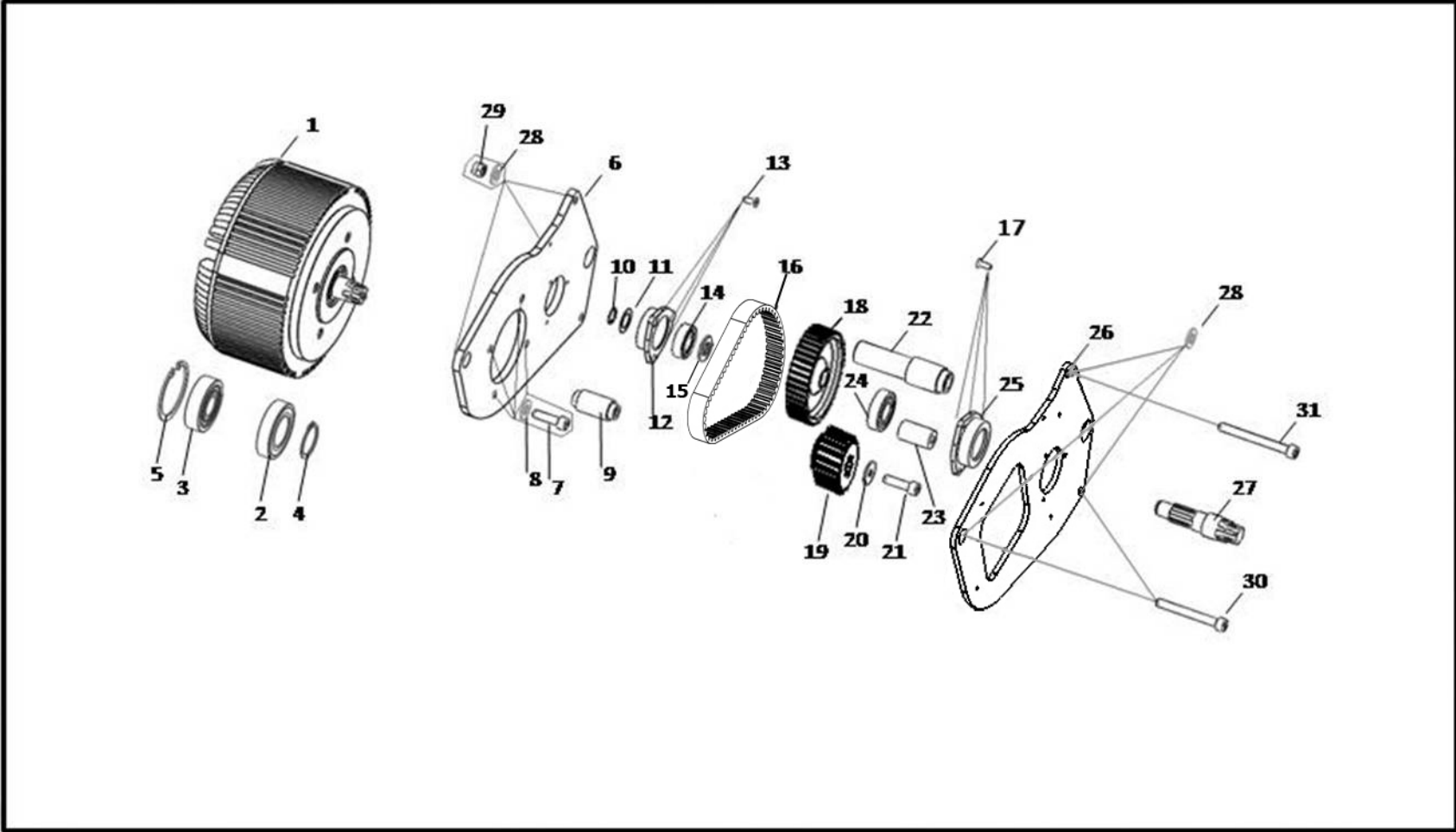
N°	REFERENCE	FRANCAIS	ENGLISH	QUANTITY
1	TL01J-30303-00-00	ECROU ROUE ARRIERE	NUT M 17	1
2	0R001-16030-03-00	RONDELLE M 16	WASHER M 16	1
3	TL01J-30305-00-00	EXCENTRIQUE DROIT	RIGHT CHAIN CAM ADJUSTER	1
4	TL01J-30306-00-00	ENTRETOISE ROUE ARRIERE	REAR WHELL SPACER	2
5	0V150-06020-00-00	VIS TH E 6 X 20	SCREW TH E 6 X 20	4
6	TL01J-30203-00-00	DISQUE FREIN ARRIERE TRIAL	REAR BRAKE TRIAL DISC	1
7	0RBR1-06004-01-00	ROULEMENT DE MOYEU 6004 2RS	HUB BEARING	2
8	TL01J-30312-00-00	PNEU ARRIERE TRIAL 4.00 X 18	REAR TRIAL TYRE 4.00 X 18	1
9	0CHA4-28130-00-00	CHAINE 428	428 CHAIN	1
10,1	0P316-20428-09-10	PIGNON 9 DENTS	9T FRONT SPROCKET	1
10,2	0P316-20428-11-10	PIGNON 11 DENTS	11T FRONT SPROCKET	1
11	0V020-08025-00-00	VIS FHC 8 X 25	SCREW FHC 8 X 25	4
12	TL01J-30304-00-00	EXCENTRIQUE GAUCHE	LEFT CHAIN CAM ADJUSTER	1
13	TL01J-30302-00-00	AXE ROUE ARRIERE	REAR WHEEL AXLE	1
14	0CP01-0201B-00-00	CIRCLIP M20	CIRCLIP M 20	1
15	TL01J-30201-00-00	PEDALE FREIN ARRIERE	REAR BRAKE PEDAL	1
16	TL01J-30301-00-00	ROUE ARRIERE TRIAL	REAR TRIAL WHEEL ASSY	1
17	0V040-08050-00-00	VIS BHC 8 X 50	SCREW BHC 8 X 50	1
18	TL01J-30211-00-00	ENTRETOISE PEDALE DE FREIN	BRAKE PEDAL SPACER	1
19	0E05B-10015-00-00	ENTRETOISE BOCAL FREIN	BRAKE TANK SPACER	1
20	0EC08-08000-00-00	ECROU NYLSTOP M8	NUT NYLSTOP M 8	4
21	TL01J-30221-00-00	TIGE FREIN ARRIERE	REAR BRAKE ROD	1
22	0V040-06016-00-00	VIS BHC 6 X 16	SCREW BHC 6 X 16	2
23	TL01J-30200-00-00	GROUPE FREIN ARRIERE	REAR BRAKE ASSY	1
24	TL01J-30220-00-00	CHAPE PEDALE FREIN	BRAKE PEDAL CLEVIS	1
25	0EC02-06000-00-00	ECROU STANDARD M6	STANDARD NUT M 6	1



# ROUE ARRIERE / REAR WHEEL

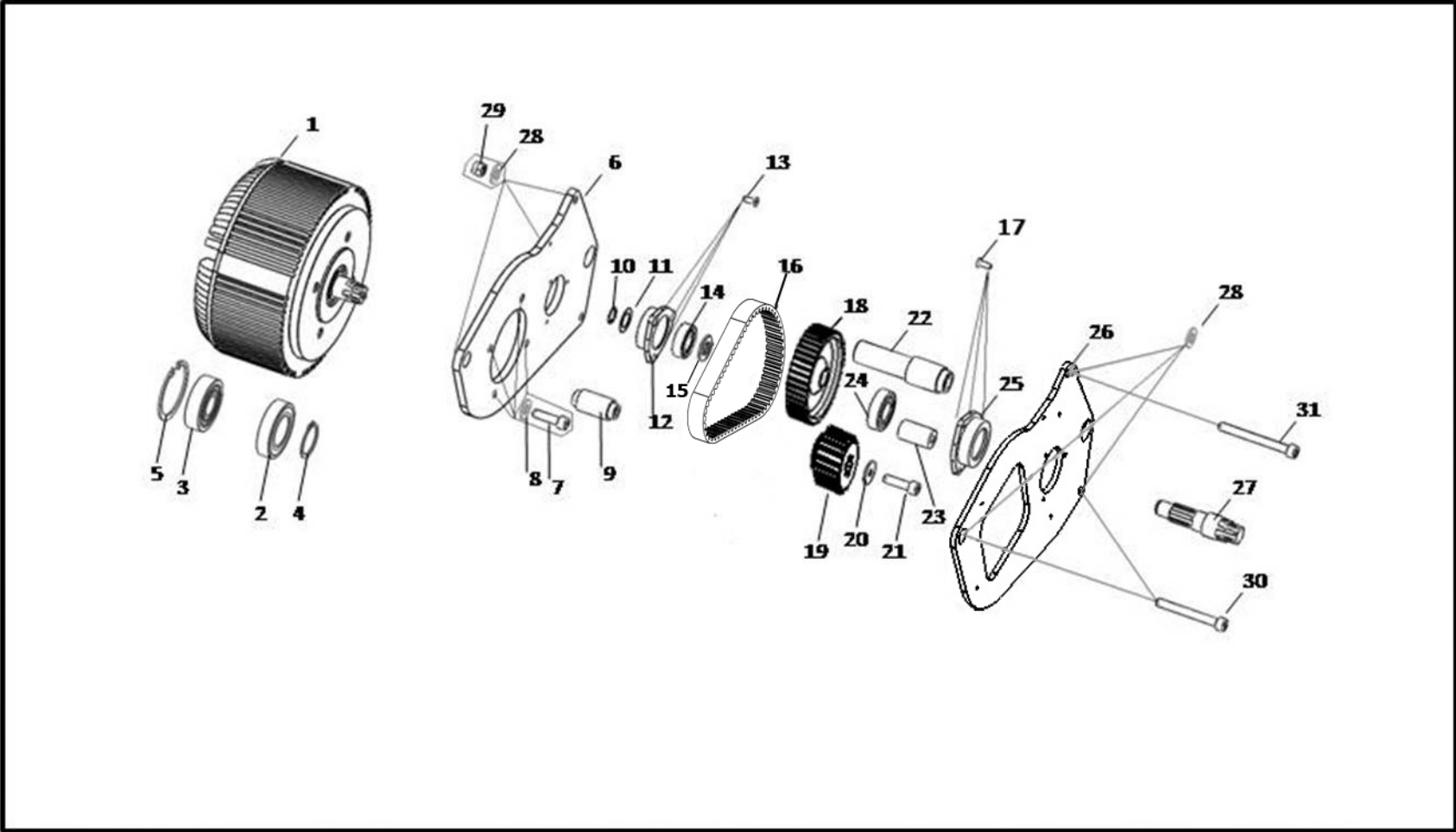


N°	REFERENCE	FRANCAIS	ENGLISH	QUANTITY
26	TL01J-30202-00-00	POMPE FREIN AR	REAR BRAKE PUMP	1
27	TL01J-30210-00-00	TUBE LIQUI. FREIN BOCAL/POMPE	OIL TANK PIPE	1
28	TL01J-30313-00-00	ECROU DE RAYON ARRIERE	REAR SPOKE NIPPLE	32
29	TL01J-30209-00-00	BOCAL LIQUIDE FREIN	OIL BRAKE TANK	1
30	0CR80-00428-57-00	COURRONE 57D 4 TROUS	DRIVEN SPROCKET 57 T	1
31	0JA00-10014-1E-00	RONDELLE 10 X 14 X 1,5	WASHER 10 X 14 X 1,5	4
32	TL01J-30220-00-00	VALVE TUBELESS	TUBELESS VALVE	1
33	0V160-10021-00-0	VIS RACCORD BHC M10 X 21	SCREW BHC PRESSURE HOSE	1
34	TL01J-30208-00-00	DURITE FREIN ARRIERE	REAR BRAKE HOSE	1
35	TL01J-30212-00-00	KIT REPARATION POMPE FREIN	REAR BRAKE PUMP KIT REPAIR	1
36	TL01J-30204-00-00	ETRIER FREIN ARRIERE	REAR BRAKE CALIPER	1
37	0V140-10021-00-00	VIS RACCORD TH M10 X 21	SCREW TH PRESSURE HOSE	1
38	TL01J-30316-00-00	RAYON NOIR ROUE ARR 32 R DISQUE	REAR WHELL DISC SPOCKE	16
39	TL01J-30315-00-00	RAYON NOIR ROUE ARR 32 R COURRONE	REAR WHELL SPROCKET SPOCKE	16
40	TL01J-30311-00-00	JANTE ARRIERE TRIAL 32 RAYONS	REAR TRIAL 32 SPOKES WHELL	1
41	TL01J-30310-00-00	MOYEU ARRIERE	REAR HUB	1
42	TL01J-30213-00-00	KIT REPARATION ETRIER ARRIERE	REAR CALIPER REPAIR KIT	1
43	TL01J-30314-00-00	RAYON NOIR COURT ARRIERE	REAR WHEEL SHORT SPOKE	32
44	0AT02-42800-00-00	ATTACHE RAPIDE DE CHAINE	CONNECTING LINK	1
45	TL01J-30205-00-00	PLAQUETTES FREIN ARRIERE PAIRE	PAIR REAR BRAKE PAD	1
46	0ECWE-05015-00-00	ECROU WELNUT M 5	RUBBER WELNUT M 5	1
47	0R001-8D025-02-00	RONDELLE M 8 X 25	WASHER M 8 X 25	1
48	TL01J-30207-00-00	VIS PURGE AVEC BOUCHON	BLEEDER CAP ASSY	1
49	TL01J-30206-00-00	AXE EPINGLE PLAQUETTE	PAD PIN CLIP	1
50	TL01J-30214-00-00	KIT PLAQUETTES ARRIERE COMPLET	REAR PAD KIT	1

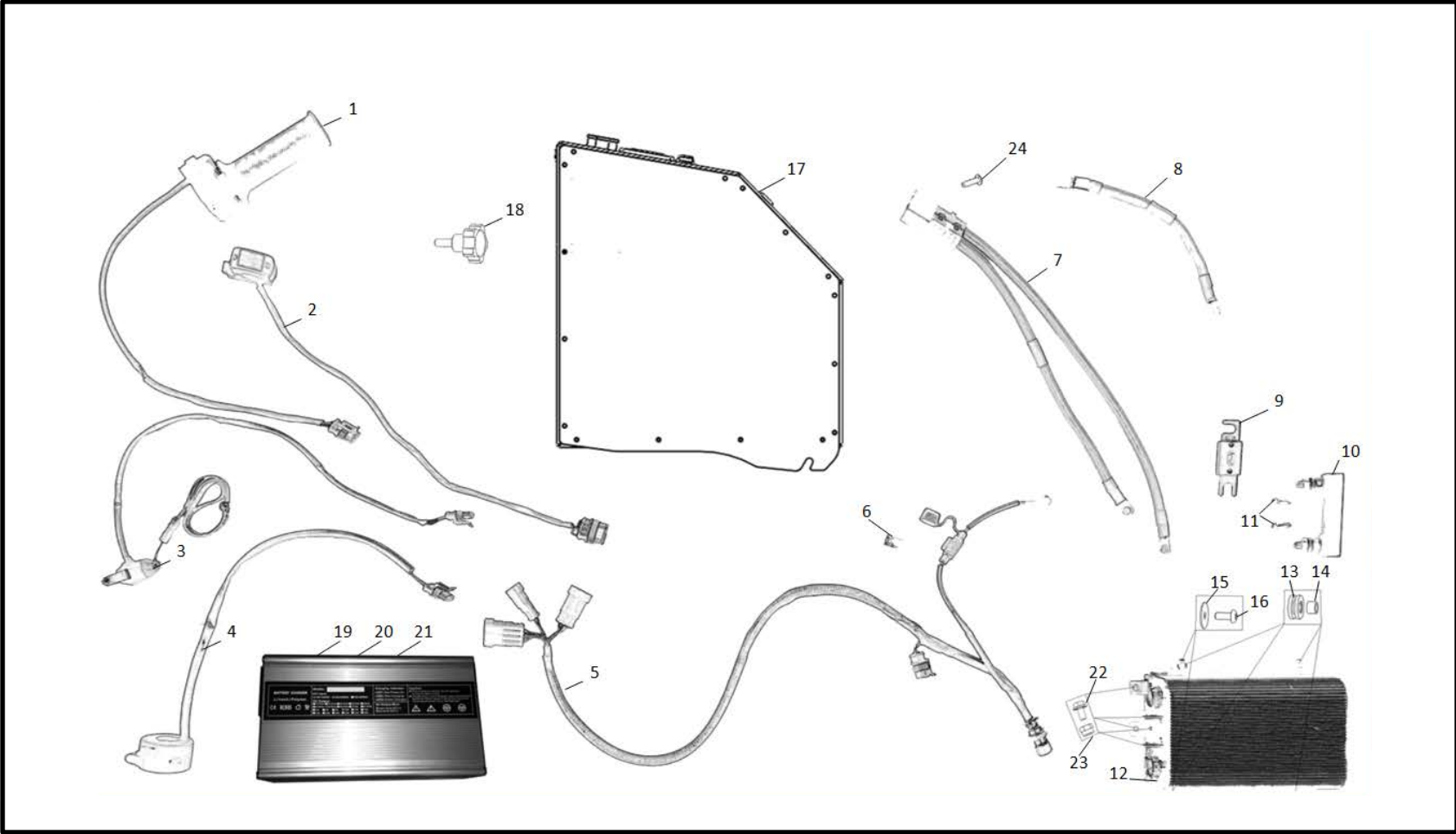


N°	REFERENCE	FRANCAIS	ENGLISH	QUANTITY
1	TL01J-40100-00-00	MOTEUR COMPLET	MOTOR ASSY	1
2	0RBR1-06006-01-00	ROULEMENT 6006	BEARING 6006	1
3	0RBR1-06304-01-00	ROULEMENT 6304	BEARING 6304	1
4	OCP01-0301E-00-00	CIRCLIP ARBRE 30	SHAFT CIRCLIP 30	1
5	OCP02-05602-00-00	CIRCLIP ALESAGE 56	BORE CIRCLIP 56	1
6	TL01K-50102-00-00	PLATINE MOTEUR DROITE	RIGTH ENGINE PLATE	1
7	0V010-08025-00-00	VIS CHC M 8 X 25	SCREW CHC M 8 X 25	5
8	0R012-08018-00-00	RONDELLE M 8 CONTACT	SPECIAL WASHER M 8	4
9	TL01K-50104-00-00	ENTRETOISE PLATINE AVANT	FRONT PLATE SPACER	1
10	OCP01-01501-00-00	CIRCLIP ARBRE 15	SHAFT CIRCLIP 15	1
11	0R011-15021-0C-00	RONDELLE CALAGE 15	CALIBRATION WASHER 15	2
12	TL01J-10121-00-00	COQUILLE ROULEMENT DROITE	RIGHT ROLL BOX BEARING	1
13	0V020-05016-00-00	VIS FHC M 5 X 16	SCREW FHC 5 X 16	3
14	0RBR1-06202-01-00	ROULEMENT 6202	BEARING 6202	1
15	0R001-15028-2E-00	RONDELLE 15	WASHER 15	1
16	0CR01-000M8-60-27	COURROIE	TRANSMISSION BELT	1
17	0V020-05016-00-00	VIS FHC M 5 X 16	SCREW FHC 5 X 16	3
18	0PL10-08044-16-30	POULIE MENE 44 DENTS	DRIVEN PULLEY 44 T	1
19	0PL12-08020-16-30	POULIE MENANTE 20 DENTS	DRIVING PULLEY 20 T	1
20	0R001-8D025-02-00	RONDELLE M 8 X 25	WASHER M 8 X 25	1
21	0V010-08020-00-00	VIS CHC M 8 X 20	SCREW CHC M 8 X 20	1
22	TL01K-50103-00-00	ENTRETOISE PLATINE BRAS	SWING ARM PLATE SPACER	1
23	TL01K-50105-00-00	ENTRETOISE PLATINE ARRIERE	REAR PLATE SPACER	1
24	0RBR1-06004-01-00	ROULEMENT 6004	BEARING 6004	1
25	TL01K-10120-00-00	COQUILLE ROULEMENT GAUCHE	LEFT ROLL BOX BEARING	1

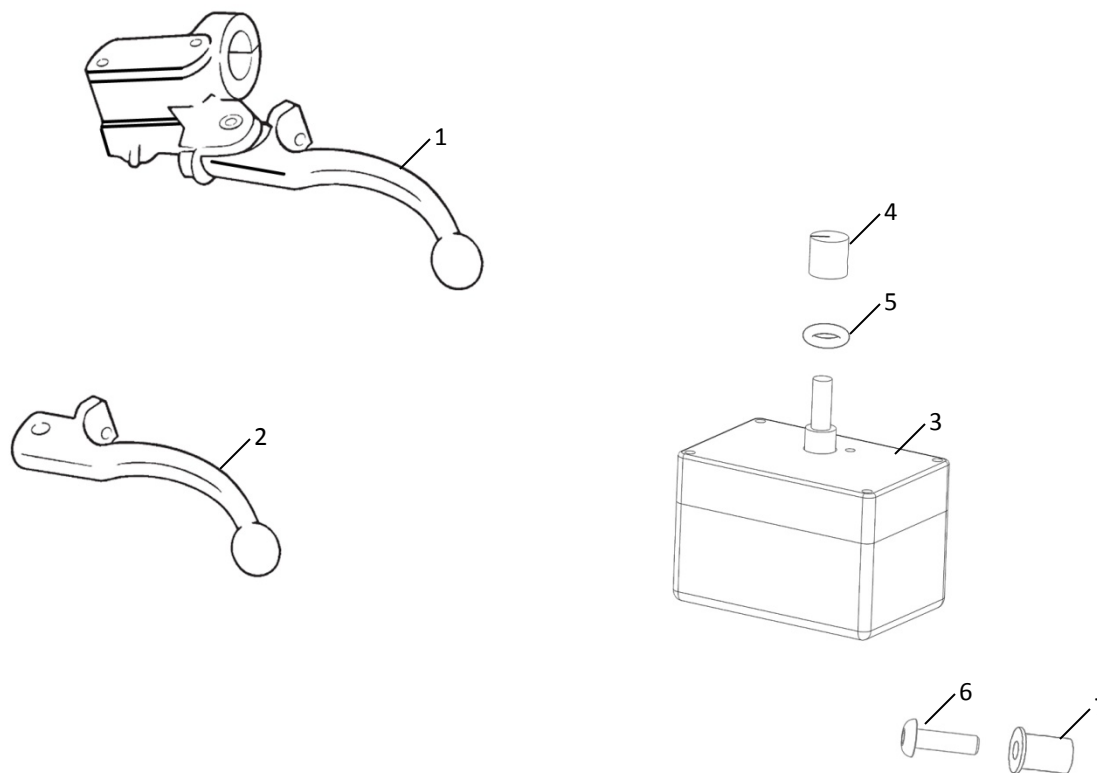




<b>N°</b>	<b>REFERENCE</b>	<b>FRANCAIS</b>	<b>ENGLISH</b>	<b>QUANTITY</b>
26	TL01K-50101-00-00	PLATINE MOTEUR GAUCHE	LEFT ENGINE PLATE	1
27	TL01J-50110-00-00	ARBRE PRIMAIRE	PRIMARY SHAFT	1
28	0R001-8D018-00-00	RONDELLE M 8	WASHER M 8	6
29	0EC08-08000-00-00	ECROU NYLSTOP M 8	NUT NYLSTOP M 8	3
30	0V010-08070-00-00	VIS CHC M 8 X 70	SCREW CHC M 8 X 70	2
31	0V010-08080-00-00	VIS CHC M 8 X 80	SCREW CHC M 8 X 80	1

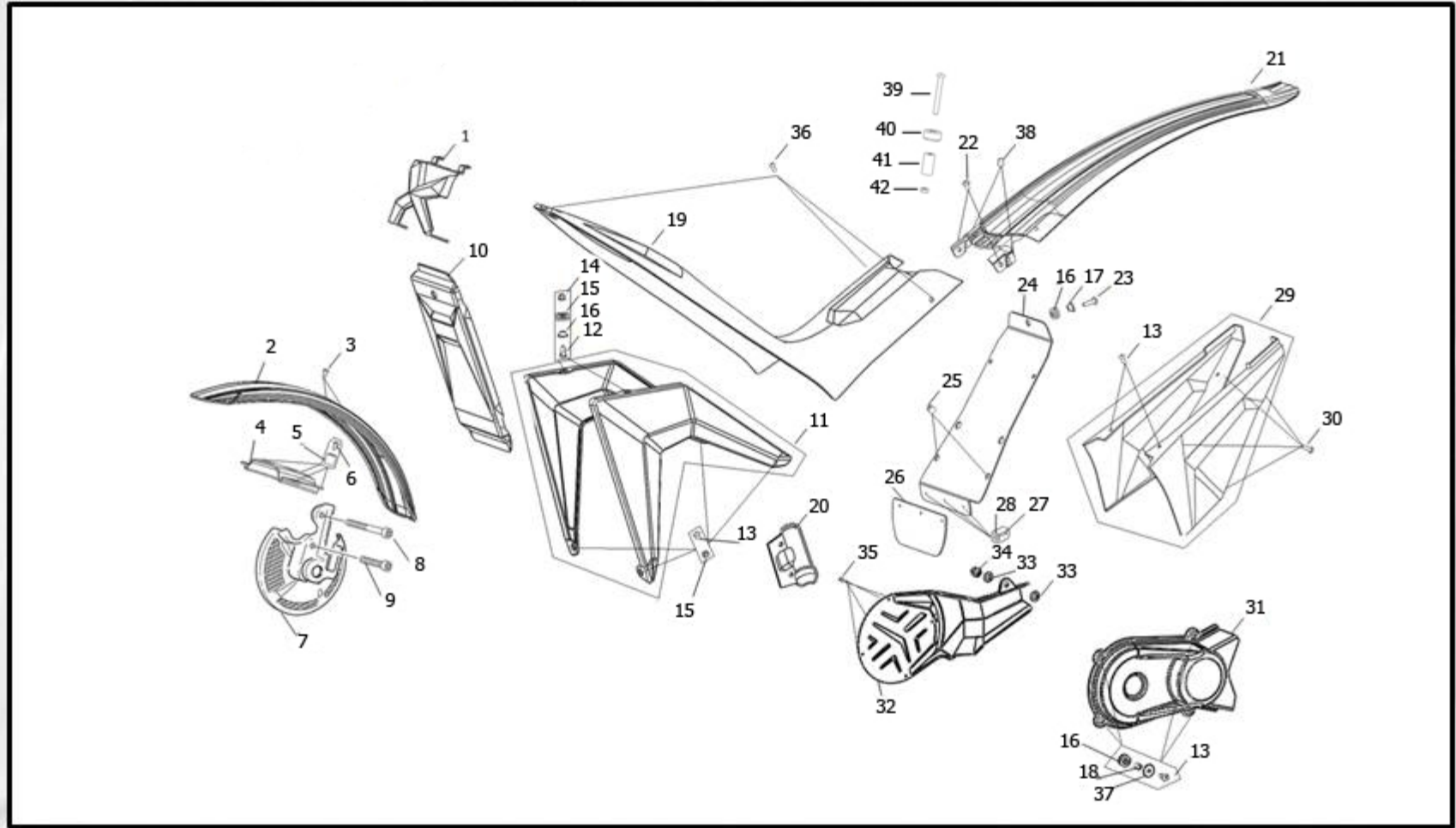


N°	REFERENCE	FRANCAIS	ENGLISH	QUANTITY
1	TL01J-60401-00-00	POIGNEE ACCELERATEUR	THROTTLE HANDLE	1
2	TL01J-60407-00-00	COMMUTATEUR MAP	MAP COMMUTATOR	1
3	TL01J-60101-00-00	AIMANT ARRET URGENCE	MAGNET EMERGENCY STOP	1
4	TL01J-60406-00-00	COMMUTATEUR GENERAL	MAIN COMMUTATOR	1
5	TL01J-50404-00-00	FAISCEAU PRINCIPAL	MAIN HARNESS	1
6	FUS02-00002-00-00	FUSIBLE 2A	2A FUSE	1
7	TL01J-50212-00-00	CABLE DECHARGE MOTO	MOTORCYCLE DISCHAGE CABLE	1
8	TL01J-50213-00-00	CABLE FUSIBLE CONTROLEUR	FUSE CONTROLLER CABLE	1
9	FUS01-00200-01-00	FUSIBLE PRINCIPAL 200A	200A MAIN FUSE	1
10	TL01H-50208-00-00	PORTE FUSIBLE PRINCIPAL	MAIN FUSE HOLDER	1
11	0V110-4H016-00-00	VIS 4,8 X 16	SCREW	1
12	TL01H-50301-00-00	CONTROLEUR	CONTROLLER	1
13	0SL01-11018-7E-00	SILENTBLOCK	SILENTBLOCK	4
14	0E06E-0906F-00-00	ENTRETOISE	SPACER	4
15	0R001-5C015-1C-00	RONDELLE M 5	WASHER M 5	2
16	0V040-05016-00-00	VIS BHC 5 X 16	SCREW BHC 5 X 16	2
17	TL01J-50200-00-00	PACK BATTERIE	BATTERY PACK	1
18	0V170-06015-00-00	MOLETTE M 6 X 15	SPECIAL SCREW M6 X 15	3
19	CHG01-48006-02-01	CHARGEUR 6A + ADAPTATEUR	6A CHARGER OPTIONAL + ADAPTEUR	1
20	CHG01-48010-02-01	CHARGEUR 10A SERIE + ADAPTATEUR	10A CHARGER SERIE + ADAPTEUR	1
21	CHG01-48015-02-01	CHARGEUR 15A + ADAPTATEUR	15A CHARGER OPTIONAL + ADAPTEUR	1
22	0V150-06012-00-00	VIS THE M 6 X 12	SCREW TH E M 6 X 12	5
23	0EC08-06000-00-00	ECROU NYLSTOP M 6	NUT NYLSTOP M 6	5
24	0V040-05020-00-00	VIS BHC 5 X 20	SCREW BHC 5 X 20	1

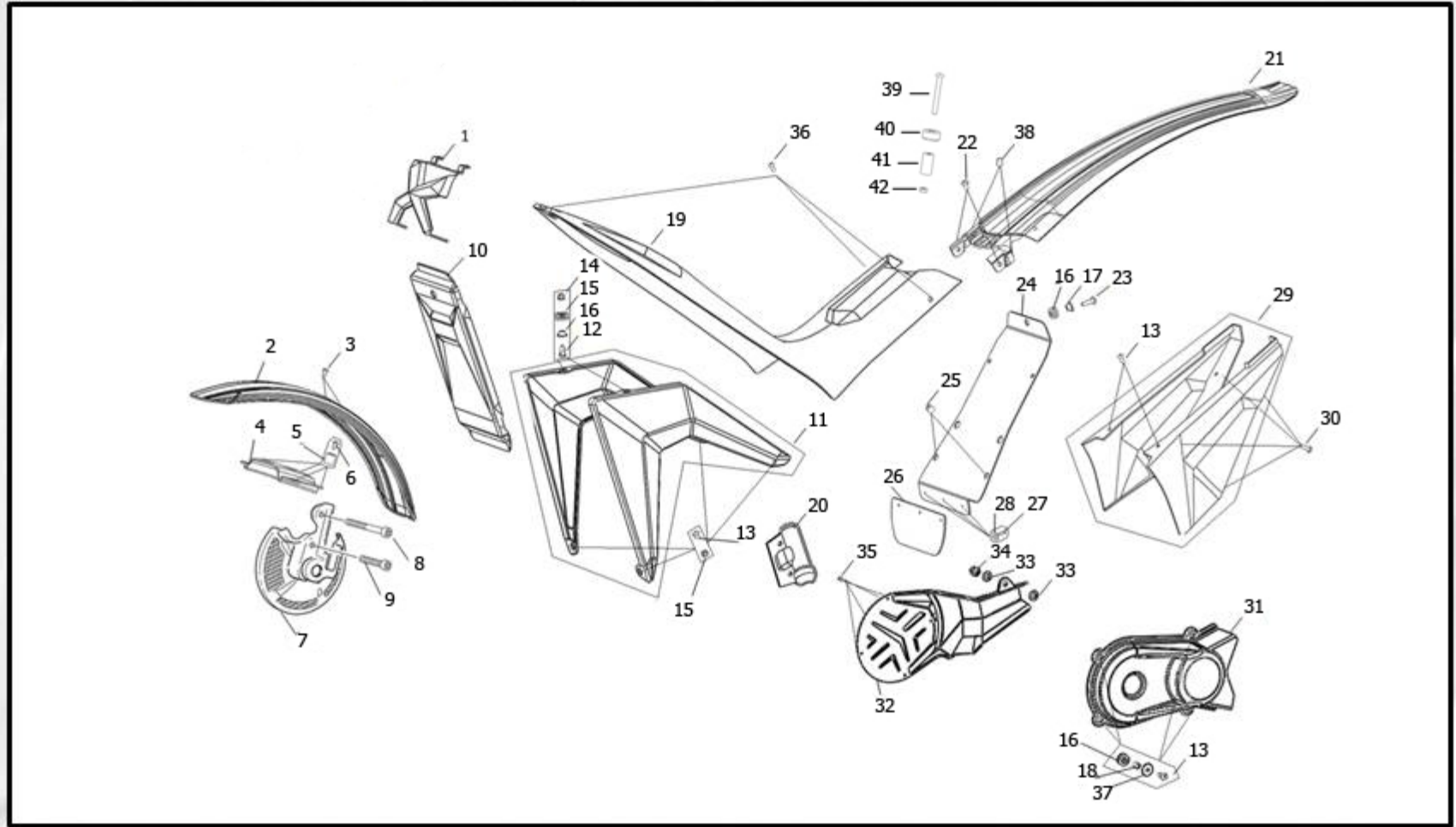




<b>N°</b>	<b>REFERENCE</b>	<b>FRANCAIS</b>	<b>ENGLISH</b>	<b>QUANTITY</b>
1	TL01K-60403-00-00	LEVIER ELS COMPLET	ELS LEVER ASSEMBLY	1
2	TL01K-60403-01-ASM	LEVIER ELS SEUL	ELS LEVER ONLY	1
3	TL01K-50311-00-00	BOITIER ELS	ELS BOX	1
4	TL01J-50313-00-00	MOLETTE COMMUTATEUR MAP	MAP SWITCH KNOB	1
5	0JT00-5H09E-00-00	JOINT TORIQUE	O'RING	1
6	0V040-05016-00-00	VIS BHC 5 X 16	SCREW BHC 5 X 16	1
7	0ECWE-05015-00-00	ECROU WELNUT M 5	RUBBER WELNUT M 5	1

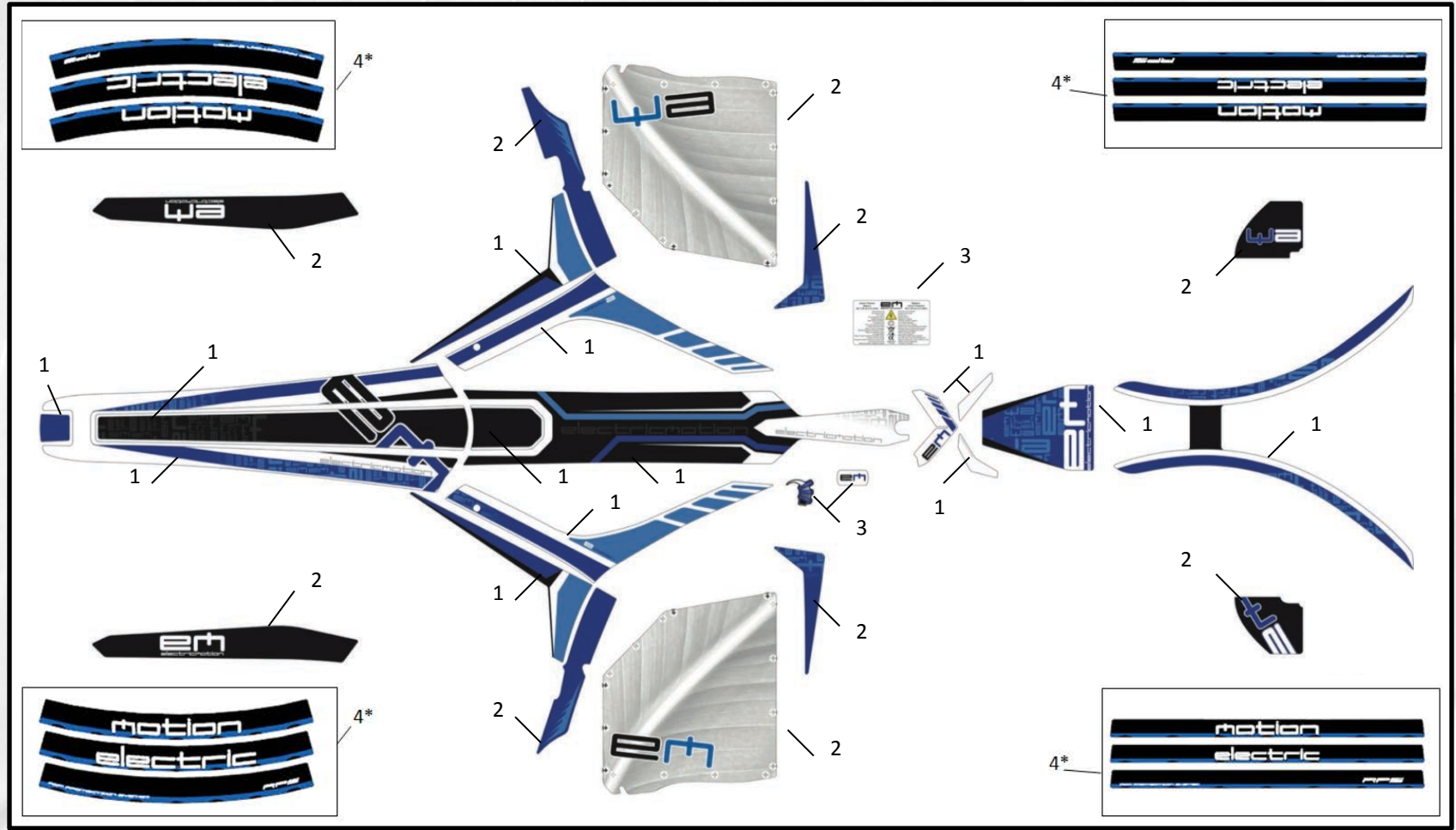


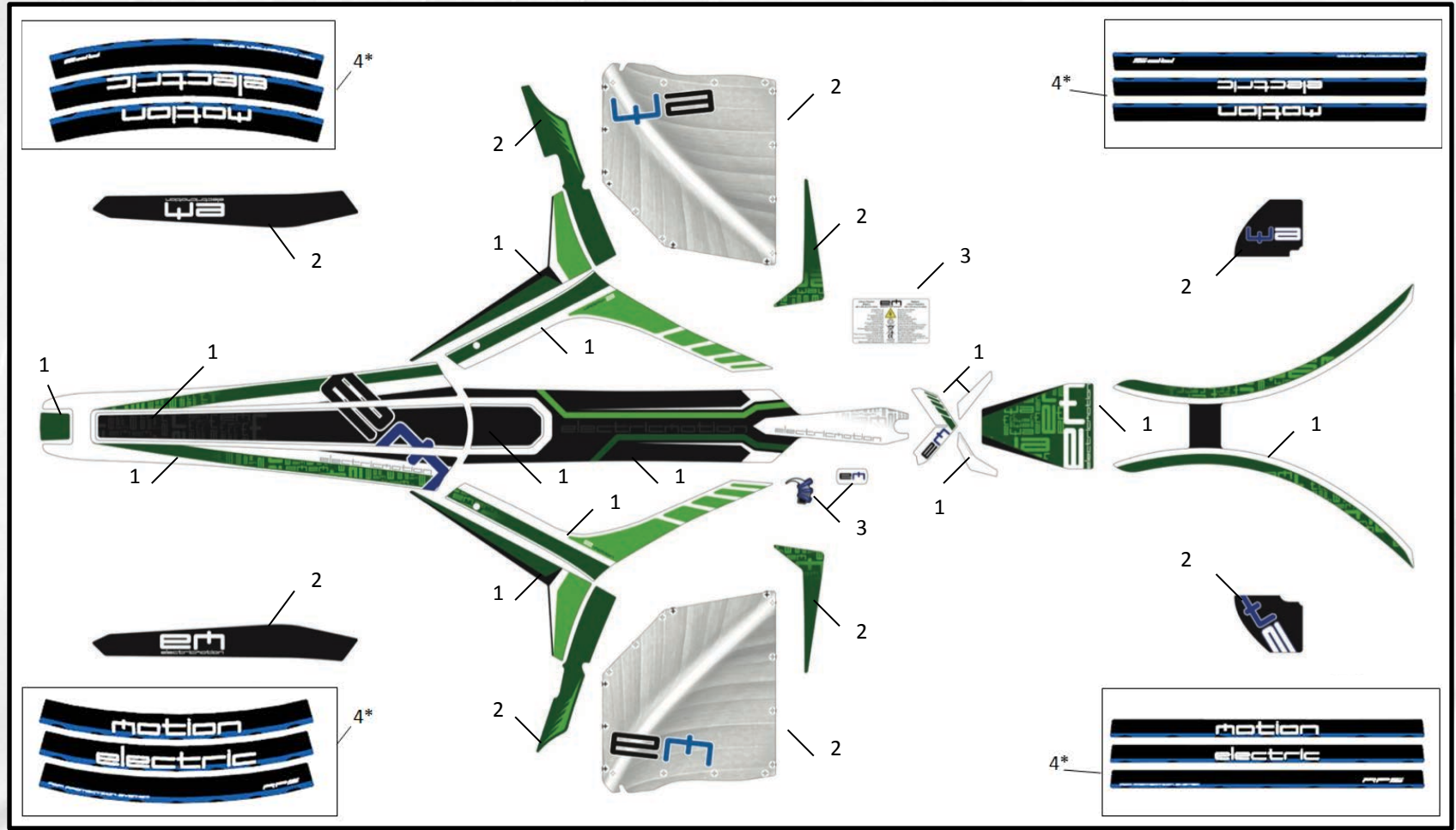
N°	REFERENCE	FRANCAIS	ENGLISH	QUANTITY
1	TL01J-70104-00-00	PLAQUE AVANT EM	RACING FRONT HEAD EM	1
2	TL01J-70103-00-00	GARDE BOUE AVANT TRIAL	FRONT BLACK MUDGUARD	1
3	0V100-05012-00-00	VIS BHCE 5 X 12	SCREW BHCE 5 X 12	2
4	TL01J-20110-00-00	PONTET GARDE-BOUE AVANT	MUDGUARD HOLDER	1
5	0E06C-15010-00-00	ENTRETOISE PONTET	MUDGUARD HOLDER BUSHING	4
6	0V040-06020-00-00	VIS BHC M6 X 20	SCREW BHC M6 X 20	4
7	TL01J-70105-00-00	PROTEGE DISQUE AVANT NOIR	FRONT BLACK DISC PROTECTOR	1
8	0V010-08060-00-00	VIS CHC 8 X 60	SCREW CHC 8 X 60	1
9	0V010-08035-00-00	VIS CHC 8 X 35	SCREW CHC 8 X 35	1
10	TL01J-70203-00-00	PROTEGE BATTERIE AVANT	FRONT BATTERY PROTECTOR	1
11	TL01H-70101-00-00	CACHE AVANT PAIRE	LATERAL BATTERIE COVER SET	1
12	0V040-05016-00-00	VIS BHC 5 X 16	SCREW BHC 5 X 16	6
13	0V040-05010-00-00	VIS BHC 5X 10	SCREW BHC 5 X 10	4
14	0EC08-05000-00-00	ECROU NYLSTOP M 5	NUT NYLSTOP M 5	6
15	0SL01-11018-7E-00	SILENTBLOCK	SILENTBLOCK	7
16	0E06E-0906E-14-00	ENTRETOISE EPAULE	SPECIAL SPACER	3
17	0E06E-0906F-00-00	ENTRETOISE	SILENTBLOCK SPACER	4
18	TL01J-70201-00-00	CAPOT	COVER	1
19	TL01J-60311-00-00	PROTEGE POMPE FREIN ARRIERE	REAR PUMP PLASTIC PROTECTOR	1
20	TL01J-70302-00-00	GARDE BOUE ARRIERE	REAR MUDGUARD	1
21	0V100-06016-00-00	VIS BHCE 6 X 16	SCREW BHCE 6 X 16	2

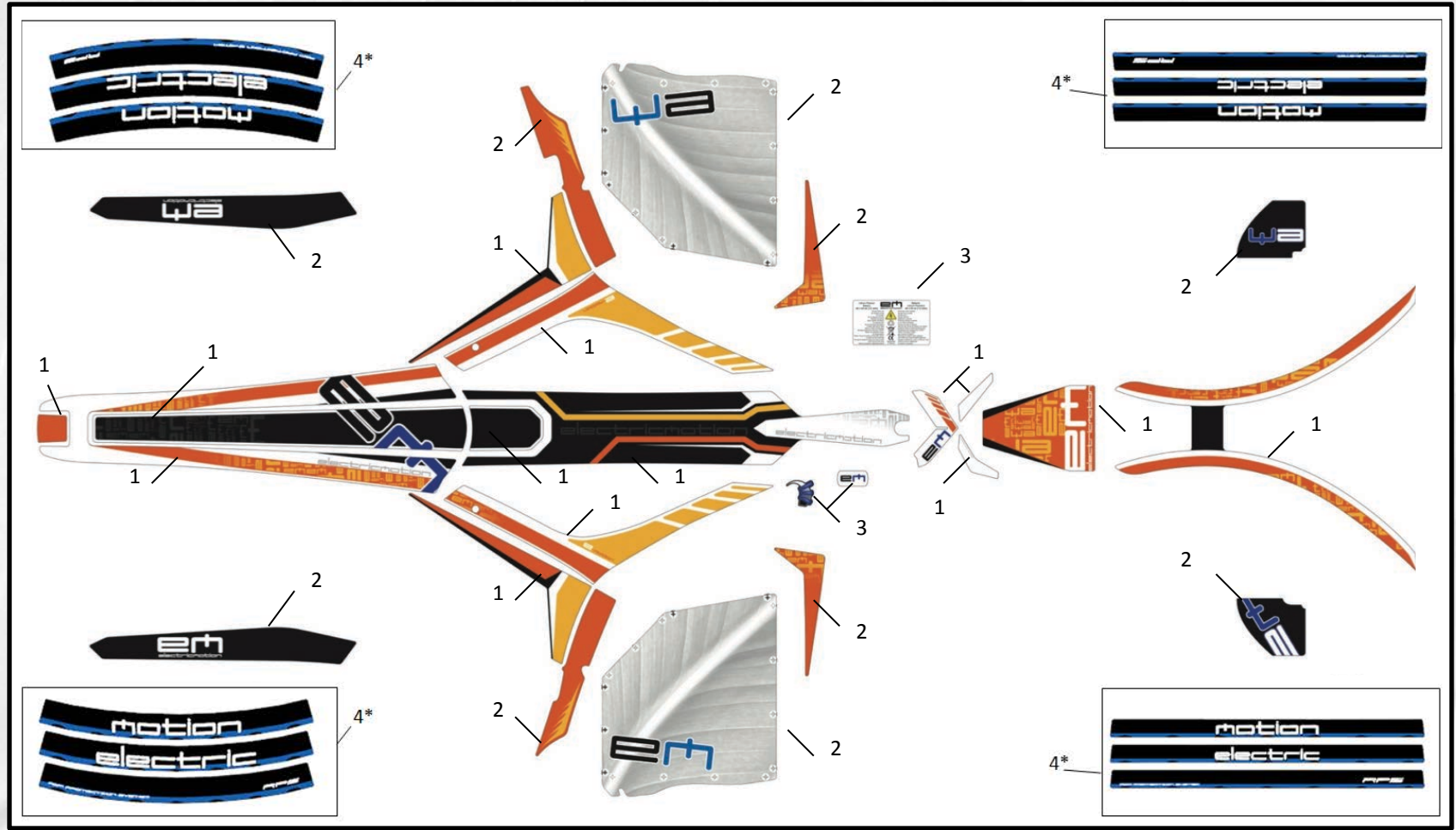


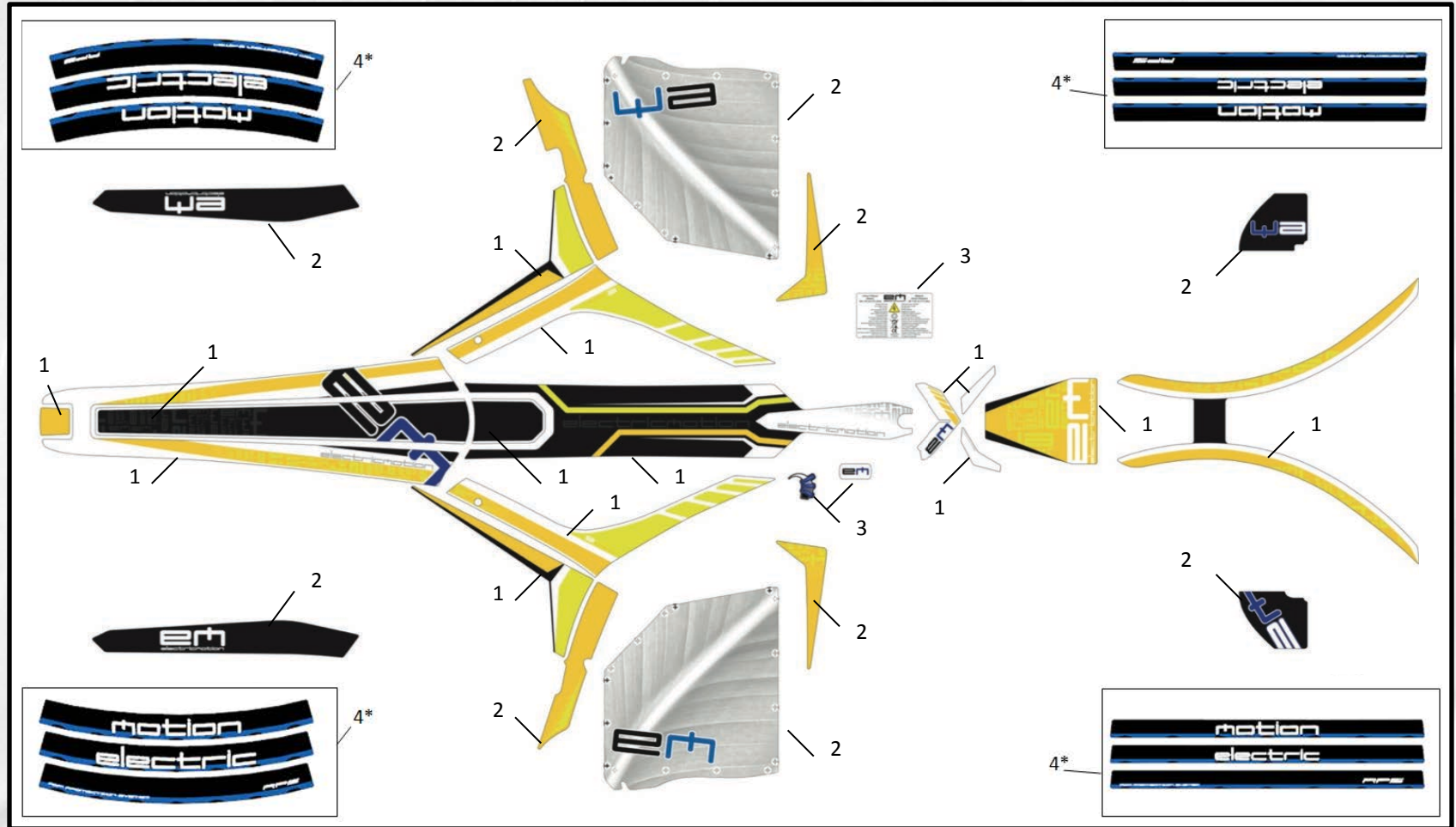
N°	REFERENCE	FRANCAIS	ENGLISH	QUANTITY
22	0V100-06025-00-00	VIS BHCE 6 X 25	SCREW BHCE 6 X 25	1
23	TL01J-60301-00-00	PASSAGE DE ROUE	UNDERTRAY	1
24	0E06B-10010-00-00	ENTRETOISE PLASTIQUE NOIRE	BLACK PLASTIC SPACER	2
25	TL01J-60302-00-00	BAVETTE	RUBBER PROTECTOR	1
26	0RV01-3B008-00-N0	RIVET M 3 NOIR	BLACK RIVET M 3	3
27	0R001-3B009-0H-00	RONDELLE M 3	WASHER M 3	3
28	TL01H-70301-00-00	CACHE ARRIERE PAIRE	REAR COVER SET	1
29	0V040-05020-00-00	VIS BHC 5 X 20	SCREW BHC 5 X 20	4
30	TL01H-70202-00-00	CARTER TRANSMISSION	TRANSMISSION COVER	1
31	TL01J-60310-00-00	PROTECTION MOTEUR	ENGINE PROTECTOR	1
32	0R001-8D018-1E-00	RONDELLE M 8	WASHER M 8	2
33	0EC08-08000-00-00	ECROU NYLSTOP M 8	NUT NYLSTOP M 8	1
34	0V010-03010-00-00	VIS CHC 3 X 10	SCREW CHC 3 X 10	4
35	0V100-05016-00-00	VIS BHCE M5 X 16	SCREW BHCE M5 X 16	3
36	0R001-5C015-1C-00	RONDELLE M5 LARGE	M5 LARGE WASHER	4
37	0ECWE-05015-00-00	ECROU WELNUT M 5	RUBBER WELNUT M 5	2
38	0V040-06050-00-00	VIS BHC M6 X 50	SCREW BHC M6 X 50	1
39	0ET20-6C025-12-N0	TAMPON CAPOT	STOP CAPOT	1
40	0E030-06015-N0-00	ENTRETOISE M6 X 30	SPACER M6 X 30	1
41	0EC08-06000-00-00	ECROU NYLSTOP M6	ECROU NYLSTOP M6	1
42	0CT01-05096-00-00	CLOU TARAUDE	NAIL CLIP	2













N°	REFERENCE	FRANCAIS	ENGLISH	QUANTITY
1	TL01K-80101-00-01	JEU STICKERS BRILLANT EM - BLEU	GLOSSY STICKERS SET - BLUE	1
2	TL01K-80102-00-01	JEU STICKERS 3D EM - BLEU	3D STICKERS SET EM - BLUE	1
3	TL01K-80104-00-01	STICKERS INFORMATIONS	INFORMATION STICKER	1
4*	TL01K-80103-00-01	STICKERS ROUES - BLEU	WHEEL STICKERS - BLUE	1

N°	REFERENCE	FRANCAIS	ENGLISH	QUANTITY
1	TL01K-80101-00-02	JEU STICKERS BRILLANT EM - VERT	GLOSSY STICKERS SET - GREEN	1
2	TL01K-80102-00-02	JEU STICKERS 3D EM - VERT	3D STICKERS SET EM - GREEN	1
3	TL01K-80104-00-01	STICKERS INFORMATIONS	INFORMATION STICKER	1
4*	TL01K-80103-00-01	STICKERS ROUES - BLEU	WHEEL STICKERS - BLUE	1

N°	REFERENCE	FRANCAIS	ENGLISH	QUANTITY
1	TL01K-80101-00-03	JEU STICKERS BRILLANT EM - ORANGE	GLOSSY STICKERS SET - ORANGE	1
2	TL01K-80102-00-03	JEU STICKERS 3D EM - ORANGE	3D STICKERS SET EM - ORANGE	1
3	TL01K-80104-00-01	STICKERS INFORMATIONS	INFORMATION STICKER	1
4*	TL01K-80103-00-01	STICKERS ROUES - BLEU	WHEEL STICKERS - BLUE	1

N°	REFERENCE	FRANCAIS	ENGLISH	QUANTITY
1	TL01K-80101-00-04	JEU STICKERS BRILLANT EM - JAUNE	GLOSSY STICKERS SET - YELLOW	1
2	TL01K-80102-00-04	JEU STICKERS 3D EM - JAUNE	3D STICKERS SET EM - YELLOW	1
3	TL01K-80104-00-01	STICKERS INFORMATIONS	INFORMATION STICKER	1
4*	TL01K-80103-00-01	STICKERS ROUES - BLEU	WHEEL STICKERS - BLUE	1

\* OPTION

\* OPTIONAL





40 rue des Gardians  
ZAC VIA DOMITIA  
34160 CASTRIES – FRANCE

Tel : +33 (0) 4 67 41 10 90  
Mail : [info@electric-motion.fr](mailto:info@electric-motion.fr)



[www.electric-motion.fr](http://www.electric-motion.fr)

