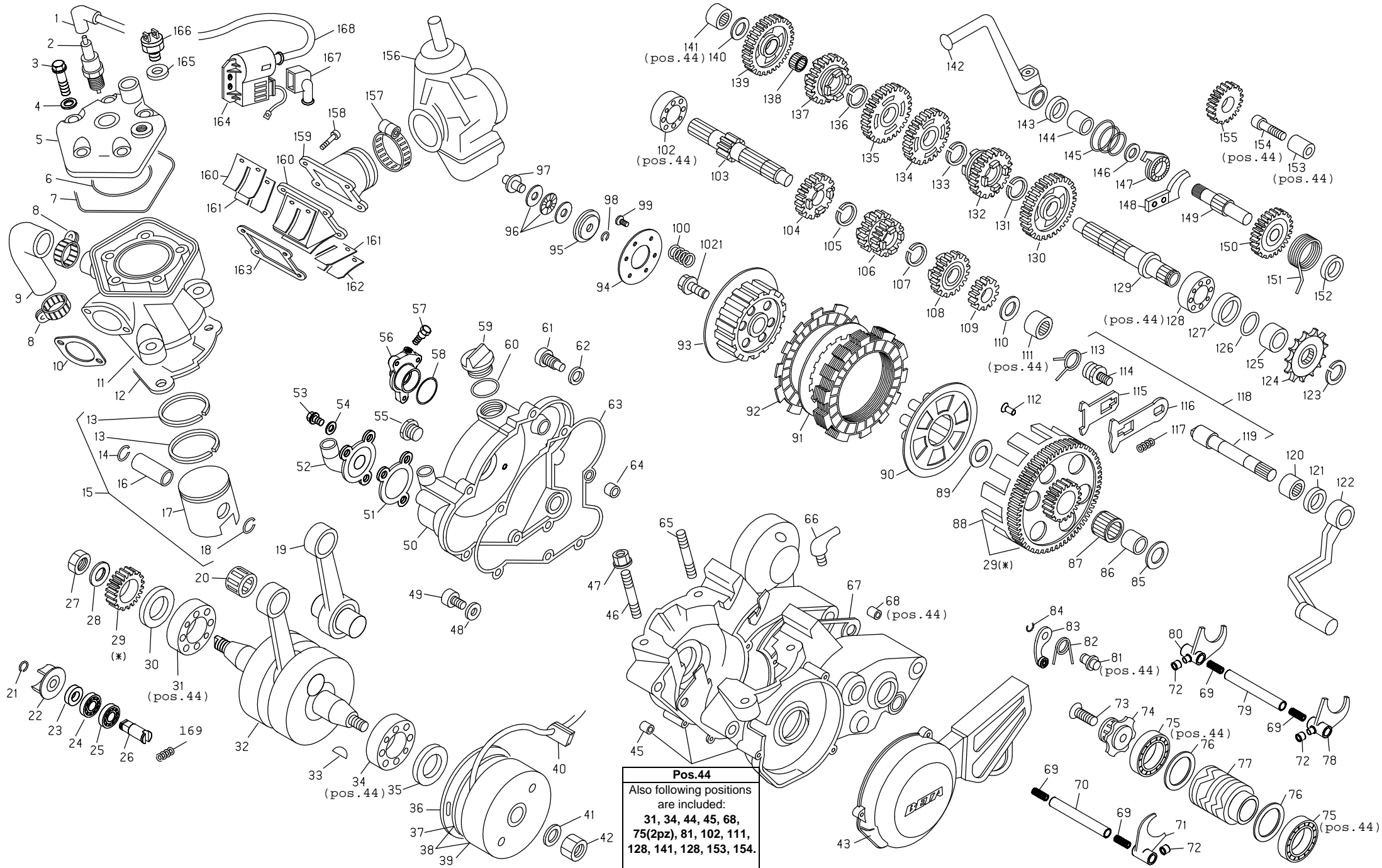




REV 80cc 2008

23/11/07





Pos.44
 Also following positions
 are included:
**31, 34, 44, 45, 68,
 75(2pz), 81, 102, 111,
 128, 141, 128, 153, 154.**

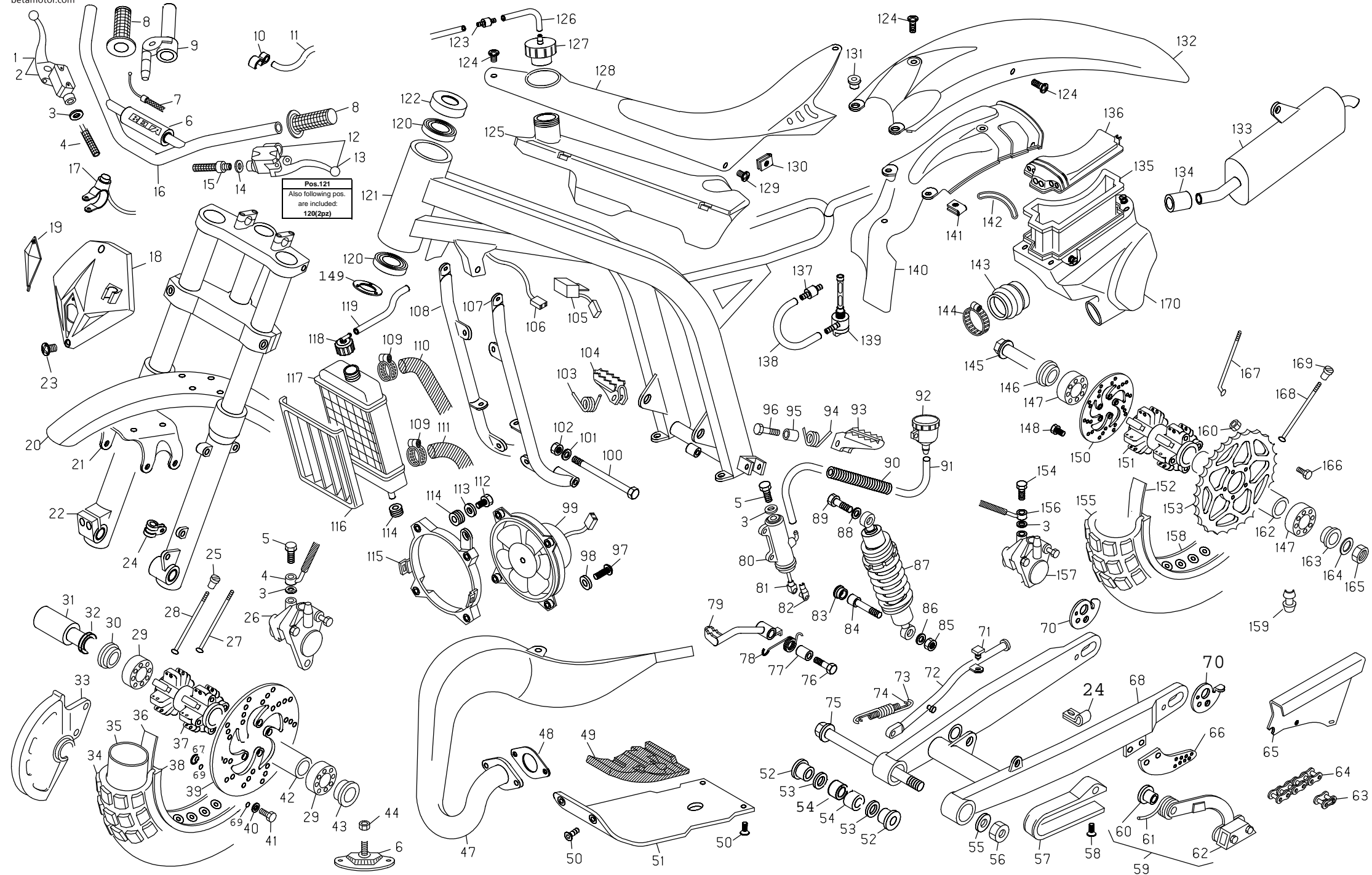
N.	CODE	DESCRIPTION
1	27-13515	SPARK PLUG PROTECTOR
2	12-25200	SPARK PLUG
3	11-52425	SPECIAL BOLT
4	27-45100	COPPER WASHER 7x12x0.5
5	29-12025-0-57	CYLINDER HEAD
6	10-67110	SEAL VYTON 53.70x57.26x1.78
7	10-66960	SEAL 94.97x98.53x1.78
8	15-15228	CLAMP 14/24
9	29-15910	COOLING HOSE
10	16-80321	GASKET
11	12-52463-0-57	CYLINDER
12	16-61750	CYLINDER CRANKCASE GASKET
13	28-60180	PISTON RING
14	10-42010	CIRCLIP
15	25-80270-8	COMPL. PISTON
16	28-93620	PISTON PIN
17	25-80270	PISTON
18	10-42010	CIRCLIP
19	11-03716-8	CONNECTING ROD ASSY
20	16-11500	NEEDLE BEARING
21	28-22660	SEEGER 9E
22	31-21831	PUMP FAN
23	10-44610	OIL SEAL 10x18x4
24	12-93400	SCH. BALL BEARING 10x19x5
25	12-93390	BALL BEARING 10x19x5
26	10-27752	WATER PUMP SHAFT
27	13-28951	SPECIAL NUT 14x1.25x5
28	27-61550	WASHER 14x20x1
29	29-07303-8	PRIMARY DRIVE
30	10-64111	OIL SEAL VYTON 20x35x6
31	12-99022	BALL BEARING 20x52x15
32	10-00682	CRANKSHAFT
33	12-46000	WOODRUFF KEY
34	12-99022	BALL BEARING 20x52x15
35	10-64111	OIL SEAL VYTON 20x35x6
36	25-60163	STATOR PLATE
37	28-97807	FLYWHEEL STATOR
38	31-03263	ELECTRIC FLYWHEEL
39	27-00959	FLYWHEEL ROTOR
40	16-33560	GROMMET
41	27-52500	SPECIAL WASHER
42	13-25100	SPECIAL NUT
43	12-70083-0-57	MAGNETO COVER
44	12-06232-8	CRANKCASE
45	16-41510	DOWEL 12
46	25-98050	STUD BOLT 8x41
47	13-17121	SPECIAL NUT M8
48	16-50511	COPPER WASHER 10x15x2
49	11-58020	SPECIAL BOLT
50	12-62095-0-33	CLUTCH COVER
51	16-74930	GASKET
52	12-67941-0-33	PUMP COVER
53	31-30510	SPECIAL BOLT
54	27-40490	COPPER WASHER 6x10
55	29-10030	WARNING OIL PLUG
56	12-91895-0-33	CLUTCH COVER
57	31-83530	SPECIAL SCREW
58	10-66750	OIL SEAL
59	29-09600	FEEDING OIL PLUG

N.	CODE	DESCRIPTION
60	10-66340	SEAL 16x3
61	31-88500	SCREW
62	16-49100	GASKET 8x12x0.5
63	16-71520	CLUTCH COVER GASKET
64	16-37010	DOWEL 9x15
65	25-98050	STUD BOLT 8x44
66	27-23470	BREATHER PIPE HOSE
67	16-55030	CRANKCASE GASKET
68	16-41530	DOWEL 17
69	22-65015	SPRING
70	25-51011	SELECTOR PIN
71	15-64031	SELECTOR FORK 5-6
72	11-29035	SELECTOR FORK BUSH
73	31-30510	SCREW 6x30
74	12-19122	TOP CAM
75	12-99405	BALL BEARING 25x37x7
76	27-73695	SPECIAL WASHER
77	12-19113	CAM
78	15-64012	SELECTOR FORK 1-4
79	25-51021	SELECTOR PIN
80	15-64011	SELECTOR FORK 2-3
81	25-54430	PIN
82	22-39581	LOCATING SPRING
83	21-17011	LOCATING LEVER
84	28-22700	SEEGER 10E
85	27-71100	SPECIAL WASHER 17x30x1.5
86	11-27120	STEEL BUSH
87	16-17280	NEEDLE BEARING 21.25.17
88	12-20770	CLUTCH HOUSING
89	27-71100	SPECIAL WASHER 17x30x1.5
90	12-29593	PRESSURE PLATE
91	13-38130	CLUTCH PLATE
92	13-43210	STEEL CLUTCH PLATE
93	29-09613	CLUTCH CENTER
94	13-42050	SPRINGS BLOCKING PLATE
95	28-16820	CLUTCH DRIVE PIN HOLDER
96	16-11250	NEEDLE BEARING 6x19x2
97	25-52991	CLUTCH DRIVE PIN
98	28-22610	SEEGER 6E
99	31-34400	SCREW 6x20
100	22-65093	CLUTCH SPRING
101	11-59150	SPECIAL BOLT
102	12-95500	BALL BEARING 17x40x9
103	10-23520-8	LAYSHAFT
104	18-38412-8	5ND GEAR - LAYSHAFT
105	28-24950	SEEGER 17 SW
106	18-37652-8	3RD/4TH GEAR - MAINSHAFT
107	28-24950	SEEGER 17 SW
108	18-38742-8	6TH GEAR - MAINSHAFT
109	18-34110-8	2ND GEAR - MAINSHAFT
110	27-60500	SPECIAL WASHER
111	11-22250	NEEDLE BEARING 12x19x12
112	27-31640	RIVET 5x9
113	22-72030	SELECTOR SPRING
114	25-54410	PIN FOR RETURNING SPRING
115	31-20980-8	ROLLING SHIFT CONTR. FORK
116	31-20975	SHIFT CONTROL FORK
117	22-68010	SHIFT CONTROL SPRING
118	10-12010-8	SELECTOR SHAFT ASSY

N.	CODE	DESCRIPTION
119	11-22200	NEEDLE BEARING 12x18x12
120	10-12010	SELECTOR SHAFT
121	10-47500	OIL SEAL 12x20x5
122	21-21220	SHIFT LEVER
123	28-25410	SEEGER AS 20E
124	25-61050	SPROCKET Z.11
125	13-55250	SPROCKET SPACER
126	10-66350	SEAL 18.77x1.78
127	10-64700	OIL SEAL 26x35x7
128	12-98000	BALL BEARING 20x42x12
129	10-28051-8	LAYSHAFT
130	18-52030-8	2ND GEAR - LAYSHAFT
131	28-25410	SEEGER AS 20E
132	18-67142-8	6TH GEAR - LAYSHAFT
133	28-25410	SEEGER AS 20E
134	18-61500-8	3RD GEAR - LAYSHAFT
135	18-64100-8	4TH GEAR - LAYSHAFT
136	28-25410	SEEGER AS 20E
137	18-66442-8	5TH GEAR - LAYSHAFT
138	16-12650	NEEDLE BEARING
139	18-43023-8	1ST GEAR - LAYSHAFT
140	27-60500	WASHER 11x25x1
141	11-22250	NEEDLE BEARING 12-19-12
142	21-55153	KICKSTARTER LEVER
143	10-52010	OIL SEAL 14x24x7
144	11-31020	SINTERED BUSH
145	22-36570	CONICAL SPRING
146	27-61550	WASHER 14x20x1
147	22-14090-8	KICKSTARTER SLEEVE
148	25-57945	KICKSTARTER PLATE
149	10-15120-8	STARTER SHAFT
150	18-14620-8	STARTER GEAR
151	22-78250	KICKSTARTER SPRING
152	13-48080	SPACER
153	25-43910	DRIVE GEAR PIN
154	31-31050	SCREW 6x15
155	18-67810	GEAR
156	12-05068	CARBURETOR
157	15-15370	CLAMP
158	31-34510	SCREW 6x20
159	27-23051	INLET MANIFOLD
160	31-02140	REED VALVE
161	25-59670	VALVE'S BLADE
162	21-15360	VALVE'S PLATE
163	16-92550	VALVE'S GASKET
164	11-20638	H.T. COIL
165	16-49500	GASKET 8x20x1
166	29-11960	THERMOSTAT
167	12-30460	H.T. COIL RUBBER
168	12-08280	COIL SCREENED CABLE

SUPPLEMENTARY PARTS LIST

12-00686-8	GEARBOX
22-05070-8	COMPLETE KICKSTARTER
28-06887-8	OIL SEAL SET
28-08070-8	GASKET SET





moped REV 80cc 2008

cod.3835216.000 23/11/2007

tav. 01

POS.	NUMER	DESCRIPTION
1	21-27103	FRONT BRAKE LEVER ONLY
2	21-02065	FRONT BRAKE LEVER
3	16-50510	COPPER WASHER 10X15X1
4	29-09123	FRONT BRAKE HOSE
5	11-65040	SPEC. BOLT BRAKE TUBE
6	16-23593-0-57	HEADLEBAR RUBBER
7	29-21977-0-52	THROTTLE CABLE
8	22-18531	GRIPS
9	12-55091	THROTTLE CABLE ONLY
10	28-98600	BEATHER PIPE BRACKET
11	29-15811	TUBE 5X9
12	21-02431	CLUTCH LEVER
13	21-27084	CLUTCH LEVER ONLY
14	16-50510	COPPER WASHER
15	29-09106	CLUTCH TRANSMISSION
16	22-20466	HANDLEBAR
17	18-84983	SWITCH
18	22-28698-0-97	HEADLEBAR MASK ASSY
19	15-01823-1-97	COVER, HEADLIGHT
20	25-15211-0-97	FRONT FENDER
21	28-98277	FRONT FENDER BRACKET
22	15-08135	FRONT FORK
23	31-22570	SCREW 3X12
24	15-14655	CLAMP
25	23-10100	NIPPLES
26	25-03059	FRONT BRAKE PLIERS
27	27-24192	FRONT SPOKE 3X254
28	27-24193	FRONT SPOKE 3X256
29	12-98010	BALL BEARING 20.40.12
30	13-85764	WHEEL HUB RH SPACER
31	25-56813	FRONT WHEEL AXLE
32	27-73620	WASHER
33	12-88265-1-59	DISK BRAKE COVER SPACER
34	12-79400	TIRE 2,75 X 21
35	12-16410	TUBE 2,75X21
36	15-38200	FLAP 21X25
37	22-07194-0-57	FRONT HUB
38	12-42531	FRONT RIM 21
39	13-39279	FRONT BRAKE DISK
40	27-57510	WASHER
41	11-49513	BOLT 6X25
42	13-62703	WHEEL HUB INNER SPACER
43	13-85764	WHEEL HUB LH SPACER
44	13-17120	NUT
45	15-17500	TIRE FASTENER
47	22-03344	MUFFLER
48	16-80321	COPPER
49	16-23342	BUMPER RUBBER
50	31-63930	SCREW 8X20
51	12-32172	BUMPER
52	13-49201	SPACER
53	10-41195	DUST COVER RING
54	11-22850	BUSH 20X26X12
55	27-55600	WASHER

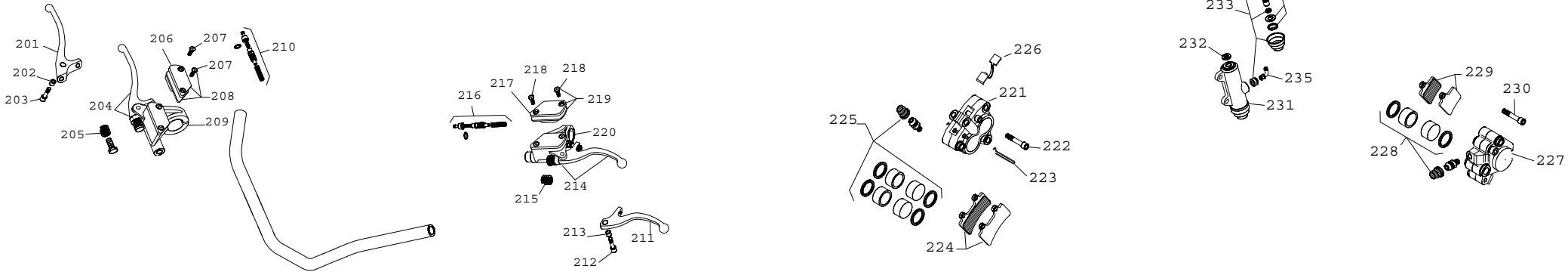
POS.	NUMER	DESCRIPTION
56	13-21150	NUT
57	29-10090-0-52	SLIDING BLOCK
58	31-30500	SCREW 6X12
59	25-25970	SLIDING BLOCK ASSY
60	13-46314	SPACER
61	22-81111	SPRING
62	16-22500	RUBBER SLIDING BLOCK
63	22-11180	CONNECTION LINK
64	12-08050	CHAIN
65	12-84771-0-52	CHAINGUARD
66	25-98955	SPROCKET PROTECTION
67	13-62251	SPACER
68	15-49634-0-33	SWINGING ARM
69	22-31980	CUP SPRING
70	29-11860	CHAIN ADJUSTER
71	16-29490	RUBBER STAND
72	12-39972	STAND
73	22-47022	STAND SPRING
74	22-47019	STAND SPRING
75	25-55725	S/ARM SPINDLE
76	11-55450	BOLT 8X30
77	11-31031	SINTERED BUSH
78	22-80510	SPRING BRAKE LEVER
79	25-28096	BRAKE LEVER
80	25-91188	REAR BRAKE PUMP
81	10-84020	REAR BRAKE ROD
82	28-93130	BREAKER ROD LOCKING PLATE
83	29-10593	RUBBER PLUG
84	31-65510	SCREW 10X55
85	13-19010	NUT
86	27-54000	WASHER
87	10-03725	SHOCK ABSORBER
88	27-54000	SELF-BLOCKING NUT
89	11-63000	BOLT 10X50
90	22-55535	SPRING
91	29-15810	TUBE 5X9
92	28-05100	BREKE OIL TANK
93	25-32530	LH FOOTREST
94	22-62020	LH FOOTREST SPRING
95	13-46530	SPACER
96	11-55700	BOLT 8X45
97	31-27510	SCREW 4X20
98	27-34500	WASHER
99	14-01040	ELECTRIC FAN
100	11-57990	BOLT 8X180
101	27-49500	WASHER 8X18
102	13-17020	NUT 8 SELF BLOCKING
103	22-62010	FOOTREST SPRING
104	25-32520	RH FOOTREST
105	27-28092	REGULATOR
106	18-01851	ELECTRIC EQUIPMENT
107	29-11564-0-26	LH CONNECTING FRAME ROD
108	29-11563-0-26	RH CONNECTING FRAME ROD
109	15-15230	CLAMP 14-24
110	29-15736	RADIATOR PIPE

POS.	NUMER	DESCRIPTION
111	29-15735	RADIATOR PIPE
112	11-46100	BOLT 5X8
113	27-36000	WASHER
114	28-91500	SILENT BLOCK
115	28-98012-0-59	ELECTRIC FUN BRACKET
116	16-45538-1-67	RADIATOR GRILL
117	27-23641	RADIATOR
118	29-01821	RADIATOR PLUG
119	29-15811	PIPE 5X9
120	12-98300	CONICAL BEARING 20X42X15
121	29-11570-8-26	FRAME
122	25-98670	PROTECTION BEARING
123	31-02170	TANK VALVE
124	31-30520	SCREW 6X16
125	28-06071	FUEL TANK
126	29-15811	PIPE 5X9
127	29-00525-0-59	FUEL TANK PLUG
128	12-88517-8-51	FUEL TANK COVER ASSY
129	31-30520	SCREW 6X16
130	25-60310	PLATE FIXING M6
131	13-62000	SPACER
132	25-19591-8-97	REAR FENDER ASSY
133	28-91790	SILENCER
134	22-12120	RUBBER SLEVE
135	15-25205	AIR FILTER
136	12-73181	FILTER COVER
137	15-24651	GASOLINE FILTER
138	29-15811	PIPE 5X9
139	27-81082	PETCOCK
140	25-24655-8-59	WHEEL HOUSE
141	25-60310	PLATE FIXING M6
142	14-40040	ELESTIC RUBBER
143	22-13576	RUBBER SLEVE
144	15-15360	CALMP 25-45
145	25-55764	REAR WHEEL AXLE
146	13-87774	WHEEL HUB RH SPACER
147	12-98010	BALL BEARING 20X42X12
148	11-48025	BOLT 6X16
149	25-98752	LOWER BEARING PROTECTION
150	13-39316	REAR BRAKE DISK
151	22-08051-0-57	REAR HUB
152	15-38205	CLAMP 17-18X25
153	12-89588	REAR SPROCKET
154	31-96825	SPECIAL SCREW
155	12-81470	TIRE 4.00X18
156	29-09135	WASHER 8X18
157	25-03068	REAR BRAKE PLIERS
158	12-42921	REAR RIM 18
159	31-10001	TUBLES VALVE
160	13-17123	NUT M8
161		
162	13-62717	INNER REAR HUB SPACER
163	13-85774	WHEEL HUB LH SPACER
164	27-55600	WASHER 8X24
165	13-29602	NUT M16X1,5

POS.	NUMER	DESCRIPTION
166	31-64032	SCREW 8X20
167	27-24203	SPOKE 3,5 214
168	27-24204	SPOKE 3,5 222
169	23-10110	NIPPLES
170	28-12692	AIR FILTER BOX

SUPPLEMENTARY PARTS LIST

20-13001	KIT, DIGITAL FLYWHEEL
12-43060	SPARK KEY
13-34066	DECALS SET -ASSY-
13-33821-1	FRONT FENDER DECALS
13-34066-3	REAR FENDER DECALCS
13-34066-4	FUEL TANK COVER DECALCS
13-33821-3	HEADLIGHT MASK DECALC
13-34066-6	COMPLETELY DECALCS
27-02602-0-57	FRONT WHEEL
27-04852-0-57	REAR WHEEL
37-42862	ENGINE, REV 80



Pos	Number	Description	Pos	Number	Description
201	21-27103	Front brake lever only	219	20-05074	Oil seal cover for pump
202	11-26465	Bush	220	12-55016	Fixing rest clutch lever
203	31-96818	Screw	221	25-03059	Brake pliers
204	21-02065	Front brake lever	222	11-70521	Special bolt
205	22-38701	Front brake lever adj. spring	223	22-32206	Brake pads spring for pliers
206	12-68107	Oil tank cover	224	25-25352	Brake pads
207	31-23410-0-52	Screw	225	20-02714	Piston e oil seal for pliers
208	20-05075	Oil seal cover for pump	226	25-98915	Brake pliers protection pads
209	12-55016	Fixing rest clutch lever	227	25-03068	Pliers front brake
210	20-05083-8	Piston kit for pump	228	20-02722	Piston e oil seal for pliers
211	21-27084	Clutch lever only	229	25-25373	Brake pads
212	31-96818	Screw	230	11-70520	Special bolt
213	11-26465	Bush	231	25-91188	Rear brake pump
214	21-02431	Clutch lever	232	16-50510	Gasket 10x15x1 copper
215	22-38701	Front brake lever adj. spring	233	20-08262	Kit (spare-part)brake pump
216	20-05083-8	Piston kit for pump	234	20-08257	Pump piston assy
217	12-68106	Oil tank cover	235	27-23424	Rear pump 90°raccord
218	31-23410-0-52	Screw			