

TriTech

MADE IN THE U.S.A.

T7

Owners Manual 302-116

REV. 8/2022

PROFESSIONAL AIRLESS SPRAYER

MAXIMUM WORKING PRESSURE 3300PSI 227BAR 22.7 MPa

VOLTS	CYCLES	AMPS	PHASE
110V	50 / 60	13	SINGLE
220V	50 / 60	7	SINGLE

FOR THE APPLICATION OF ARCHITECTURAL PAINTS AND COATINGS

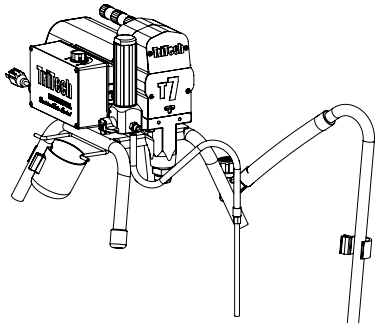


TriTech Industries, Inc., 610 Rahway Avenue, Union NJ 07083
PH: 908-378-1080 FAX: 908-378-1659 www.tritechindustries.com

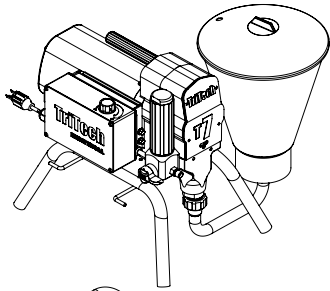


!! SAFETY AND OPERATING INSTRUCTIONS INSIDE !!

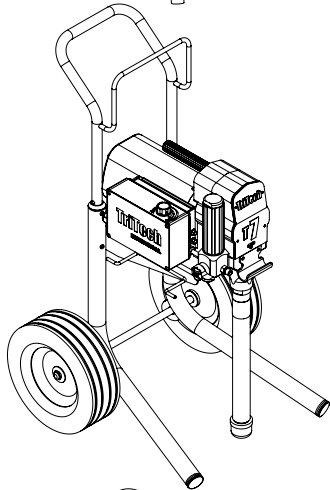
Read all warnings and safe operating information inside and retain this manual for future reference.



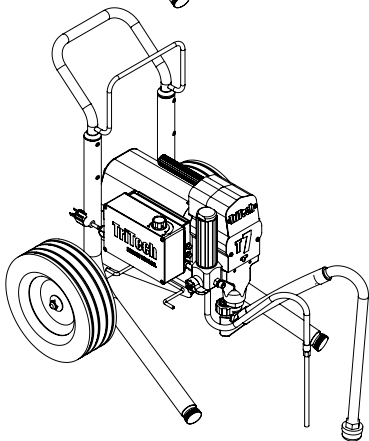
600-830	T7 STAND COMPLETE 110V
600-840	T7 STAND COMPLETE 220V
600-852	T7 STAND COMPLETE 110V UK
600-868	T7 STAND COMPLETE 220V AUS



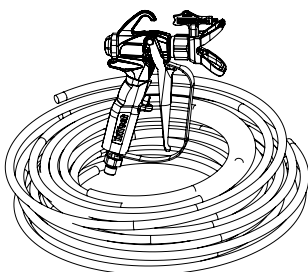
600-832	T7 HOPPER COMPLETE 110V
600-842	T7 HOPPER COMPLETE 220V
600-869	T7 HOPPER COMPLETE 220V AUS



600-834	T7 HI CART COMPLETE 110V
600-844	T7 HI CART COMPLETE 220V
600-853	T7 HI CART COMPLETE 110V UK
600-870	T7 HI CART COMPLETE 220V AUS



600-836	T7 LO CART COMPLETE 110V
600-846	T7 LO CART COMPLETE 220V
600-858	T7 LO CART COMPLETE 110V UK
600-871	T7 LO CART COMPLETE 220V AUS



501-150	T380 AIRLESS SPRAY GUN
200-517	T93R CONTRACTOR TIP
200-999	CONTRACTOR GUARD
400-114	50' X 1/4" AIRLESS HOSE
120-625	5000 PSI GAUGE KIT

IMPORTANT SAFETY INFORMATION

SAVE THESE INSTRUCTIONS -- To reduce the risk of fire or explosion, electrical shock and the injury to persons, read and understand all instructions. Become familiar with setup and operation before using this equipment.

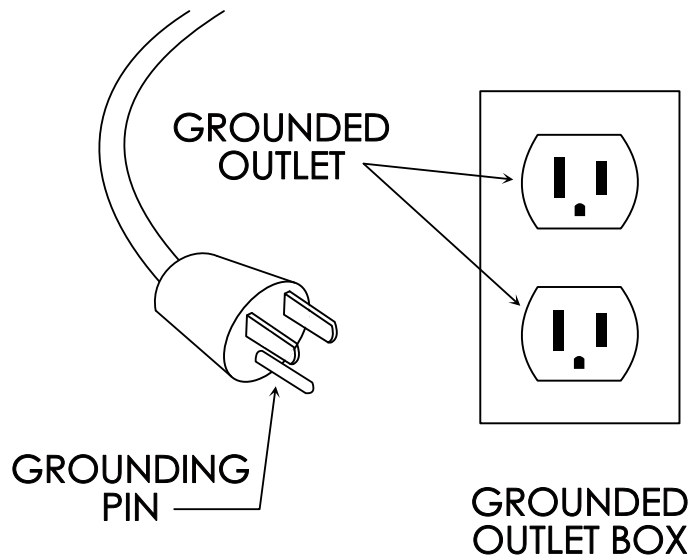
GROUNDING

This product must be grounded. In the event of an electrical short circuit, grounding reduces the risk of electric shock by providing an escape wire for the electric current. This product is equipped with a cord having a ground wire with an appropriate grounding plug. The plug must be plugged into an outlet that is properly installed and grounded in accordance with all local codes and ordinances. Ensure ground prong is intact on equipment power cord, and if used ensure extensions cord ground prong is intact.

WARNING – Improper installation of the grounding plug may result in a risk of electric shock. When repair or replacement of the cord or plug is required, do not connect the grounding wire to either flat blade mains terminal. The wire with the green or green/yellow insulation is the grounding wire.

Check with a qualified electrician or serviceman when the grounding instructions are not completely understood, or when in doubt as to whether the product is properly grounded. Do not modify the plug provided. If plug will not fit the outlet have the proper outlet installed by qualified electrician.

Products that operate on a nominal 110VAC circuit have a grounding plug similar to the illustrated below. Only connect the product to an outlet having the same configuration as the plug. Do not use a 2 blade adapter with this product.



IMPORTANT SAFETY INFORMATION

WARNING — To reduce the risk of fire or explosion.

- Do not spray flammable or combustible material near an open flame or source of ignition such as cigarettes, motors, plastic drop cloths and electrical equipment.
- Do not plug or unplug power cord when flammable fumes are present.
- If there is a static spark or you feel a shock, stop use immediately. Do not use equipment until you identify and correct the problem.
- Do not spray or clean using materials with a flashpoint below 100° F (38° C).
- Paint or solvent flowing through the equipment is able to result in static electricity. Static electricity creates a risk of fire or explosion in the presence of paint or solvent fumes. All parts of the spray system, including the pump, hose assembly, spray gun, and objects in and around the spray area shall be properly grounded to protect against static discharge and sparks. Use only conductive or grounded high-pressure airless paint spray hoses specified by TriTech Industries, Inc.
- Verify that all containers and collective systems are grounded to prevent static discharge.
- Connect to a grounded outlet and use grounded extension cords. Do not use a 2 to 3 adapter.
- Do not use a paint or a solvent containing halogenated hydrocarbons.
- Keep spray area well ventilated. Keep a good supply of fresh air moving through the area. Keep pump assembly in a well ventilated area. Do not spray pump assembly.
- Do not smoke in the spray area.
- Do not operate light switches, engines, or similar spark producing products in the spray area or while flammable fumes are present.
- Keep area clean and free of paint or solvent containers, rags, and other flammable materials.
- Sprayer generates sparks. When flammable liquid is used in or near the sprayer or for flushing or cleaning keep sprayer at least 20 feet (6.1 meters) away from explosive vapors.
- Know the contents of the paints and solvents being sprayed. Read all Material Safety Data Sheets (MSDS) and container labels provided with the paint and solvents. Follow paint and solvent manufacturer's safety instructions.
- Fire extinguisher equipment shall be present and working.

IMPORTANT SAFETY INFORMATION

WARNING — To reduce risk of skin injection.

High-pressure fluid from tip, gun, hose leaks, or ruptured components will pierce skin. This may look like just a cut, but it is a serious injury that can result in amputation. Get immediate surgical treatment.

- Do not aim the gun at, or spray any person or animal
- Keep hands and other body parts away from the discharge. For example, do not try to stop leaks with any body part.
- Always use the spray gun tip guard. Do not spray without spray gun tip guard in place.
- Only use TriTech Industries, Inc. spray gun tips.
- Use caution when cleaning and changing spray gun tips. In the case where the spray gun tip clogs while spraying, follow the manufacturer's instructions for turning off the equipment and relieving the pressure before removing the spray gun tip to clean or replace.
- Do not leave the unit energized or under pressure while unattended. When the unit is not in use, turn off the unit and relieve the pressure in accordance with TriTech Industries, Inc. instructions.
- High-pressure spray is able to inject toxins into the body and cause serious bodily injury. In the event that injection occurs, seek medical attention immediately.
- Check hoses and parts for signs of damage. Replace any damaged hoses or parts.
- This system is capable of producing 3300 psi. Only use replacement parts or accessories that are specified by TriTech Industries, Inc. and that are rated at a minimum of 3300 psi.
- Always engage the gun trigger lock when not spraying. Verify the gun trigger lock is functioning properly.
- Verify that all connections are secure before operating the unit.
- Know how to stop the unit and bleed pressure quickly. Be thoroughly familiar with the controls.

WARNING — To reduce the risk of injury.

- Always wear appropriate gloves, eye protection, hearing protection and a respirator or mask when painting.
- Do not operate or spray near children. Keep children away from equipment at all times.
- Do not overreach or stand on an unstable support. Keep effective footing and balance at all times.
- Stay alert and watch what you are doing.
- Do not operate the unit when fatigued or under the influence of drugs or alcohol.
- Do not kink or bend the hose.
- Do not expose the hose to temperature or pressures above that specified by manufacturer.
- Do not use the hose as a strength member to pull or lift the equipment.
- To reduce the risk of electrical shock, do not expose to rain. Store indoors.
- Turn off unit and unplug power cord before servicing equipment.

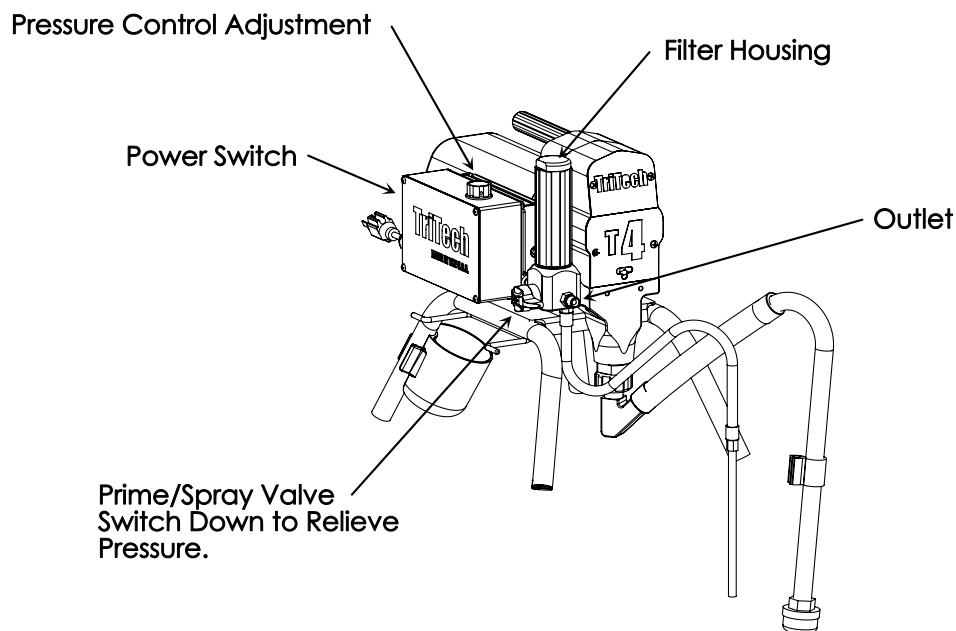
WARNING — To reduce the risk of injury, pressurized aluminum parts hazard.

- Do not use 1, 1,1-trichloroethane, methylene chloride, halogenated hydrocarbons (a solvent containing, Fluorine, Bromine, Chlorine, or iodine) and examples of those materials – such as methyl bromine, carbon tetrachloride and ethyl iodide.

IMPORTANT SAFETY INFORMATION

WARNING — Equipment Misuse Hazard

- Check equipment daily. Repair or replace worn or damaged parts immediately with genuine TriTech Industries, Inc. replacement parts.
- Do not alter or modify this equipment.
- Use equipment only for its intended purpose. Call TriTech Industries, Inc. customer service or your TriTech Industries, Inc. distributor for information.
- Route hoses, cords, extension cords away from high traffic areas, sharp edges, moving parts and hot surfaces. If spray hose is required to be replaced only replace with identical hose supplied with sprayer.
- Extension Cord, three wire grounded type only.
 - Use only extension cord with plug and receptacle that matches plug supplied on equipment.
 - Inspect the extension cord for damage before use, replaced if necessary
 - Acceptable extension cord lengths:
 - 16 AWG 25 feet maximum
 - 12 AWG 50 feet maximum
 - 10 AWG 100 feet maximum
- Pails – Solvent and oil based fluids: follow local codes;
 - Use only conductive metal pails placed on a grounded surface.
 - Do not place pails on non-conductive surfaces such as paper, cardboard or wood which interrupts ground.
 - To maintain ground continuity when flushing or relieving pressure: hold metal part of the spray gun with the airless tip removed firmly to the side of the grounded metal pail, then trigger gun.



START UP

1. Connect TriTech airless hose to sprayer. Tighten securely.
2. Connect other end of the hose to gun.
3. Tighten securely.
4. Remove tip guard.
5. Check inlet strainer for clogs and debris.
6. Fill upper retainer with TriLube to prevent premature packing wear. Do this each time you spray.
7. Plug power supply cord into a properly grounded electrical outlet.
8. Place siphon tube set in grounded metal container partially filled with flushing fluid. Use mineral spirits to flush storage oil.
9. Turn pressure control to lowest pressure. Open the Prime/Spray Valve so the handle is pointing down.
10. Turn power ON.
11. Increase pressure to start motor and allow fluid to circulate through prime tube for 15 seconds; then turn pressure down.
12. Turn prime / spray valve to the spray position or so the handle is horizontal. Take spray gun trigger safety OFF.
13. Hold gun against grounded metal container. Trigger gun and increase fluid pressure to half way. Flush 1 minute. Inspect for leaks. If a leak occurs follow the pressure relief procedure then tighten fitting were leak occurred. Do not attempt to stop leaks with hand or rag! Repeat Start-up 1-5 again. If no leaks, proceed.
14. Place siphon tube in paint pail.
15. Trigger gun again into metal container until paint appears. Move gun to paint pail and trigger for 20 seconds. Set the safety to ON position. Assemble tip and guard. (See following section).

TIP AND GUARD ASSEMBLY

1. Insert metal seal and “black bellow” seal assembly by placing seals on the end of T93R Contractor tip and insert through guard. Line up seals by turning tip.
2. Insert Tip
3. Screw assembly onto gun. Tighten.

SPRAYING

1. Spray test pattern. Start with pressure turned to its lowest setting, then gradually increase pressure until you achieve a consistent spray pattern without heavy edges. Use smaller tip size if pressure adjustment cannot eliminate heavy edges.
2. Hold gun perpendicular 10-12 inches in of front surface. Spray back and forth overlapping by 30%. To prevent heavy spots, start moving the gun before pulling the trigger. When spraying, after releasing trigger continue to move gun.

CLEARING CLOGGED TIP

- a) Release trigger, put safety ON.
- b) Rotate T93R Tip so the arrow is pointing backwards.
- c) Take safety OFF
- d) Trigger gun to clear clog. Never point gun at your hand or in a rag!

RETURN TO SPRAY

- a) Put Safety ON.
- b) Return Tip to spray position.
- c) Take safety OFF and continue spraying.

CLEAN UP

1. Turn power OFF and unplug sprayer.
2. Turn pressure to lowest setting. Trigger gun to relieve pressure.
3. Put prime hose in pail. Turn the prime / spray valve so the handle is pointing down.
4. Remove guard and T93R tip. Clean tip with soft bristle brush. **DO NOT STORE IN WATER.**
5. Remove suction hose from paint and place in flushing fluid. Use water for water base paint and mineral spirits for oil base paint.
6. Plug in sprayer. Turn power ON. Turn the prime / spray valve so the handle is horizontal.
7. Hold gun against paint pail. Take trigger safety OFF. Trigger gun and increase pressure until flushing fluid appears.
8. Move gun to flushing pail, hold gun against pail. Trigger gun to thoroughly flush system. Release trigger and put trigger safety ON.
9. Turn the prime / spray valve so the handle is pointing down and allow flushing fluid to circulate for 1 to 2 minutes to clean prime hose.
10. Raise the suction hose just above the flushing fluid and run sprayer for 15 to 30 seconds to drain fluid. Turn power off.
11. Close prime / spray valve. Trigger gun into flushing pail to purge fluid from hose.
12. Open prime / spray valve. Then close. Do not store with prime / spray valve open.
13. Remove filter from gun and sprayer, if installed. Clean and inspect. Reinstall filters.
14. If flushing with water, flush again with mineral spirits or TriTech Pump Cleaner to leave a protective coating to prevent freezing or corrosion.
15. Unplug power cord from outlet and wipe sprayer, hose and gun with rag soaked in water or mineral spirits.

PRESSURE RELIEF PROCEDURE

The sprayer's pressure must be manually relieved to prevent sprayer from starting or spraying accidentally. Fluid under high pressure can be injected through skin and cause serious injury. To reduce risk of injury from injection, splashing fluid, or moving parts, Follow the **PressureRelief Procedure** whenever you:

- Are instructed to relieve pressure
- Stop spraying
- Need to check or service any system equipment
- Install or clean spray tip

PROCEDURE

1. Turn pressure control knob counterclockwise to stop.
2. Turn sprayer off.
3. Do not unplug power supply cord.
4. Hold metal part of gun firmly to grounded metal container. Trigger gun to relieve pressure.
5. Lock gun safety latch.
6. Open prime / spray valve. Leave prime spray valve open until ready to spray again.

NOTE: If suspected that spray tip or hose is completely clogged, or that pressure has not been fully relieved after following steps above. **SLOWLY** loosen tip guard or hose end coupling to relieve pressure gradually, and then loosen completely. Clear tip or hose obstruction.

ELECTRICAL SHOCK WARNING

To reduce risk of serious injury, including electric shock, do not touch moving or electrical parts with fingers or tools while testing repair. Shut off and unplug sprayer when inspection is complete. Install all covers, guards, gaskets, screws and washers before operating sprayer.

PROBLEM	WHAT TO CHECK	REMEDY
MOTOR WILL NOT TURN ON	<ol style="list-style-type: none">1 - Unit is not plugged in.2 - Pressure is set too low.3 - The circuit breaker is open.	<ol style="list-style-type: none">1 - Plug the unit in.2 - Increase pressure.3 - Check the breaker and reset if needed.
UNIT WILL NOT PRIME	<ol style="list-style-type: none">1 - Suction hose is loose.2 - Suction filter is clogged.3 - Inlet ball is stuck.4 - Outlet ball is stuck.	<ol style="list-style-type: none">1 - Check the o-rings and tighten the suction hose.2 - Clean or replace the suction filter3 - Remove the suction hose and move the inlet ball with the eraser end of a pencil.4 - Remove the suction hose and the inlet valve. Move the outlet ball with the eraser end of a pencil.
PUMP BUILDS PRESSURE BUT WILL NOT SHUT OFF	<ol style="list-style-type: none">1 - The inlet ball or seat are obstructed or chipped.2 - Outlet ball or seat are obstructed or chipped.3 - Prime valve is leaking.	<ol style="list-style-type: none">1 - Clean or replace if needed.2 - Clean or replace if needed.3 - Replace the prime valve if coating leaks while under pressure.
PAINT LEAKING FROM WET CUP	<ol style="list-style-type: none">1 - Inspect upper packing.	<ol style="list-style-type: none">1 - Replace upper packing if needed.
PUMP OUTPUT IS LOW	<ol style="list-style-type: none">1 - The spray tip could be worn.2 - The inlet or outlet balls are worn.3 - Prime valve is worn.	<ol style="list-style-type: none">1 - Inspect the tip by checking the fan pattern width. If worn, replace.2 - Inspect the inlet and outlet balls for damage. Replace if worn.3 - If the prime valve leaks while spraying, clean or replace is worn.

NOTE: Before performing and inspection or repair, make sure to follow the pressure relief Procedure. Never attempt to do any service while the unit is plugged in or under pressure.

WICHTIGE SICHERHEITSHINWEISE

BEWAHREN SIE DIESE ANLEITUNG AUF - Um das Risiko von Feuer oder Explosion, elektrischem Schlag und Personenschäden zu verringern, lesen und verstehen Sie alle Anweisungen. Machen Sie sich mit der Einrichtung und dem Betrieb vertraut, bevor Sie dieses Gerät verwenden.

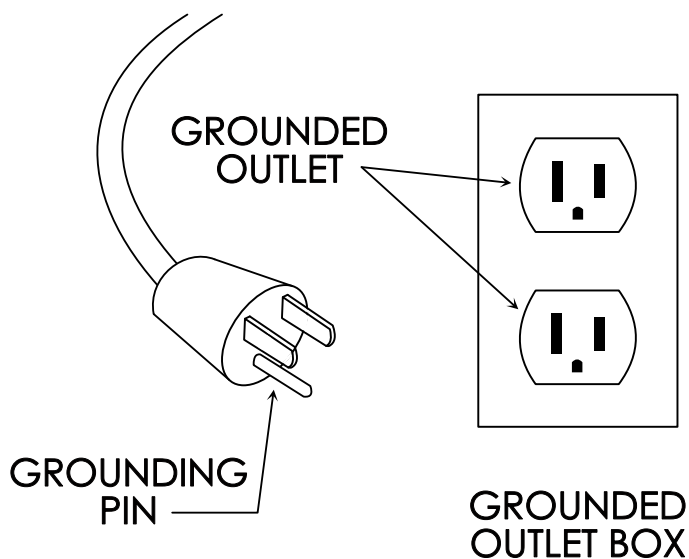
ERDUNG

Dieses Produkt muss geerdet werden. Im Falle eines elektrischen Kurzschlusses reduziert die Erdung das Risiko eines Stromschlags, indem sie einen Ableitungsdraht für den elektrischen Strom bereitstellt. Dieses Produkt ist mit einem Erdungskabel mit einem geeigneten Erdungsstecker ausgestattet. Der Stecker muss in eine Steckdose gesteckt werden, die ordnungsgemäß installiert und gemäß allen örtlichen Vorschriften und Verordnungen geerdet ist. Stellen Sie sicher, dass der Erdungsstift am Netzkabel des Geräts intakt ist, und stellen Sie sicher, dass der Erdungsstift des Verlängerungskabels intakt ist.

WARNUNG – Unsachgemäße Installation des Erdungssteckers kann zu Stromschlaggefahr führen. Wenn eine Reparatur oder ein Austausch des Kabels oder Steckers erforderlich ist, schließen Sie das Erdungskabel nicht an einen der Flachstecker-Netzanschlüsse an. Der Draht mit der grünen oder grün/gelben Isolierung ist der Erdungsdraht.

Wenden Sie sich an einen qualifizierten Elektriker oder Servicetechniker, wenn Sie die Erdungsanweisungen nicht vollständig verstanden haben oder Zweifel haben, ob das Produkt ordnungsgemäß geerdet ist. Verändern Sie den mitgelieferten Stecker nicht. Wenn der Stecker nicht in die Steckdose passt, lassen Sie die richtige Steckdose von einem qualifizierten Elektriker installieren.

Produkte, die mit einem Nennstromkreis von 110 VAC betrieben werden, haben einen Erdungsstecker ähnlich dem unten abgebildeten. Schließen Sie das Produkt nur an eine Steckdose an, die die gleiche Konfiguration wie der Stecker hat. Verwenden Sie mit diesem Produkt keinen 2-Blatt-Adapter.



WICHTIGE SICHERHEITSHINWEISE

WARNUNG – Zur Verringerung der Brand- oder Explosionsgefahr.

- Sprühen Sie kein entflammbares oder brennbares Material in die Nähe einer offenen Flamme oder Zündquelle wie Zigaretten, Motoren, Plastenschutztücher und elektrische Geräte.
- Stecken Sie das Netzkabel nicht ein oder aus, wenn brennbare Dämpfe vorhanden sind.
- Wenn es einen statischen Funken gibt oder Sie einen Schlag spüren, stellen Sie die Verwendung sofort ein. Verwenden Sie das Gerät erst, wenn Sie das Problem identifiziert und behoben haben.
- Sprühen oder reinigen Sie nicht mit Materialien mit einem Flammpunkt unter 100° F (38° C).
- Farbe oder Lösungsmittel, die durch das Gerät fließen, können zu statischer Elektrizität führen. Statische Elektrizität führt in Gegenwart von Farb- oder Lösungsmitteldämpfen zu Brand- oder Explosionsgefahr. Alle Teile des Spritzsystems, einschließlich Pumpe, Schlauchleitung, Spritzpistole und Gegenstände im und um den Spritzbereich müssen ordnungsgemäß geerdet sein, um vor statischer Entladung und Funken zu schützen. Verwenden Sie nur leitfähige oder geerdete Hochdruck-Airless-Farbspritzschläuche, die von TriTech Industries, Inc.
- Stellen Sie sicher, dass alle Behälter und Sammelsysteme geerdet sind, um statische Entladungen zu vermeiden.
- An eine geerdete Steckdose anschließen und geerdete Verlängerungskabel verwenden. Verwenden Sie keinen 2-auf-3-Adapter.
- Verwenden Sie keine Farbe oder Lösungsmittel, die halogenierte Kohlenwasserstoffe enthalten.
- Sprühbereich gut belüftet halten. Sorgen Sie für ausreichend frische Luft, die durch den Bereich strömt. Bewahren Sie die Pumpenbaugruppe in einem gut belüfteten Bereich auf. Pumpenbaugruppe nicht besprühen.
- Im Sprühbereich nicht rauchen.
- Betreiben Sie keine Lichtschalter, Motoren oder ähnliche funkenerzeugende Produkte im Spritzbereich oder wenn brennbare Dämpfe vorhanden sind.
- Halten Sie den Bereich sauber und frei von Farb- oder Lösungsmittelbehältern, Lappen und anderen brennbaren Materialien.
- Spritzgerät erzeugt Funken. Wenn brennbare Flüssigkeiten in oder in der Nähe des Spritzgeräts zum Spülen oder Reinigen verwendet werden, halten Sie das Spritzgerät mindestens 6,1 Meter (20 Fuß) von explosiven Dämpfen entfernt.
- Informieren Sie sich über die Inhaltsstoffe der zu versprühenden Farben und Lösungsmittel. Lesen Sie alle Materialsicherheitsdatenblätter (MSDS) und Behälteretiketten, die mit den Farben und Lösungsmitteln geliefert werden. Befolgen Sie die Sicherheitshinweise des Farb- und Lösungsmittelherstellers.
- Feuerlöschgeräte müssen vorhanden und funktionsfähig sein.

WICHTIGE SICHERHEITSHINWEISE

WARNUNG – Um das Risiko einer Injektion in die Haut zu verringern.

Hochdruckflüssigkeit aus Spitze, Pistole, Schlauchlecks oder gerissenen Komponenten durchsticht die Haut. Das sieht vielleicht nur wie ein Schnitt aus, ist aber eine schwere Verletzung, die zu einer Amputation führen kann. Lassen Sie sich sofort operieren.

- Richten Sie die Pistole nicht auf Personen oder Tiere und besprühen Sie sie nicht
- Halten Sie Hände und andere Körperteile von der Entladung fern. Versuchen Sie zum Beispiel nicht, Lecks mit irgendeinem Körperteil zu stoppen.
- Verwenden Sie immer den Düsenschutz der Spritzpistole. Nicht ohne Spritzpistolenspitzenschutz spritzen.
- Verwenden Sie nur Spritzpistolenspitzen von TriTech Industries, Inc.
- Gehen Sie beim Reinigen und Wechseln der Spritzpistolenspitzen vorsichtig vor. Falls die Spitze der Spritzpistole beim Spritzen verstopft, befolgen Sie die Anweisungen des Herstellers zum Abschalten des Geräts und zum Ablassen des Drucks, bevor Sie die Spitze der Spritzpistole entfernen, um sie zu reinigen oder auszutauschen.
- Lassen Sie das Gerät nicht unbeaufsichtigt unter Spannung oder unter Druck stehen. Wenn das Gerät nicht verwendet wird, schalten Sie es aus und lassen Sie den Druck gemäß den Anweisungen von TriTech Industries, Inc. ab.
- Hochdruckspray kann Giftstoffe in den Körper injizieren und schwere Körperverletzungen verursachen. Im Falle einer Injektion suchen Sie sofort einen Arzt auf.
- Schläuche und Teile auf Anzeichen von Beschädigung prüfen. Beschädigte Schläuche oder Teile ersetzen.
- Dieses System kann 3300 psi erzeugen. Verwenden Sie nur Ersatz- oder Zubehörteile, die von TriTech Industries, Inc. angegeben und für mindestens 3300 psi ausgelegt sind.
- Aktivieren Sie immer die Abzugssperre der Pistole, wenn Sie nicht spritzen. Stellen Sie sicher, dass die Abzugssperre der Pistole ordnungsgemäß funktioniert.
- Vergewissern Sie sich, dass alle Verbindungen sicher sind, bevor Sie das Gerät in Betrieb nehmen.
- Wissen, wie man das Gerät stoppt und den Druck schnell ablässt. Machen Sie sich gründlich mit den Bedienelementen vertraut.

WARNUNG – Um das Verletzungsrisiko zu verringern.

- Tragen Sie beim Lackieren immer geeignete Handschuhe, Augenschutz, Gehörschutz und eine Atemschutzmaske oder Maske.
- Nicht in der Nähe von Kindern betreiben oder sprühen. Halten Sie Kinder jederzeit von der Ausrüstung fern.
- Überstrecken Sie sich nicht und stellen Sie sich nicht auf eine instabile Unterlage. Behalten Sie jederzeit einen sicheren Stand und das Gleichgewicht.
- Bleiben Sie wachsam und beobachten Sie, was Sie tun.
- Betreiben Sie das Gerät nicht, wenn Sie müde sind oder unter dem Einfluss von Drogen oder Alkohol stehen.
- Knicken oder biegen Sie den Schlauch nicht.
- Setzen Sie den Schlauch keinen Temperaturen oder Drücken aus, die über den vom Hersteller angegebenen Werten liegen.
- Verwenden Sie den Schlauch nicht als Stützelement zum Ziehen oder Anheben des Geräts.
- Setzen Sie das Gerät nicht Regen aus, um das Risiko eines Stromschlags zu verringern. Drinnen lagern.
- Schalten Sie das Gerät aus und ziehen Sie den Netzstecker, bevor Sie Geräte warten.

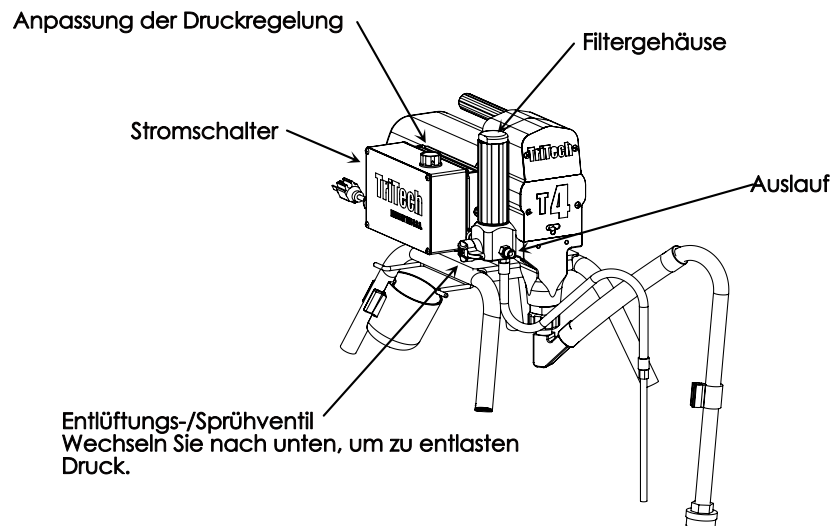
WICHTIGE SICHERHEITSHINWEISE

WARNUNG – Um das Verletzungsrisiko zu verringern, besteht Gefahr durch unter Druck stehende Aluminiumteile.

- Kein 1,1,1-Trichlorethan, Methylenchlorid, halogenierte Kohlenwasserstoffe verwenden (ein Lösungsmittel, das Fluor, Brom, Chlor oder Jod enthält) und Beispiele für diese Materialien – wie Methylbrom, Tetrachlorkohlenstoff und Ethyljodid.

WARNUNG – Gefahr des Gerätemissbrauchs

- Überprüfen Sie die Ausrüstung täglich. Reparieren oder ersetzen Sie verschlissene oder beschädigte Teile umgehend durch Original-Ersatzteile von TriTech Industries, Inc.
- Verändern oder modifizieren Sie dieses Gerät nicht.
- Geräte nur für den vorgesehenen Zweck verwenden. Rufen Sie den Kundendienst von TriTech Industries, Inc. oder Ihren TriTech Industries, Inc.-Händler an, um weitere Informationen zu erhalten.
- Verlegen Sie Schläuche, Kabel und Verlängerungskabel fern von stark frequentierten Bereichen, scharfen Kanten, beweglichen Teilen und heißen Oberflächen. Wenn der Sprühschlauch ersetzt werden muss, ersetzen Sie ihn nur durch den identischen Schlauch, der mit dem Sprühgerät geliefert wurde.
- Verlängerungskabel, nur dreidriger geerdeter Typ.
 - o Verwenden Sie nur Verlängerungskabel mit Stecker und Steckdose, die zum mitgelieferten Stecker passen.
 - o Untersuchen Sie das Verlängerungskabel vor dem Gebrauch auf Beschädigungen und ersetzen Sie es gegebenenfalls
 - o Akzeptable Verlängerungskabellängen:
 - 16 AWG 25 Fuß maximal
 - 12 AWG 50 Fuß maximal
 - 10 AWG 100 Fuß maximal
- Eimer – Flüssigkeiten auf Lösungsmittel- und Ölbasis: Befolgen Sie die örtlichen Vorschriften;
 - o Verwenden Sie nur leitfähige Metalleimer, die auf einer geerdeten Oberfläche stehen.
 - o Stellen Sie keine Eimer auf nichtleitende Oberflächen wie Papier, Pappe oder Holz, die den Boden unterbrechen.
 - o Um den Erdungsdurchgang beim Spülen oder Druckentlasten aufrechtzuerhalten: Halten Sie das Metallteil der Spritzpistole mit entfernter Airless-Düse fest an die Seite des geerdeten Metalleimers und ziehen Sie dann die Pistole ab



OPSTARTEN

In deze gebruiksinstructies worden model T-5 en T-7 ter illustratie gebruikt.

1. Sluit de TriTech luchtloze slang aan op de verfspuit. Goed aandraaien.
2. Sluit het andere uiteinde van de slang aan op het spuitpistool.
3. Goed aandraaien.
4. Verwijder de tipbescherming.
5. Inspecteer het inlaatfilter op eventuele verstopping en vuil.
6. Breng TriLube aan op de bovenste houder om voortijdige slijtage van de verpakking te voorkomen. Doe dit altijd voordat u met spuiten begint.
7. Steek de stekker van het snoer in een goed geaard stopcontact.
8. Draai de drukafvoerklep omlaag.
9. Plaats de hevelslangset in een geaard metalen blik enz. dat gedeeltelijk met spoelvloeistof is gevuld. Gebruik terpentijn om de opslagolie uit het systeem te spoelen.
10. Stel de drukregelaar in op de laagste druk. Draai de drukafvoerklep omlaag.
11. Schakel de stroom IN.
12. Verhoog de druk om de motor te starten en laat de vloeistof 15 seconden door de drukafvoerslang stromen; verlaag de druk.
13. Draai de drukafvoerklep horizontaal. Zet de vergrendeling van het spuitpistool op UIT.
14. Houd het spuitpistool tegen een geaarde metalen emmer enz. Druk de trekker in en verhoog de vloeistofdruk tot halverwege. Spoel 1 minuut lang door. Controleer op lekken. Als er een lek is, volgt u de procedure voor drukafvoer en draait u vervolgens de lekkende fitting goed aan. Stop lekken nooit met uw handen of een poetslap! Herhaal stap 1–5 voor het opstarten. Ga door als er geen lekken zijn.
15. Leg de hevelslang in de emmer met verf.
16. Druk de trekker van het in het blik gerichte spuitpistool opnieuw in totdat u verf ziet. Breng het spuitpistool naar de verfemmer en druk de trekker 20 seconden in. Zet de vergrendeling op AAN. Breng de tip en de bescherming aan. (Zie volgende onderdeel.)

TIP EN BESCHERMING AANBRENGEN

1. Breng de metalen afdichting en de 'zwarte balg' afdichting aan door ze op het uiteinde van de T93R Contractor-tip te plaatsen en via de bescherming in te brengen. Plaats de afdichtingen in een lijn door de tip te draaien.
2. Plaats de tip
3. Schroef het geheel op het spuitpistool. Goed aandraaien.

SPUITEN

1. Spuit een testpatroon. Begin met de druk in de laagste stand en verhoog de druk vervolgens totdat u een consistent spuitpatroon zonder dikke randen krijgt. Gebruik een kleinere tip als ondanks het afstellen van de druk geen dunnere randen kunt aanbrengen.
2. Houd het spuitpistool haaks op een afstand van 25–30 cm van de ondergrond. Beweeg het spuitpistool heen en weer en laat de banen met 20% overlappen. Begin het spuitpistool te bewegen voordat u de trekker overhaalt om dikke verfplekken te voorkomen. Blijf het spuitpistool ook bewegen nadat u met spuiten bent gestopt en de trekker hebt losgelaten.

TIP ONTSTOPPEN

- a) Laat de trekker los en zet de vergrendeling op AAN.
- b) Draai de T93R-tip.
- c) Zet de vergrendeling op UIT.
- d) Haal de trekker over om de verstopping te verwijderen. Richt het spuitpistool nooit op uw hand of in een poetslap!

SPUITEN HERVATTEN

- a) Zet de vergrendeling op AAN.
- b) Draai de tip terug naar de spuitstand.
- c) Zet de vergrendeling op UIT en ga verder met spuiten.

SCHOONMAKEN

1. Schakel de stroom UIT en verwijder de stekker van de verfspuit uit het stopcontact.
2. Stel de druk in op de laagste stand. Vuur het spuitpistool af om de druk af te voeren.
3. Leg de drukafvoerslang in de emmer. Draai de drukafvoerklap omlaag.
4. Verwijder de bescherming en de T93R-tip. Maak de tip met een zachte borstel schoon. NIET IN WATER ONDERGEDOMPELD BEWAREN.
5. Haal de hevelslangset uit de verf en leg de set in de spoelvloeistof. Gebruik water voor verf op waterbasis en terpentine voor verf op oliebasis.
6. Steek de stekker van de verfspuit in het stopcontact. Schakel de stroom IN. Draai de drukafvoerklap horizontaal.
7. Houd het spuitpistool tegen de verfemmer. Zet de vergrendeling van de trekker op UIT. Druk de trekker in en verhoog de druk totdat er spoelvloeistof verschijnt.
8. Breng het spuitpistool naar de emmer met spoelvloeistof en houd het tegen de emmer aan gedrukt. Vuur het spuitpistool af om het systeem grondig te spoelen. Laat de trekker los en zet de trekkervergrendeling op AAN.
9. Draai de drukafvoerklap omlaag en laat de spoelvloeistof 1–2 minuten doorspoelen om de afvoerslang schoon te maken.
10. Breng de hevelslang omhoog tot boven de spoelvloeistof en laat de verfspuit 15–30 seconden werken om alle vloeistof af te voeren. Schakel de stroom UIT.
11. Sluit de drukafvoerklap. Vuur het spuitpistool af in de emmer met spoelvloeistof om alle vloeistof uit de slang te verwijderen.
12. Open de drukafvoerklap. Sluit de klep. Niet bewaren met geopende drukafvoerklap.
13. Haal de filters (als deze zijn aangebracht) van het spuitpistool en de spuit. Maak ze schoon en inspecteer ze. Plaats de filters terug .
14. Als u met water hebt gespoeld, spoelt u nu nogmaals met terpentine of TriTech Pump Cleaner (pompreinigingsmiddel) om een beschermlaag aan te brengen en bevriezing en roest te voorkomen.
15. Verwijder de stekker uit het stopcontact en neem de verfspuit, de slang en het spuitpistool af met een poetslap die u in water of terpentine hebt gedrenkt.

Procedure voor drukafvoer

De druk in de verfspuit moet met de hand worden verwijderd om te voorkomen dat de verfspuit per ongeluk opstart of begint te spuiten.

Vloeistof onder hoge druk kan onder de huid worden ingespoten en ernstig letsel veroorzaken.

Verminder het risico op letsel door injectie, spattende vloeistof of bewegende onderdelen:

Volg altijd de **Procedurevoordrukafvoer** als u:

- de opdracht krijgt om de druk af te voeren;
- stopt met spuiten;
- systeemonderdelen inspecteert of repareert;
- een spuittip aanbrengt of schoonmaakt.

Draai de drukregelknop naar links om te stoppen.

2. Zet de verfspuit uit.

3. Trek de stekker uit het stopcontact.

4. Houd een metalen onderdeel van het spuitpistool stevig tegen het geaarde metalen blik enz. aangedrukt. Vuur het spuitpistool af om de druk af te voeren.

5. Zet de vergrendeling van het spuitpistool vast.

6. Open de drukafvoerklap. Houd de drukafvoerklap open totdat u weer met spuiten begint.

NBBewaar het apparaat niet langdurig met de drukafvoerklap open. Bewaar het apparaat in de spuitstand.

NBAls u vermoedt dat de spuittip of de slang helemaal is verstopt of dat de druk na het volgen van de bovenstaande stappen niet is verwijderd, draait u de tipbescherming of de koppeling op het slanguiteinde eerst **LANGZAAM** los om de druk geleidelijk af te voeren en daarna helemaal los. Verwijder vervolgens de verstopping in de tip of slang.

WARNUNG VOR STROMSCHLAG

Beperk het risico op ernstig letsel inclusief elektrische schokken: raak bewegende of elektrische onderdelen niet aan met uw vingers of gereedschappen als u een gerepareerd apparaat test. Zet de verfspuit uit en trek de stekker uit het stopcontact als u klaar bent met de inspectie. Breng alle afdekkingen, beschermingen, pakkingen, schroeven en sluitringen aan voordat u de verfspuit inschakelt.

PROBLEM	WAS ÜBERPRÜFEN	ABHILFE
MOTOR LÄSST SICH NICHT EINSCHALTEN	<ul style="list-style-type: none"> 1 - Gerät ist nicht angeschlossen. 2 - Druck ist zu niedrig eingestellt. 3 - Der Leistungsschalter ist offen. 	<ul style="list-style-type: none"> 1 - Schließen Sie das Gerät an. 2 - Druck erhöhen. 3 - Überprüfen Sie den Unterbrecher und setzen Sie ihn gegebenenfalls zurück.
GERÄT LÄUFT NICHT VOR	<ul style="list-style-type: none"> 1 - Saugschlauch ist locker. 2 - Saugfilter ist verstopft. 3 - Einlasskugel klemmt. 4 - Auslasskugel klemmt. 	<ul style="list-style-type: none"> 1 - Überprüfen Sie die O-Ringe und ziehen Sie den Saugschlauch fest. 2 - Reinigen oder ersetzen Sie den Ansaugfilter 3 - Entfernen Sie den Saugschlauch und bewegen Sie die Einlasskugel mit dem Radiergummiende eines Bleistifts. 4 - Entfernen Sie den Saugschlauch und das Einlassventil. Bewegen Sie die Auslasskugel mit dem Radiergummiende eines Bleistifts.
PUMPE BAUT DRUCK AUF, SCHALTET ABER NICHT AB	<ul style="list-style-type: none"> 1 - Die Einlasskugel oder der Sitz sind verstopft oder abgebrochen. 2 - Auslasskugel oder Sitz sind verstopft oder abgebrochen. 3 - Entlüftungsventil ist undicht. 	<ul style="list-style-type: none"> 1 - Reinigen oder bei Bedarf ersetzen. 2 - Bei Bedarf reinigen oder ersetzen. 3 - Ersetzen Sie das Entlüftungsventil, wenn die Beschichtung unter Druck austritt.
FARBE AUS NASSEM BECHER AUSLAUFEN	<ul style="list-style-type: none"> 1 - Überprüfen Sie die obere Verpackung. 	<ul style="list-style-type: none"> 1 - Ersetzen Sie bei Bedarf die obere Packung.
PUMPENLEISTUNG IST NIEDRIG	<ul style="list-style-type: none"> 1 - Die Spritzdüse könnte abgenutzt sein. 2 - Die Einlass- oder Auslasskugeln sind verschlissen. 3 - Entlüftungsventil ist verschlissen. 	<ul style="list-style-type: none"> 1 - Inspizieren Sie die Spitze, indem Sie die Breite des Fächerusters überprüfen. Wenn verschlissen, ersetzen. 2 - Untersuchen Sie die Einlass- und Auslasskugeln auf Beschädigungen. Bei Verschleiß ersetzen. 3 - Wenn das Entlüftungsventil beim Spritzen leckt, reinigen oder ersetzen, wenn es abgenutzt ist.

HINWEIS: Stellen Sie vor der Durchführung und Inspektion oder Reparatur sicher, dass Sie die Druckentlastung befolgen. Versuchen Sie niemals, Wartungsarbeiten durchzuführen, während das Gerät angeschlossen ist oder unter Druck steht.

INFORMATIONS DE SÉCURITÉ IMPORTANTES

CONSERVEZ CES INSTRUCTIONS -- Pour réduire les risques d'incendie ou d'explosion, d'électrocution et de blessures corporelles, lisez et comprenez toutes les instructions. Familiarisez-vous avec la configuration et le fonctionnement avant d'utiliser cet équipement.

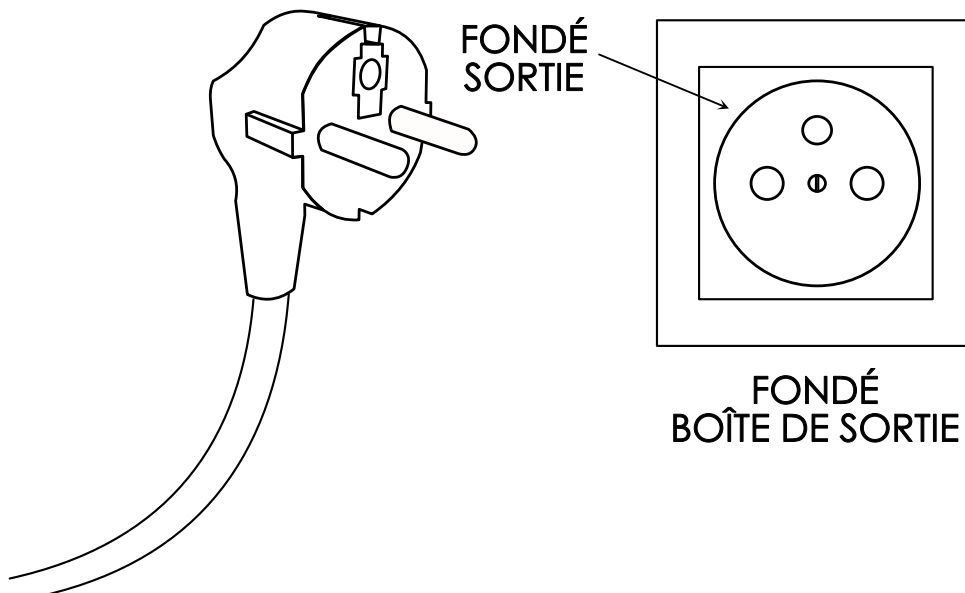
MISE À LA TERRE

Ce produit doit être mis à la terre. En cas de court-circuit électrique, la mise à la terre réduit le risque de choc électrique en fournissant un fil d'échappement pour le courant électrique. Ce produit est équipé d'un cordon ayant un fil de terre avec une fiche de mise à la terre appropriée. La fiche doit être branchée dans une prise correctement installée et mise à la terre conformément à tous les codes et ordonnances locaux. Assurez-vous que la broche de terre est intacte sur le cordon d'alimentation de l'équipement et, le cas échéant, assurez-vous que la broche de terre de la rallonge est intacte.

AVERTISSEMENT – Une mauvaise installation de la fiche de mise à la terre peut entraîner un risque d'électrocution. Lorsque la réparation ou le remplacement du cordon ou de la prise est nécessaire, ne connectez pas le fil de mise à la terre à l'une ou l'autre des bornes secteur à lame plate. Le fil avec l'isolation verte ou verte/jaune est le fil de mise à la terre.

Vérifiez auprès d'un électricien ou d'un réparateur qualifié lorsque les instructions de mise à la terre ne sont pas complètement comprises ou en cas de doute quant à la mise à la terre correcte du produit. Ne modifiez pas la prise fournie. Si la fiche ne rentre pas dans la prise, faites installer la prise appropriée par un électricien qualifié.

Les produits qui fonctionnent sur un circuit nominal de 110 VAC ont une fiche de mise à la terre similaire à celle illustrée ci-dessous. Branchez le produit uniquement sur une prise ayant la même configuration que la fiche. N'utilisez pas d'adaptateur à 2 lames avec ce produit.



INFORMATIONS DE SÉCURITÉ IMPORTANTES

AVERTISSEMENT – Pour réduire le risque d'incendie ou d'explosion.

- Ne vaporisez pas de matières inflammables ou combustibles à proximité d'une flamme nue ou d'une source d'inflammation comme des cigarettes, des moteurs, des toiles de protection en plastique et des équipements électriques.
- Ne pas brancher ou débrancher le cordon d'alimentation en présence de vapeurs inflammables.
- S'il y a une étincelle statique ou si vous ressentez un choc, arrêtez immédiatement l'utilisation. N'utilisez pas l'équipement tant que vous n'avez pas identifié et corrigé le problème.
- Ne vaporisez pas ou ne nettoyez pas avec des matériaux dont le point d'éclair est inférieur à 100° F (38° C).
- La peinture ou le solvant circulant dans l'équipement peut générer de l'électricité statique. L'électricité statique crée un risque d'incendie ou d'explosion en présence de vapeurs de peinture ou de solvant. Toutes les pièces du système de pulvérisation, y compris la pompe, le tuyau, le pistolet et les objets dans et autour de la zone de pulvérisation doivent être correctement mises à la terre pour les protéger contre les décharges statiques et les étincelles. Utilisez uniquement des tuyaux de pulvérisation de peinture sans air haute pression conducteurs ou mis à la terre spécifiés par TriTech Industries, Inc.
- Vérifiez que tous les conteneurs et systèmes collectifs sont mis à la terre pour éviter les décharges d'électricité statique.
- Branchez à une prise mise à la terre et utilisez des rallonges mises à la terre. N'utilisez pas d'adaptateur 2 à 3.
- Ne pas utiliser de peinture ou de solvant contenant des hydrocarbures halogénés.
- Gardez la zone de pulvérisation bien ventilée. Gardez un bon apport d'air frais dans la zone. Conservez l'ensemble de la pompe dans un endroit bien aéré. Ne pulvérisez pas l'ensemble de la pompe.
- Ne fumez pas dans la zone de pulvérisation.
- N'actionnez pas d'interrupteurs, de moteurs ou de produits similaires produisant des étincelles dans la zone de pulvérisation ou en présence de vapeurs inflammables.
- Gardez la zone propre et exempte de contenants de peinture ou de solvant, de chiffons et d'autres matériaux inflammables.

INFORMATIONS DE SÉCURITÉ IMPORTANTES

AVERTISSEMENT – Pour réduire le risque d'injection cutanée.

Le fluide à haute pression provenant de la buse, du pistolet, des fuites de tuyau ou des composants rompus percera la peau. Cela peut ressembler à une simple coupure, mais il s'agit d'une blessure grave qui peut entraîner une amputation. Obtenez un traitement chirurgical immédiat.

- Ne dirigez pas le pistolet vers une personne ou un animal et ne vaporisez pas
- Gardez les mains et les autres parties du corps éloignées de la décharge. Par exemple, n'essayez pas d'arrêter les fuites avec une partie du corps.
- Utilisez toujours le protège-buse du pistolet pulvérisateur. Ne pas pulvériser sans que le protège-buse du pistolet pulvérisateur ne soit en place.
- N'utilisez que les pointes de pistolet TriTech Industries, Inc..
- Soyez prudent lorsque vous nettoyez et changez les buses des pistolets pulvérisateurs. Dans le cas où la pointe du pistolet pulvérisateur se bouche pendant la pulvérisation, suivez les instructions du fabricant pour éteindre l'équipement et relâcher la pression avant de retirer la pointe du pistolet pulvérisateur pour la nettoyer ou la remplacer.
- Ne laissez pas l'appareil sous tension ou sous pression sans surveillance. Lorsque l'appareil n'est pas utilisé, éteignez-le et relâchez la pression conformément aux instructions de TriTech Industries, Inc.
- Le jet à haute pression est capable d'injecter des toxines dans le corps et de provoquer des lésions corporelles graves. En cas d'injection, consultez immédiatement un médecin.
- Vérifiez les tuyaux et les pièces pour des signes de dommages. Remplacez tous les tuyaux ou pièces endommagés.
- Ce système est capable de produire 3300 psi. Utilisez uniquement des pièces de rechange ou des accessoires spécifiés par TriTech Industries, Inc. et évalués à un minimum de 3300 psi.
- Verrouillez toujours la gâchette du pistolet lorsque vous ne pulvérisiez pas. Vérifiez que le verrou de la gâchette du pistolet fonctionne correctement.
- Vérifiez que toutes les connexions sont sécurisées avant d'utiliser l'appareil.
- Sachez comment arrêter l'appareil et purger la pression rapidement. Familiarisez-vous parfaitement avec les commandes.

AVERTISSEMENT – Pour réduire le risque de blessure.

- Portez toujours des gants appropriés, une protection oculaire, une protection auditive et un respirateur ou un masque lorsque vous peignez.
- Ne pas utiliser ou pulvériser à proximité d'enfants. Gardez les enfants éloignés de l'équipement en tout temps.
- Ne vous penchez pas en avant ou ne vous tenez pas debout sur un support instable. Gardez une assise et un équilibre efficaces à tout moment.
- Restez vigilant et surveillez ce que vous faites.
- N'utilisez pas l'appareil lorsque vous êtes fatigué ou sous l'influence de drogues ou d'alcool.
- Ne pas plier ou plier le tuyau.
- N'exposez pas le tuyau à des températures ou des pressions supérieures à celles spécifiées par le fabricant.
- N'utilisez pas le tuyau comme élément de force pour tirer ou soulever l'équipement.
- Pour réduire le risque de choc électrique, ne l'exposez pas à la pluie. Conserver à l'intérieur.
- Éteignez l'appareil et débranchez le cordon d'alimentation avant de procéder à l'entretien de l'équipement.

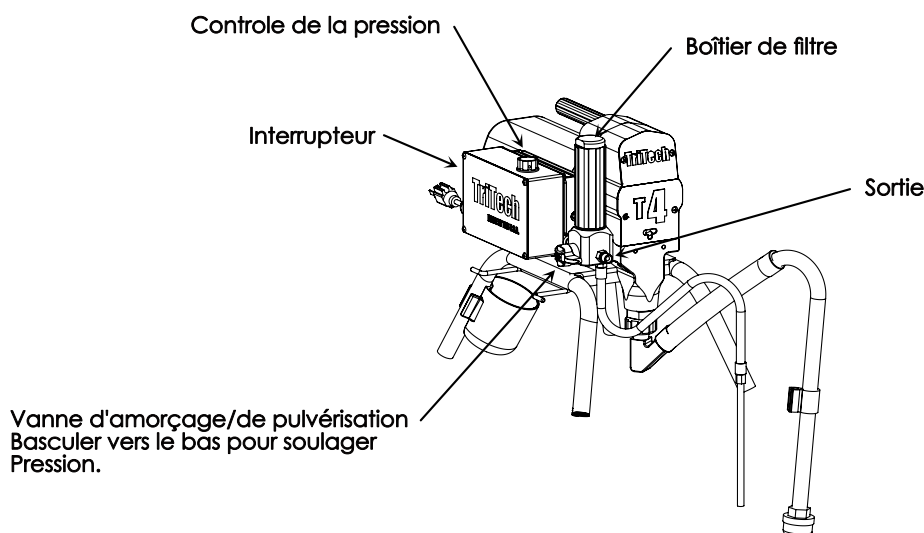
INFORMATIONS DE SÉCURITÉ IMPORTANTES

AVERTISSEMENT – Pour réduire le risque de blessure, les pièces en aluminium sous pression sont dangereuses.

- Ne pas utiliser de 1,1,1-trichloroéthane, de chlorure de méthylène, d'hydrocarbures halogénés (un solvant contenant du fluor, du brome, du chlore ou de l'iode) et des exemples de ces matériaux - tels que le brome de méthyle, le tétrachlorure de carbone et l'iodure d'éthyle.

AVERTISSEMENT – Risque de mauvaise utilisation de l'équipement

- Vérifiez l'équipement quotidiennement. Réparez ou remplacez immédiatement les pièces usées ou endommagées par des pièces de rechange d'origine TriTech Industries, Inc.
- Ne pas altérer ou modifier cet équipement.
- N'utilisez l'équipement que pour l'usage auquel il est destiné. Appelez le service clientèle de TriTech Industries, Inc. ou votre distributeur TriTech Industries, Inc. pour plus d'informations.
- Acheminez les flexibles, les cordons et les rallonges à l'écart des zones à forte circulation, des arêtes vives, des pièces mobiles et des surfaces chaudes. Si le tuyau de pulvérisation doit être remplacé, remplacez-le uniquement par un tuyau identique fourni avec le pulvérisateur.
- Cordon prolongateur, type à trois fils avec mise à la terre uniquement.
 - o Utilisez uniquement une rallonge avec une fiche et une prise correspondant à la fiche fournie sur l'équipement.
 - o Inspectez la rallonge avant utilisation, remplacez-la si nécessaire
 - o Longueurs de rallonge acceptables :
 - 16 AWG 25 pieds maximum
 - 12 AWG 50 pieds maximum
 - 10 AWG 100 pieds maximum
- Seaux – Fluides à base de solvant et d'huile : suivez les codes locaux ;
 - o Utilisez uniquement des seaux métalliques conducteurs placés sur une surface mise à la terre.
 - o Ne placez pas les seaux sur des surfaces non conductrices telles que du papier, du carton ou du bois qui interrompent le sol.
 - o Pour maintenir la continuité de la terre lors du rinçage ou de la décompression : maintenez fermement la partie métallique du pistolet de pulvérisation avec la buse sans air retirée sur le côté du seau métallique mis à la terre, puis actionnez le pistolet.



COMMENCEZ

1. Connectez le tuyau sans air TriTech au pulvérisateur. Bien serrer.
2. Connectez l'autre extrémité du tuyau au pistolet.
3. Serrez fermement.
4. Retirez le protège-buse.
5. Vérifiez la crépine d'entrée pour les obstructions et les débris.
6. Remplissez le dispositif de retenue supérieur de TriLube pour éviter une usure prématurée de la garniture. Faites-le à chaque pulvérisation.
7. Branchez le cordon d'alimentation dans une prise électrique correctement mise à la terre.
8. Tournez la soupape de surpression vers le bas.
9. Placer le jeu de tubes siphons dans un récipient métallique mis à la terre partiellement rempli de liquide de rinçage. Utilisez de l'essence minérale pour rincer huile de stockage.
10. Réglez la commande de pression sur la pression la plus basse. Tournez la soupape de surpression vers le bas.
11. Mettez sous tension.
12. Augmentez la pression pour démarrer le moteur et laissez le fluide circuler dans le tube de décompression pendant 15 secondes ; ensuite baisser la pression.
13. Tournez la soupape de surpression à l'horizontale. Désactivez la sécurité de la gâchette du pistolet pulvérisateur.
14. Maintenez le pistolet contre un récipient métallique mis à la terre. Actionnez le pistolet et augmentez la pression du fluide à mi-course. Chasse 1 minute. Inspectez les fuites. Si une fuite se produit, suivez la procédure de décompression, puis serrez le raccord en cas de fuite.
15. Placez le tube du siphon dans le seau de peinture.
16. Actionnez à nouveau le pistolet dans le récipient métallique jusqu'à ce que la peinture apparaisse. Déplacez le pistolet vers le seau de peinture et appuyez sur la gâchette pendant 20 secondes. Mettre la sécurité en position ON. Assemblez la pointe et la garde. (Voir section suivante).

ENSEMBLE POINTE ET GARDE

1. Insérez le joint métallique et l'ensemble de joint « à soufflet noir » en plaçant les joints à l'extrémité de l'embout et de l'insert T93R Contractor.
par la garde. Aligned les joints en tournant la pointe.
2. Insérez la pointe
3. Visser l'ensemble sur le pistolet. Serrer.

PULVÉRISATION

1. Modèle de test de pulvérisation. Commencez avec la pression tournée à son réglage le plus bas, puis augmentez progressivement la pression jusqu'à ce que vous obtenir un motif de pulvérisation uniforme sans bords épais. Utilisez une taille de buse plus petite si le réglage de la pression ne peut pas éliminer les bords lourds.
2. Tenez le pistolet perpendiculairement à 10-12 pouces de la surface avant. Pulvériser en va-et-vient en se chevauchant de 30 %. Pour prévenir points lourds, commencez à déplacer le pistolet avant d'appuyer sur la gâchette. Lors de la pulvérisation, après avoir relâché la gâchette, continuez à déplacer le pistolet.

DÉGAGEMENT DE LA BUSE OBSTRUÉE

- a) Relâchez la gâchette, mettez la sécurité sur ON.
- b) Faites pivoter l'embout T93R de manière à ce que la flèche pointe vers l'arrière.
- c) Désactivez la sécurité
- d) Actionner le pistolet pour éliminer l'obstruction. Ne pointez jamais le pistolet vers votre main ou dans un chiffon!

RETOUR AU SPRAY

- a) Activez la sécurité.
- b) Remettez la buse en position de pulvérisation.
- c) Désactivez la sécurité et continuez à pulvériser.

NETTOYER

1. Coupez l'alimentation et débranchez le pulvérisateur.
2. Tournez la pression au réglage le plus bas. Déclenchez le pistolet pour relâcher la pression.
3. Mettez le tuyau d'amorçage dans le seau. Tournez la vanne d'amorçage/de pulvérisation de sorte que la poignée soit dirigée vers le bas.
4. Retirez la protection et la buse T93R. Nettoyez la pointe avec une brosse à poils doux. NE PAS ENTREPOSER DANS L'EAU.
5. Retirez le tuyau d'aspiration de la peinture et placez-le dans le liquide de rinçage. Utilisez de l'eau pour la peinture à base d'eau et de l'essence minérale pour peinture à base d'huile.
6. Branchez le pulvérisateur. Mettez sous tension. Tournez la vanne d'amorçage/de pulvérisation de sorte que la poignée soit horizontale.
7. Tenez le pistolet contre le seau de peinture. Désactivez la sécurité de la gâchette. Actionnez le pistolet et augmentez la pression jusqu'à ce que le liquide de rinçage apparaisse.
8. Déplacez le pistolet vers le seau de rinçage, tenez le pistolet contre le seau. Actionner le pistolet pour rincer soigneusement le système. Relâchez la gâchette et mettez la gâchette sécurité activée.
9. Tournez la vanne d'amorçage/de pulvérisation de sorte que la poignée soit dirigée vers le bas et laissez le liquide de rinçage circuler pendant 1 à 2 minutes pour nettoyer le tuyau d'amorçage.
10. Soulevez le tuyau d'aspiration juste au-dessus du liquide de rinçage et faites fonctionner le pulvérisateur pendant 15 à 30 secondes pour vidanger le liquide. Coupez l'alimentation.
11. Fermez la vanne d'amorçage/de pulvérisation. Déclenchez le pistolet dans le seau de rinçage pour purger le liquide du tuyau.
12. Ouvrez la vanne d'amorçage/de pulvérisation. Puis fermez. Ne pas entreposer avec la vanne d'amorçage/de pulvérisation ouverte.
13. Retirez le filtre du pistolet et du pulvérisateur, s'il est installé. Nettoyer et inspecter. Réinstallez les filtres.
14. Si vous rincez à l'eau, rincez à nouveau avec de l'essence minérale ou TriTech Pump Cleaner pour laisser une couche protectrice sur éviter le gel ou la corrosion.
15. Débranchez le cordon d'alimentation de la prise et essuyez le pulvérisateur, le tuyau et le pistolet avec un chiffon imbibé d'eau ou d'essence minérale.

PROCÉDURE DE DÉCOMPRESSION

La pression du pulvérisateur doit être relâchée manuellement pour éviter que le pulvérisateur ne démarre ou ne pulvérise accidentellement.

Un liquide sous haute pression peut être injecté à travers la peau et causer des blessures graves. Pour réduire le risque de blessure par injection, les éclaboussures de liquide ou des pièces mobiles, Suivez la Procédure de décompression chaque fois que vous :

- Sont chargés de relâcher la pression
- Arrêtez la pulvérisation
- Besoin de vérifier ou de réparer tout équipement du système
- Installer ou nettoyer la buse de pulvérisation

PROCÉDURE

1. Tournez le bouton de contrôle de la pression dans le sens antihoraire pour arrêter.
2. Éteignez le pulvérisateur.
3. Ne débranchez pas le cordon d'alimentation.
4. Maintenez fermement la partie métallique du pistolet sur un récipient métallique mis à la terre. Déclenchez le pistolet pour relâcher la pression.
5. Verrouillez le loquet de sécurité du pistolet.
6. Ouvrez la vanne d'amorçage/de pulvérisation. Laissez la vanne de pulvérisation d'amorçage ouverte jusqu'à ce que vous soyez prêt à pulvériser à nouveau.

REMARQUE: Si vous soupçonnez que la buse de pulvérisation ou le tuyau est complètement obstrué, ou que la pression n'a pas été complètement relâchée après en suivant les étapes ci-dessus.

Desserrez LENTEMENT le protège-embout ou le raccord d'extrémité du tuyau pour relâcher progressivement la pression, puis desserrez complètement. Dégager obstruction de la pointe ou du tuyau.

AVERTISSEMENT DE CHOC ÉLECTRIQUE

Pour réduire les risques de blessures graves, y compris les chocs électriques, ne touchez pas les pièces mobiles ou électriques avec les doigts ou outils tout en testant la réparation. Arrêtez et débranchez le pulvérisateur lorsque l'inspection est terminée. Installez tous les capots, protections, joints, vis et rondelles avant d'utiliser le pulvérisateur.

PROBLÈME	QUE VÉRIFIER	REMÈDE
LE MOTEUR NE S'ALLUME PAS	<ol style="list-style-type: none"> 1 - L'appareil n'est pas branché. 2 - La pression est réglée trop bas. 3 - Le disjoncteur est ouvert. 	<ol style="list-style-type: none"> 1 - Branchez l'appareil. 2 - Augmenter la pression. 3 - Vérifiez le disjoncteur et réarmez-le si nécessaire.
L'UNITÉ NE S'AMORCE PAS	<ol style="list-style-type: none"> 1 - Le tuyau d'aspiration est desserré. 2 - Le filtre d'aspiration est colmaté. 3 - La bille d'admission est coincée. 4 - La bille de sortie est coincée. 	<ol style="list-style-type: none"> 1 - Vérifier les joints toriques et serrer le tuyau d'aspiration. 2 - Nettoyer ou remplacer le filtre d'aspiration 3 - Retirez le tuyau d'aspiration et déplacez la bille d'admission avec le bout gomme d'un crayon. 4 - Retirer le tuyau d'aspiration et la vanne d'admission. Déplacez la boule de sortie avec le bout gomme d'un crayon.
LA POMPE MONTE EN PRESSION MAIS NE S'ARRÊTE PAS	<ol style="list-style-type: none"> 1 - La bille ou le siège d'admission sont obstrués ou ébréchés. 2 - La bille ou le siège de sortie sont obstrués ou ébréchés. 3 - La vanne d'amorçage fuit. 	<ol style="list-style-type: none"> 1 - Nettoyer ou remplacer si nécessaire. 2 - Nettoyer ou remplacer si nécessaire. 3 - Remplacez la valve d'amorçage si le revêtement fuit sous pression.
LA PEINTURE FUIE DE LA TASSE HUMIDE	<ol style="list-style-type: none"> 1 - Inspecter la garniture supérieure. 	<ol style="list-style-type: none"> 1 - Remplacer la garniture supérieure si nécessaire.
LE DÉBIT DE LA POMPE EST FAIBLE	<ol style="list-style-type: none"> 1 - La buse de pulvérisation pourrait être usée. 2 - Les billes d'entrée ou de sortie sont usées. 3 - La soupape d'amorçage est usée. 	<ol style="list-style-type: none"> 1 - Inspectez la pointe en vérifiant la largeur du motif en éventail. S'il est usé, remplacez-le. 2 - Vérifiez que les billes d'entrée et de sortie ne sont pas endommagées. Remplacer si usé. 3 - Si la soupape d'amorçage fuit pendant la pulvérisation, la nettoyer ou la remplacer est usée.

REMARQUE: Avant d'effectuer une inspection ou une réparation, assurez-vous de suivre les consignes de décompression Procédure. N'essayez jamais d'effectuer un entretien lorsque l'appareil est branché ou sous pression.

INFORMACION DE SEGURIDAD IMPORTANTE

GUARDE ESTAS INSTRUCCIONES: Para reducir el riesgo de incendio o explosión, descarga eléctrica y lesiones personales, lea y comprenda todas las instrucciones. Familiarícese con la configuración y el funcionamiento antes de utilizar este equipo.

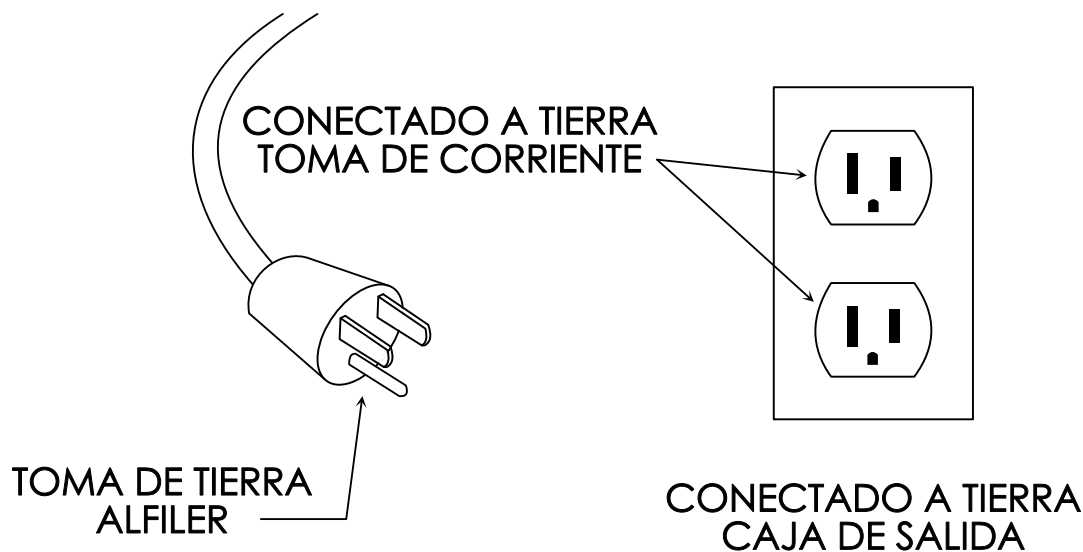
TOMA DE TIERRA

Este producto debe estar conectado a tierra. En caso de un cortocircuito eléctrico, la conexión a tierra reduce el riesgo de descarga eléctrica al proporcionar un cable de escape para la corriente eléctrica. Este producto está equipado con un cable que tiene un hilo de tierra con un enchufe de tierra apropiado. El enchufe debe enchufarse en un tomacorriente que esté correctamente instalado y conectado a tierra de acuerdo con todos los códigos y ordenanzas locales. Asegúrese de que la clavija de conexión a tierra esté intacta en el cable de alimentación del equipo y, si se usa, asegúrese de que la clavija de conexión a tierra del cable de extensión esté intacta.

ADVERTENCIA: La instalación incorrecta del enchufe de conexión a tierra puede resultar en un riesgo de descarga eléctrica. Cuando sea necesario reparar o reemplazar el cable o el enchufe, no conecte el cable de conexión a tierra a ninguno de los terminales de alimentación de clavija plana. El cable con aislamiento verde o verde/amarillo es el cable de conexión a tierra.

Consulte con un electricista o técnico calificado cuando no entienda completamente las instrucciones de conexión a tierra, o cuando tenga dudas sobre si el producto está correctamente conectado a tierra. No modifique el enchufe proporcionado. Si el enchufe no encaja en el tomacorriente, haga que un electricista calificado instale el tomacorriente adecuado.

Los productos que funcionan en un circuito nominal de 110 VCA tienen un enchufe de conexión a tierra similar al que se ilustra a continuación. Conecte el producto únicamente a una toma de corriente que tenga la misma configuración que el enchufe. No utilice un adaptador de 2 cuchillas con este producto.



INFORMACION DE SEGURIDAD IMPORTANTE

GUARDE ESTAS INSTRUCCIONES: Para reducir el riesgo de incendio o explosión, descarga eléctrica y lesiones personales, lea y comprenda todas las instrucciones. Familiarícese con la configuración y el funcionamiento antes de utilizar este equipo.

TOMA DE TIERRA

Este producto debe estar conectado a tierra. En caso de un cortocircuito eléctrico, la conexión a tierra reduce el riesgo de descarga eléctrica al proporcionar un cable de escape para la corriente eléctrica. Este producto está equipado con un cable que tiene un hilo de tierra con un enchufe de tierra apropiado. El enchufe debe enchufarse en un tomacorriente que esté correctamente instalado y conectado a tierra de acuerdo con todos los códigos y ordenanzas locales. Asegúrese de que la clavija de conexión a tierra esté intacta en el cable de alimentación del equipo y, si se usa, asegúrese de que la clavija de conexión a tierra del cable de extensión esté intacta.

ADVERTENCIA: La instalación incorrecta del enchufe de conexión a tierra puede resultar en un riesgo de descarga eléctrica. Cuando sea necesario reparar o reemplazar el cable o el enchufe, no conecte el cable de conexión a tierra a ninguno de los terminales de alimentación de clavija plana. El cable con aislamiento verde o verde/amarillo es el cable de conexión a tierra.

Consulte con un electricista o técnico calificado cuando no entienda completamente las instrucciones de conexión a tierra, o cuando tenga dudas sobre si el producto está correctamente conectado a tierra. No modifique el enchufe proporcionado. Si el enchufe no encaja en el tomacorriente, haga que un electricista calificado instale el tomacorriente adecuado.

Los productos que funcionan en un circuito nominal de 110 VCA tienen un enchufe de conexión a tierra similar al que se ilustra a continuación. Conecte el producto únicamente a una toma de corriente que tenga la misma configuración que el enchufe. No utilice un adaptador de 2 cuchillas con este producto.

INFORMACION DE SEGURIDAD IMPORTANTE

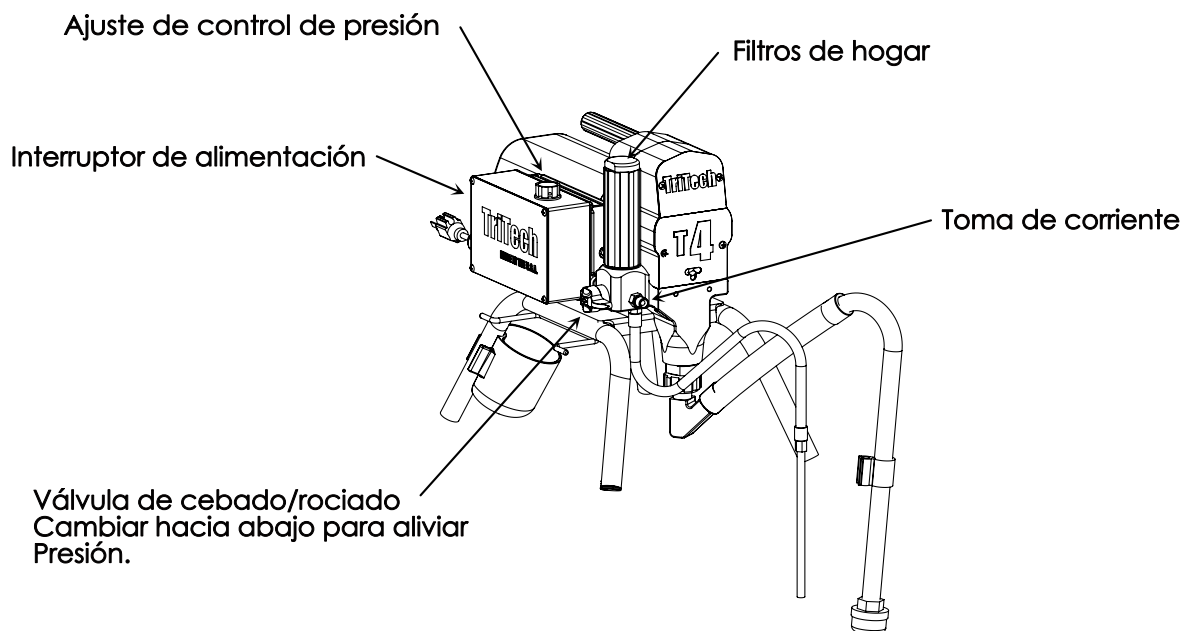
ADVERTENCIA: Para reducir el riesgo de incendio o explosión.

- No rocíe materiales inflamables o combustibles cerca de una llama abierta o una fuente de ignición, como cigarrillos, motores, lonas de plástico y equipos eléctricos.
- No enchufe ni desenchufe el cable de alimentación cuando haya vapores inflamables.
- Si hay una chispa estática o siente una descarga eléctrica, deje de usarlo inmediatamente. No utilice el equipo hasta que identifique y corrija el problema.
- No rocíe ni limpie con materiales con un punto de inflamación inferior a 100 ° F (38 ° C).
- La pintura o el solvente que fluye a través del equipo puede generar electricidad estática. La electricidad estática crea un riesgo de incendio o explosión en presencia de vapores de pintura o solventes. Todas las partes del sistema de rociado, incluida la bomba, el conjunto de la manguera, la pistola rociadora y los objetos dentro y alrededor del área de rociado, deben estar debidamente conectados a tierra para protegerlos contra descargas estáticas y chispas. Utilice únicamente mangueras de pulverización de pintura sin aire de alta presión conductoras o conectadas a tierra especificadas por TriTech Industries, Inc.
- Verificar que todos los contenedores y sistemas colectivos estén conectados a tierra para evitar descargas estáticas.
- Conéctelo a un tomacorriente con conexión a tierra y use cables de extensión con conexión a tierra. No utilice un adaptador de 2 a 3.
- No utilice pinturas o disolventes que contengan hidrocarburos halogenados.
- Mantenga el área de aplicación bien ventilada. Mantenga un buen suministro de aire fresco en movimiento a través del área. Mantenga el conjunto de la bomba en un área bien ventilada. No rocíe el conjunto de la bomba.
- No fume en el área de rociado.
- No opere interruptores de luz, motores o productos similares que produzcan chispas en el área de rociado o mientras haya vapores inflamables presentes.
- Mantenga el área limpia y libre de contenedores de pintura o solvente, trapos y otros materiales inflamables.
- El rociador genera chispas. Cuando se utiliza líquido inflamable en el rociador o cerca de él para enjuagar o limpiar, mantenga el rociador a una distancia mínima de 20 pies (6,1 metros) de los vapores explosivos.
- Conocer el contenido de las pinturas y solventes que se rocían. Lea todas las hojas de datos de seguridad del material (MSDS) y las etiquetas de los contenedores que se proporcionan con la pintura y los solventes. Siga las instrucciones de seguridad del fabricante de la pintura y el solvente.
- El equipo extintor de incendios debe estar presente y funcionando.

INFORMACION DE SEGURIDAD IMPORTANTE

ADVERTENCIA: Peligro de mal uso del equipo

- Revisar el equipo diariamente. Repare o reemplace las piezas desgastadas o dañadas inmediatamente con piezas de repuesto genuinas de TriTech Industries, Inc.
- No altere ni modifique este equipo.
- Use el equipo solo para el propósito previsto. Llame al servicio de atención al cliente de TriTech Industries, Inc. o a su distribuidor de TriTech Industries, Inc. para obtener información.
- Dirija las mangueras, los cables y los cables de extensión lejos de las áreas de mucho tráfico, los bordes afilados, las piezas móviles y las superficies calientes. Si es necesario reemplazar la manguera del rociador, reemplácela únicamente con una manguera idéntica provista con el rociador.
- Cable de extensión, solo del tipo de tres hilos con conexión a tierra.
 - o Utilice únicamente un cable de extensión con enchufe y receptáculo que coincida con el enchufe suministrado en el equipo.
 - o Inspeccione el cable de extensión en busca de daños antes de usarlo, reemplácelo si es necesario
 - o Longitudes de cable de extensión aceptables:
 - 16 AWG 25 pies máximo
 - 12 AWG 50 pies máximo
 - 10 AWG 100 pies máximo
- Baldes: Fluidos a base de aceite y solventes: siga los códigos locales;
 - o Utilice únicamente cubos de metal conductor colocados sobre una superficie conectada a tierra.
 - o No coloque cubos sobre superficies no conductoras como papel, cartón o madera que interrumpa la conexión a tierra.
 - o Para mantener la continuidad a tierra al enjuagar o aliviar la presión: sostenga la parte metálica de la pistola rociadora con la punta sin aire extraída firmemente contra el costado del cubo metálico conectado a tierra y luego dispense la pistola.



PUESTA EN MARCHA

1. Conecte la manguera sin aire TriTech al rociador. Apriete firmemente.
2. Conecte el otro extremo de la manguera a la pistola.
3. Apriete firmemente.
4. Retire la protección de la punta.
5. Revise el filtro de entrada en busca de obstrucciones y residuos.
6. Llene el retenedor superior con TriLube para evitar el desgaste prematuro de la empaquetadura. Haga esto cada vez que rocíe.
7. Enchufe el cable de alimentación en un tomacorriente correctamente conectado a tierra.
8. Gire hacia abajo la válvula de alivio de presión.
9. Coloque el juego de tubos de sifón en un recipiente de metal conectado a tierra parcialmente lleno con líquido de lavado. Use alcoholes minerales para enjuagar aceite de almacenamiento.
10. Gire el control de presión a la presión más baja. Gire la válvula de alivio de presión hacia abajo.
11. Encienda la alimentación.
12. Aumente la presión para arrancar el motor y permita que el fluido circule a través del tubo de alivio de presión durante 15 segundos; luego baje la presión.
13. Coloque la válvula de alivio de presión en posición horizontal. Quite el seguro del gatillo de la pistola rociadora.
14. Sostenga la pistola contra el contenedor de metal conectado a tierra. Dispare la pistola y aumente la presión del fluido hasta la mitad. enjuagar 1 minuto. Inspeccione en busca de fugas. Si ocurre una fuga, siga el procedimiento de alivio de presión y luego apriete el accesorio en caso de fuga ocurrió. ¡No intente detener las fugas con la mano o un trapo! Repita la puesta en marcha 1-5 de nuevo. Si no hay fugas, proceda.
15. Coloque el tubo de sifón en el cubo de pintura.
16. Vuelva a disparar la pistola en el recipiente de metal hasta que aparezca pintura. Mueva la pistola al cubo de pintura y dispare durante 20 segundos. Coloque la seguridad en la posición ON. Monte la punta y el protector. (Ver apartado siguiente).

CONJUNTO DE PUNTA Y PROTECTOR

1. Inserte el sello de metal y el conjunto de sello de “fuelle negro” colocando los sellos en el extremo de la punta del contratista T93R e inserte a través de guardia. Alinee los sellos girando la punta.
2. Inserte la punta
3. Atornille el conjunto a la pistola. Apretar.

PULVERIZACIÓN

1. Patrón de prueba de pulverización. Comience con la presión en su configuración más baja, luego aumente gradualmente la presión hasta que lograr un patrón de rociado consistente sin bordes gruesos. Use un tamaño de punta más pequeño si el ajuste de presión no puede elimine los bordes gruesos.
2. Sostenga la pistola perpendicularmente a 10-12 pulgadas de la superficie frontal. Rocíe de un lado a otro superpuestos en un 30%. Para prevenir puntos pesados, empiece a mover el arma antes de apretar el gatillo. Al rociar, después de soltar el gatillo, continúe mueve el arma.

LIMPIEZA DE LA PUNTA OBSTRUIDA

- a) Suelte el gatillo, ponga el seguro en ON.
- b) Gire la punta T93R para que la flecha apunte hacia atrás.
- c) Quite la seguridad
- d) Dispare la pistola para despejar la obstrucción. ¡Nunca apunte el arma a su mano o a un trapo!

VOLVER A ROCIAR

- a) Active la seguridad.
- b) Regrese la boquilla a la posición de rociado.
- c) Quite el seguro y continúe rociando.

LIMPIAR

1. Apague y desenchufe el rociador.
2. Gire la presión al ajuste más bajo. Dispare la pistola para aliviar la presión.
3. Coloque la manguera de cebado en el balde. Gire la válvula de cebado/rociado de manera que el mango apunte hacia abajo.
4. Retire el protector y la punta T93R. Limpie la punta con un cepillo de cerdas suaves. **NO ALMACENAR EN AGUA.**
5. Retire la manguera de succión de la pintura y colóquela en líquido de lavado. Use agua para pintura a base de agua y alcoholes minerales para pintura a base de aceite.
6. Enchufe el rociador. Encienda la alimentación. Gire la válvula de cebado/rociado de modo que el mango quede horizontal.

7. Sostenga la pistola contra el cubo de pintura. Quite el seguro del gatillo. Dispare la pistola y aumente la presión hasta que aparezca líquido de lavado.
8. Mueva la pistola al balde de lavado, sostenga la pistola contra el balde. Dispare la pistola para enjuagar completamente el sistema. Suelta el gatillo y pon el gatillo seguridad ENCENDIDA.
9. Gire la válvula de cebado/rociado de manera que la manija apunte hacia abajo y permita que el líquido de lavado circule durante 1 a 2 minutos para limpiar la manguera de cebado.
10. Levante la manguera de succión justo por encima del líquido de lavado y haga funcionar el rociador durante 15 a 30 segundos para drenar el líquido. Apague la alimentación.
11. Cierre la válvula de cebado/rociado. Dispare la pistola en el balde de lavado para purgar el fluido de la manguera.
12. Abra la válvula de cebado/rociado. Luego cierra. No almacene con la válvula de cebado/rociado abierta.
13. Retire el filtro de la pistola y el rociador, si está instalado. Limpiar e inspeccionar. Vuelva a instalar los filtros.
14. Si enjuaga con agua, enjuague nuevamente con alcohol mineral o TriTech Pump Cleaner para dejar una capa protectora evitar la congelación o la corrosión.
15. Desenchufe el cable de alimentación del tomacorriente y limpie el rociador, la manguera y la pistola con un trapo empapado en agua o alcohol mineral.

PROCEDIMIENTO DE ALIVIO DE PRESIÓN

La presión del rociador debe aliviarse manualmente para evitar que el rociador arranque o rocíe accidentalmente.

El fluido a alta presión puede inyectarse a través de la piel y causar lesiones graves. Para reducir el riesgo de lesiones por inyección,

salpicaduras de líquido o piezas móviles,

Siga el Procedimiento de descompresión cada vez que:

- Reciben instrucciones de aliviar la presión
- Deje de rociar
- Necesidad de revisar o dar servicio a cualquier equipo del sistema
- Instale o limpie la punta del rociador

PROCEDIMIENTO

1. Gire la perilla de control de presión en sentido antihorario para detener.
2. Apague el rociador.
3. No desconecte el cable de alimentación.
4. Sostenga la parte metálica de la pistola firmemente contra el recipiente metálico conectado a tierra. Dispare la pistola para aliviar la presión.
5. Bloquee el pestillo de seguridad de la pistola.
6. Abra la válvula de cebado/rociado. Deje la válvula de rociado de cebado abierta hasta que esté listo para rociar nuevamente.

NOTA: Si sospecha que la boquilla del rociador o la manguera están completamente obstruidas, o que la presión no se ha liberado por completo después

siguiendo los pasos anteriores. Afloje LENTAMENTE el protector de boquilla o el acoplamiento del extremo de la manguera para aliviar la presión gradualmente y luego afloje por completo. Limpie la obstrucción de la boquilla o la manguera.

PROBLEMA	QUE VERIFICAR	REMEDIO
EL MOTOR NO ENCIENDE	1 - La unidad no está enchufada. 2 - La presión está configurada demasiado baja. 3 - El disyuntor está abierto.	1 - Enchufe la unidad. 2 - Aumentar la presión. 3 - Verifique el disyuntor y reinícielo si es necesario.
LA UNIDAD NO CEBARA	1 - La manguera de succión está suelta. 2 - El filtro de succión está obstruido. 3 - La bola de entrada está atascada. 4 - La bola de salida está atascada.	1 - Verifique las juntas tóricas y apriete la manguera de succión. 2 - Limpiar o sustituir el filtro de aspiración 3 - Retire la manguera de succión y mueva la bola de entrada con la punta de un lápiz. 4 - Retire la manguera de aspiración y la válvula de entrada. Mueva la bola de salida con el extremo borrador de un lápiz.
LA BOMBA AUMENTA PRESIÓN PERO NO SE APAGA	1 - La bola de entrada o el asiento están obstruidos o astillados. 2 - La bola de salida o el asiento son obstruido o astillado. 3 - La válvula de cebado tiene fugas.	1 - Limpie o reemplace si es necesario. 2 - Limpie o reemplace si es necesario. 3 - Reemplace la válvula de cebado si el recubrimiento se filtra mientras está bajo presión.
PINTURA FUGA DE COPA HÚMEDA	1 - Inspeccione el empaque superior.	1 - Reemplace el empaque superior si es necesario.
LA SALIDA DE LA BOMBA ES BAJA	1 - La boquilla de pulverización podría estar desgastada. 2 - Las bolas de entrada o salida están desgastadas. 3 - La válvula de cebado está desgastada.	1 - Inspeccione la punta comprobando el ancho del abanico. Si está desgastado, reemplácelo. 2 - Inspeccione las bolas de entrada y salida en busca de daños. Reemplácelo si está desgastado. 3 - Si la válvula de cebado tiene fugas durante la pulverización, limpie o reemplace si está desgastada.

NOTA: Antes de realizar una inspección o reparación, asegúrese de seguir las instrucciones de alivio de presión. Procedimiento. Nunca intente realizar ningún servicio mientras la unidad esté enchufada o bajo presión.

BELANGRIJKE VEILIGHEIDSINFORMATIE

BEWAAR DEZE INSTRUCTIES -- Om het risico op brand of explosie, elektrische schokken en persoonlijk letsel te verminderen, dient u alle instructies te lezen en te begrijpen. Raak vertrouwd met de installatie en bediening voordat u deze apparatuur gebruikt.

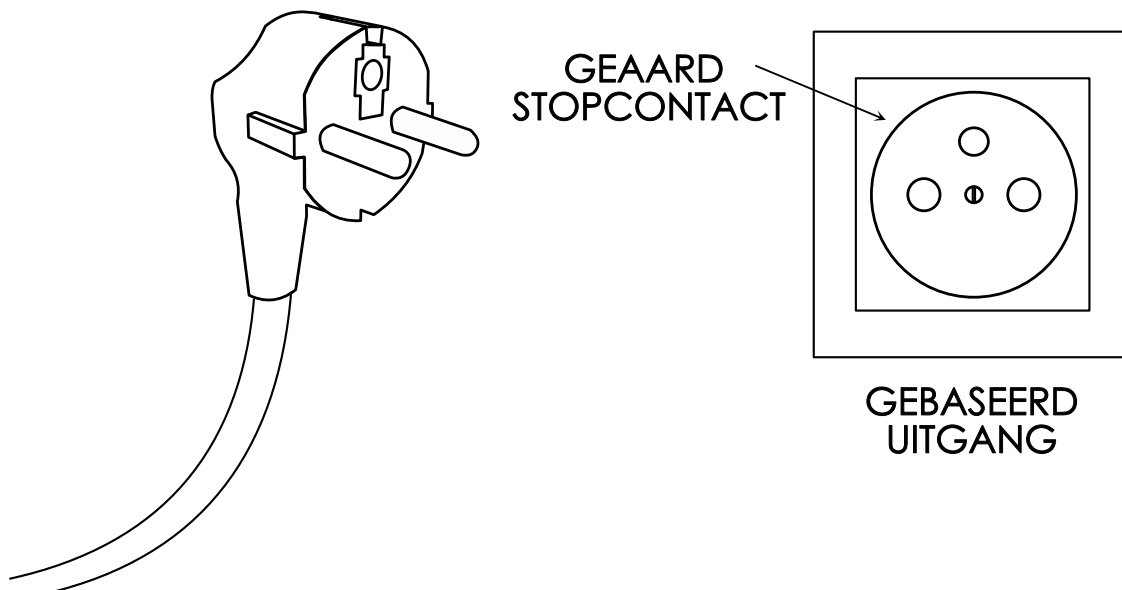
AARDING

Dit product moet geaard zijn. In het geval van een elektrische kortsluiting, vermindert aarding het risico op een elektrische schok door een ontsnappingsdraad voor de elektrische stroom te bieden. Dit product is uitgerust met een snoer met een aardingsdraad met een geschikte aardingsstekker. De stekker moet worden aangesloten op een stopcontact dat correct is geïnstalleerd en geaard in overeenstemming met alle lokale codes en verordeningen. Zorg ervoor dat de aardingspin intact is op het netsnoer van de apparatuur, en indien gebruikt, zorg ervoor dat de aardingspin van het verlengsnoer intact is.

WAARSCHUWING – Onjuiste installatie van de aardingsstekker kan leiden tot een risico op elektrische schokken. Wanneer reparatie of vervanging van het snoer of de stekker nodig is, mag de aardingsdraad niet worden aangesloten op een van de platte netvoedingsklemmen. De draad met de groene of groen/gele isolatie is de aarddraad.

Neem contact op met een gekwalificeerde elektricien of onderhoudsmonteur wanneer de aardinginstructies niet volledig zijn begrepen, of wanneer u twijfelt of het product correct is geaard. Wijzig de meegeleverde stekker niet. Als de stekker niet in het stopcontact past, laat dan het juiste stopcontact installeren door een gekwalificeerde elektricien.

Producten die werken op een nominaal 110VAC-circuit hebben een aardingsstekker zoals hieronder afgebeeld. Sluit het product alleen aan op een stopcontact met dezelfde configuratie als de stekker. Gebruik bij dit product geen adapter met 2 bladen.



BELANGRIJKE VEILIGHEIDSINFORMATIE

WAARSCHUWING – Om het risico op brand of explosie te verminderen.

- Spuit geen ontvlambaar of brandbaar materiaal in de buurt van open vuur of ontstekingsbronnen zoals sigaretten, motoren, plastic druppeldoeken en elektrische apparatuur.
- Steek de stekker niet in het stopcontact of trek de stekker niet uit het stopcontact als er ontvlambare dampen aanwezig zijn.
- Als er een statische vonk is of als u een schok voelt, stop dan onmiddellijk met het gebruik. Gebruik de apparatuur niet totdat u het probleem hebt geïdentificeerd en verholpen.
- Niet spuiten of reinigen met materialen met een vlammpunt onder 100° F (38° C).
- Verf of oplosmiddel dat door de apparatuur stroomt, kan statische elektriciteit veroorzaken. Statische elektriciteit creëert een risico op brand of explosie in de aanwezigheid van verf- of oplosmiddeldampen. Alle onderdelen van het spuitsysteem, inclusief de pomp, slangconstructie, spuitpistool en objecten in en rond het spuitgebied, moeten goed geaard zijn om te beschermen tegen statische ontlading en vonken. Gebruik alleen geleidende of geaarde hogedruk airless verfspuitslangen gespecificeerd door TriTech Industries, Inc.
- Controleer of alle containers en collectieve systemen geaard zijn om statische ontlading te voorkomen.
- Sluit aan op een geaard stopcontact en gebruik geaarde verlengsnoeren. Gebruik geen 2 naar 3 adapter.
- Gebruik geen verf of oplosmiddel dat gehalogeneerde koolwaterstoffen bevat.
- Spuitruimte goed geventileerd houden. Zorg voor een goede toevoer van frisse lucht door het gebied. Bewaar het pompsamenstel in een goed geventileerde ruimte. Spuit het pompsamenstel niet.
- Rook niet in de spuitruimte.
- Gebruik geen lichtsakelaars, motoren of soortgelijke producten die vonken produceren in het spuitgebied of wanneer er ontvlambare dampen aanwezig zijn.
- Houd de ruimte schoon en vrij van containers met verf of oplosmiddelen, poetslappen en andere brandbare materialen.
- Spuitapparaat genereert vonken. Als er ontvlambare vloeistof wordt gebruikt in of in de buurt van het spuitapparaat of om te spoelen of te reinigen, houd het spuitapparaat dan ten minste 6,1 meter (20 voet) verwijderd van explosieve dampen.
- Ken de inhoud van de verven en oplosmiddelen die worden gespoten. Lees alle veiligheidsinformatiebladen (MSDS) en verpakkingsetiketten die bij de verf en oplosmiddelen zijn geleverd. Volg de veiligheidsinstructies van de fabrikant van verf en oplosmiddelen.
- Brandblusapparatuur moet aanwezig zijn en werken.

BELANGRIJKE VEILIGHEIDSINFORMATIE

WAARSCHUWING – Om het risico op huidinjectie te verminderen.

Vloeistof onder hoge druk uit de tip, het pistool, lekkage van slangen of gescheurde onderdelen zal de huid doorboren. Dit lijkt misschien op een snee, maar het is een ernstig letsel dat kan leiden tot amputatie. Krijg onmiddellijk een chirurgische behandeling.

- Richt het pistool niet op, of spuit geen persoon of dier
- Houd handen en andere lichaamsdelen uit de buurt van de afvoer. Probeer bijvoorbeeld met geen enkel lichaamsdeel lekkages te dichten.
- Gebruik altijd de tipbeschermer van het spuitpistool. Spuit niet zonder dat de tipbeschermer van het spuitpistool op zijn plaats zit.
- Gebruik alleen spuitpistooltips van TriTech Industries, Inc.
- Wees voorzichtig bij het reinigen en vervangen van spuitpistooltips. In het geval dat de spuitpistooltip verstopt raakt tijdens het spuiten, volg dan de instructies van de fabrikant voor het uitschakelen van de apparatuur en het ontlasten van de druk voordat u de spuitpistooltip verwijdert om deze te reinigen of te vervangen.
- Laat het apparaat niet onder spanning staan of onder druk staan als het onbeheerd is. Als het apparaat niet in gebruik is, schakelt u het uit en ontlast u de druk in overeenstemming met de instructies van TriTech Industries, Inc.
- Hogedrukspray kan gifstoffen in het lichaam injecteren en ernstig lichamelijk letsel veroorzaken. Zoek onmiddellijk medische hulp in het geval dat er een injectie plaatsvindt.
- Slangen en onderdelen op beschadigingen controleren. Vervang beschadigde slangen of onderdelen.
- Dit systeem kan 3300 psi produceren. Gebruik alleen vervangende onderdelen of accessoires die zijn gespecificeerd door TriTech Industries, Inc. en die een nominale waarde hebben van minimaal 3300 psi.
- Schakel altijd de trekkervergrendeling van het pistool in als u niet spuit. Controleer of de vergrendeling van de pistooltrekker goed werkt.
- Controleer of alle aansluitingen goed vastzitten voordat u het apparaat in gebruik neemt.
- Weet hoe u het apparaat moet stoppen en snel de druk moet laten ontsnappen. Zorg dat u goed bekend bent met de bedieningselementen.

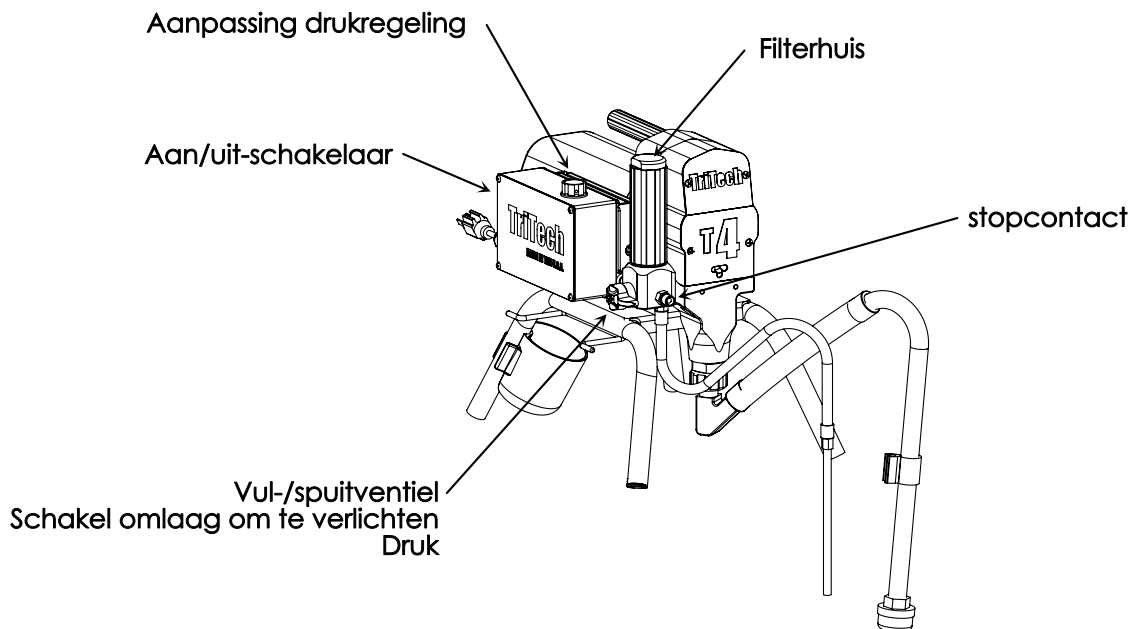
WAARSCHUWING – Om het risico op letsel te verminderen.

- Draag bij het schilderen altijd geschikte handschoenen, oogbescherming, gehoorbescherming en een gasmasker of masker.
- Gebruik of spuit niet in de buurt van kinderen. Houd kinderen te allen tijde uit de buurt van apparatuur.
- Reik niet te ver uit en ga niet op een onstabiele steun staan. Houd te allen tijde een effectieve houvast en balans.
- Blijf alert en kijk wat je doet.
- Gebruik het apparaat niet als u vermoeid bent of onder invloed bent van drugs of alcohol.
- De slang niet knikken of buigen.
- Stel de slang niet bloot aan een hogere temperatuur of druk dan gespecificeerd door de fabrikant.
- Gebruik de slang niet als krachtonderdeel om de apparatuur te trekken of op te tillen.

BELANGRIJKE VEILIGHEIDSINFORMATIE

WAARSCHUWING – Gevaar voor misbruik van apparatuur

- Apparatuur dagelijks controleren. Repareer of vervang versleten of beschadigde onderdelen onmiddellijk met originele vervangingsonderdelen van TriTech Industries, Inc.
- Verander of wijzig deze apparatuur niet.
- Gebruik de apparatuur alleen voor het beoogde doel. Bel de klantenservice van TriTech Industries, Inc. of uw TriTech Industries, Inc.-distributeur voor informatie.
- Leid slangen, snoeren en verlengsnoeren uit de buurt van gebieden met veel verkeer, scherpe randen, bewegende onderdelen en hete oppervlakken. Als de spuitslang moet worden vervangen, vervang deze dan alleen door een identieke slang die bij het spuitapparaat is geleverd.
- Verlengsnoer, alleen geaard type met drie draden.
 - o Gebruik alleen een verlengsnoer met een stekker en een stopcontact dat overeenkomt met de stekker die op de apparatuur is geleverd.
 - o Controleer het verlengsnoer voor gebruik op beschadigingen, vervang het indien nodig
 - o Aanvaardbare verlengsnoerlengtes:
 - 16 AWG maximaal 25 voet
 - 12 AWG maximaal 50 voet
 - 10 AWG 100 voet maximaal
- Emmers – Vloeistoffen op basis van oplosmiddelen en olie: volg de plaatselijke voorschriften;
 - o Gebruik alleen geleidende metalen emmers die op een geaard oppervlak zijn geplaatst.
 - o Plaats geen emmers op niet-geleidende oppervlakken zoals papier, karton of hout dat de grond onderbreekt.
 - o Om de continuïteit van de grond te behouden bij het spoelen of het ontlasten van de druk: houd het metalen deel van het spuitpistool met de airless punt stevig verwijderd tegen de zijkant van de geaarde metalen emmer en druk vervolgens op het pistool.



OPSTARTEN

1. Sluit de TriTech airless-slang aan op het spuitapparaat. Draai stevig vast.
2. Sluit het andere uiteinde van de slang aan op het pistool.
3. Draai stevig vast.
4. Verwijder de tipbeschermer.
5. Controleer de inlaatzeef op verstoppingen en vuil.
6. Vul de bovenste houder met TriLube om voortijdige slijtage van de pakking te voorkomen. Doe dit elke keer dat u spuit.
7. Steek de stekker van het netsnoer in een goed geaard stopcontact.
8. Draai het overdrukventiel omlaag.
9. Plaats de sifonbuis in een geaarde metalen bak die gedeeltelijk gevuld is met spoelvloeistof. Gebruik terpentine om opslagolie door te spoelen.
10. Zet de drukregeling op de laagste druk. Draai het overdrukventiel omlaag.
11. Zet de stroom AAN.
12. Verhoog de druk om de motor te starten en laat de vloeistof 15 seconden circuleren door de overdrukbus; verlaag dan de druk.
13. Draai het overdrukventiel horizontaal. Zet de trekkerbeveiliging van het spuitpistool UIT.
14. Houd het pistool tegen een geaarde metalen container. Trek aan het pistool en verhoog de vloeistofdruk tot halverwege. Spoel 1 minuut. Inspecteer op lekken. Als er een lek optreedt, volg dan de drukontlastingsprocedure en draai de fitting vast als er lekkage is opgetreden. Probeer lekken niet met de hand of een doek te dichten! Herhaal Opstarten 1-5 opnieuw. Ga verder als er geen lekken zijn.
15. Plaats de sifonbuis in de verfemmer.
16. Spuit het pistool opnieuw in de metalen container totdat er verf verschijnt. Verplaats het pistool naar de verfemmer en druk de trekker gedurende 20 seconden in. Zet de beveiliging op AAN. Monteer de punt en de beschermkap. (Zie het volgende gedeelte).

TIP EN BESCHERMING MONTAGE

1. Plaats de metalen afdichting en de "zwarte balg"-afdichting door afdichtingen op het uiteinde van de T93R-aannemertip te plaatsen en door de beschermkap te steken. Lijn de afdichtingen uit door de tip te draaien.
2. Tip invoegen
3. Schroef de montage op het pistool. Draai vast.

SPUITEN

1. Sproeitestpatroon. Begin met de druk op de laagste stand en verhoog dan geleidelijk de druk totdat u een consistent spuitpatroon zonder zware randen bereikt. Gebruik een kleinere tip als de drukaanpassing de zware randen niet kan elimineren.
2. Houd het pistool loodrecht 10-12 inch van het vooroppervlak. Spray heen en weer overlappend met 30%. Om zware plekken te voorkomen, begint u het pistool te bewegen voordat u de trekker overhaalt. Blijf tijdens het spuiten het pistool bewegen nadat u de trekker hebt losgelaten.

ELEKTRISCHE SCHOK WAARSCHUWING:

Om het risico op ernstig letsel, inclusief elektrische schokken te verminderen, mag u geen bewegende of elektrische onderdelen aanraken met uw vingers of gereedschap tijdens het testen van reparatie. Schakel het spuitapparaat uit en haal de stekker uit het stopcontact wanneer de inspectie is voltooid. Installeer alle afdekkingen, beschermingen, pakkingen, schroeven en ringen voordat u het spuitapparaat gebruikt.

PROBLEEM	WAT TE CONTROLEREN?	REMEDIE
MOTOR WORDT NIET INGESCHAKELD	<ol style="list-style-type: none">1 - Apparaat is niet aangesloten.2 - De druk is te laag ingesteld.3 - De stroomonderbreker is open.	<ol style="list-style-type: none">1 - Steek de stekker in het stopcontact.2 - Verhoog de druk.3 - Controleer de stroomonderbreker en reset indien nodig.
EENHEID ZAL NIET PRIME	<ol style="list-style-type: none">1 - Zuigslang zit los.2 - Zuigfilter is verstopt.3 - Inlaatkogel zit vast.4 - Uitlaatkogel zit vast.	<ol style="list-style-type: none">1 - Controleer de O-ringen en draai de zuigslang vast.2 - Reinig of vervang het aanzuigfilter3 - Verwijder de zuigslang en verplaats de inlaatkogel met het gumuiteinde van een potlood.4 - Verwijder de zuigslang en de inlaatklep. Verplaats de uitlaatbal met het gumuiteinde van een potlood.
POMP BOUWT DRUK OP MAAR SLUIT NIET UIT!	<ol style="list-style-type: none">1 - De inlaatkogel of zitting is verstopt of gechipt.2 - Uitlaatkogel of zitting zijn belemmerd of afgebroken.3 - Vulklep lekt.	<ol style="list-style-type: none">1 - Reinig of vervang indien nodig.2 - Reinig of vervang indien nodig.3 - Vervang de vulklep als de coating onder druk lekt.
VERF LEKT UIT NATTE KOP	<ol style="list-style-type: none">1 - Inspecteer de bovenste pakking.	<ol style="list-style-type: none">1 - Vervang de bovenste pakking indien nodig.
POMPUITGANG IS LAAG	<ol style="list-style-type: none">1 - De spuittip kan versleten zijn.2 - De inlaat- of uitlaatkogels zijn versleten.3 - Vulklep is versleten.	<ol style="list-style-type: none">1 - Inspecteer de punt door de breedte van het waaierspatroon te controleren. Indien versleten, vervang.2 - Inspecteer de in- en uitlaatkogels op beschadigingen. Vervang indien versleten.3 - Als de vulklep lekt tijdens het spuiten, reinigen of vervangen is versleten.

OPMERKING: Zorg ervoor dat u de drukontlasting volgt voordat u deze uitvoert en inspecteert of repareert Procedure. Probeer nooit enig onderhoud uit te voeren terwijl het apparaat is aangesloten op het stopcontact of onder druk staat.



EC - DECLARATION OF CONFORMITY

Models T4, T5, T7, T8, T9, T11

Part Number

599-800, 599-802, 599-804, 599-806, 599-810, 599-812, 599-814, 599-816, 599-818
599-827, 599-829, 600-800, 600-802, 600-804, 600-806, 600-810, 600-812, 600-814
600-816, 600-818, 600-827, 600-829, 600-830, 600-832, 600-834, 600-836, 600-840
600-842, 600-844, 600-846, 601-834, 601-836, 601-844, 601-846, 602-804, 602-806
602-814, 602-816, 602-834, 602-836, 602-844, 602-846

Complies with the EC Directives: 2006/42/EC Machinery Directive

Standards Used: ISO 1200, ISO 3744

Approved by:

Rollan Henderson

National Sales Manager

Manufactured by: August 27, 2021

TriTech Industries, Inc.

610 Rahway Avenue

Union, NJ 07083 U.S.A.

302-119B



EC - DECLARATION OF CONFORMITY

Models T360, T380, T420, T720, T750, T370IL

Part Number

500-150, 500-151, 500-152, 500-153, 500-150-GTH, 500-152-GTH

501-150, 501-155, 501-251, 501-255, 501-150-GTH, 501-155-GTH

503-150, 503-151, 503-152, 503-153, 503-150-GTH, 503-152-GTH

506-150, 506-151, 506-152, 506-153

507-150, 507-151, 507-152, 507-153

Complies with the EC Directives: 2006/42/EC Machinery Directive

Standards Used: ISO 1200, ISO 3744

Approved by:

Rollan Henderson

National Sales Manager

Manufactured by: August 27, 2021

TriTech Industries, Inc.

610 Rahway Avenue

Union, NJ 07083 U.S.A.

302-119B



WEEE Compliance

Statement

The mark shown to the right is in compliance with the Waste Electrical and Electronic Equipment Directive 2002/96/EC (WEEE). The mark indicates the requirement NOT to dispose of the equipment as unsorted municipal waste, but use the return and collection systems according to local law. Users should contact their supplier and check the terms and conditions of the purchase contract. When purchased directly from TriTech Industries, or a TriTech Industries Distributor you may contact technical support for disposal arrangements.

RoHS Compliance Statement

TriTech Industries products are designed to meet Reduction of Hazardous Substance Directive 2011/65/EU 8June2011, the product manufactured by TriTech Industries do not contain materials that exceed thresholds for cadmium, mercury, hexavalent chromium, Polybrominated diphenyl ethers (PBDEs) or other regulated substances.

Safety Compliance Statement

TriTech Industries product are certified meeting UL 1450 Issued: 2010/05/05 Ed: 4 Rev: 2013/11/01 Motor-Operated Air Compressors, Vacuum Pumps, & Painting Equipment and CSA C22.2#68 Issued: 2009/09/01 Ed: 7 Motor-Operated Appliances (Household and Commercial)-General Instruction No 1 : 2010/02/01 - General Instruction No. 2: 2010/09/28. TriTech Industries products are designed to conform to EN 55014-1 *Issue: 2006/12/01 Electromagnetic compatibility Requirements for electric tools and similar apparatus*, EN 55014-2 *Issued: 2001/12/01 EMC- Requirements for Electric Tools and Similar Apparatus, and European Union Low Voltage Directive (LVD) 2006/95/EC*

EXTENSION CORD VOLTAGE DROP				
120V	15 AMP	100'	200'	300'
14 AWG		110.6	101.2	91.8
12 AWG		114.1	108.1	102.2
10 AWG		116.3	112.5	108.8
LINE LOSS 1/4" HOSE STANDARD LATEX PAINT				
HORIZONTAL	AT PUMP		AT TIP	
50'	3300PSI	227 BAR	3150	217 BAR
100'	3300PSI	227 BAR	3100	213 BAR
150'	3300PSI	227 BAR	3050	210 BAR
200'	3300PSI	227 BAR	3000	207 BAR
250'	3300PSI	227 BAR	2950	203 BAR
300'	3300PSI	227 BAR	2900	199 BAR
VERTICAL				
50'	3200	220 BAR	3135	216 BAR
100'	3200	220 BAR	3070	211 BAR
150'	3200	220 BAR	3005	209 BAR
200'	3200	220 BAR	2940	202 BAR
250'	3200	220 BAR	2875	198 BAR
300'	3200	220 BAR	2810	193 BAR

PRESSURE RELIEF PROCEDURE

!! IMPORTANT !!

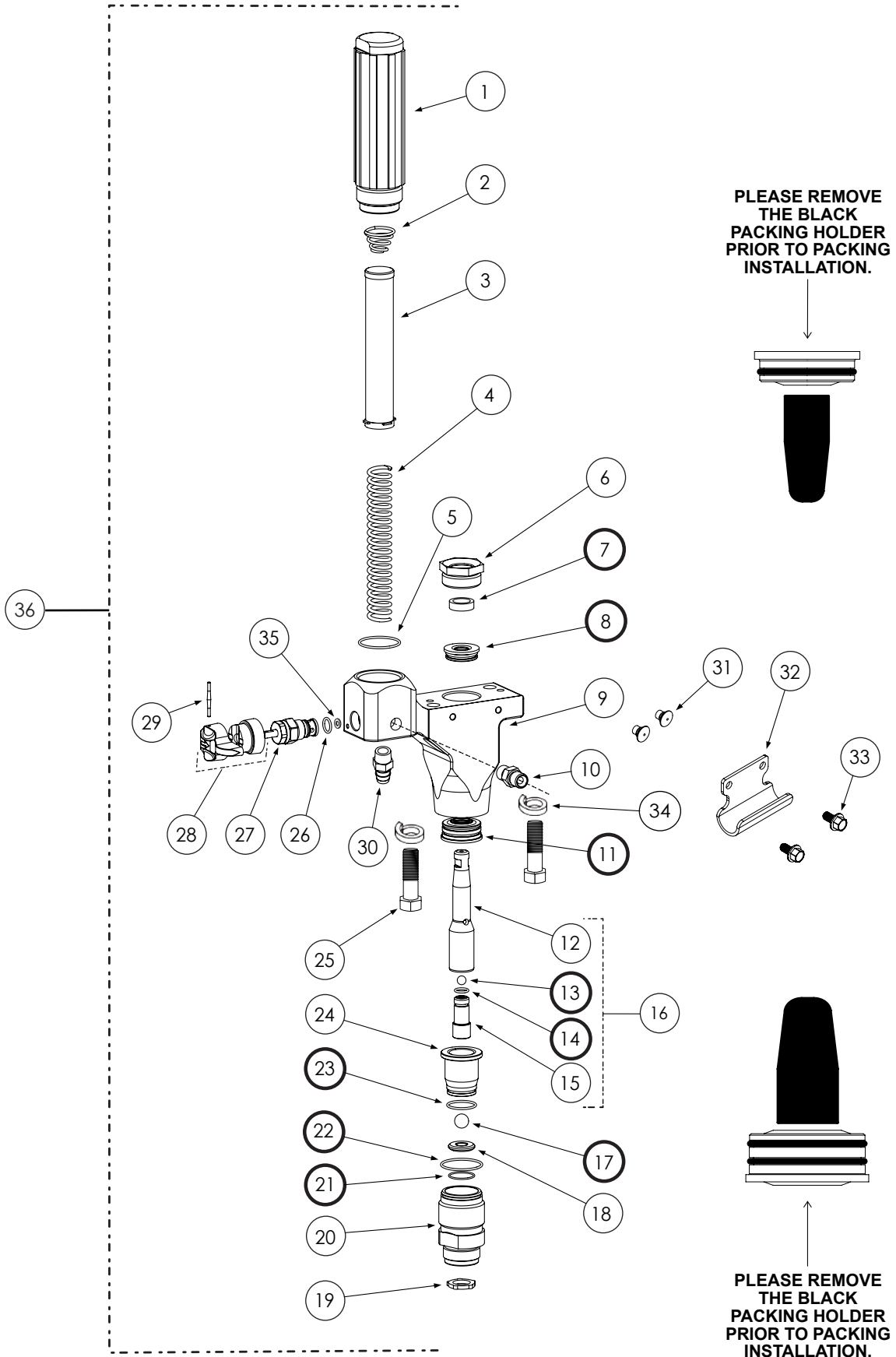
The sprayer's pressure must be manually relieved to prevent sprayer from starting or spraying fluid accidentally. Fluid under high pressure can be injected through skin and cause serious injury. To reduce risk of injury from injection, splashing fluid, or moving parts, please use the following **Pressure Relief Procedure** whenever you:

- Are instructed to relieve pressure
- Stop spraying
- Have to check or service your equipment
- Are installing or cleaning the spray tip

PRESSURE RELIEF PROCEDURE

1. Turn the pressure control knob all the way to the left to stop the unit from pumping.
2. Turn the On/Off switch to the ***OFF*** position.
3. Unplug the power cord from the wall.
4. Hold the metal part of the gun firmly to a grounded metal container and trigger the gun to relieve the pressure.
5. Engage the trigger lock.
6. Open the prime valve (The valve is in prime or open position when the handle is pointing down) and leave it open until you are ready to spray again.

DIAGRAM A T7 FLUID MANIFOLD



T7 FLUID MANIFOLD PARTS LIST

NOTE: Items in bold are included in 600-455 packing kit

ITEM #	PART #	DESCRIPTION	QTY
1	600-211	FILTER HOUSING	1
2	600-255	FILTER SPRING	1
3	600-141-02	MANIFOLD FILTER, 20 MESH	1
4	600-240	FILTER CORE	1
5	600-353	O-RING	1
6	600-033-75	UPPER RETAINER	1
7	600-035	UPPER GUIDE	1
8	600-017	UPPER PACKING	1
9	600-0083-75	PUMP HOUSING	1
10	600-037	NIPPLE, 1/4" NPT X 1/4" NPS, SST	1
11	600-024	LOWER PACKING	1
12	600-099-75	PISTON ROD	1
13	600-047	UPPER BALL	1
14	101-001	O-RING	1
15	600-142-75	PISTON VALVE	1
16	600-090-75	PISTON ROD COMPLETE (Includes 12-15)	1
17	600-022	LOWER BALL	1
18	600-021	INTAKE VALVE SEAT	1
19	600-234	GASKET	1
20	600-013	INTAKE VALVE HOUSING	1
21	600-279	O-RING	1
22	600-353	O-RING	1
23	600-367	O-RING	1
24	600-087	GUIDE, BALL / PISTON	1
25	599-199	HEX BOLT	2
26	600-166	O-RING	1
27	600-157	PRIME / SPRAY VALVE (Includes 26 & 35)	1
28	600-437	HANDLE & CAM KIT (Includes 29)	1
29	600-214	PIN	1
30	600-208	FITTING, HOSE BARBED	1
31	600-242	PLUG (Stand & Lo Cart Only)	2
32	600-320	PAIL HOOK (Hi Cart Only)	1
33	600-541	SCREW (Hi Cart Only)	2
34	599-222	LOCK WASHER	2
35	600-174	GASKET	1
36	600-335	PUMP COMPLETE	1
	600-455	PACKING KIT Includes the following items: (7,8,11,13,14,17,21,22,23)	

OPTIONAL MANIFOLD FILTERS	
600-141-05	MANIFOLD FILTER, 50 MESH
600-141-10	MANIFOLD FILTER, 100 MESH

PACKING REMOVAL TOOL	
602-667	PACKING REMOVAL TOOL
602-668	PACKING REMOVAL TIPS (2)

FLUID MANIFOLD SERVICE AND REPAIR

REPACKING FLUID MANIFOLD

IMPORTANT! FOLLOW THE PRESSURE RELIEF PROCEDURE AS STATED ON PAGE 41

IMPORTANT! UNPLUG THE UNIT.

1. Remove the suction set by unthreading the nut (#1) in Diagram F. Then pull the elbow straight down out of the inlet valve housing (#20) in Diagram A. If you have a Hi Cart, unthread the suction tube #3 on Diagram G.
2. Remove the filter housing (#1), the Filter (#3) and the filter core (#4) in Diagram A.
3. Remove the intake valve housing (#20) in Diagram A.
4. Remove the piston guide (#24) in Diagram A, by inserting a flat head screw driver into the gap between the piston guide and the intake valve housing. Gently twist the screw driver until the piston guide pops up and is free from the intake valve housing.
5. Empty the contents of the intake valve housing (lower ball & intake valve seat) Carefully inspect the lower ball (#17) and the intake valve seat (#18) for any chips or cracks and replace if worn. The seat is two-sided and can be flipped over if one side is damaged. If you are repacking the unit, you must always replace the lower ball (#17) and the gaskets (#22) and (#21) in Diagram A.
6. Insert a 15/16" hex key into the piston valve (#15) in Diagram A, and turn counter clockwise to remove. When you remove the piston valve, there will be an upper ball (#13) and an o-ring (#14) that will come out with it. Carefully inspect the upper ball and the carbide seat in the top of the piston valve for any cracks or chips and replace if worn. If you are repacking the unit, always replace the upper ball (#13) and the o-ring (#14) in Diagram A.
7. To remove the fluid manifold, Diagram A, unthread the transducer #19 in Diagram C from the back of the pump housing #9, Diagram A using a 3/4" open end wrench. Use a small pair of pliers to hold the transducer while loosening the nut to keep from damaging the transducer. Remove the two hex bolts, #25, Diagram A, using a 5/8" socket wrench.
8. Remove the Front Cover (#11) in Diagram B.
9. Remove the motor cover (#3) in Diagram B by removing the three screws (#1) and pulling the motor cover straight back off the motor.
10. Spin the fan (#14) in Diagram B in either direction. The pump housing will lower down away from the crank housing (#9) in Diagram B. Once the pump housing has cleared the aligning pins on the bottom of the crank housing, slide the fluid manifold off the connecting rod (#12) in Diagram B.
11. Place the pump housing in a vise and use a 1" open end or adjustable wrench to remove the upper retainer (#6) in Diagram A.
12. Remove the piston rod (#12) in Diagram A by tapping the top of the piston rod with a rubber mallet.
13. Remove the upper packing (#8) and lower packing (#11) in Diagram A. Inspect both the upper and lower backings for wear. If you do not intend to replace the packings, do not remove them.
14. When replacing the packings, make sure to apply packing grease to the inside and outside of the packings prior to insertion. The grease is supplied with the packing kit 600-455.
15. Remove the black packing holder from the upper and lower packings, and apply the grease. The smaller upper packing (#8) in Diagram A is to be inserted into the top of the pump housing. The packing will only go in direction.
16. Insert the upper guide (#7) into the upper retainer (#6) in Diagram A and thread the upper retainer into the pump housing. Leave the upper retainer hand-tight until the piston is installed.
17. Insert the lower packing (#11) into the pump housing. It will only go in one direction.
18. Hold the piston rod (#12) upside down and insert the upper ball (#13). Replace the o-ring (#14) on the piston valve (#15) and thread the piston valve back into the piston rod. Slide the piston rod into the connecting rod (#12) in Diagram B to hold it steady while you tighten the piston valve firmly.
19. Replace o-rings (#21, 22, 23) in Diagram A. Insert the intake valve seat (#18) and the lower ball (#17) into the intake valve housing (# 20) all in Diagram A. Insert the piston guide into the intake valve housing pressing firmly until it snaps into place.
20. Place the piston rod into the intake valve assembly. Use the intake valve assembly to insert the piston rod through the lower packing. When you thread the intake valve assembly into the pump housing, it will seat the lower packing correctly and drive the piston through the upper packing. Use a number 12 adjustable wrench to tighten.

FLUID MANIFOLD SERVICE AND REPAIR

REPACKING FLUID MANIFOLD (CON'T)

21. Insert a pair of needle nose pliers into the slots on the top of the piston rod. Pry up on the Piston Rod and turn it to align the slots front to back.
22. Use a 1" open end or an adjustable wrench to tighten the upper retainer (#6) in Diagram A firmly.
23. Slide the slots of the piston rod onto the connecting rod.
24. Gently turn the fan in either direction and it will draw the pump assembly up to the crank housing. Be careful to make sure the alignment pins line up while seating the pump housing.
25. Attach the transducer to the back of the pump housing. Make sure the o-ring (#18) in Diagram C, is in place before threading it in. Tighten it firmly with a 3/4" open end wrench, while holding the steel tubing with a pair of pliers.
26. Use a 5/16" Socket Wrench to insert the two hex bolts into the bottom of the pump housing and tighten firmly.
27. Replace the Front Cover (#11) in Diagram B.
28. Replace the Motor Cover and tighten the three screws (#1) snug.
29. Re-attach the suction assembly. Make sure to apply some packing grease to the two o-rings (#4) in Diagram E before inserting the elbow into the intake valve assembly. Push the elbow straight in until it stops. Thread the nut (#1) in Diagram E back onto the intake valve assembly snugly, but hand-tight.

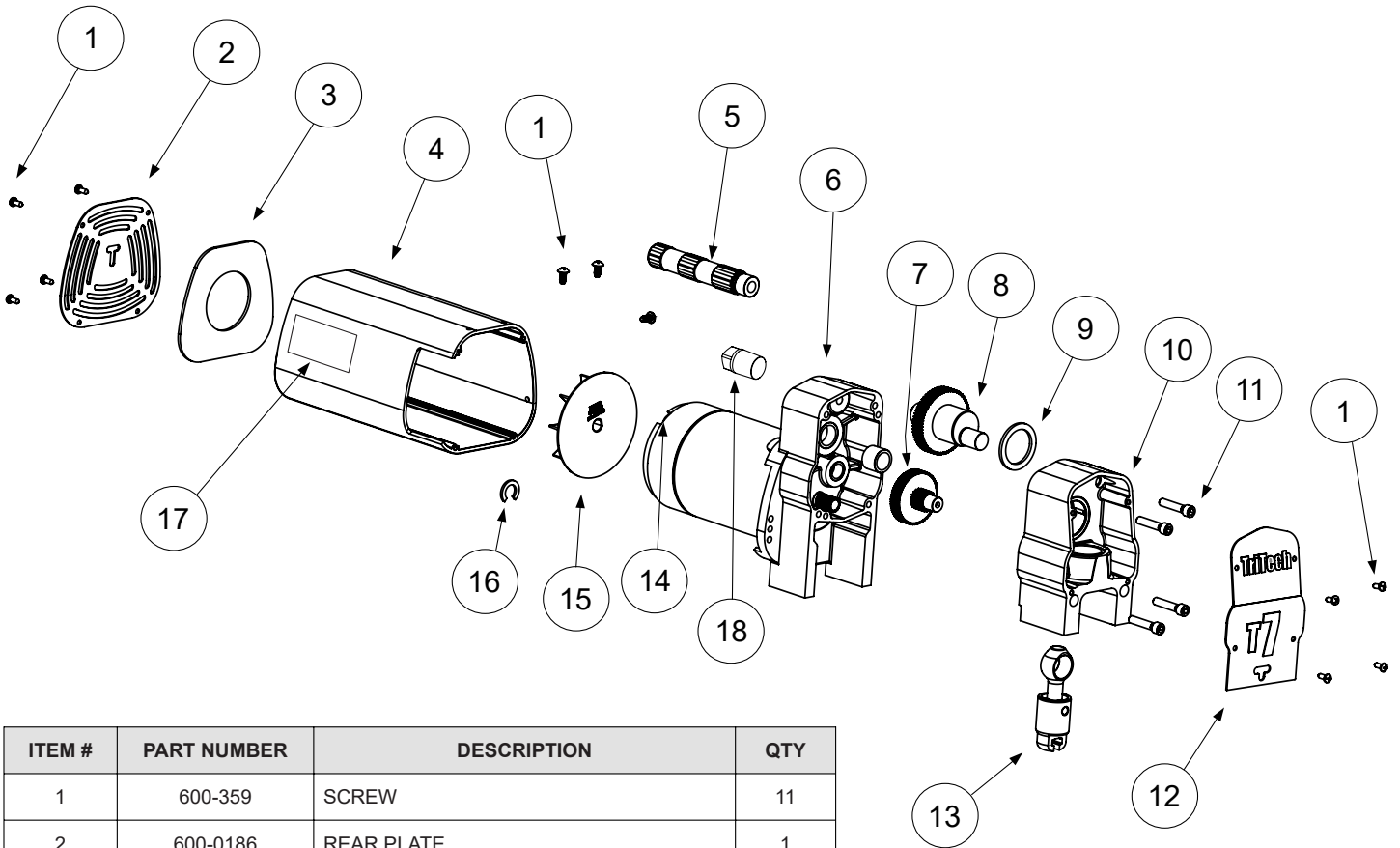
REPLACING THE PRIME / SPRAY VALVE

1. Using a 3/32" punch, knock out the pin (#29) from the black handle (#28) in Diagram A.
2. Remove the black handle and cam exposing the prime/spray valve (#27) in Diagram A.
3. Using a 3/4" open end or adjustable wrench, remove the prime/spray valve and inspect. Replace if worn or leaking.

REPLACING THE MANIFOLD FILTER

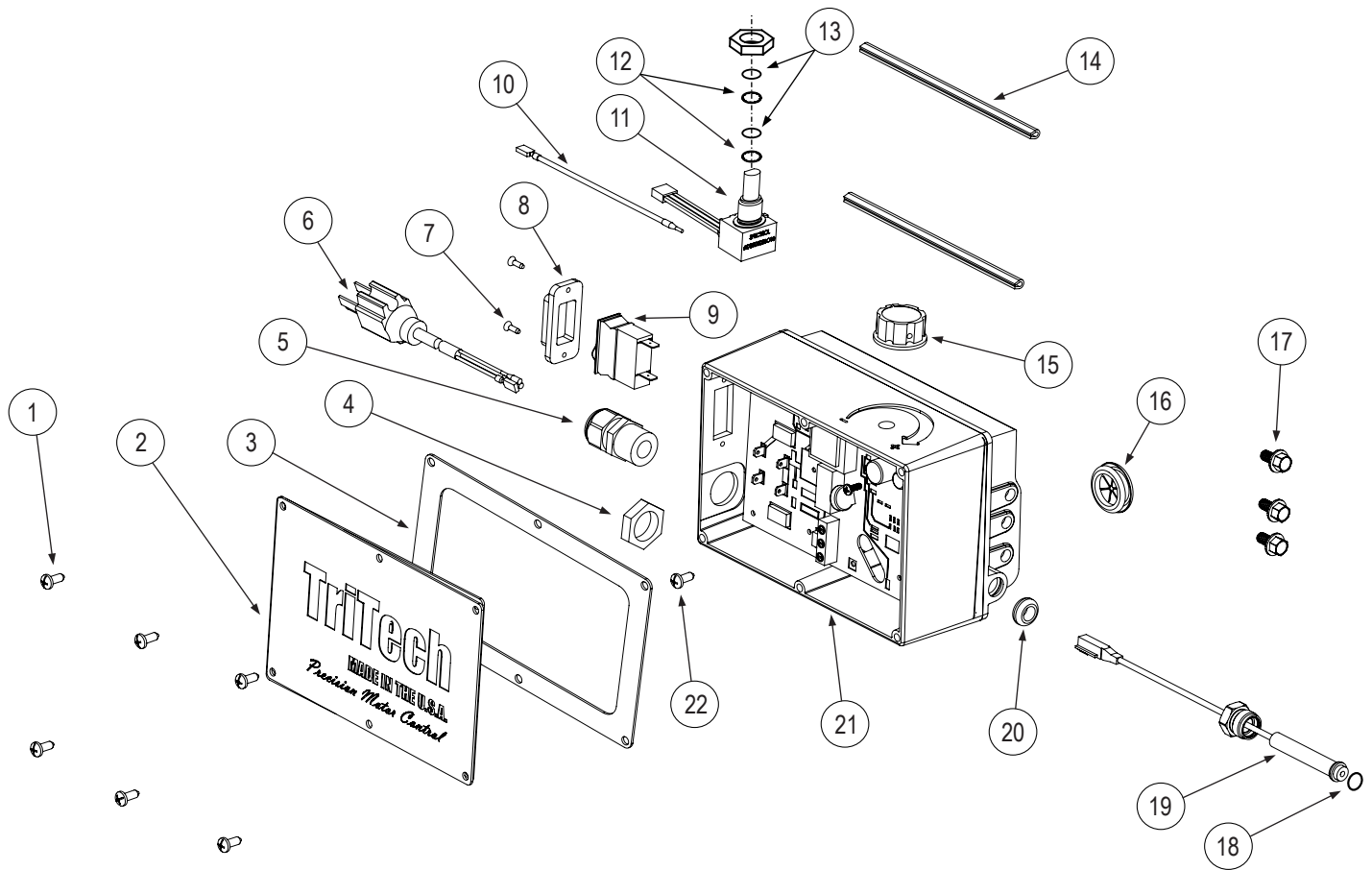
1. Remove the filter housing (#1) in Diagram A from the pump housing. New pumps from the factory will be tight and you will need to use an adjustable wrench to loosen.
2. Remove the filter (#3) and the filter core (#4) in Diagram A. Clean both components and if the filter is damaged or worn, replace.
3. When screwing the filter housing back in, make sure it is snug but hand-tight.

DIAGRAM B T7 MOTOR & GEARBOX



ITEM #	PART NUMBER	DESCRIPTION	QTY
1	600-359	SCREW	11
2	600-0186	REAR PLATE	1
3	600-558	BAFFLE	1
4	600-0190	MOTOR COVER	1
5	600-331	HANDLE	1
6	600-545	MOTOR 110V (Includes 5, 14, 15, 16, 18)	1
6	600-546	MOTOR 220V (Includes 5, 14, 15, 16, 18)	1
7	600-178	REDUCER GEAR	1
8	600-185-75	CRANKSHAFT	1
9	600-307	THRUST WASHER	1
10	600-317	CRANK HOUSING	1
11	600-316	SCREW	4
12	600-113	FRONT COVER	1
13	600-0108	CONNECTING ROD	1
14	600-581	BRUSHES 110V (SET OF 2)	1
14	600-582	BRUSHES 220V (SET OF 2)	1
15	600-356	FAN	1
16	600-494	SNAP RING	1
17	302-059	LABEL, FIRE / EXPLOSION	1
18	600-438	PLUG	1

DIAGRAM C T7 CONTROL BOX



ITEM #	PART #	DESCRIPTION	QTY
1	600-359	SCREW	6
2	599-319	CONTROL BOX COVER	1
3	599-417	GASKET	1
4	600-129	STRAIN RELIEF LOCK NUT	1
5	600-128	STRAIN RELIEF CORD GRIP	1
6	600-131	POWER CORD 110V	1
6	600-151	POWER CORD 220V	1
6	600-481	POWER CORD 110V UK	1
6	600-148	POWER CORD 220V AUSTRALIA	1
7	600-411	SCREW	2
8	600-122	SWITCH COVER 110V	1
8	600-124	SWITCH COVER 220V	1
9	600-121	SWITCH 110V	1
9	600-126	SWITCH 220V	1
10	600-366	SWITCH TO BOARD WIRE 110V	1
10	600-366	SWITCH TO BOARD WIRE 220V	2
11	600-364	POTENTIOMETER	1

ITEM #	PART #	DESCRIPTION	QTY
12	600-592	LOCK WASHER	2
13	600-419	O-RING	2
14	600-264-1	EDGE LINER (6.75" Long)	1
15	600-123	KNOB	1
16	600-271	GROMMET	1
17	600-401	SCREW	3
18	600-418	O-RING	1
19	600-036	TRANSDUCER	1
20	600-337	GROMMET	1
21	600-288	CONTROL BOARD & BOX 110V	1
21	600-289	CONTROL BOARD & BOX 220V	1
22	600-519	SCREW	1
	600-635	CONTROL BOX COMPLETE 110V	1
	600-636	CONTROL BOX COMPLETE 220V	1
	600-637	CONTROL BOX COMPLETE 220V AUSTRALIA	1
	600-638	CONTROL BOX COMPLETE 110V UK	1

DIAGRAM D T7 110V WIRING DIAGRAM

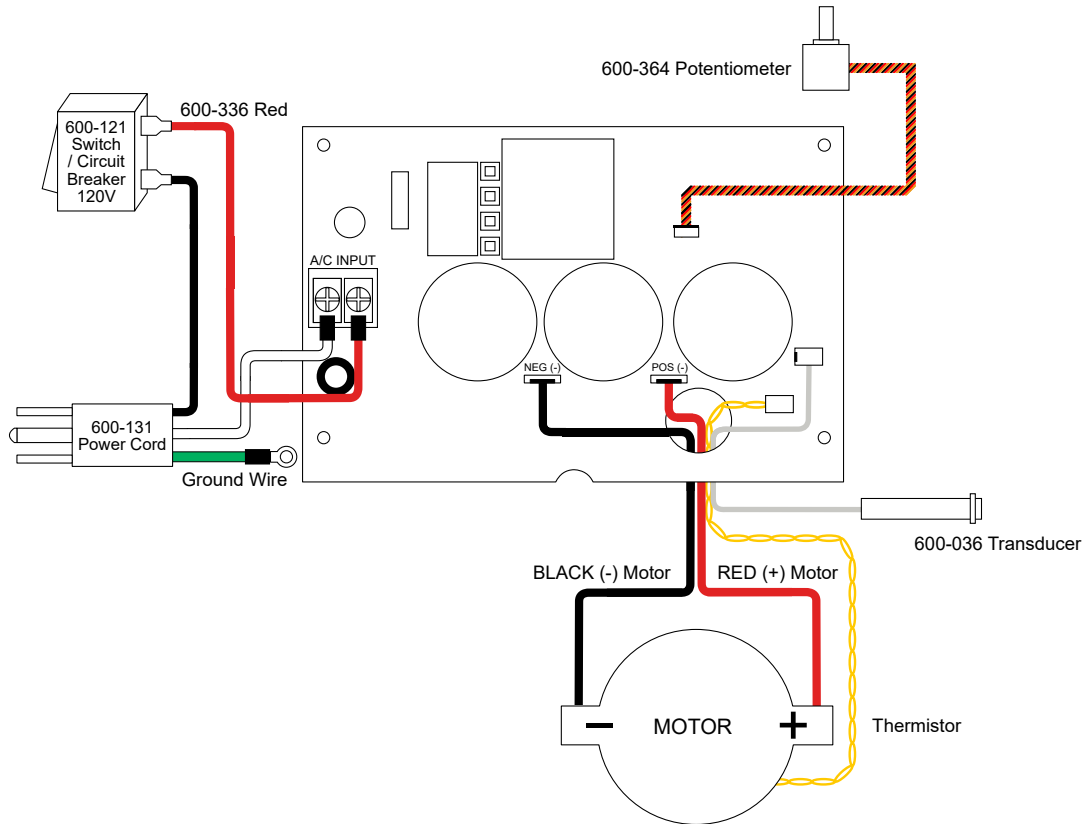
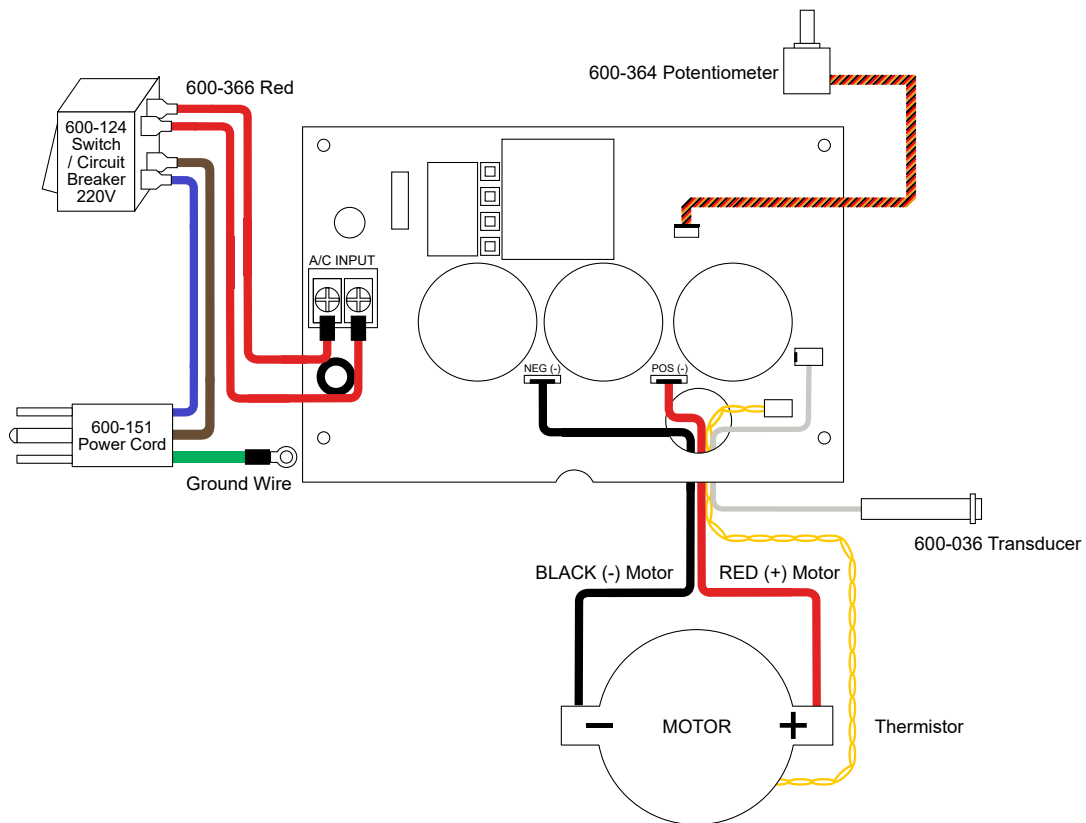


DIAGRAM D T7 220V WIRING DIAGRAM



REPLACE CONTROL BOX

Follow pressure relief procedure before attempting to service or repair unit.

1. If trouble shooting guide suggests replacing the control box follow the directions below.
2. Remove 6 screws #1 and remove cover plate #2, Diagram C.
3. Unthread transducer #19, Diagram C, from pump housing #9, Diagram A.
4. Disconnect motor leads from circuit board. See Diagram "D/E"
5. Remove 3 mounting screws #17 Diagram C. Unthread the filter housing for easier access.
6. Remove control box containing circuit board, On/Off switch and potentiometer.
7. Replace in reverse order. Note: Removing motor housing will make it easier to install control box.

REPLACE POTENTIOMETER

Follow pressure relief procedure before attempting to service or repair unit.

If trouble shooting guide suggests replacing the potentiometer follow the directions below.

1. Remove 6 screws #1 and remove the control box cover #2 Diagram C.
2. Disconnect the leads from potentiometer #11 to circuit board and remove knob #15 on Diagram C.
3. Replace in reverse order.

REPLACE TRANSDUCER

Follow pressure relief procedure before attempting to service or repair unit.

If trouble shooting guide suggests replacing the transducer follow the directions below.

1. Remove 6 screws #1 and remove control box cover #2 in Diagram C.
2. Unplug the transducer wire (gray) and positive and negative motor leads (red & black) from the circuit board on Diagram D/E
3. Loosen transducer nut with a $\frac{3}{4}$ " open end wrench and slide transducer out of the back of the pump housing. Use a pair of needle nose pliers to hold the transducer while loosening the nut.
4. Remove 3 screws #17. Diagram C Make sure to firmly hold control box in place.
5. Gently remove the control box while feeding the red and black motor wires through the grommet #16 on Diagram C. Remove transducer by guiding the wires through the circuit board and out the back of control box.
6. Install the new transducer by sliding the wire through the grommet #20 and continue through the circuit board. Diagram C
7. Feed the red and black motor leads back through the grommet #16 and through to the front of the circuit board.
8. Place the control box back in place and insert the three screws #17 and tighten. Diagram C
9. Insert the transducer back into the back of the pump housing making sure the two o-rings are in place. Begin threading the transducer nut by hand. When you are ready to tighten the transducer nut, use a small pair of pliers to hold the transducer to avoid damage to the transducer.
10. Reconnect transducer wire and the red and black motor leads to the circuit board. Diagram D/E
11. Replace the control box cover and tighten all 6 screws.

REPLACE ON/OFF SWITCH

Follow pressure relief procedure before attempting to service or repair unit.

If trouble shooting guide suggests replacing the on/off switch follow the directions below.

1. Remove 6 screws #1 and remove cover plate #2.
2. Disconnect the two leads from the on/off switch. See Diagram "D/E"
3. Remove mounting screws #7.
4. Remove switch cover plate #8 and remove the on/off switch #9.
5. Replace in reverse order.

REPLACE MOTOR BRUSHES

Follow pressure relief procedure before attempting to service or repair unit.

If trouble shooting guide suggests replacing the motor brushes follow the directions below.

1. Remove 3 screws #1 from motor cover and remove cover #3. See Diagram "B"
2. Use a straight blade screwdriver to remove brush retaining cap to expose motor brushes.
3. Remove motor brushes #13 one at a time. Inspect. Replace if worn or damaged
4. Reassemble in reverse order. When reinstalling motor brushes make sure to have red and black wire leads to the back of the motor housing.

REPLACE MOTOR

Follow pressure relief procedure before attempting to service or repair unit.

If trouble shooting guide suggests replacing the motor follow the directions below.

REMOVE MOTOR

1. Remove 3 screws #1, Diagram B, and remove motor cover #3, Diagram B.
2. Remove 6 screws #1, Diagram C and remove control box cover #2, Diagram c.
3. Disconnect **BLACK & RED** motor leads from the circuit board, Diagram D/E.
4. Remove 4 screws #1 and remove the front cover #11, Diagram B.
5. Unthread the transducer #19, Diagram C and slide the transducer back away from the pump housing #9, Diagram A.
6. Remove 4 screws #10 Diagram B and remove the crank housing #9 Diagram B and Fluid Manifold #35 Diagram A together.
7. Remove the crankshaft #7 and thrust washer #8, both in Diagram B.
8. Remove the reducer gear #6, Diagram B.
9. Remove 3 screws #18, Diagram C and remove the control box from the motor.
10. Remove 4 bolts #5, Diagram I, from underneath to separate the motor and gearbox from the frame assembly.

INSTALL MOTOR

1. Install reducer gear #6, Diagram B into the gearbox and rotate the fan to ensure the armature shaft is engaging.
2. Install the crankshaft #7 and the thrust washer #8, both in Diagram B.
3. Fill the gear box #5, Diagram B with a #2 Lithium based grease.
4. Complete reassembly in reverse order starting at #10 above.
5. Insert 4 bolts #5, Diagram I, from underneath to connect the motor and gearbox to the frame assembly.
6. Insert 3 screws #18, Diagram C and reattach the control box to the motor.
7. Insert 4 screws #10, Diagram B and reattach the crank housing #9 Diagram B and Fluid Manifold #35 Diagram A together.
8. Thread the transducer #19, Diagram C into the back of the pump housing #9, Diagram A.
9. Reattach the transducer wire to the circuit board. Diagram D/E.
10. Reattach the **BLACK** and **RED** motor leads to the circuit board. Diagram D/E.
11. Insert 6 screws #1, to reattach the control box cover #2 both in Diagram C.
12. Slide the motor cover #3 Diagram B, back onto the motor and insert 3 screws #1 to attach.
13. Insert 4 screws #1 to attached the front cover #11, all in Diagram B.

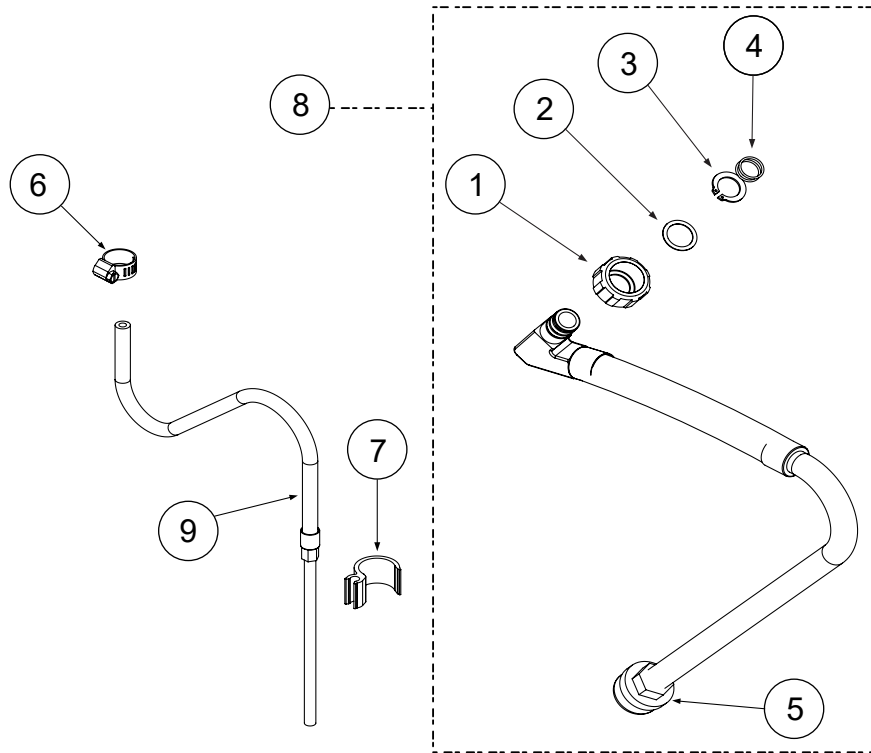
REPLACE GEARS/CONNECTING ROD

Follow pressure relief procedure before attempting to service or repair unit.

If trouble shooting guide suggests replacing the gears or connecting rod follow the directions below.

1. Remove 4 screws #1 and remove cover plate #11, Diagram B.
2. Remove 2 screws #25 and unthread transducer #19, Diagram C and remove pump/filter manifold.
4. Remove 4 screws # 10 Diagram B then remove crank housing. Connecting rod can be replaced at this point.
5. The reducer gear #6 and crankshaft #7, Diagram B can also be replaced at this point.
6. Complete reassemble in reverse order.

DIAGRAM F SUCTION ASSEMBLY T4, T5, T7, T8 STAND / LO CART

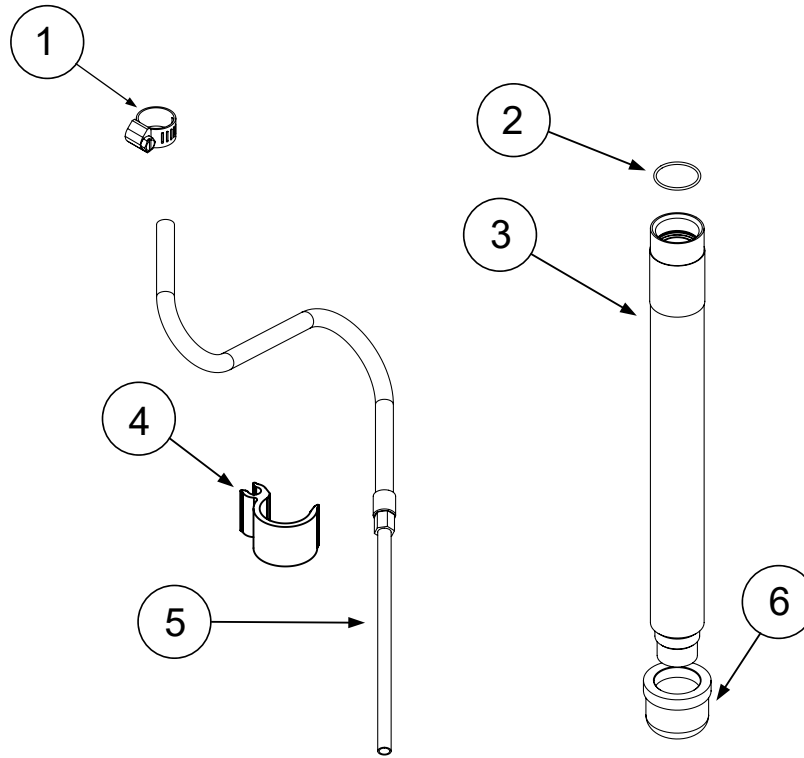


STAND / LO CART SUCTION ASSEMBLY

ITEM #	PART NUMBER	DESCRIPTION	QTY
1	600-233	NUT	1
2	600-168	WASHER	1
3	600-236	SNAP RING	1
4	600-164	O-RING	2
5	600-066-15	SUCTION FILTER, 15 MESH	1
6	600-542	HOSE CLAMP	1
7	600-442	HOSE CLIP	1
8	600-213	SUCTION HOSE ASSEMBLY	1
10	600-212	PRIME HOSE	1

OPTIONAL SUCTION FILTER	
600-066-30	SUCTION FILTER, 30 MESH

DIAGRAM G SUCTION ASSEMBLY T4, T5, T7, T8 HI CART

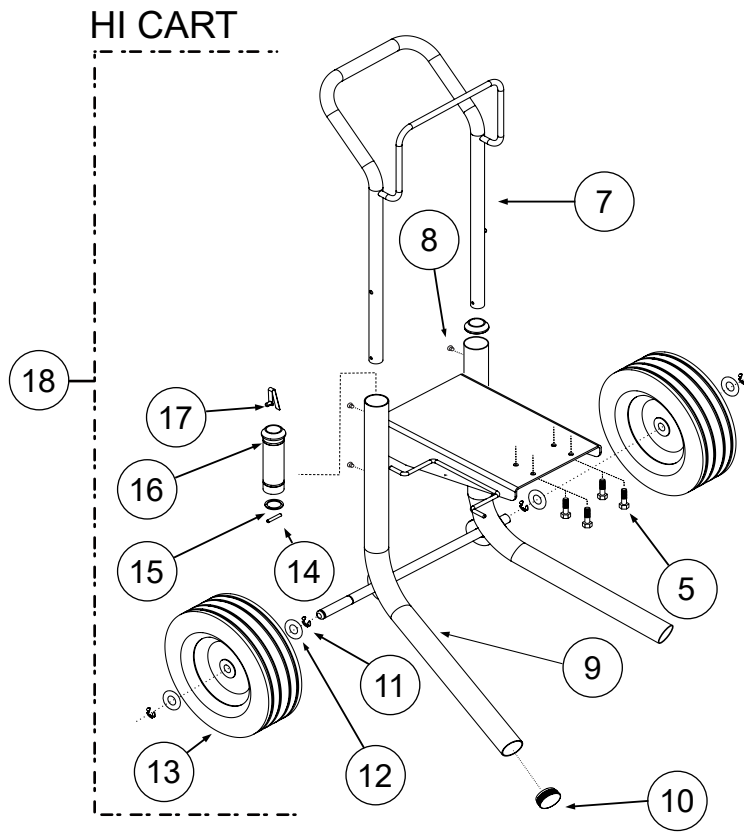


HI CART SUCTION ASSEMBLY

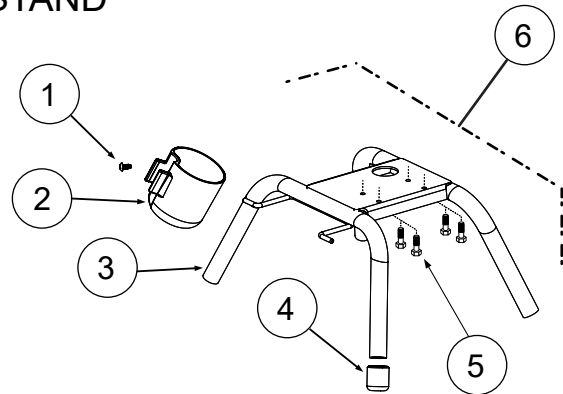
ITEM #	PART NUMBER	DESCRIPTION	QTY
1	600-542	HOSE CLAMP	1
2	600-406	O-RING	1
3	600-396	SUCTION TUBE D.I.	1
4	600-471	HOSE CLIP	1
5	600-512	PRIME HOSE	1
6	600-085-10	SUCTION FILTER, 10 MESH	1

OPTIONAL SUCTION FILTER	
600-085-15	SUCTION FILTER, 15 MESH
600-085-30	SUCTION FILTER, 30 MESH

DIAGRAM I FRAME ASSEMBLIES T4 / T5 / T7 / T8



STAND

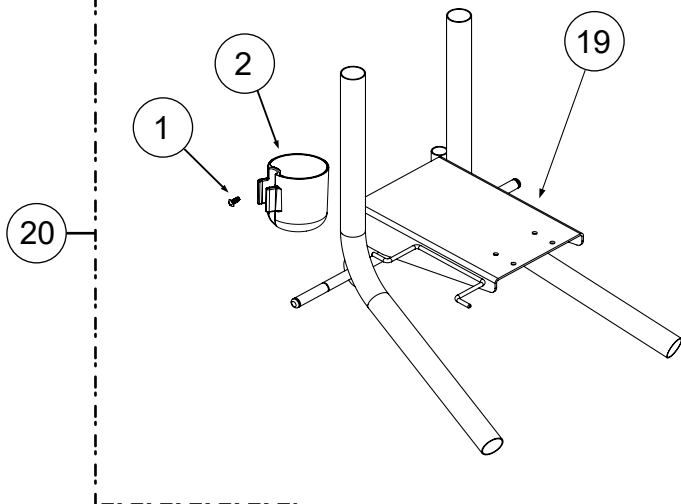


LO CART / HI CART / STAND FRAMES

ITEM #	PART NUMBER	DESCRIPTION	QTY
1 **	600-198	SCREW	1
2	600-351	CUP	1
3	600-215	STAND (BARE)	1
4	600-398	FRAME CAP	4
5	600-439	BOLT	4
6	600-407	STAND COMPLETE (Excludes 5)	1
7	600-388	HANDLE	1
8	600-382	SCREW	4
9	600-389	HI CART BASE FRAME	1
10	600-397	FRAME CAP	2
11	600-399	SNAP RING	4
12	600-468	WASHER	4
13	600-373	WHEEL	2
14	600-381	PIN	2
15	600-379	WASHER	2
16	600-378	HANDLE GUIDE	2
17	600-391	BUTTON SNAP	2
18	600-375	HI CART COMPLETE (Excludes 1,2 & 5)	1
19	600-429	LO CART BASE FRAME	1
20	600-430	LO CART COMPLETE (Excludes 5)	1

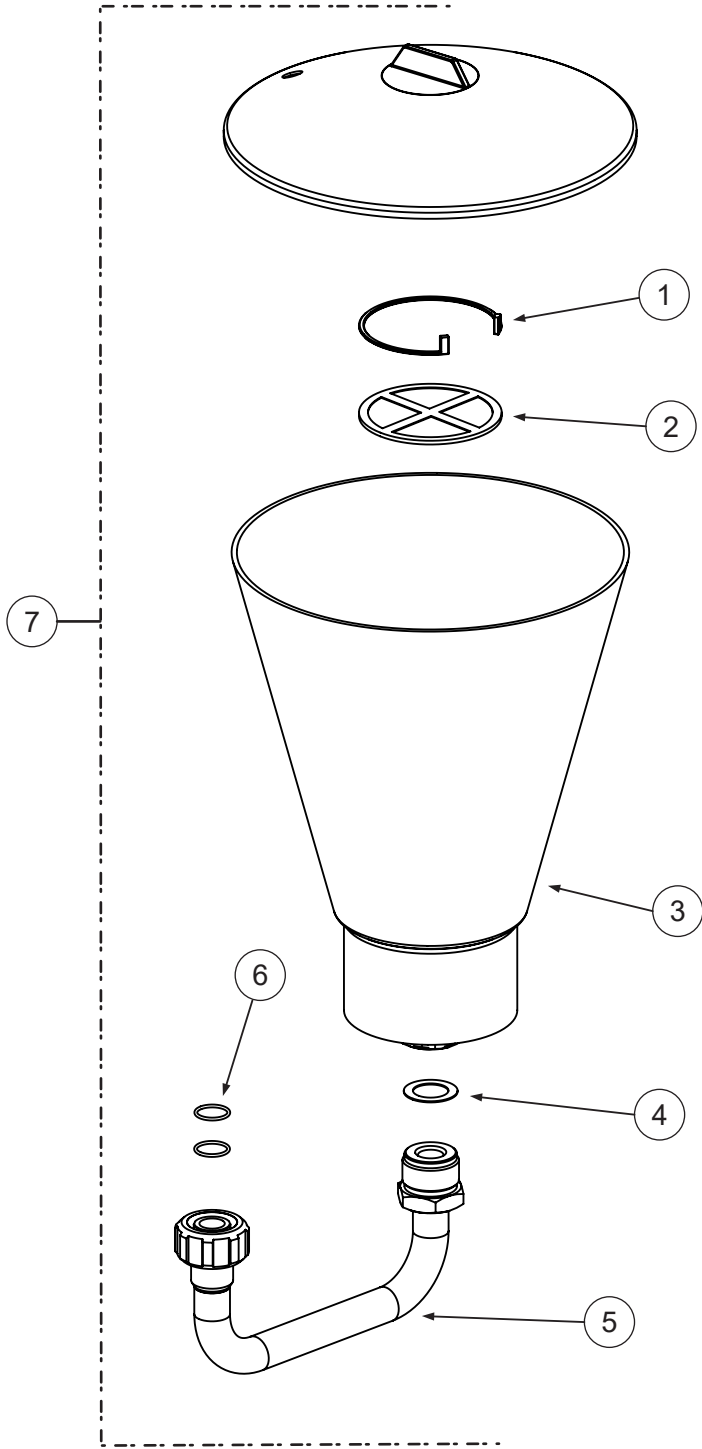
LO CART

NOTE: All of the parts needed to complete the lo cart frame are listed above with the hi cart frame.



** DRILL SELF TAPPING SCREW (1) THROUGH THE TAB ON THE CUP (2) INTO THE FRAME.

DIAGRAM J HOPPER ASSEMBLY



ITEM #	PART NUMBER	DESCRIPTION	QTY
1	600-570	CLIP SPRING	1
2	600-569	FILTER DISC	1
3	600-531	HOPPER (Lid Included)	1
4	600-562	GASKET	1
5	600-539	HOPPER TUBE (Includes 6)	1
6	600-164	O-RING	2
7	600-556	HOPPER ASSEMBLY	1

NOTES

NOTES

WARRANTY

TriTech Industries Inc., warrants all equipment referenced in this manual which is manufactured by TriTech to be free from defects in material and workmanship on the date of sale to the original purchaser for use. With the exception of any special, extended, or limited warranty published by TriTech, TriTech will for a period of twenty four months from the date of sale, repair or replace any part of the equipment determined by TriTech to be defective. This warranty applies only when the equipment is installed, operated and maintained in accordance with TriTech's written recommendations.

This warranty does not cover, and TriTech shall not be liable for general wear and tear, or any malfunction, damage or wear caused by faulty installation, misapplication, abrasion, corrosion, inadequate or improper maintenance, negligence, accident, tampering or substitution of non-TriTech component parts. Nor shall TriTech be liable for malfunction, damage or wear caused by the incompatibility of TriTech equipment with structures, accessories, equipment or materials not supplied by TriTech, or the improper design, manufacture, installation, operation or maintenance of structures, accessories, equipment or material not supplied by TriTech.

This warranty is conditioned upon the prepaid return of the of the equipment claimed to be defective to TriTech or an authorized TriTech distributor/service center for verification of the claimed defect. If the claimed defect is verified, TriTech will repair or replace free of charge any defective parts. If inspection of the equipment does not disclose any defect in material or workmanship, repairs will be made at a reasonable charge, which charges may include the cost of parts, labor, and transportation.

THIS WARRANTY IS EXCLUSIVE, AND IS IN LIEU OF ANY OTHER WARRANTIES, EXPRESS OR IMPLIED, INCLUDING BUT NOT LIMITED TO WARRANTY OF MERCHANTABILITY OR WARRANTY OF FITNESS OR A PARTICULAR PURPOSE.

TriTech's sole obligation and buyer's sole remedy for any breach of warranty shall be as set forth above. The buyer agrees that no other remedy (including, but not limited to, incidental or consequential damages for lost profits, lost sales, injury to person or property, or an other incidental or consequential loss) shall be available. Any action for breach of warranty must be brought within two (2) year of the date of sale.

TriTech MAKES NO WARRANTY, AND DISCLAIMS ALL IMPLIED WARRANTIES OF MERCHANTABILITY AND FITNESS FOR A PARTICULAR PURPOSE, IN CONNECTION WITH ACCESSORIES, EQUIPMENT, MATERIALS OR COMPONENTS SOLD BUT NOT MANUFACTURED BY TriTech. Those items sold, but not manufactured by TriTech (such as electric motors, switches, hose, etc.), are subject to the warranty, if any, of their manufacturer. TriTech will provide purchaser with reasonable assistance in making any claim for breach of these warranties.

In no event will TriTech be liable for indirect, incidental, special or consequential damages resulting from TriTech supplying equipment here-under, or the furnishing, performance, or use of any products or other goods sold hereto, whether due to a breach of contract, breach of warranty, the negligence of TriTech, or otherwise.

ADDITIONAL WARRANTY COVERAGE

TriTech may provide extended warranty and wear warranty for products described in the "TriTech Extended Warranty Program".