

## GRAVITY SPRAY GUNS series

# Classic plus

- **W-400 Bellaria**
- **W-400 WBX • W-400 WB**
- **W-400**
- **LHP-400**

**WBX**  
ME

**W400 WB**

**W400**



GB

IT

FR







ES

PT

DE

SV

TECHNICAL DATA

Classic Plus									
W-400	W400-082G	0.8	LV2	2.0	280	290	360	60	80
	W400-102G	1.0						95	150
	W400-122G	1.2						140	175
	W400-132G	1.3						160	225
	W400-142G	1.4						210	255
	W400-162G	1.6						240	270
	W400-182G	1.8						320	260
	W400-202G	2.0						460	320
W400-251G	2.5	580	340						
W-400 Bellaria	W400-104G	1.0	BA4-1	2.0	250	270	390	130	200
	W400-124G	1.2						180	220
	W400-134G	1.3						220	280
	W400-144G	1.4						250	300
	W400-164G	1.6						285	330
	W400-184G	1.8						360	375
	W400-204G	2.0						375	390
W-400 WB	W400 WB-101G	1.0	WB1	1.8	230	390	400	90	230
	W400 WB-121G	1.2						120	260
	W400 WB-131G	1.3						140	280
	W400 WB-141G	1.4						160	290
	W400 WB-132G	1.3						160	300
	W400 WB-142G	1.4						160	310
	W400 WB-162G	1.6						250	340
WBX	W400 WBX-124G	1.2	WBX	2.0	370	400	400	150	360
	W400 WBX-134G	1.3						195	390
	W400 WBX-144G	1.4						200	390
LPH-400	LPH-400-124LV	1.2	LV4	1.1	270	400	400	90	260
	LPH-400-134LV	1.3						110	280
	LPH-400-144LV	1.4						130	290
	LPH-400-164LV	1.6						150	270
	LPH-400-184LV	1.8						190	320

Nozzle_Needle set Combination			
	Fluid Nozzle		Fluid Needle
	Size	Mark	Mark
W-400	0.8 (0.031)	W200/08	20012H
	1.0 (0.039)	W200/10	40012
	1.2 (0.047)	W200/12	40012
	1.3 (0.051)	W200/13	20015
	1.4 (0.055)	W200/14	20015
	1.6 (0.063)	W200/16	20015
	1.8 (0.071)	W200/18	20018
	2.0 (0.079)	W200/20	20020
	2.5 (0.098)	W200/25	20025
	W-400 BA	1.0 (0.039)	W400/10BA
1.2 (0.047)		W400/12BA	40012
1.3 (0.051)		W400/13BA	20015
1.4 (0.055)		W400/14BA	20015
1.6 (0.063)		W400/16BA	20015
1.8 (0.071)		W400/18BA	20020
W-400 WB	1.0 (0.039)	400WB/10	40012
	1.2 (0.047)	400WB/12	40012
	1.3 (0.051)	400WB/13	20015
	1.4 (0.055)	400WB/14	20015
	1.2 (0.047)	400L/12	40012
LPH-400	1.4 (0.055)	400L/14	40015
	1.6 (0.063)	400L/16	40015
	1.8 (0.071)	400L/18	40020

DECLARATION OF CONFORMITY








**DECLARATION OF CONFORMITY**

We ANEST IWATA Europe s.r.l. - Corso Vigevano, 46 - 10155 Torino - Italy declare, under our sole responsibility, that the product:

**Gravity Spray Guns: Classic Plus Series**

**W-400 - W-400 BA - W-400 WB - W-400 WBX - LPH-400**

to which this declaration relates, is in conformity with European ATEX Directive 2006/42/CE for use in zone 1 and zone 2 and Machinery Directive 2006/42/CE.

According with the following international requirements:  
**EN 1127-1:2008, EN 13463-1:2009, EN ISO 12100:2010 and EN 1953:2010.**

Name and position of issuer: **Mr. Marco G. VICENTINI, Managing Director**

Signature:  Date: 01.03.2011



Before use, adjustment or maintenance, it is important to read this instruction manual very carefully. This manual must be stored in a safe place for any future reference.

This Anest IWATA spray guns kit complies to ATEX regulations 94/9/EC, protection level: II 2 G X Suitable for using Zones 1 and 2.



X marking: Any static electricity discharge from the spray gun is to be diverted to the ground via the conductive air hose as stipulated.



**ALWAYS observe WARNINGS and CAUTIONS in this instruction manual.**

Symbol	WARNING	Hazard level	Consequence
	<b>WARNING</b>	Potentially hazardous situation	Death or serious injury
	<b>CAUTION</b>	Potentially hazardous situation	Minor to moderate injury
	<b>IMPORTANT</b>	Potentially hazardous situation	Property damage

## 1. TECHNICAL SPECIFICATIONS

Max. working air pressure:	7.0 bar (100 PSI)
Weight g (lbs): (without cup)	380 (0.84)
Noise level (LAeqT)*:	79.7 dB(A)
Air Connection	G1/4" M
Fluid Connection	M16 x 1.5 mm
Max. Temperature range:	Atmosphere 5 ~ 40 °C / Air-Fluid 5 ~ 43 °C
* Measuring point: 1m backwards from gun, 1.6 m height.	

## 2. SAFETY WARNING FIRE AND EXPLOSION



- Never use the following HALOGENATED HYDROCARBON SOLVENTS:** which can cause cracks or dissolution of gun body (aluminium) due to chemical reaction. UNSUITABLE SOLVENTS: methyl chloride, dichloromethane, 1,2-dichloroethane, carbon tetrachloride, trichloroethylene, 1,1,1-trichloroethane
- Sparks and open flames are strictly prohibited.** Paints can be highly flammable and can cause fire. Do not expose to open flames, electrical goods, cigarettes etc.
- Securely ground spray gun using conductive air hose.** (Less than1M $\Omega$ ) Always ensure that the spray gun is earthed correctly.

## PROTECTION OF HUMAN BODY



- Use in a well-ventilated site, using a spray booth.**  
Poor ventilation can cause organic solvent poisoning and fire.
- Always wear protective gear (safety glasses, mask, gloves) to avoid inflammation of eyes and skin.**  
In case of any physical discomfort, immediately seek medical advice.
- Wear earplugs if necessary.**  
Noise level can exceed 80 dB(A), depending on operating conditions and painting site.
- Pulling the trigger many times during operation, may cause carpal tunnel syndrome.** Always rest, in case of tiredness.

## IMPROPER USE



- Never point gun towards people or animals.**
- Never exceed maximum working pressure or maximum operating Temperature**
- Always release air and fluid pressure before cleaning, disassembling or servicing.** Otherwise, remaining pressure can cause bodily injury due to improper operation or scattering of cleaning liquid.
- Tip of fluid needle set has a sharp point.**  
Do not touch the tip during maintenance to avoid accidents.
- Never use this gun to spray foods or chemicals.** Otherwise, foreign substance, could cause corrosion of fluid passages which could adversely affect health.
- Never alter this spray gun,** to avoid insufficient performance and damage.
- If something goes wrong, immediately stop operation and find the cause.** Do not use again, until you have solved the problem.
- Do not enter working areas, where robots, reciprocators, etc. are used, until they have been turned off.** Otherwise, they could cause injury.

## 3. HOW TO CONNECT

### CAUTION



- Use clean air filtered through air dryer and air filter.
  - When using this gun for the first time after purchase, adjust fluid needle packing set, spray cleaner to clean fluid passages and remove rust preventive oil.
  - Firmly fix hose or container to spray gun, to avoid disconnection of hose or container, that can cause bodily injury.
- Firmly connect an air hose to air nipple 1/4" M (5-1).
  - Firmly connect a suitable cup to fluid nipple (5-2).
  - Flush fluid passages with a compatible solvent.
  - Pour paint into container, test spray, adjust fluid output and pattern width.

## 4. HOW TO OPERATE

- Suggested atomizing air pressure is 2.0 to 3.0 bar (29 to 43PSI).
- Recommended paint viscosity differs according to paint property and painting conditions. 15 to 23 sec. / Ford cup#4 is recommended.
- Set the spray distance from the gun to the work piece, as near as possible within the range of 150-250 mm (5.9 - 9.8 in)
- The gun should be held so that it is perpendicular to the surface of the workpiece at all times. Then, the gun should move in a straight and horizontal line. Arcing the gun causes uneven painting.

## 5. MAINTENANCE AND INSPECTION CAUTION



Before carrying out maintenance and inspection ALWAYS observe warning indications.

- Never use spare parts that are not Anest Iwata originals.
- Never damage fluid nozzle tip, fluid needle or air cap holes.
- Never immerse the spray gun completely in liquids such as thinner.

### 5.1 MANUAL CLEANING PROCEDURE



The fluid passages of the gun, must be cleaned thoroughly after each use, especially after use with bi-component paints. Incomplete cleaning can cause defective pattern shape.

- Never soak air cap set (1) in cleaning liquid for an extended period, even when cleaning.
- Never use metal brush to clean the gun.

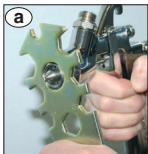
1. Drain remaining paint from spray gun and cup, into a suitable container.
2. Pour cleaner into cup.
3. Unscrew air cap (1) by 2 turns, to allow atomizing air to back flush, fluid passages of the gun.
4. Pull trigger (16) and make sure, that atomizing air enters cup.
5. Leave cleaner for a few seconds, then empty it into suitable waste container.
6. Repeat procedure above, until spray gun is clean.
7. Remove air cap (1) and cup from gun, then clean each section with brush soaked with cleaner and wipe out with waste cloth.
8. DRY ALL PARTS completely and apply spray gun lubricant to each thread.

**5.2 AUTOMATIC CLEANING PROCEDURE**

- When using automatic spray gun washer, follow the instruction manual provided with it. Before cleaning, make sure air is released from air passages.
- Only use suitable cleaner designed for your spray gun washer.
- Make sure that the equipment is dried immediately after cleaning.
- Do not leave spray guns inside spray gun washer, after cleaning. Cleaner vapour can damage packings and cause corrosion inside gun body.
- Do not leave spray guns soaking in cleaner.
- Securely ground washer equipment. Use of cleaner with waterborne coatings, can increase PH level, especially after several cleanings. Please, replace the cleaner regularly in order to always ensure the best spray gun performance.
- Make sure that the PH level of cleaner does not exceed the limit. PH level: 6.0-8.0 (but only during cleaning).

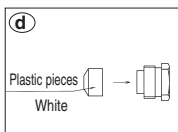
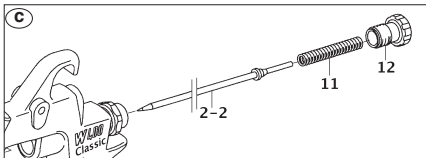
**5.3 DISASSEMBLY PROCEDURE**

- Before disassembly, fully clean fluid passages.



- a. Disassemble fluid nozzle (2-1), while keeping fluid needle (2-2) pulled (triggering) in order to protect its seat section.
- b. Disassemble fluid needle set (2-2). (only when strictly necessary)

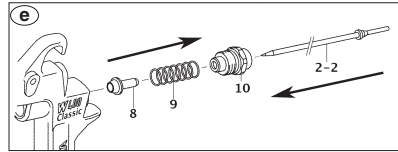
- c. Remove fluid adj. knob (12), needle spring (11), extracting the spring and fluid needle set (2-2), from the back of fluid adj. guide set (10) still assembled on the gun body (5).



- d. Fluid needle packing set (21), must always be adjusted while fluid needle set (2-2) is inserted and in the following way: tighten it by hand (about a 60 degree turn) and then with spanner. When you remove needle packing set (21), do not leave plastic piece of needle packing set (21) in the gun body.

- If you tighten fluid needle packing set (21) too much, fluid needle set (2-2) will not move smoothly, resulting in paint leakage from tip of fluid nozzle (2-1).
- Try to adjust it carefully while pulling trigger and confirming movement of fluid needle set (2-2).
- If you tighten it too much, repeat operation.

- e. Air valve assembly (8), assemble air valve (8), air valve spring (9) and fluid adj. guide set (10) together. Next, insert fluid needle set (2-2) into fluid adj. guide set (10), fit it to gun body set (5) and screw fluid adj. guide set (10).
- If you try to fit air valve spring (9) and air valve (8) to gun body set (5) without fluid needle set (2-2), air valve (8) will not be fitted correctly and the packing in the fluid adj. guide set (10) will be damaged.



- f. Disassembly of pattern adjustment set (6) and/or air adjustment set (14). In order to disassemble pattern adj. set (6) and/or air adj. set (14), turn manually turn the hexagon knob of the adjustment counterclockwise to open it completely and unscrew the hexagon face with a spanner turning it counterclockwise.
- To reassemble pattern adjustment set (6) and/or air adjustment set (14), reverse the procedure.

**IMPORTANT:** Before reassembling pattern adjustment set and/or air adjustment set, make sure that these operations are carried out with the adjustment fully open.

**5.4 INSPECTION & REPLACEMENT STANDARD**

WHERE TO INSPECT	REPLACEMENT PART
a. Each hole passage of air cap (1) and fluid nozzle (2-1).	Replace if it is crushed or deformed.
b. Packing and O ring	Replace if it is deformed or worn out.
c. Leakage from seat section between fluid nozzle (2-1) and fluid needle set (2-2).	Replace them if leakage does not stop after fully cleaning fluid nozzle (2-1) and fluid needle set (2-2).  If you replace fluid nozzle (2-1) or fluid needle set (2-2) only, fully match them and confirm that there is no leakage.

## 6. TROUBLESHOOTING

### GUN DOES NOT SPRAY



- Fluid adj. knob (12) closed. Check and adjust.
- Tip hole of nozzle obstructed. Check and clean.
- Paint filter obstructed. Check and clean.
- Non drip obstructed. Check and clean.

### INTERMITTENT SPRAY PATTERN



- Air escapes from fluid nozzle (2-1). Check, clean & replace if necessary.
- Air escapes from fluid needle packing (21). Tighten.
- Air escapes from cup joint. Tighten.
- Dirt inside air cap (1). Clean.

### DEFECTIVE SPRAY PATTERN



- Dirty nozzle (2-1) or air cap (1). Clean carefully.
- Nozzle (2-1) or air cap (1) has been damaged. Replace if damaged.
- Fluid nozzle (2-1) is loose. Tighten.
- Paint viscosity too high or too low. Dilute paint or increase viscosity
- Fluid output too high or too low. Adjust fluid adj. knob (12) to reduce or increase.

### LEAKING

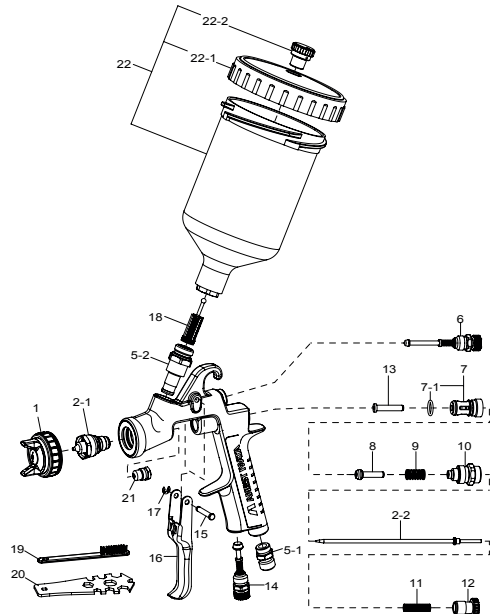


- Fluid nozzle (2-1), needle set (2-2) or gun body (5), dirty, damaged or worn on seat. Clean or replace if necessary.
- Dirt inside air cap (1). Clean.
- Loose fluid adj. knob (12). Adjust.
- Fluid needle spring (11) is worn. Replace.
- Loose fluid nozzle (2-1). Tighten.
- Needle packing set (21) loose, too tight, dirty or worn. Adjust, clean or replace.

### AIR ESCAPES FROM AIR CAP

- Air valve (8), air valve seat (7) or air valve spring (9) dirty or damaged. Clean or replace if necessary.
- Air valve seat set o ring (7-1) damaged or worn. Replace.

## 7. SPARE PARTS LIST



REF.	DESCRIPTION	
1	Air cap	
2	Fluid Nozzle + Fluid needle set	●
2-1	Fluid Nozzle	●
2-2	Fluid needle	●
5	Body set	
5-1	Air nipple	
5-2	Fluid nipple*	
6	Pattern adjustment set	
7	Air valve seat *	
7-1	O'ring	●
8	Air valve	●
9	Air valve spring	
10	Fluid adjustment guide	
11	Needle spring	
12	Fluid adjustment knob	
13	Air valve shaft	●
14	Air adjustment set	
15	Trigger stud	
16	Trigger	
17	E stopper	
18	Filter 60 Mesh	
19	Brush	
20	Universal spanner	
21	Needle Packing set	●
22	Cup 600 cc	
22-1	Lid	
22-2	Knob	

● Marked parts are wearable parts.

NOTE: When ordering parts, specify gun model, part name with No. and marked No. of air cap set, fluid nozzle and fluid needle.

\*ATTENTION: To disassemble Air valve seat\_part. 7, use 10 mm allen wrench (Non ball point type).

To disassemble Fluid nipple\_part. 5-2, use 8 mm allen wrench.



Prima di procedere all'installazione, alla messa in funzione, alla regolazione o alle operazioni di manutenzione, leggere attentamente il presente manuale d'istruzione, che deve essere conservato per ogni futuro riferimento.

La pistola ANEST IWATA per il rilascio agenti di distacco è in conformità alla normativa ATEX 94/9/CE  
 Livello di protezione: categoria II2 G X adatto per uso in Zone 1 e 2.  
 Marchiatura X: L'elettricità statica deve essere scaricata dalla pistola e condotta a terra attraverso la tubazione conduttiva dell'aria come indicato.



**Assicurarsi di rispettare SEMPRE, le avvertenze per la sicurezza, contenute nel suddetto manuale d'istruzione.**

Simbolo	SIGNIFICATO	Livello di pericolo	Conseguenze
	<b>AVVERTENZE</b>	Situazione potenzialmente pericolosa.	Seri rischi per la salute e la vita dell'operatore.
	<b>ATTENZIONE</b>	Situazione potenzialmente pericolosa.	Rischi moderati per il prodotto e l'operatore.
	<b>IMPORTANTE</b>	Situazione potenzialmente pericolosa.	Danni materiali.

## 1. SPECIFICHE TECNICHE

Max. pressione d'esercizio aria:	7.0 bar (100 PSI)
Peso g (lbs): (senza tazza)	380 (0.84)
Livello di rumorosità (LAeqT)*:	79.7 dB(A)
Raccordo aria	G1/4" M
Raccordo Materiale	M16 x 1.5 mm
Max. Temperatura:	Ambiente 5 ~ 40 °C - Aria/Fluido 5 ~ 43 °C

\*Punto di misurazione: 1 m dietro la pistola, 1,6 m d'altezza.

## 2. AVVERTENZE DI SICUREZZA RISCHI DI INCENDI ED ESPLOSIONI



- Mai utilizzare SOLVENTI IDROCARBURI ALOGENATI**, che potrebbero causare danni e scioglimento delle parti in alluminio del corpo pistola, provocati da reazioni chimiche.  
SOLVENTI INCOMPATIBILI: cloruro di metile, diclorometano, 1,2-dicloroetano, tetracloruro di carbonio, tricloroetilene, 1,1,1-tricloroetano.
- La presenza di fiamme libere e la produzione di scintille è severamente vietata. I prodotti utilizzati possono essere altamente infiammabili e quindi causa di gravi incendi. Evitare ogni azione che potrebbe provocare incendi, come fumare, provocare scintille o qualsiasi rischio elettrico.
- Collegare correttamente a terra la pistola per verniciatura, utilizzando un tubo aria conduttivo. (Minore di 1MΩ).  
Controllare periodicamente la stabilità della messa terra.

### RISCHI PER LA SALUTE



- Usare la pistola per verniciatura in ambienti, ben ventilati utilizzando la cabina di verniciatura.  
Una ventilazione inadeguata o insufficiente potrebbe provocare un'intossicazione da solventi organici o causare incendi.
- Indossare sempre indumenti protettivi (occhiali di protezione, maschera, guanti). Per evitare che il contatto con i materiali irritanti, provochi infiammazione agli occhi ed alla pelle. Nel caso in cui si verificasse anche il più lieve rischio di danno fisico, consultare immediatamente un medico.
- Se è necessario indossare i tappi fonozonanti.  
Il livello di rumorosità può superare 80 dB(A) e dipende dalle condizioni d'utilizzo e dall'area di lavoro.
- L'utilizzo costante della pistola da verniciatura che prevede una prolungata pressione manuale sul grilletto della pistola, potrebbe provocare la sindrome del tunnel carpale. Nel caso di affaticamento della mano, sospendere le operazioni di verniciatura per una breve pausa.

## RISCHI DI USO IMPROPRIO



- Mai puntare la pistola in direzione del corpo umano o di animali.
- Mai superare la pressione o la temperatura massima d'esercizio.
- Scaricare sempre la pressione dell'aria e del materiale, prima delle operazioni di pulizia, disassemblaggio e di manutenzione.  
Altrimenti la pressione residua potrebbe causare ferite al corpo provocate da operazioni scorrette o dall'emissione dei liquidi usati per la pulizia.
- L'estremità dell'astina è tagliente. Per non rischiare di ferirsi, evitare di toccare l'estremità dell'astina durante le operazioni di manutenzione.
- Mai spruzzare prodotti alimentari o chimici con questa pistola.  
Altrimenti la miscela di sostanze estranee potrebbe causare la corrosione dei passaggi vernice, con conseguenti danneggiamenti alla pistola e rischi per la salute.
- Mai modificare la pistola per verniciatura, per evitare danneggiamenti che potrebbero compromettere la qualità del risultato.
- Nel caso di malfunzionamenti, sospendete immediatamente le operazioni di verniciatura per la ricerca del guasto. Non utilizzare nuovamente il prodotto finché non si è risolto il problema.
- Mai entrare nelle aree di lavoro delle attrezzature (come; robot, reciprocatori, ecc.), finché queste non siano state disattivate.  
Altrimenti, il contatto con i macchinari in funzione potrebbe essere causa di incidenti e ferimenti.

## 3. COLLEGAMENTO

### ATTENZIONE



- Per alimentare la pistola utilizzare aria filtrata ed asciutta.  
Si consiglia l'uso di un filtro con scarico automatico di condensa ed essiccatore.
- Quando si utilizza la pistola per la prima volta dopo l'acquisto, regolare il set guarnizione astina, pulire i passaggi del materiale spruzzando solvente compatibile per rimuovere l'olio antiruggine.
- Collegare saldamente la tubazione o la tazza alla pistola, per evitare che lo scollegamento della stessa durante le operazioni di verniciatura provochi ferite gravi al corpo.

- Collegare saldamente il tubo aria d'alimentazione al raccordo aria 1/4" M (5-1).
- Collegare saldamente una tazza adeguata, al raccordo materiale (5-2).
- Detergere i passaggi vernice della pistola con solvente compatibile.
- Versare la vernice nella tazza, verificare lo spruzzo, regolare la fuoriuscita del materiale e la larghezza del ventaglio.

## 4. COME OPERARE

- La pressione aria d'atomizzazione consigliata, è compresa tra 2.0 e 3.0 bar (29 e 43 PSI).
- La viscosità della vernice consigliata cambierà secondo le proprietà della vernice e le condizioni di verniciatura. È consigliata una viscosità tra 15 e 23 sec. / Coppa Ford #4.
- Calibrare la distanza di verniciatura, possibilmente in uno spazio ristretto e compreso tra i 150-250 mm.
- L'assetto della pistola dovrebbe essere mantenuto sempre perpendicolare alla superficie del pezzo di lavorazione. Inoltre la pistola dovrebbe operare sempre per linee orizzontali. Eventuali spostamenti della pistola potrebbero provocare una verniciatura non uniforme.

## 5. MANUTENZIONE ED ISPEZIONE



Prima di procedere a qualsiasi operazione d'ispezione e manutenzione, leggere sempre ed osservare scrupolosamente tutte le indicazioni sulle AVVERTENZE DI SICUREZZA.

### ATTENZIONE

- Mai utilizzare altri componenti o parti di ricambio che non siano originali ANEST IWATA.
- Mai danneggiare i fori dell'ugello aria, dell'ugello materiale e l'estremità dell'astina.
- Mai immergere completamente la pistola nei liquidi come solvente.

### 5.1 PROCEDURA PER LA PULIZIA MANUALE



I passaggi del materiale devono essere accuratamente puliti dopo ogni utilizzo della pistola ed in particolar modo dopo, l'uso di vernici bi-componenti. Una pulizia incompleta potrebbe causare difetti alla forma del ventaglio.

- Mai lasciare immerso l'ugello aria (1) nel solvente per un periodo prolungato, anche durante la pulizia.
  - Mai utilizzare oggetti metallici per la pulizia della pistola.
1. Scaricare la vernice residua dalla tazza e dalla pistola, sistemandola in un contenitore adeguato.
  2. Versare il liquido di pulizia nella tazza.
  3. Svitare l'ugello aria (1) di 2 rotazioni, per permettere all'aria d'atomizzazione di effettuare il back flush, nei passaggi del materiale della pistola.
  4. Tirare il grilletto (16) assicurandosi che l'aria d'atomizzazione entri nella tazza.
  5. Lasciare agire il liquido detergente per qualche secondo, quindi svuotarlo in un recipiente adeguato per lo smaltimento dei liquidi nocivi.
  6. Ripetere la precedente procedura, finché la pistola non risulta pulita.
  7. Rimuovere l'ugello aria (1) e la tazza dalla pistola, quindi pulire ogni sezione con lo spazzolino in dotazione, imbevuto di solvente ed uno strofinaccio assorbente.
  8. Asciugare ogni parte completamente, ed applicare un lubrificante specifico su ogni sezione filettata.

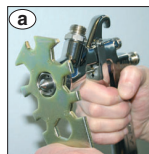
### 5.2 PROCEDURA PER LA PULIZIA AUTOMATIZZATA

Quando si utilizza il lavapistole automatico, seguire attentamente il manuale fornito con l'apparecchiatura. Prima di procedere alle operazioni di pulizia assicurarsi di scaricare l'aria dai passaggi aria della pistola.

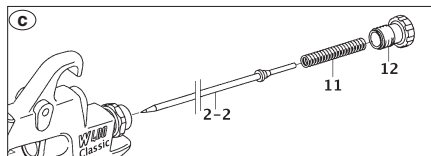
- Utilizzate esclusivamente un liquido detergente, adatto per l'uso con il lavapistole.
- Assicurarsi di asciugare immediatamente l'apparecchiatura dopo l'uso.
- Non lasciar stazionare le pistole nel lavapistole, dopo il lavaggio. Il detergente potrebbe danneggiare le guarnizioni e causare corrosioni all'interno del corpo pistola.
- Non lasciar immersa la pistola nel solvente.
- Collegare correttamente a terra l'apparecchiatura.
- L'utilizzo di liquidi detergenti con vernici a base acqua, può aumentare il livello del PH, specialmente dopo diversi lavaggi. Sostituire regolarmente il liquido detergente per non alterare le prestazioni e la qualità del prodotto.
- Assicurarsi di non superare mai il livello di PH del liquido detergente. Livello PH : 6.0-8.0 (solo durante il lavaggio)

### 5.3 PROCEDURA DI SMONTAGGIO

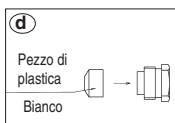
Pulire sempre i passaggi vernice prima dello smontaggio della pistola



- a. Rimuovere l'ugello materiale (2-1), mentre l'astina (2-2) rimane tirata (premetto il grilletto), per proteggere la sede dell'astina.
  - b. Rimuovere il set astina (2-2). (solo se strettamente necessario).
- c. Rimuovere il dado regolazione astina (12), la molla astina (11), l'astina (2-2) estraendo la molla ed il set astina (2-2), dal retro della guida regolazione astina (10) ancora montata nel corpo pistola (5).

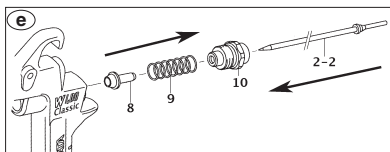


- d. La regolazione del set guarnizione astina (21), deve sempre essere effettuata con l'astina (2-2), montata e nel seguente modo: chiudere manualmente per una rotazione di circa 60 gradi, e successivamente stringere con l'apposita chiave.



Quando rimuovete il set guarnizione astina (21) assicuratevi di non lasciare il pezzo di plastica, del set guarnizione astina (21), dentro il corpo pistola.

- Un avviticciamento eccessivo del set guarnizione astina (21) può provocare un impedimento al movimento del set astina (2-2), con conseguente perdita di vernice dall'estremità dell'ugello materiale (2-1).
  - Regolate con cautela il set guarnizione astina (21) azionando il grilletto e controllando il movimento del set astina (2-2).
  - Se l'avviticciamento risultasse ancora eccessivo, ripetete nuovamente l'operazione.
- e. **Assemblaggio valvola aria (8)**, assemblare la valvola aria (8), la molla valvola aria (9) e la guida regolazione astina (10) insieme. Quindi inserire il set astina (2-2) nella guida regolazione astina (10), introdurre l'insieme nel corpo pistola (5) ed avvitare la guida regolazione astina (10).
- Se si tenta di inserire la molla valvola aria (9) e la valvola aria (8) nel corpo pistola (5) senza l'astina (2-2), la valvola aria (8) non potrà essere fissata correttamente e la guarnizione all'interno della guida regolazione astina (10) verrà danneggiata.



- f. **Smontaggio della regolazione del ventaglio (6) e/o della regolazione aria (14)**. Per disassemblare la regolazione ventaglio (6) e/o la regolazione aria (14), ruotare manualmente in senso antiorario il dado esagonale della regolazione, per aprirla completamente e svitare con l'apposita chiave il lato esagonale ruotandolo in senso antiorario.
- Per riassemblare la regolazione del ventaglio (6) e/o la regolazione aria (14), procedere nel modo inverso.

**IMPORTANTE:** Prima riassemblare la regolazione del ventaglio e/o dell'aria assicuratevi, che queste operazioni vengano effettuate sempre con la regolazione completamente aperta.

### 5.4 ISPEZIONI & SOSTITUZIONI STANDARD

PARTI DA CONTROLLARE	PARTI DA SOSTITUIRE
a. Ogni foro di passaggio dell'ugello aria (1) e dell'ugello materiale (2-1).	Sostituire se schiacciati o deformati.
b. Guarnizioni ed O'ring.	Sostituire se deformate od usurate.
c. Perdite dalle sezioni delle sedi tra l'ugello materiale (2-1) e l'astina (2-2).	Sostituire se le perdite non si arrestano anche dopo, che il set ugello materiale (2-1) ed il set astina (2-2) sono stati completamente puliti.  Se sostituite solo l'ugello (2-1) e l'astina (2-2) verificate il corretto accoppiamento di entrambi ed accertatevi che non vi siano eventuali perdite.



## 6. PROBLEMI, CAUSE E RIMEDI

### MANCATA FUORIUSCITA DI VERNICE



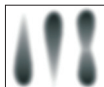
- Regolazione materiale (12) non sufficientemente aperta. Verificare e regolare.
- Foro ugello materiale (2-1) ostruito. Verificare e pulire.
- Filtro vernice ostruito. Verificare e pulire.
- Antigoccia ostruito. Verificare e pulire.

### ATOMIZZAZIONE AD INTERMITTENZA



- Trafilamento d'aria dall'ugello materiale (2-1). Verificare, pulire e sostituire se necessario.
- Trafilamento d'aria dalla guarnizione astina (21). Stringere.
- Trafilamento d'aria dal raccordo della tazza. Stringere.
- Residui di vernice nell'ugello aria (1). Pulire.

### DIFETTI DEL VENTAGLIO



- Ugello materiale (2-1) o ugello aria (1) incrostati di vernice. Pulire accuratamente.
- Ugello materiale (2-1) o ugello aria (1) danneggiati. Sostituire se necessario.
- Ugello materiale (2-1) allentato. Stringere.
- Viscosità vernice troppo elevata o troppo bassa. Diluire la vernice o aumentare la viscosità.
- La portata della vernice è troppo elevata o troppo bassa. Registrare la regolazione astina (12), per ridurre o aumentare la portata.

### TRAFILAMENTO DELLA VERNICE

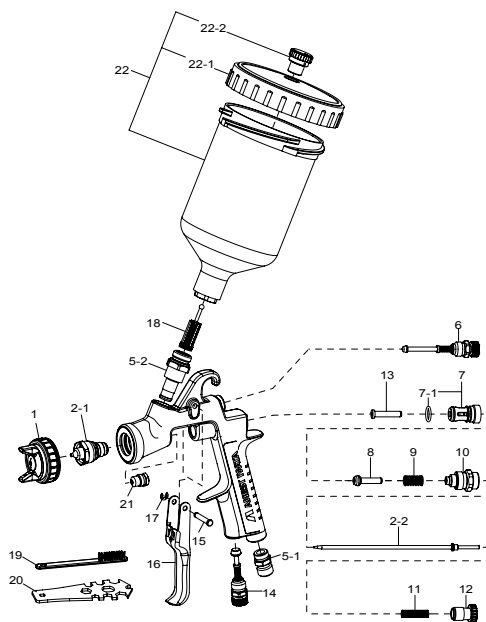


- Ugello materiale (2-1), set astina (2-2) o corpo pistola (5), incrostati, danneggiati o usurati nella sede. Pulire o sostituire se necessario.
- Residui di vernice nell'ugello aria (1). Pulire.
- Dado regolazione astina (12) allentato. Regolare.
- Molla astina (11) usurata. Sostituire.
- Ugello materiale (2-1) allentato. Stringere.
- Set guarnizione astina (21) allentata, troppo stretta, sporca o consumata. Regolare, pulire o sostituire se necessario.

### TRAFILAMENTO D'ARIA DALL'UGELLO ARIA

- Valvola aria (8), sede valvola aria (7) molla valvola aria (9), sporche o danneggiate. Pulire o sostituire se necessario.
- L'O'ring della sede valvola aria (7-1) è danneggiato o usurato. Sostituire.

## 7. ELENCO PARTI DI RICAMBIO



POS.	DESCRIZIONE	
1	Ugello aria	
2	Set Ugello materiale + Astina	●
2-1	Ugello materiale	●
2-2	Astina	●
5	Corpo pistola	
5-1	Raccordo aria	
5-2	Raccordo materiale*	
6	Set regolazione ventaglio	
7	Sede valvola aria*	
7-1	O'ring	●
8	Valvola aria	●
9	Molla valvola aria	
10	Guida regolazione astina	
11	Molla astina	
12	Dado di regolazione astina	
13	Stelo valvola aria	●
14	Set regolazione aria	
15	Perno grilletto	
16	Grilletto	
17	Anello di tenuta	
18	Filtro 60 Mesh	
19	Spazzolino	
20	Chiave Universale	
21	Set guarnizioni astina	●
22	Tazza 600 cc	
22-1	Coperchio	
22-2	Tappo	

\*ATTENZIONE: Per lo smontaggio della Sede valvola aria\_7, utilizzare una chiave a brugola da 10 mm (non il tipo con testa sferica).

Per lo smontaggio del raccordo vernice\_5-2, utilizzare una chiave a brugola da 8 mm.

● Le parti contrassegnate sono soggette ad usura.

NOTA: In fase d'ordine si prega sempre di specificare, il modello della pistola, il nome del ricambio con il riferimento numerico, la sigla dell'ugello aria, dell'ugello materiale e dell'astina.




 Avant toute utilisation, tout réglage ou toute opération d'entretien, lire attentivement ce manuel d'instruction. Conserver ce manuel en lieu sûr pour pouvoir le consulter ultérieurement.

Ce kit de pistolet de pulvérisation ANEST IWATA d'agents de démoulage est conforme aux normes ATEX 94/9/CE, niveau de protection: II 2 G X adapté aux zones 1 et 2. Marquage X: Toute décharge d'électricité statique provenant du pistolet doit être conduite à la terre à travers le tuyau d'air conducteur comme indiqué.



 Respecter TOUJOURS les avertissements pour la sécurité présents dans ce manuel d'instructions.

Symbole	SIGNIFICATION	Niveau de danger	Conséquences
	<b>AVERTISSEMENTS</b>	Situation potentiellement dangereuse.	Risques sérieux pour la santé et la vie de l'opérateur.
	<b>ATTENTION</b>	Situation potentiellement dangereuse.	Risques modérés pour le produit et l'opérateur.
	<b>IMPORTANT</b>	Situation potentiellement dangereuse.	Dommages matériels.

## 1. SPÉCIFICATIONS TECHNIQUES

Pression d'air max. d'emploi:	7.0 bar (100 PSI)
Poids g (lbs): (sans godet)	380 (0.84)
Bruit (LAeqT)*:	79.7 dB(A)
Raccordement d'air	G1/4" M
Raccordement produit	M16 x 1.5 mm
Température Max.:	Milieu 5 ~ 40 °C - Air/Produit 5 ~ 43 °C
* Emplacement de mesure: 1 m derrière le pistolet, 1,6 m de hauteur	

## 2. AVERTISSEMENT DE SÉCURITÉ

### INCENDIES ET EXPLOSIONS



1. Ne jamais utiliser les SOLVANTS HYDROCARBONÉS HALOGENÉS, reportés ci-dessous; car ils risquent de provoquer des fissures ou la dissolution du corps du pistolet (aluminium) en conséquence de la réaction chimique. SOLVANTS INADEQUATS: chlorure de méthyle, dichloro-méthane, 1,2-dichlororo-éthane, tétrachlorure de carbone, trichloroéthylène, 1,1,1-trichloro-éthane.

2. Les étincelles et les flammes nues sont strictement interdites. Les produits sont facilement inflammables et susceptibles de causer un incendie. Ne pas les exposer aux flammes nues, à l'électroménager, aux cigarettes etc.

3. Relier le pistolet à la terre en utilisant le tuyau d'air conducteur. (Moins de 1MΩ). S'assurer toujours que le pistolet soit correctement relié à la terre.

### PROTECTION CORPORELLE



1. Utiliser le pistolet dans un lieu bien ventilé avec une cabine de pulvérisation. Une ventilation insuffisante peut provoquer une intoxication par les solvants organiques ou un incendie.

2. Porter toujours des protections personnelles (lunettes, masques et gants de sécurité) afin d'éviter des inflammations des yeux et de la peau causées par le liquide de nettoyage etc. En cas de problèmes, consulter un médecin.

3. Porter des bouches-oreilles le cas échéant.

Le niveau de bruit peut dépasser 80 dB(A) en fonction des conditions et du lieu d'emploi.

4. L'actionnement répété de la gâchette peut provoquer le syndrome du canal carpien. Se reposer toujours en cas de fatigue.

## EMPLOI ABUSIF



- Ne jamais diriger le pistolet sur des personnes ou des animaux.
- Ne jamais dépasser la pression ou la température maximale d'emploi.
- Décharger toujours la pression d'air et du produit avant de procéder au nettoyage, au démontage ou à l'entretien du pistolet. Dans le cas contraire, la pression résiduelle risque de provoquer des lésions corporelles dues à l'emploi abusif ou à la dispersion du liquide de nettoyage.
- L'extrémité de l'aiguille a un côté coupant. Ne pas toucher l'extrémité de l'aiguille pour éviter de vous blesser.
- Ne jamais pulvériser de produits alimentaires ou chimiques avec ce pistolet; cela peut causer des accidents liés à la corrosion des conduits du produit ou des dommages à la santé dus au mélange avec des matériaux étrangers.
- Ne jamais modifier le pistolet pour pulvérisation pour éviter tout endommagement susceptible de compromettre la qualité du résultat.
- En cas de mauvais fonctionnement, interrompre immédiatement les opérations de pulvérisation pour la recherche de la panne. Ne pas réutiliser le produit tant que le problème n'a pas été résolu.
- Ne jamais entrer dans les zones de mouvements des équipements (tels que robots, récupérateurs, etc.), tant que ces derniers n'ont pas été désactivés. Dans le cas contraire, le contact avec les machines en marche pourrait entraîner des accidents et des blessures.

## 3. CONNEXION

### ATTENTION



- Pour alimenter le pistolet utiliser de l'air filtré et sec. Il est conseillé d'utiliser un filtre d'évacuation automatique de l'eau de condensation et avec séchoir.
- Lorsqu'on utilise le pistolet pour la première fois, régler le presse étoupe nettoyer les passages du produit en pulvérisant de liquide de nettoyage compatible pour éliminer l'huile antirouille.
- Raccorder solidement le tuyau ou le godet au pistolet pour éviter que tout débarranchement de ce dernier pendant les opérations de pulvérisation ne provoque de blessures graves au corps.

- Raccorder solidement le tuyau d'air d'alimentation au raccord d'air 1/4" M (5-1).
- Raccorder solidement un godet approprié au raccord produit (5-2).
- Nettoyer les passages de peinture du pistolet à l'aide d'un solvant compatible.
- Verser la peinture dans le godet, vérifier la pulvérisation, régler la sortie du produit et la largeur du jet.

## 4. COMMENT PROCEDER

- La pression de l'air d'atomisation conseillée est comprise entre 2.0 et 3.0 bars (29 et 43 PSI).
- La viscosité de la peinture conseillée changera suivant les propriétés de la peinture et les conditions de vernissage. Viscosité conseillée entre 15 et 23 s. / Bac Ford #4.
- Calibrer la distance de vernissage, si possible dans un espace réduit et compris entre 150 et 250 mm (5.9 - 9.8 in).
- La position du pistolet devrait toujours rester perpendiculaire à la surface de la pièce d'usinage. De plus le pistolet devrait toujours opérer par lignes horizontales. Tout déplacement éventuel du pistolet pourrait causer un vernissage non uniforme.

## 5. ENTRETIEN ET INSPECTION



Avant de commencer toute opération d'inspection, lire et observer scrupuleusement toutes les indications concernant les AVERTISSEMENTS DE SÉCURITÉ.

### ATTENTION

- Ne jamais utiliser d'autres composants ou des pièces de rechange non originales ANEST IWATA.
- Ne jamais endommager les trous du chapeau, de la buse et de l'extrémité de l'aiguille.
- Ne jamais immerger complètement le pistolet dans des liquides tels que du solvant.

## 5.1 PROCEDURE DE NETTOYAGE MANUEL



En particulier, nettoyer complètement et soigneusement les traces de produit après l'emploi avec une peinture de deux composants.

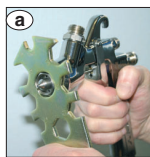
- Ne jamais laisser le chapeau (1) tremper dans le solvant trop longtemps, même pendant le nettoyage.
  - Ne jamais utiliser d'objets métalliques pour le nettoyage du pistolet.
1. Verser dans un récipient approprié la peinture restante du godet et du pistolet.
  2. Verser le liquide de nettoyage dans le godet.
  3. Dévisser le chapeau (1) de 2 rotations pour permettre à l'air d'atomisation d'effectuer le back flush, dans les passages du produit du pistolet.
  4. Tirer sur la gâchette (16) en s'assurant que l'air d'atomisation entre dans le godet.
  5. Laisser agir le liquide détergent pendant quelques secondes, puis le vider dans un récipient adéquat pour l'élimination des liquides nocifs.
  6. Répéter la procédure précédente jusqu'à ce que le pistolet soit propre.
  7. Enlever le chapeau (1) et le godet du pistolet, puis nettoyer chaque section à l'aide de la brosse fournie imbibée de solvant et d'un chiffon absorbant.
  8. Essuyer soigneusement chaque partie et appliquer un lubrifiant spécifique sur chaque section fileté.

## 5.2 PROCEDURE DE NETTOYAGE AUTOMATISE

- Pour l'utilisation du Lave-pistolet automatique, suivre attentivement le manuel fourni avec l'appareil. Avant de commencer les opérations de nettoyage, veiller à évacuer l'air des passages d'air du pistolet.
- Utiliser exclusivement un liquide détergent approprié au Lave-pistolet.
- Essuyer l'appareil juste après son utilisation.
- Ne pas laisser les pistolets dans le Lave-pistolet après le lavage. Le détergent pourrait endommager les joints et causer des corrosions dans le corps du pistolet.
- Ne pas laisser le pistolet immergé dans le solvant.
- Connecter correctement l'appareil à la terre. L'emploi de liquides détergents avec des peintures à base d'eau peut augmenter le niveau du PH, notamment après plusieurs lavages. Remplacer régulièrement le liquide détergent pour ne pas altérer les performances et la qualité du produit.
- Veiller à ne jamais dépasser le niveau de PH du liquide détergent. Niveau PH : 6.0-8.0 (pendant le lavage seulement)

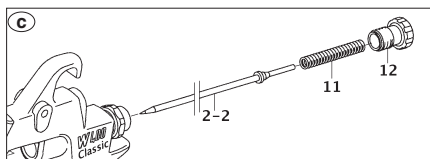
## 5.3 PROCEDURE DE DEMONTAGE

- Toujours nettoyer les passages de peinture avant le démontage du pistolet.

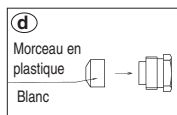


- a. Enlever la buse (2-1), tandis que l'aiguille (2-2) reste tirée (en appuyant sur la gâchette), pour protéger le logement de l'aiguille.
- b. Enlever l'aiguille (2-2). (Seulement si cela est strictement nécessaire)

- c. Enlever le bouton de réglage du produit (12) le ressort d'aiguille (11), en dégageant le ressort et l'aiguille (2-2), par l'arrière du guide de réglage de l'aiguille (10) encore montée dans le corps du pistolet (5).

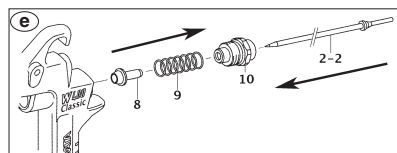


- d. Le réglage de la presse étoupe (21) doit toujours être effectué avec l'aiguille (2-2) montée, c'est à dire de la façon suivante : fermer manuellement par une rotation de 60 degrés environ, puis serrer à l'aide de la clé de montage.



- Lors du retrait du presse étoupe (21), veiller à ne pas laisser le morceau en plastique du presse étoupe (21) dans le corps du pistolet.
- Tout vissage excessif du presse étoupe (21) risque d'empêcher le mouvement de l'aiguille (2-2) avec la perte conséquente de peinture par l'extrémité de la buse (2-1).
- Régler précisément le presse étoupe (21) en actionnant la gâchette et en contrôlant le mouvement de l'aiguille (2-2).
- Si le vissage est encore excessif, répéter de nouveau l'opération.

- e. **Assemblage du clapet d'air (8)**, assembler le clapet d'air (8), le ressort de clapet (9) et le guide de réglage de l'aiguille (10) ensemble. Introduire ensuite l'aiguille (2-2) dans le guide de réglage de l'aiguille (10), introduire l'ensemble dans le corps du pistolet (5) et visser le guide de réglage de l'aiguille (10).
- Si l'on essaie d'introduire le ressort de clapet (9) et le clapet d'air (8) dans le corps (5) sans l'aiguille (2-2), le clapet d'air (8) ne pourra pas être fixé correctement et le joint situé à l'intérieur du guide de réglage de l'aiguille (10) sera endommagé.



- f. **Démontage du réglage du jet (6) et/ou du réglage de l'air (14)**. Pour désassembler le réglage du jet (6) et/ou le réglage de l'air (14), il faut tourner manuellement dans le sens inverse des aiguilles d'une montre le bouton hexagonal de réglage, pour l'ouvrir complètement, et dévisser à l'aide de la clé de montage le côté hexagonal en le tournant dans le sens inverse des aiguilles d'une montre.
- Pour réassembler le réglage du jet (6) et/ou le réglage de l'air (14), procéder dans l'ordre inverse.

**IMPORTANT: Avant de réassembler le réglage du jet et/ou de l'air, s'assurer que ces opérations soient toujours effectuées avec le réglage complètement ouvert.**

## 5.4 INSPECTIONS ET REMPLACEMENTS STANDARD

PARTIES À CONTRÔLER	PARTIES À REMPLACER
a. Chaque trou de passage du chapeau (1) et de la buse (2-1).	Remplacer s'ils sont écrasés ou déformés.
b. Joints et O'ring.	Remplacer s'ils sont déformés ou usurés.
c. Pertes des sections des logements entre la buse (2-1) et l'aiguille (2-2).	Remplacer si les fuites ne s'arrêtent pas même après que la buse (2-1) et l'aiguille (2-2) ont été complètement nettoyées. Si seules la buse (2-1) et l'aiguille (2-2) sont remplacées, vérifier l'accouplement correct des deux et l'absence de fuites éventuelles.

## 6. PROBLEMES, CAUSES ET REMEDES

### ABSENCE DE SORTIE DE PEINTURE



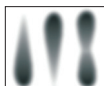
- Réglage produit (12) pas assez ouvert. Vérifier et régler.
- Trou buse produit (2-1) bouché. Vérifier et nettoyer.
- Filtre peinture encrassé. Vérifier et nettoyer.
- Antigoutte bouché. Vérifier et nettoyer.

### ATOMISATION PAR INTERMITTENCE



- Fuite d'air de la buse (2-1). Vérifier, nettoyer et remplacer le cas échéant.
- Fuite d'air du presse étoupe (21). Serrer.
- Fuite d'air du raccord godet. Serrer.
- Résidus de peinture dans le chapeau (1). Nettoyer.

### DEFAUTS DU JET



- Buse (2-1) ou chapeau (1) incrustés de peinture. Nettoyer soigneusement.
- Buse (2-1) ou chapeau (1) endommagés. Remplacer le cas échéant.
- Buse (2-1) desserrée. Serrer.
- Viscosité peinture trop élevée ou trop basse. Diluer la peinture ou augmenter la viscosité.
- Le débit de la peinture est trop élevé ou trop faible. Ajuster le bouton de réglage produit (12), pour réduire ou augmenter le débit.

### FUITE DE PEINTURE

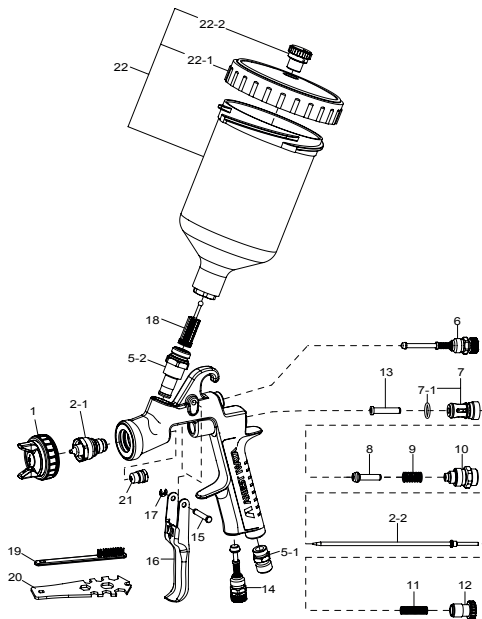


- Buse (2-1), aiguille (2-2) ou corps pistolet (5) incrustés, endommagés ou usés dans le logement. Nettoyer ou remplacer si nécessaire.
- Résidus de peinture dans le chapeau (1). Nettoyer.
- Bouton de réglage produit (12) desserré. Régler.
- Ressort d'aiguille (11) usé. Remplacer.
- Buse (2-1) desserrée. Serrer.
- Presse étoupe (21) desserré, trop serré, sale ou usé. Régler, nettoyer ou remplacer si nécessaire.

### FUITE D'AIR DU CHAPEAU

- Clapet d'air (8), siège de clapet (7), ressort de clapet (9), sales ou endommagés. Nettoyer ou remplacer si nécessaire.
- L'O'ring (7-1) du logement du clapet d'air est endommagé ou usé. Remplacer.

## 7. LISTE DES PIÈCES DE RECHANGE



Rep.	DESCRIPTION	
1	Chapeau	
2	Buse + Aiguille	●
2-1	Buse	●
2-2	Aiguille	●
5	Corps	
5-1	Raccord d'air	
5-2	Raccord produit*	
6	Règlage du jet	
7	Siège de clapet*	
7-1	O'ring	●
8	Clapet d'air	●
9	Ressort de clapet	
10	Guide réglage aiguille	
11	Ressort d'aiguille	
12	Bouton de réglage produit	
13	Axe de clapet d'air	●
14	Réglage d'air	
15	Axe de gâchette	
16	Gâchette	
17	Bague d'étanchéité	
18	Filtre 60 Mesh	
19	Brosse pour pistolet	
20	Clé de montage	
21	Presse étoupe	●
22	Godet 600 cc	
22-1	Couvercle	
22-2	Bouchon	

● Les parties signalées sont sujettes à usure.

NOTE: En phase de commande veuillez préciser le modèle du pistolet, le nom de la pièce de rechange avec la référence numérique, le sigle du chapeau, de la buse et de l'aiguille.

\*ATTENTION: Pour le démontage du corps de clapet d'air \_ 7, utiliser une clé six pans de 10 mm (pas de type à tête sphérique).  
Pour le démontage du raccord produit\_ 5-2, utiliser une clé six pans de 8 mm.

**⚠** Antes de la instalación, del uso, ajuste o mantenimiento, es importante leer atentamente este manual de instrucciones. Guarde este manual en un lugar seguro para consulta futura.

La pistola ANEST IWATA de pulverización de agentes de desmoldeo cumple con la normativa ATEX 94/9/CE, nivel de protección II 2 G X



apto para el uso en las zonas 1 y 2. Marcado X: Es necesario desviar a tierra toda descarga de electricidad estática de la pistola de pulverización a través de la tubería de aire conductora como establecido.

**⚠** Cumpla SIEMPRE con las advertencias y las precauciones indicadas en este manual de instrucciones.

Símbolo	SIGNIFICADO	Nivel de peligro	Consecuencias
<b>⚠</b>	<b>ADVERTENCIA</b>	Situación potencialmente peligrosa.	Grave peligro para la salud y la vida del operador.
	<b>ATENCIÓN</b>	Situación potencialmente peligrosa.	Riesgo moderado para el operador y el equipo.
	<b>IMPORTANTE</b>	Situación potencialmente peligrosa.	Daños materiales.

## 1. ESPECIFICACIONES TÉCNICAS

Presión de aire de trabajo máx:	7.0 bar (100 PSI)
Peso g (lbs): (sin taza)	380 (0.84)
Nivel de ruido (LAeqT)*:	79.7 dB(A)
Conexión aire	G1/4" M
Conexión fluido	M16 x 1.5 mm
Temperatura máx:	Entorno: 5 ~ 40 °C - Aire/Fluido 5 ~ 43 °C
*Punto de medición: 1 m de la pistola, hacia atrás, altura 1.6 m.	

## 2. ADVERTENCIAS DE SEGURIDAD

### RIESGO DE INCENDIO Y EXPLOSIONES **⚠**

1. No utilice **DISOLVENTES DE HIDROCARBONO HALOGENADO**, que pueden provocar grietas o fundir el cuerpo de la pistola de pulverización (aluminio) debido a reacciones químicas.

**DISOLVENTES INADECUADOS:** cloruro de metileno, diclorometano, 1,2-dicloroetano, tetracloruro de carbono, tricloroetileno, 1,1,1-tricloroetano.

2. Se prohíbe estrictamente la presencia de chispas y llamas expuestas. Los productos utilizados pueden ser altamente inflamables y pueden causar incendios. No los exponga a artefactos eléctricos, llamas expuestas, cigarrillos, etc.

3. Conectar firmemente a tierra la pistola de pulverización utilizando la tubería de aire conductora. (Menor de 1MSQ). Verificar periódicamente la estabilidad de la puesta a tierra.

### PROTECCIÓN CORPORAL **⚠**

1. Utilice en un lugar bien ventilado, empleando la cabina de pulverización. La mala ventilación puede provocar envenenamiento por disolventes orgánicos o incendios.

2. Utilice prendas protectoras (gafas de protección, máscara, guantes) para evitar la inflamación de los ojos y de la piel. Si siente alguna molestia física, consulte a un médico de inmediato.

3. Use tapones si fuera necesario. El nivel de ruido puede superar los 80 dB(A), en función de las condiciones de funcionamiento y del lugar de trabajo.

4. Tirar del gatillo muchas veces durante el funcionamiento podría provocar el síndrome del túnel carpiano. Suspender las operaciones de pulverización para efectuar una breve pausa, si siente fatiga de la mano.

## USO INADECUADO **⚠**

- NO apunte la pistola hacia personas o animales.
- NO utilice una presión de trabajo ni una temperatura de funcionamiento superiores a las máximas.
- Descargue siempre la presión de aire y fluido antes las operaciones de limpieza, desmontaje y mantenimiento. De no hacerlo así, la presión restante podría provocar lesiones personales debido al mal uso o a la difusión del líquido de limpieza.
- La extremidad de la aguja es cortante. Para evitar accidentes, no toque la punta durante el mantenimiento.
- No pulverice nunca productos alimenticios o químicos con esta pistola. Si lo hace, elementos extraños podrían causar la erosión de los pasos del fluido, dañar la pistola y perjudicar la salud.
- No modifique nunca la pistola de pulverización, para evitar daños que podrían afectar la calidad del resultado.
- En caso de problemas de funcionamiento, suspenda inmediatamente las operaciones de pulverización para localizar la avería. No utilice nuevamente el producto mientras el problema no esté resuelto.
- No entre nunca en las zonas de trabajo de los equipos (robots, reciprocadores, etc.) mientras no se hayan desactivado. De lo contrario, el contacto con los equipos en funcionamiento podría ser la causa de accidentes y lesiones.

## 3. CONEXIÓN **⚠**

### ATENCIÓN

- Para alimentar la pistola, utilice aire filtrado y seco. Se recomienda el uso de un filtro con descarga automática de la condensación y secador.
  - Cuando utilice por primera vez la pistola apenas comprada, reluge el grupo de junta aguja y limpie los conductos de material pulverizando un detergente compatible, para eliminar el aceite de protección contra la oxidación.
  - Conecte firmemente el tubo o el depósito en la pistola, para evitar que la desconexión de los mismos durante las operaciones de pulverización provoque lesiones graves a las personas.
- Conecte firmemente el tubo de aire de alimentación en la conexión de aire 1/4" M (5-1).
  - Conecte firmemente un depósito apropiado en la conexión de fluido (5-2).
  - Limpie los conductos de pintura de la pistola con un disolvente compatible.
  - Vierta la pintura en el depósito, controle el chorro, ajuste la salida del material y el ancho del abanico.

## 4. CÓMO ACTUAR

- La presión de aire de pulverización aconsejada es de 2.0 a 3.0 bar (de 29 a 43 PSI).
- La viscosidad aconsejada de la pintura varía según las propiedades de la misma y las condiciones de trabajo. Se recomienda una viscosidad de 15 a 23 seg./Copa Ford #4.
- Ajuste la distancia de pintura, posiblemente en un espacio limitado y de 150 a 250 mm.
- La pistola se debe mantener siempre perpendicular a la superficie de la pieza que se pinta. Además, lo mejor es que la pistola trabaje siempre por franjas horizontales. El posible desplazamiento de la pistola podría provocar una pintura poco uniforme.

## 5. MANTENIMIENTO Y REVISIÓN **⚠**

**⚠** Antes de comenzar cualquier operación de revisión o de mantenimiento, lea y respete siempre escrupulosamente todas las indicaciones de las ADVERTENCIAS DE SEGURIDAD.

### ATENCIÓN

- No utilice nunca componentes o piezas de recambio que no sean originales ANEST IWATA.
- No estropee nunca los orificios del casquillo de aire, del pico de material ni los extremos de la aguja.
- No sumerja nunca completamente la pistola en líquidos como el disolvente.

### 5.1 OPERACIÓN DE LIMPIEZA MANUAL



**Una limpieza incompleta puede causar defectos en la forma del abanico. Sobre todo limpiar inmediatamente y completamente después del uso con pinturas Bicomponentes.**

- **No deje nunca el casquillo de aire (1) sumergido en el disolvente durante un periodo prolongado, ni siquiera durante la limpieza.**
- **No utilice nunca objetos metálicos para la limpieza de la pistola.**

1. Descargue la pintura residual del depósito y de la pistola en un recipiente adecuado.
2. Vierta el líquido de limpieza en el depósito.
3. Desensroseque dos vueltas el casquillo de aire (1), para permitir que el aire de pulverización efectúe el flujo a contracorriente en los conductos de material de la pistola.
4. Tire del gatillo (16), comprobando que el aire de pulverización entre en el depósito.
5. Deje actuar el líquido detergente durante algunos segundos y luego vacíelo en un recipiente adecuado para la eliminación de líquidos nocivos.
6. Repita la operación anterior hasta que la pistola esté limpia.
7. Retire el casquillo de aire (1) y el depósito de la pistola y limpie todas las piezas con la escobilla entregada con el equipo embebida en disolvente y con un paño absorbente.
8. Seque perfectamente todas las piezas y aplique un lubricante específico en todas las zonas roscadas.

### 5.2 OPERACIÓN DE LIMPIEZA AUTOMATIZADA

- Cuando utilice el Lavador automático de pistolas, siga atentamente las instrucciones del manual entregado con el equipo. Antes de comenzar las operaciones de limpieza, asegúrese de descargar el aire de los conductos de aire de la pistola.
- Utilice exclusivamente un detergente líquido apropiado para el uso con el Lavador de pistolas.
- Asegúrese de secar inmediatamente el equipo después del uso.
- No deje las pistolas en el Lavador de pistolas después del lavado. El detergente podría estropear las juntas y provocar corrosión dentro del cuerpo de la pistola.
- No deje la pistola sumergida en el disolvente.
- Conecte el equipo correctamente a tierra. El uso de detergentes líquidos con pinturas a base de agua puede aumentar el nivel de PH, en especial después de varios lavados. Cambie regularmente el detergente líquido para no alterar el rendimiento ni la calidad del producto.
- Asegúrese de no superar nunca el nivel de PH del detergente líquido. Nivel de PH: 6,0-8,0 (sólo durante el lavado)

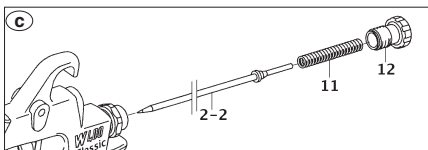
### 5.3 OPERACIONES DE DESMONTAJE

- Limpie siempre los conductos de pintura antes de desmontar la pistola.

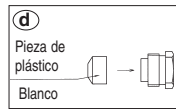


- a. Retire el pico de material (2-1), mientras la aguja (2-2) permanece extraída (apretando el gatillo), para proteger el asiento de la aguja.
- b. Retire la aguja (2-2) (sólo si es indispensable).

- c. Retire la tuerca de regulación de fluido (12) y el muelle de presión de la aguja (11), extrayendo el muelle y la aguja (2-2) por la parte trasera de la guía de regulación de la aguja (10) aún montada en el cuerpo de la pistola (5).



- d. La regulación del grupo de juntas de la aguja (21) siempre se debe llevar a cabo con la aguja (2-2) montada y de la siguiente manera: cierre manualmente con un giro de unos 60 grados y luego apriete con la llave correspondiente.



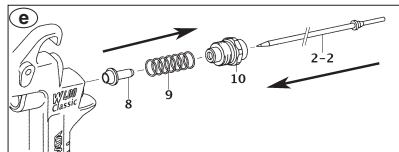
- Cuando retire el grupo de juntas de la aguja (21), compruebe que la pieza de plástico del grupo de juntas de la aguja (21) no quede dentro del cuerpo de la pistola.
- Un apriete excesivo del grupo de juntas de la aguja (21) puede obstruir el movimiento de la aguja (2-2), con la consiguiente fuga de pintura por el extremo del pico de material (2-1).

- Regule correctamente el grupo de juntas de la aguja (21) accionando el gatillo y controlando el movimiento de la aguja (2-2).
- Si el apriete sigue siendo excesivo, repita la operación.

- e. **Montaje de la válvula de aire:** monte juntos la válvula de aire (8), el muelle de la válvula de aire (9) y la guía de regulación de la aguja (10).

Luego, coloque la aguja (2-2) en la guía de regulación de la aguja (10), introduzca el grupo en el cuerpo de la pistola (5) y enrosque la guía de regulación de la aguja (10).

- Si se intenta introducir el muelle de la válvula de aire (9) y la válvula de aire (8) en el cuerpo (5) sin la aguja (2-2), la válvula de aire (8) no se podrá fijar correctamente y se estropeará la junta presente dentro de la guía de regulación de la aguja (10).



- f. **Desmontaje del grupo de regulación del abanico (6) y de la válvula reguladora del flujo de aire (14).** Para desmontar el grupo de regulación del abanico (6) o la válvula reguladora del flujo de aire (14), gire a mano en sentido contrario al de las agujas del reloj la tuerca hexagonal de la regulación, para abrirla completamente, y desenrosque con la llave correspondiente el lado hexagonal, girándolo en sentido contrario al de las agujas del reloj.

- Para montar nuevamente el grupo de regulación del abanico (6) y la válvula reguladora del flujo de aire (14), efectúe las operaciones en el orden contrario.

**IMPORTANTE:** antes de montar nuevamente el grupo de regulación del abanico y/o la válvula reguladora de aire, compruebe que estas operaciones se hagan siempre con la regulación completamente abierta.

### 5.4 REVISIÓN Y REEMPLAZO ESTÁNDAR

PIEZAS A CONTROLAR	PIEZAS A REEMPLAZAR
a. Todos los orificios de salida del casquillo aire (1) y del pico de material (2-1).	Reemplazar si están aplastados o deformados.
b. Juntas y junta tórica.	Reemplazar si están aplastadas o deformadas
c. Fugas en los asientos entre el pico de material (2-1) y la aguja (2-2).	Reemplazar si las fugas no se eliminan ni siquiera después de limpiar perfectamente el pico de material (2-1) y la aguja (2-1).  Si se reemplazan sólo el pico (2-1) y la aguja (2-2), se debe comprobar el correcto acoplamiento de las dos piezas y se debe controlar de la ausencia de fugas.

## 6. PROBLEMAS, CAUSAS Y REMEDIOS

### NO SALE PINTURA



- Tuerca de regulación de fluido (12) abierta de manera insuficiente. Controlar y regular.
- Orificio del pico de material (2-1) obstruido. Controlar y limpiar.
- Filtro de pintura obstruido. Controlar y limpiar.
- Paragotas obstruido. Controlar y limpiar.

### PULVERIZACIÓN INTERMITENTE



- Pérdida de aire por el pico de material (2-1). Controlar, limpiar y reemplazar si hace falta.
- Pérdida de aire por el grupo de juntas de la aguja (21). Apretar.
- Pérdida de aire por la conexión del depósito. Apretar.
- Restos de pintura en el casquillo de aire (1). Limpiar.

### DEFECTOS DEL ABANICO



- Pico de material (2-1) o casquillo de aire (1) con pintura encostrada. Limpiar esmeradamente.
- Pico de material (2-1) o casquillo de aire (1) estropeados. Reemplazar si hace falta.
- Pico de material (2-1) flojo. Apretar.
- Viscosidad de la pintura demasiado alta o baja. Diluir la pintura o aumentar la viscosidad.
- El caudal de pintura es demasiado alto o demasiado bajo. Ajustar la tuerca de regulación (12) para disminuir o aumentar el caudal.

### PÉRDIDA DE PINTURA

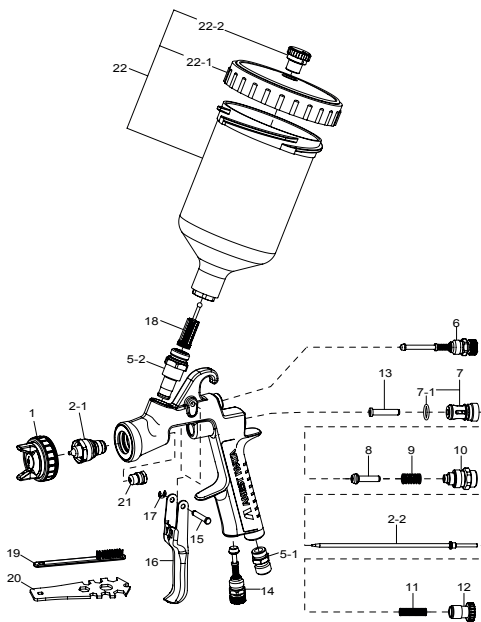


- Pico de material (2-1), aguja (2-2) o cuerpo de la pistola (5) con pintura encostrada, estropeados o con el asiento desgastado. Limpiar o reemplazar si hace falta.
- Restos de pintura en el casquillo de aire (1). Limpiar.
- Tuerca de regulación de fluido (12) floja. Regular.
- Muelle de presión de la aguja (11) desgastado. Reemplazar.
- Pico de material (2-1) flojo. Apretar.
- Grupo de juntas de la aguja (21) flojo, demasiado apretado sucio o consumido. Regular, limpiar o reemplazar si hace falta.

### PÉRDIDA DE AIRE POR EL CASQUILLO DE AIRE

- Válvula de aire (8), asiento de la válvula de aire (7), muelle de la válvula de aire (9), sucios o estropeados. Limpiar o reemplazar si hace falta.
- La junta tórica (7-1) del cuerpo de la válvula de aire está estropeada o desgastada. Reemplazar.

## 7. LISTA DE PIEZAS DE RECAMBIO



POS.	DESCRIPCIÓN	
1	Casquillo aire	
2	Grupo Pico material + Aguja	●
2-1	Pico material	●
2-2	Aguja	●
5	Cuerpo	
5-1	Conexión aire	
5-2	Conexión fluido*	
6	Grupo regulación abanico	
7	Asiento válvula aire*	
7-1	Junta torica	●
8	Válvula aire	●
9	Muelle válvula aire	
10	Guída regulación aguja	
11	Muelle aguja	
12	Tuerca de regulación fluido	
13	Eje válvula aire	●
14	Grupo regulación aire	
15	Perno gatillo	
16	Gatillo	
17	Cierre e	
18	Filtro 60 Mesh	
19	Escobilla	
20	Llave	
21	Cartucho junta aguja	●
22	Taza 600 cc	
22-1	Tapa	
22-2	Tapón	

● Las piezas marcadas son piezas sometidas a desgaste.

NOTA: durante la fase de pedido se ruega especificar siempre el modelo de la pistola, el nombre del recambio con su número de referencia, y la sigla del casquillo de aire, del pico de material y de la aguja.

\* ATENCIÓN: Para desmontar el cuerpo de la válvula de aire (elem. 7) utilice una llave Allen de 10 mm (no del tipo de cabeza esférica).

Para desmontar la conexión de fluido (elem. 5-2) utilice una llave Allen de 8 mm.





Antes de proceder à montagem, à entrada em serviço, ao ajuste ou às operações de manutenção, leia cuidadosamente o manual de instruções, que deve ser guardado para qualquer futura consulta.

A pistola ANEST IWATA para a pulverização de agentes de separação está em conformidade com a norma ATEX 94/9/CE.

Nível de protecção: categoria II 2 G X adapto para o uso nas Áreas 1 e 2. Marcação X: a electricidade estática deve ser descarregada da pistola e desviada para terra através do tubo de condução do ar, conforme indicado.



Assegure-se de respeitar SEMPRE as advertências para a segurança, contidas no manual de instruções acima mencionado.

Símbolo	SIGNIFICADO	Nível de perigo	Consequências
	<b>ADVERTÊNCIAS</b>	Situação potencialmente perigosa.	Riscos graves para a saúde e a vida do operador.
	<b>CAUIDADO</b>	Situação potencialmente perigosa.	Riscos moderados para o produto e o operador.
	<b>IMPORTANTE</b>	Situação potencialmente perigosa.	Danos materiais.

## 1. ESPECIFICAÇÕES TÉCNICAS

Máx. pressão utilização ar:	7.0 bar (100 PSI)
Peso g (lbs): (sem copo)	380 (0.84)
Ruído (LAeqT)*:	79.7 dB(A)
Conector de ar:	G1/4" M
Conector de fluido:	M16 x 1.5 mm
Temperatura Máxima:	Ambiente 5 ~ 40 °C / Ar-Fluido 5 ~ 43 °C
* Ponto de medição: 1 m atrás da pistola, 1,6 m de altura.	

## 2. ADVERTÊNCIAS DE SEGURANÇA

### RISCOS DE INCÊNDIOS E EXPLOSÕES

- Nunca utilize SOLVENTES HIDROCARBONETOS HALOGENADOS, que poderiam causar danos e dissolução das partes em alumínio do corpo da pistola, provocados por reacções químicas.  
SOLVENTES INCOMPATÍVEIS: cloroeto de metileno, diclorometano, 1,2-dicloroetano, tetracloreto de carbono, tricloroetileno, 1,1,1-tricloroetano.
- É estritamente proibido produzir chamas livres e faíscas. Os produtos utilizados podem ser muito inflamáveis e, portanto, provocar graves incêndios, como, por exemplo, fumar, provocar faíscas ou qualquer risco eléctrico.
- Ligue correctamente ao fio de terra a pistola para a pintura, utilizando um tubo de condução do ar (Inferior a 1 Mq). Controle periodicamente a estabilidade da ligação ao fio de terra.

### RISCOS PARA A SAÚDE

- Utilize a pistola para a pintura em ambientes correctamente ventilados, usando a cabine de pintura.  
Uma ventilação não adequada ou insuficiente poderia provocar uma intoxicação devido a solventes orgânicos ou causar incêndios.
- Vista sempre roupa de protecção (óculos de protecção, máscara, luvas). Para evitar que o contacto com os materiais irritantes possa provocar inflamações nos olhos e na pele. Caso houver mesmo o mínimo risco de dano físico, consulte imediatamente um médico.
- Se for necessário, use tampões de ouvidos. O nível de ruído pode ultrapassar os 80 dB (A) e depende das condições de utilização e da área de trabalho.
- Puxar prolongadamente o gatilho da pistola durante a utilização pode provocar a síndrome do túnel carpal. Caso a mão ficar cansada, interrompa as operações de pintura por um breve período de pausa. zioni di verniciatura per una breve pausa.

## RISCOS DE USO IMPRÓPRIO

- NUNCA aponte a pistola em direcção de pessoas ou animais.
- NUNCA ultrapasse a pressão ou a temperatura máxima de utilização.
- Descarregue sempre a pressão do ar e do material, antes das operações de limpeza, montagem e manutenção.  
Ao contrário, a pressão residual poderia causar feridas no corpo provocadas por operações não correctas ou pela pulverização dos líquidos usados para a limpeza.
- A ponta da agulha do produto é afiada. Para não correr o risco de ferir-se, não toque a agulha durante as operações de manutenção.
- Nunca pulverize produtos alimentares ou químicos com esta pistola. Ao contrário, a mistura de substâncias estranhas poderia causar a corrosão das passagens da tinta, com consequentes danos na pistola e riscos para a saúde.
- Nunca modifique a pistola para pintura, para evitar danificações que poderiam prejudicar a qualidade do resultado.
- No caso de maus funcionamentos interrompa imediatamente as operações de pintura para a procura da avaria. Não utilize novamente o produto até ter resolvido o problema.
- Nunca entre nas áreas de trabalho dos equipamentos (p. ex., robô, reciprocadores, etc.) até as mesmas forem desactivadas. Ao contrário, o contacto com os equipamentos em função poderia causar acidentes e ferimentos.

## 3. CONEXÃO

### CAUIDADO

- Para alimentar a pistola utilize ar filtrado e seco. Aconselha-se o uso de um filtro com descarga automática de condensação e secador.
- Quando utilizar a pistola pela primeira vez após a compra, regule a junta da agulha, limpe as passagens do material, pulverizando solvente compatível para remover o óleo anti-ferrugem.
- Conecte solidamente a tubulação ou o copo à pistola, para evitar que a desconexão da mesma durante as operações de pintura provoque feridas graves no corpo.

- Conecte solidamente o tubo de ar de alimentação ao conector de ar 1/4"(5-1).
- Conecte solidamente um copo adequado ao conector do produto (5-2).
- Limpe as passagens de tinta da pistola com solvente compatível.
- Coloque a tinta no copo, verifique a pulverização, ajuste a saída do produto e a largura do leque.

## 4. COMO OPERAR

- A pressão do ar de atomização aconselhada é compreendida entre 2.0 e 3.0 bar (29 e 43 PSI).
- A viscosidade da tinta aconselhada mudará conforme as propriedades da tinta e as condições de pintura. É aconselhada uma viscosidade entre 15 e 23 seg. / Carter Ford #4.
- Calibre a distância de pintura, possivelmente num espaço restrito e compreendido entre os 150-250 mm.
- A orientação da pistola deve ser mantida sempre perpendicular à superfície da peça de trabalho. Além disso, a pistola deve operar sempre por linhas horizontais. Eventuais deslocamentos da pistola pode provocar uma pintura não uniforme.

## 5. MANUTENÇÃO E INSPECÇÃO

### ATENÇÃO



Antes de proceder a qualquer operação de inspecção e manutenção, leia sempre e observe cuidadosamente todas as indicações sobre as ADVERTÊNCIAS DE SEGURANÇA.

- Nunca utilize outros componentes ou peças sobressalentes que não sejam originais ANEST IWATA.
- Nunca danifique os furos do espalhador, do bico do produto e a extremidade da agulha.
- Nunca submerja completamente a pistola nos líquidos como solvente.



## 5.1 PROCEDIMENTO PARA A LIMPEZA MANUAL



**UMA LIMPEZA INCOMPLETA PODE CAUSAR DEFEITOS NA FORMA DO LEQUE. LIMPE COMPLETA E IMEDIATAMENTE APÓS O USO DO PRODUTO COM TINTA BICOMPOSTA.**

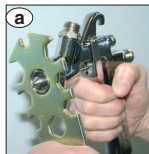
- Nunca deixe submerso o espalhador (1) no solvente por um período prolongado, mesmo durante a limpeza.
  - Nunca utilize objectos metálicos para a limpeza da pistola.
1. Descarregue a pintura residual do copo e da pistola, colocando-a num recipiente adequado.
  2. Deposite o líquido de limpeza no copo.
  3. Desaparafuse o espalhador (1) de 2 rotações, para permitir ao ar de atomização de efectuar o back flush, nas passagens do material da pistola.
  4. Puxe o gatilho (16) certificando-se que o ar de atomização entre no copo.
  5. Deixe o líquido detergente agir por algum segundo e então esvazie-o num recipiente adequado para a eliminação dos líquidos nocivos.
  6. Repita o procedimento anterior até que a pistola fique limpa.
  7. Remova o espalhador (1) e o copo da pistola e então limpe cada secção com a escova que vem fornecida, molhada com solvente e um pano absorvente.
  8. Seque cada parte completamente e aplique um lubrificante específico em cada secção roscaada.

## 5.2 PROCEDIMENTO PARA A LIMPEZA AUTOMATIZADA

- Quando se utiliza a Lavadora de pistola automática, siga com atenção o manual fornecido com a aparelhagem. Antes de proceder às operações de limpeza, certifique-se de descarregar o ar das passagens de ar da pistola.
- Utilize exclusivamente um líquido detergente apto ao uso com a Lavadora de pistolas.
- Certifique-se de enxugar imediatamente a aparelhagem após o uso.
- Não deixe estacionar as pistolas na Lavadora de pistolas após a lavagem. O detergente pode danificar as juntas e causar corrosões no interior do corpo da pistola.
- Não deixe submersa a pistola no solvente.
- Conecte correctamente a terra a aparelhagem. A utilização de líquidos detergentes com tintas a base de água pode aumentar o nível do PH, especialmente após várias lavagens. Substitua regularmente o líquido detergente para não alterar as prestações e a qualidade do produto.
- Certifique-se de não superar nunca o nível de PH do líquido detergente. Nível de PH : 6.0-8.0 (somente durante a lavagem)

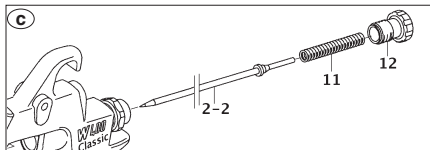
## 5.3 PROCEDIMENTO DE DESMONTAGEM

- Limpe sempre as passagens de tinta antes da desmontagem da pistola.

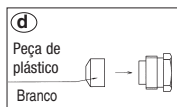


- a. Remova o bico do produto (2-1), enquanto a agulha (2-2) permanece puxada (apertando o gatilho), para proteger a sede da agulha.
- b. Remova a agulha do produto (2-2) (somente se estritamente necessário).

- c. Remova o botão de ajuste do produto (12) e a mola da agulha (11) extraíndo a mola e a agulha do produto (2-2) por trás da guia ajuste da agulha (10) ainda montada no corpo (5).



- d. O ajuste da junta da agulha (21), deve sempre ser efectuado com a agulha do produto (2-2) montada e no seguinte modo: feche manualmente por uma rotação de cerca 60 graus e sucessivamente aperte com a chave apropriada.

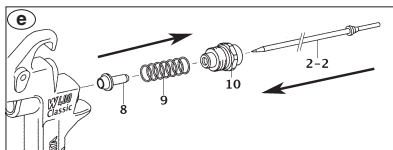


- Quando remover a junta da agulha (21), certifique-se de não deixar a peça de plástico da junta da agulha (21) dentro do corpo.
- Um aparafusamento excessivo da junta da agulha (21) pode provocar um impedimento ao movimento da agulha do produto (2-2), com conseqüente vazamento de tinta pela extremidade do bico do produto (2-1).

- Ajuste com cautela a junta da agulha (21) accionando o gatilho e controlando o movimento da agulha do produto (2-2).
- Se o aparafusamento for ainda excessivo, repita novamente a operação.

- e. **Montagem da válvula de ar.** Monte a válvula de ar (8), a mola da válvula de ar (9) e a guia ajuste da agulha (10) juntas. Então insira a agulha do produto (2-2) na guia ajuste da agulha (10), introduza o conjunto no corpo (5) e aparafuse a guia ajuste da agulha (10).

- Se tenta-se de inserir a mola da válvula de ar (9) e a válvula de ar (8) no corpo (5) sem a agulha do produto (2-2), a válvula de ar (8) não poderá ser fixada correctamente e a junta no interior da guia ajuste da agulha (10) será danificada.



- f. **Desmontagem do regulador do leque (6) e/ou do regulador de ar (14).**

Para desmontar o regulador do leque (6) e/ou o regulador de ar (14), gire manualmente no sentido anti-horário o botão hexagonal de ajuste para abri-lo completamente e desaparafuse com a chave apropriada o lado hexagonal girando-o no sentido anti-horário.

- Para remontar o regulador do leque (6) e/ou o regulador de ar (14) proceda no modo invertido.

**IMPORTANTE:** Antes de remontar o regulador do leque e/ou do ar, certifique-se que estas operações sejam efectuadas sempre com o ajuste completamente aberto.

## 5.4 INSPECÇÕES & SUBSTITUIÇÕES PADRÕES

PEÇAS A CONTROLAR	PEÇAS A SUBSTITUIR
a. Cada furo de passagem do bico de ar (1) e do bico do material (2-1).	Substitua se forem esmagados ou deformados.
b. Vedações e o-ring.	Substitua se forem deformadas ou desgastadas.
c. Vazamentos das secções das sedes entre o bico do material (2-1) e a agulha (2-2).	Substitua-os se os vazamentos não param mesmo após que o bico do produto (2-1) e a agulha do produto (2-2) forem completamente limpos.  Se substituiu somente o bico (2-1) e a agulha (2-2), verifique o correcto acoplamento de ambos e certifique-se que não tenham eventuais vazamentos.

## 6. PROBLEMAS, CAUSAS E SOLUÇÕES

### FALTA DE SAÍDA DE TINTA



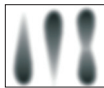
- Botão de ajuste do produto (12) Verifique e ajuste. não suficientemente aberto.
- Furo do bico do produto (2-1) Verifique e limpe. obstruído.
- Filtro de tinta obstruído. Verifique e limpe.
- Anti-gota obstruído. Verifique e limpe.

### ATOMIZAÇÃO A INTERMITÊNCIA



- Vazamento de ar do bico do produto (2-1). Verifique, limpe e substitua se necessário.
- Vazamento de ar da junta da agulha (21). Aperte.
- Vazamento de ar do conector do copo. Aperte.
- Resíduos de tinta no espalhador (1). Limpe.

### DEFEITOS NO LEQUE



- Bico do produto (2-1) ou espalhador (1) incrustados de tinta. Limpe-os cuidadosamente.
- Bico do produto (2-1) ou espalhador (1) danificados. Substitua-os se necessário.
- Bico do produto (2-1) afrouxado. Aperte.
- Viscosidade da tinta demais elevada ou demais baixa. Dilua a tinta ou aumente a viscosidade.
- O fluxo da tinta é demais elevada ou demais baixa. Actue no botão ajuste do produto (12) para reduzir ou aumentar o fluxo.

### VAZAMENTO DA TINTA

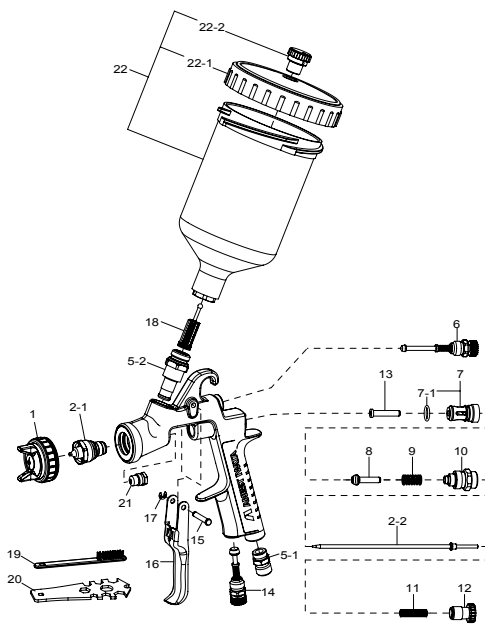


- Bico do produto (2-1), agulha (2-2) ou corpo (5), incrustados, danificados ou desgastados na sede. Limpe-os ou substitua-os se necessário.
- Resíduos de tinta no espalhador (1). Limpe.
- Botão ajuste do produto (12) afrouxado. Ajuste.
- Mola da agulha (11) desgastada. Substitua-a.
- Bico do produto (2-1) afrouxado. Aperte.
- Junta da agulha (21) afrouxada, demais estreita, suja ou desgastada. Ajuste-a, limpe-a ou substitua-a se necessário.

### ESCAPE DE AR PELO ESPALHADOR

- Válvula de ar (8), assento da válvula de ar (7), mola da válvula de ar (9) sujas ou danificadas. Limpe-as ou substitua-as se necessário.
- O O'ring do corpo da válvula de ar (7-1) está danificado ou desgastado. Substitua-o.

## 7. LISTA PEÇAS SOBRESSALENTES



POS.	DESCRIÇÃO	
1	Espalhador	
2	Bico do produto + Agulha	●
2-1	Bico do produto	●
2-2	Agulha	●
5	Corpo	
5-1	Conector do ar	
5-2	Conector do produto*	
6	Regulador do ar	
7	Assento da válvula de ar*	
7-1	O'ring	●
8	Válvula de ar	●
9	Mola da válvula de ar	
10	Guia ajuste da agulha	
11	Mola da agulha	
12	Ajuste do produto	
13	Eixo válvula de ar	●
14	Regulador de ar	
15	Eixo de gatilho	
16	Gatilho	
17	Anel de retenção	
18	Filtro 60 Mesh	
19	Escova	
20	Chave	
21	Junta da agulha	●
22	Copo 600 cc	
22-1	Tampa	
22-2	Rosca	

\*ATENÇÃO: Para a desmontagem do corpo da válvula de ar (7), utilize uma chave Allen de 10 mm (não do tipo com cabeça esférica).

Para a desmontagem do conector do produto (5-2), utilize uma chave Allen de 8 mm.

● As partes marcadas são sujeitas a desgaste.

OBSERVAÇÃO: Ao ordenar pede-se sempre de especificar o modelo da pistola, o nome da peça sobressalente com o referimento numérico, a sigla do espalhador, do bico do produto e da agulha.



Bevor Sie das Gerät einsetzen, einschalten, regulieren oder warten, lesen Sie diese Betriebsanleitung sorgfältig, die für jeden zukünftigen Hinweis erhalten werden muss.

Die ANEST IWATA Trennmittel-Spritzpistole ist in Übereinstimmung mit den Rechtsvorschriften ATEX 94/9/EG.



Schutzgrad: Gerätekategorie II 2 G X geeignet für den Gebrauch in den Zonen 1 und 2.

X-Kennzeichnung: Die statische Elektrizität muss von der Pistole entladen und durch den leitenden Luftschlauch geerdet werden.



Beachten Sie **IMMER** die Sicherheitshinweise, die in dieser Betriebsanleitung enthalten sind.

Symbol	BEDEUTUNG	Gefahrenniveau	Folgen
	<b>WARNHINWEISE</b>	Potentiell gefährliche Situation.	Hohe Risiken für die Gesundheit und das Leben des Bedieners.
	<b>VORSICHTIG</b>	Potentiell gefährliche Situation.	Mäßige Risiken für Produkt und Bediener.
	<b>WICHTIG</b>	Potentiell gefährliche Situation.	Materielle Schäden.

## 1. TECHNISCHE SPEZIFIKATIONEN

Max. Arbeitsluftdruck:	7.0 bar (100 PSI)
Gewicht g (lbs): ohne Becher	380 (0.84)
Lärme (LAeqT)*:	79.7 dB(A)
Luftanschluss	G1/4" M
Materialanschluss	M16 x 1.5 mm
Max. Temperatur	Raum 5 ~ 40 °C - Luft/Flüssigkeit 5 ~ 43 °C
* Messstelle: 1 m hinter der Pistole, 1,6 m Höhe	

## 2. SICHERHEITSHINWEISE

### EXPLOSIONS- UND FEUERGEFAHR



- Niemals HALOGENKOHLENWASSERSTOFFLÖSUNGSMITTEL verwenden**, die durch chemische Reaktionen zur Auflösung des Pistolenkörpers aus Aluminium führen können.  
**UNGEEIGNETE LÖSUNGSMITTEL:** Methylchlorid, Dichloromethan, 1,2 Dichloroethan, Tetrachlorkohlenstoff, Trichloräthylen.
- Funken und offene Flammen sind strikt zu vermeiden.** Die verwendeten Produkte sind leicht entzündlich und deshalb können Brände auslösen. Niemals offenen Flammen, elektrischen Geräten, Zigaretten, u.ä. aussetzen.
- Spritzpistole sicher durch leitenden Luftschlauch erden.** (Widerstand 1MΩ). Stets sicherstellen, dass die Spritzpistole korrekt geerdet ist.

### GESUNDHEITSSCHUTZ



- Arbeitsplatz muss über eine gute Ventilation verfügen; verwenden Sie eine Spritzkabine.**  
Bei unzureichender Ventilation kann es zu einer Vergiftung mit organischen Lösungsmitteln oder Feuer kommen.
- Tragen Sie immer Schutzausrüstung (Schutzbrille, Schutzmaske und Handschuhe)**, um Augen- und Hautentzündungen zu vermeiden.  
Falls Beschwerden auftreten, suchen Sie sofort einen Arzt auf.
- Falls nötig, sollten Sie Gehörschutz anwenden.**  
Der Lärmpegel kann je nach Arbeitsbedingungen und Standort 80 dB(A) übersteigen.
- Die andauernde Benutzung der Spritzpistole, die ein ständiges Drücken des Pistolenabzugs vorsieht, kann das Karpaltunnelsyndrom verursachen.** Ruhen Sie sich immer aus, wenn Sie müde sind.

## UNSACHGEMÄSSE ANWENDUNG



- Zielen Sie niemals die Pistole auf Menschen oder Tiere.
- Überschreiten Sie nie den maximalen Arbeitsdruck oder die maximale Arbeitstemperatur.
- Vor Reinigung, Auseinandernehmen und Wartung blasen Sie immer den Luft- und Flüssigkeitsdruck aus.**  
Andernfalls kann der verbleibende Druck Verletzungen wegen der unsachgemäßen Anwendung und der Ausstößung der Reinigungsflüssigkeit verursachen.
- Das Flüssigkeitsnadelset ist oben spitz.** Um Zwischenfälle zu vermeiden, berühren Sie die Spitze niemals während Wartungsarbeiten.
- Verwenden Sie niemals die Pistole zum Spritzen von Lebensmitteln oder Chemikalien.** Andernfalls könnten ungeeignete Substanzen zu Korrosion der Flüssigkeitsleitungen und damit zu Gesundheitsschäden führen.
- Verändern Sie nie die Spritzpistole, um Beschädigungen zu vermeiden,** welche die Qualität des Ergebnisses beeinträchtigen könnten.
- Bei Funktionstörungen unterbrechen Sie die Spritzvorgänge sofort, um den Defekt festzustellen.** Das Produkt nicht erneut verwenden, solange das Problem nicht gelöst wird.
- Betreten Sie nie die Arbeitsbereiche der Maschinen (wie Roboter, Bewegungsautomaten, usw.), solange diese nicht eingeschaltet werden.**  
Bei Zuwiderhandlung könnte der Kontakt mit den laufenden Maschinen zu Unfällen und Verletzungen führen.

## 3. VERBINDUNG



### VORSICHT

- Um die Pistole zu versorgen, gefilterte und trockene Luft verwenden.  
Es wird der Einsatz eines Filters mit automatischem Kondenswasserablass und Trockner empfohlen.
- Bei der ersten Verwendung der Pistole nach dem Erwerb das Farbnadelchichtungsset regeln und die Farbdurchgänge reinigen, indem zum Entfernen des Rostschutzzöls geeignetes Lösungsmittel versprüht wird.
- Die Leitung oder den Behälter fest an die Pistole anschließen, um zu verhindern, dass das Ablösen derselben während der Lackiervorgänge schwere Körperverletzungen verursacht.
- Den Versorgungsluftschlauch fest mit dem Druckluftanschluss 1/4" M verbinden (5-1).
- Einen geeigneten Behälter fest mit dem Materialanschluss verbinden (5-2).
- Die Lackdurchgänge der Pistole mit kompatiblen Lösungsmitteln reinigen.
- Den Lack in den Behälter gießen, den Spritzvorgang überprüfen und die Farbausgabe und die Spritzstrahlbreite einstellen.

## 4. VORGEHENSWEISE

- Der empfohlene Druck der Zerstäubungsluft beträgt zwischen 2.0 und 3.0 bar (29 und 43 PSI).
- Die empfohlene Viskosität des Lacks variiert je nach Lackeigenschaften und Lackierungsbedingungen. Es wird eine Viskosität zwischen 15 und 23 s / Ford-Becher #4 empfohlen.
- Den Lackierabstand möglichst in einem begrenzten Raum und zwischen 150-250 mm kalibrieren.
- Die Pistole sollte stets senkrecht zur Oberfläche des zu bearbeitenden Teils gehalten werden. Außerdem sollte die Pistole stets in horizontalen Linien arbeiten. Eventuelle Verschiebungen der Pistole könnten eine ungleichmäßige Lackierung ergeben.

## 5. WARTUNG UND INSPEKTION

### VORSICHT



Vor jeglichen Inspektions- und Wartungsvorgängen stets alle Angaben hinsichtlich Warnhinweisen zur Sicherheit aufmerksam lesen und beachten.

- Nie andere Bauteile oder Ersatzteile verwenden, die nicht Originalteile von ANEST IWATA sind.
- Nie die Öffnungen der Luftdüse, der Farbdüse und des Farbnadelendes beschädigen.
- Die Pistole nie vollkommen in Flüssigkeiten wie Lösungsmitteln eintauchen.

**5.1 VORGANG DER MANUELLEN REINIGUNG**



**Unvollständige Reinigung kann zu einem fehlerhaften Spritzstrahl führen. Nach Anwendung von Zweikomponentenlack eine schnelle und vollständige Reinigung ist besonders wichtig**

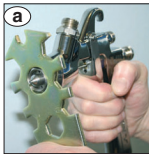
- Die **Luftdüse (1)** auch während des Reinigens nie lange Zeit in Lösungsmittel getaucht lassen.
- **Nie Metallgegenstände zum Reinigen der Pistole verwenden.**
- 1. Den Restlack aus dem Behälter und der Pistole ablassen, indem dieser in einem geeigneten Behälter untergebracht wird.
- 2. Die Reinigungsflüssigkeit in den Behälter gießen.
- 3. Die Luftdüse (1) um zwei Umdrehungen lösen, um der Zerstäubungsluft zu gestatten, den Backflush in den Farbdurchgängen der Pistole auszuführen.
- 4. Den Abzugsbügel (16) ziehen und sich dabei vergewissern, dass die Zerstäubungsluft in den Behälter gelangt.
- 5. Die Reinigungsflüssigkeit einige Sekunden einwirken lassen, dann zum Entsorgen der schädlichen Flüssigkeiten in einen geeigneten Behälter ablassen.
- 6. Den vorangehenden Vorgang wiederholen, bis die Pistole sauber ist.
- 7. Die Luftdüse (1) und den Behälter von der Pistole entfernen, dann alle Bereiche mit der im Lieferumfang enthaltenen, in Lösungsmittel getränkten Bürste und einem saugfähigen Lappen reinigen.
- 8. Alle Teile vollkommen trocken und ein spezifisches Schmiermittel auf alle Teile mit Gewinde auftragen.

**5.2 VORGANG DER AUTOMATISIERTEN REINIGUNG**

- Wird der **Pistolenwaschautomat** verwendet, halten Sie sich streng an die Angaben im mit dem Gerät gelieferten Handbuch. Vergewissern Sie sich vor den Reinigungsvorgängen, dass die Luft aus den **Luftdurchgängen** der Pistole abgelassen wird.
- Verwenden Sie ausschließlich ein für den Gebrauch mit dem **Pistolenwaschautomaten** geeignetes flüssiges Reinigungsmittel.
- Darauf achten, das Gerät **unmittelbar nach dem Gebrauch zu trocknen.**
- Die **Pistolen nach dem Waschvorgang nicht im Waschautomaten lassen.** Das Reinigungsmittel könnte die Dichtungen beschädigen und zu Korrosion im Inneren des Pistolenkörpers führen.
- Die **Pistole nicht in Lösungsmittel getaucht lassen.**
- Das **Gerät korrekt an die Erdung anschließen.** Die Verwendung von Reinigungsmitteln mit Lacken auf Wasserbasis kann den pH-Wert erhöhen, insbesondere nach einigen Waschvorgängen. Die Reinigungsflüssigkeit regelmäßig ersetzen, um die Leistungen und die Qualität des Produkts nicht zu beeinträchtigen.
- **Vergewissern Sie sich, nie den pH-Wert der Reinigungsflüssigkeit zu überschreiten.** pH-Wert: 6.0-8.0 (nur während des Waschvorgangs)

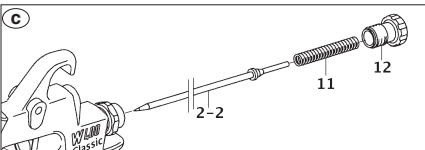
**5.3 ZERLEGUNGSVORGANG**

- Die **Lackdurchgänge** stets vor dem Zerlegen der Pistole reinigen.

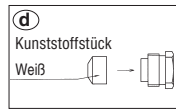


- a. Die Farbdüse (2-1) entfernen, während die Farbnadel (2-2) angezogen bleibt (indem der Abzugsbügel betätigt wird), um den Farbnadelsitz zu schützen.
- b. Das Farbnadelsatz entfernen (2-2). (nur wenn unbedingt erforderlich)

- c. Den Reglerknopf (12) und die Rückholfeder (11) der Farbnadel entfernen, indem die Feder und das Farbnadelsatz (2-2) aus der Rückseite der Farbnadelführung (10) herausgezogen werden, die noch auf dem Pistolenkörper (5) montiert ist.



- d. Die Einstellung des Farbnadeldichtungssets (21) muss stets bei montierter Farbnadel (2-2) und auf folgende Weise erfolgen: manuell durch eine Drehung von ca. 60 Grad schließen und anschließend mit dem dafür vorgesehenen Schlüssel anziehen.



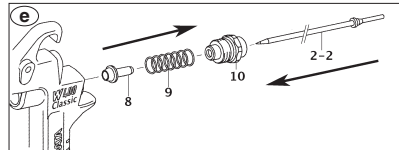
- Beim Entfernen des Farbnadeldichtungs-sets (21) sicherstellen, dass das Kunststoffstück des Farbnadeldichtungs-sets (3) nicht im Pistolenkörper verbleibt.

- Ein zu starkes Anziehen des Farbnadeldichtungssets (21) kann eine Behinderung der Bewegung des Farbnadelsatzes (2-2) mit daraus folgenden Verlusten von Lack aus der Spitze der Farbdüse (2-1) verursachen.

- Das Farbnadeldichtungsset (21) vorsichtig unter Betätigen des Abzugsbügel und Kontrolle der Bewegung des Farbnadelsatzes einstellen (2-2).
- Erweist sich die Verschraubung immer noch als zu stark, den Vorgang wiederholen.

- e. **Montage des Luftventils, das Luftventil (8),** die Rückholfeder für Luftventil (9) und die Farbnadelführung (10) zusammen montieren. Dann das Farbnadelsatzes (2-2) in die Farbnadelführung (10) einführen, die Gruppe in den Pistolenkörper (5) einsetzen und die Farbnadelführung (10) verschrauben.

- Wird versucht, die Rückholfeder für Luftventil (9) und das Luftventil (8) in den Pistolenkörper (5) ohne die Farbnadel (2-2) einzusetzen, kann das Luftventil (8) nicht korrekt befestigt werden und die Dichtung im Inneren der Farbnadelführung (10) wird beschädigt.



- f. Zerlegen des Spritzstrahlreglers (6) und/oder des Luftreglers (14).

Um den Spritzstrahlregler (6) und/oder den Luftregler (14) zu zerlegen, drehen manuell den sechskantigen Knopf des Reglers gegen den Uhrzeigersinn drehen, um ihn vollkommen zu öffnen und mit dem geeigneten Schlüssel die sechskantige Seite lösen, indem diese im Uhrzeigersinn gedreht wird.

- Zur Montage des Spritzstrahlreglers (6) und/oder des Luftreglers (14) in umgekehrter Reihenfolge vorgehen.

**WICHTIG: Um den Spritzstrahlregler und/oder Luftregler wieder zu montieren, sicherstellen, dass diese Vorgänge stets bei völlig geöffneter Einstellung erfolgen.**

**5.2 STANDARDINSPEKTIONEN UND -ERSATZUNGEN**

ZU KONTROLLIERENDE TEILE	ZU ERSETZENDE TEILE
a. Alle Durchgangsöffnungen der Luftdüse (1) und der Flüssigkeitsdüse (2-1).	Bei Quetschungen oder Verformungen ersetzen.
b. Dichtungen und O-Ring.	Bei Verformungen oder Verschleiß ersetzen.
c. Verluste aus der Bereiche der Sitze zwischen der Flüssigkeitsdüse (2-1) und der Flüssigkeitsnadel (2-2).	Ersetzen, wenn die Verluste auch nachdem das Farbdüsenset (2-1) und das Farbnadelsatz (2-2) vollkommen gereinigt wurden, weiter anhalten.  Werden nur die Düse (2-1) und die Farbnadel (2-2) ersetzt, die korrekte Paarung beider überprüfen und sich vergewissern, dass keine eventuellen Verluste vorliegen.

## 6. FEHLERBEHEBUNG

### SPRITZPISTOLE SPRÜHT NICHT



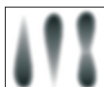
- Materialregler (12) nicht ausreichend geöffnet. Überprüfen und einstellen.
- Öffnung Farbdüse (2-1) verstopft. Überprüfen und reinigen.
- Lackfilter verstopft. Überprüfen und reinigen.
- Tropfschutz verstopft. Überprüfen und reinigen.

### STOSSWEISER SPRÜHSTRAHL



- Falschluff aus der Farbdüse (2-1). Überprüfen, reinigen und wenn erforderlich ersetzen.
- Falschluff aus der Farbnadeldichtung (21). Anziehen.
- Falschluff aus dem Anschluss des Behälters. Anziehen.
- Lackreste in der Luftdüse (1). Reinigen.

### FEHLERHAFTER SPRÜHSTRAHL



- Farbdüse (2-1) oder Luftdüse (1) lackverkrustet. Sorgfältig reinigen.
- Farbdüse (2-1) oder Luftdüse (1) beschädigt. Wenn erforderlich ersetzen.
- Farbdüse (2-1) gelöst. Anziehen.
- Viskosität des Lacks zu hoch oder zu niedrig. Den Lack verdünnen oder die Viskosität erhöhen.
- Der Lackdurchsatz ist zu hoch oder zu niedrig. Den Farbnadelregler (12) einstellen, um den Durchsatz zu verringern oder zu erhöhen.

### UNDICHT

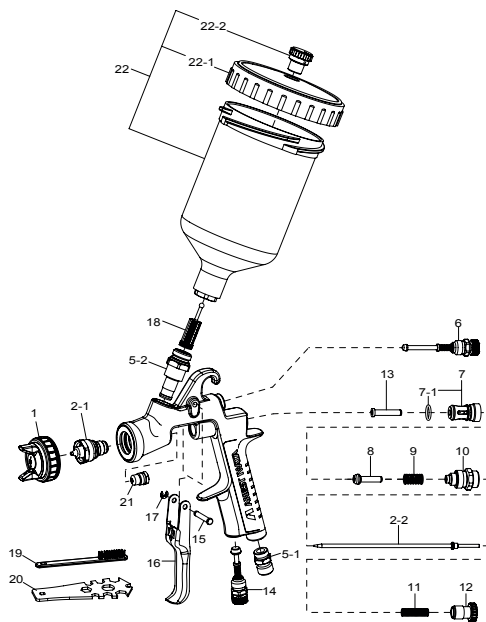


- Farbdüse (2-1), Farbnadelset (2-2) oder Pistolenkörper (5) im Sitz verkrustet, beschädigt oder abgenutzt. Reinigen oder wenn erforderlich ersetzen.
- Lackreste in der Luftdüse (1). Reinigen.
- Reglerknopf (12) der Farbnadel gelöst. Einstellen.
- Rückholfeder für Farbnadel (11) abgenutzt. Ersetzen.
- Farbdüse (2-1) gelöst. Anziehen.
- Farbnadeldichtungsset (21) gelöst, zu stark angezogen, verschmutzt oder abgenutzt. Einstellen reinigen oder wenn erforderlich ersetzen.

### LUFT ENTWEICHT AN SCHUTZKAPPE

- Luftventil (8), Luftventilsitz (7) Rückholfeder des Luftventils (9), verschmutzt oder beschädigt. Reinigen oder wenn erforderlich ersetzen.
- Der O-Ring des Luftventilsitzes (7-1) ist beschädigt oder abgenutzt. Ersetzen.

## 7. ERSATZTEILLISTE



Bez.	BESCHREIBUNG	
1	Luftdüse	
2	Farbdüse + Farbnadel	●
2-1	Farbdüse	●
2-2	Farbnadel	●
5	Pistolenkörper	
5-1	Druckluftanschluss	
5-2	Materialanschluss*	
6	Spritzstrahlregler	
7	Luftventilsitz *	
7-1	O'ring	●
8	Luftventil	●
9	Rückholfeder für Luftventil	
10	Farbnadelführung	
11	Rückholfeder für Farbnadel	
12	Materialregler-set	
13	Schaft für Luftventil	●
14	Luftregulierventil	
15	Verbindungsteil für Abzugsbügel	
16	Abzugsbügel	
17	Sprengring	
18	Filter 60 Mesh	
19	Bürste	
20	Schlüssel	
21	Farbnadeldichtung-set	●
22	Becher 600 cc	
22-1	Deckel	
22-2	Knopf	

● Die gekennzeichneten Teile sind Verschleiß unterworfen.

**HINWEIS:** Es wird gebeten, bei der Bestellung stets das Pistolenmodell, den Namen des Ersatzteils mit dem numerischen Bezug, das Kennzeichen der Luftdüse, der Farbdüse und der Farbnadel anzugeben.

\*VORSICHT: Zum Zerlegen des Luftventilsitzes \_ Pos. 7 einen 10 mm-Inbusschlüssel verwenden (nicht den Typ mit Rundkopf).

Zum Zerlegen des Materialanschlusses \_ Pos. 5-2 einen 8 mm-Inbusschlüssel verwenden.



Läs först dessa instruktioner innan du börjar med installation, igångsättning, justering eller utför underhåll på pistolen. Bevara sedan dessa instruktioner för framtida bruk.

Sprutpistolen för släppmedel ANEST IWATA uppfyller föreskrifterna i ATEX-direktivet 94/9/CE. Skyddsnivå: kategori II 2 G X. Lämpad för bruk i Zon 1 och i Zon 2. X-märkning: Eventuell statisk elektricitet hos pistolen ska urladdas via jordning genom den ledande luftslangen såsom föreskrivet.



Respektera ALLTID alla varningar vad gäller säkerhetsföreskrifterna i denna bruksanvisning.

Symbol	BETYDELSE	Risiknivå	Konsekvens
	<b>VARNING</b>	Potentiellt farlig situation	Allvarliga risker för operatörens hälsa och liv.
	<b>OBSERVERA</b>	Potentiellt farlig situation	Måttliga risker för produkten och operatören.
	<b>VIKTIGT</b>	Potentiellt farlig situation	Materialskador

## 1. TEKNISKA SPECIFIKATIONER

Max. arbetstryck:	7.0 bar (100 PSI)
Vikt gram (lbs): utan kopp	380 (0.84)
Ljudnivå (LAeqT)*:	79.7 dB(A)
Anslutning tryckluft:	G1/4" M
Anslutning färg:	M16 x 1.5 mm
Temperaturområde:	Miljö 5 ~ 40 °C - Luft/Färg 5 ~ 43 °C
*Mät punkt: 1 meter bakom sprutpistolen, vid 1,6 meters höjd.	

## 2. SÄKERHETSFÖRESKRIFTER

### BRAND OCH EXPLOSION



- Använd aldrig LÖSNINGSMEDEL MED HALOGENKOLVÄTEN, som kan orsaka skador och upplösning av delarna i aluminium hos själva pistolkoppen beroende på kemiska reaktioner. ICKE KOMPATIBLA LÖSNINGSMEDEL: metylenklorid, diklormetan, 1,2 diklormetan, koltetraklorid, trikloretylen, 1.1.1- trikloretan.
- Närvaron av öppna lågor och gnistframkallning är strängt förbjudna. De brukade produkterna kan vara mycket lättantändliga och kan medföra allvarliga brandrisker. Undvik alla aktiviteter som kan medföra risk för brand såsom rökning, gnistframkallning samt aktiviteter som kan leda till elektriska risker.
- Koppla sprutpistolen ordentligt till en jordad ledning via en ledad luftslang (< 1Mn).  
Kontrollera stabiliteten hos den jordade ledningen med jämna mellanrum.

### HÄLSORISKER



- Använd sprutpistolen i lokaler med god ventilation, t.ex i en sprutbox. En felaktigt eller otillräcklig ventilation kan orsaka förgiftning från organiska lösningsmedel och kan vara orsak till brand.
- Bär alltid skyddskläder (skyddsglasögon, ansiktsmask, skyddshandskar). Undvik kontakt med frätande medel som kan orsaka inflammation hos ögon och hud. Om det skulle inträffa en olyckshändelse, även av liten entitet, bör man omgående kontakta en läkare.
- Vid behov, utnyttja hörselskydd för akustisk isolering. Beroende på bruksvillkor samt själva arbetslokalen utformning kan bullernivån överstiga 80 dB(A).
- Det konstanta brukandet av sprutpistolen med en upprepad intryckning av pistolens avtryckare kan leda till karpatunnelsyndrom. I händelse av trötthet, gör ett kortare uppehåll.

## RISKER VID FELAKTIGT BRUKANDE



- Rikta ALDRIG pistolen mot en person eller ett djur.
- Överskrid ALDRIG det maximala körtrycket eller lokalens maxtemperatur.
- Stäng av och töm ledningarna på kvarliggande lufttryck samt material innan man påbörjar rengöringsingrepp, nedmontering eller underhåll. Det kan hända att kvarliggande tryck kan leda till kroppsskador som orsakats av felaktiga ingrepp eller utsläpp av de vätskor som brukats för rengöringen.
- Spetsen på sprutnålen är mycket vass. För att undvika skador, rör inte vid spetsen vid underhållsningreppet.
- Spruta aldrig födoämnen eller kemikalier med sprutpistolen. Blandningen med främmande substanser kan medföra frätningsskador i ledningarna, med följande skador på själva pistolen samt hälsorisker.
- Modifera aldrig sprutpistolen, för att undvika skador hos denna som kan ifrågasätta kvaliteten hos resultatet.
- I händelse av felfunktion ska sprutarbetet omedelbart avbrytas och felsökning skall utföras. Använd inte produkten tills dess felet har åtgärdats.
- Gå aldrig in i utrustningens arbetsområde (såsom robotar, reciprokerator osv.), förrän dessa har avaktiverats. I annat fall kan kontakten med maskiner i rörelse leda till olycksfall och skador

## 3. ANVÄNDNING

### OBSERVERA!



- Filterrad och torr luft ska användas för att mata pistolen. Det rekommenderas att du använder ett filter med automatiskt kondensstömning och tork.
- När pistolen används för första gången efter att den har inhandlats, reglerar färgnålspackningen, rengör gångarna där färgen passerar genom att spruta lämpligt lösningsmedel för att ta bort den rostskyddande oljan.
- Fäst slangen och koppen ordentligt på pistolen för att undvika att de lossnar under lackeringsarbetet. Det finns risk för att allvarliga kroppsskador förorsakas.
- Fäst ordentligt luftmatningsslangen till luftnippeln 1/4" M (5-1).
- Fäst ordentligt en lämplig kopp på färgnippeln (5-2).
- Rengör gångarna där färgen passerar genom pistolen med lämpligt lösningsmedel.
- Håll färgen i koppen, kontrollera sprutstrålen, reglera utflödet av färg och sprutbredden.

## 4. HUR GÖR MAN

- Rekommenderat tryck för den finfördelade luften är mellan 2.0 och 3.0 bar (29 och 43 PSI).
- Rekommenderad viskositet för färgerna varierar beroende på färgens egenskaper och gällande lackeringsförhållanden. En viskositet mellan 15 och 23 sek/Fordkopp nr. 4 rekommenderas.
- Kalibrera lackeringsavståndet, om möjligt i ett begränsat utrymme och mellan 150-250 mm.
- Pistolen ska alltid hållas vinkelrät mot ytan på arbetsstycket som ska bearbetas. Pistolen ska dessutom alltid föras i horisontella linjer. Eventuella förflyttningar av pistolen kan ge ett ojämnt lackeringsresultat.

## 5. UNDERHÅLL OCH KONTROLL

### OBSERVERA!



Innan något ingrepp för inspektion och underhåll utförs ska du alltid läsa och följa alla anvisningar och SÄKERHETSFÖRESKRIFTER NOGGGRANT.

- Använd aldrig andra komponenter eller reservdelar som inte är original från ANEST IWATA.
- Skada aldrig hålen på luftmunstycket, färgmunstycket och färgnålsens ände.
- Doppa aldrig ned pistolen fullständigt i vätskor som lösningsmedel.



## 5.1 PROCEDUR FÖR MANUELL RENGÖRING



**Bristfälligt rengöring kan leda till en felaktig sprutbild. Rengör extra noga och så fort som möjligt efter användning av tvåkomponentsfärg.**

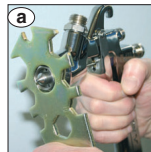
- **Lämna aldrig luftmunstycket (1) i lösningsmedel under en längre tid eller vid rengöring.**
  - **Använd aldrig metallföremål för att rengöra pistolen.**
1. Töm ut överbliven färg från koppen och pistolen i en lämplig behållare.
  2. Håll rengöringsvätska i koppen.
  3. Skruva ur luftmunstycket (1) två varv så att den finfördelade luften kan flöda tillbaka i pistolens färggångar.
  4. Dra i avtryckaren (16) och försäkra dig om att den finfördelade luften går in i koppen.
  5. Låt det flytande rengöringsmedlet verka i några sekunder. Töm sedan ut det i en behållare som är lämplig för kassering av giftiga vätskor.
  6. Upprepa proceduren ovan tills pistolen är ren.
  7. Ta bort luftmunstycket (1) och koppen från pistolen. Rengör sedan varje del med den medlevererade borsten indränkt med lösningsmedel och en absorberande trasa.
  8. Torka varje del noggrant och applicera ett speciellt smörjmedel på varje del med gängor.

## 5.2 PROCEDUR FÖR AUTOMATISERAD RENGÖRING

- När du använder den automatiska pistolvätten, följ noga bruksanvisningen som följer med utrustningen. Innan rengöringen påbörjas ska du försäkra dig om att luften har tömts ut ur pistolens gångar.
  - Använd ett flytande rengöringsmedel som är lämpligt att använda med pistolvätten.
  - Var noga med att torka utrustningen direkt efter användning.
  - Lämna aldrig kvar pistolerna i pistolvätten efter rengöringen.
- Rengöringsmedlet kan skada packningarna och förorsaka korrosion inuti kroppen.
- Lämna aldrig pistolen nedsänkt i lösningsmedel.
  - Anslut utrustningen korrekt till jord. Användning av rengöringsvätskor med vattenbaserade färger kan öka PH-nivån, i synnerhet efter många rengöringar. Byt regelbundet ut rengöringsvätskan för att inte försämra utrustningens prestanda och kvalitet.
  - Försäkra dig om att PH-nivån för rengöringsvätskan aldrig överskrider. PH-nivå: 6,0-8,0 (endast under rengöring)

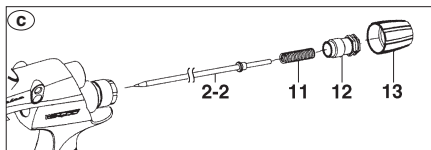
## 5.3 NEDMONTERINGSPROCEDUR

- Rengör alltid färggångarna innan pistolen nedmonteras

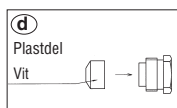


- a. Ta bort färgmunstycket (2-1) medan färgnålen (2-2) hålls utdragen (genom att trycka på avtryckaren), för att skydd da färgnålens säte.
- b. Ta bort färgnålen (2-2). (endast om det är absolut nödvändigt)

- c. Ta bort färgnålens ställskruv (12) och färgnålsljädern (11) genom att dra ut fjädern och färgnålen (2-2) bakom färgnålsstyrningen (10) som sitter kvar på kroppen (5).



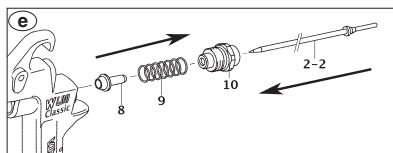
- d. Regleringen av färgnålspackningen (21) ska alltid göras med färgnålen (2-2) monterad och på följande sätt: Dra åt för hand genom att vrida cirka 60 grader och dra sedan åt med därtill avsedd nyckel.



- d. När färgnålspackningen (21) tas bort ska du vara uppmärksam på att inte lämna kvar färgnålspackningens (21) plastdel inuti kroppen.
- Om färgnålspackningen (21) dras åt för hårt kan färgnålens (2-2) rörelse förhindras, vilket leder till att färg läcker ur från färgmunstyckets (2-1) ände.
- Justera försiktigt färgnålspackningen (21) genom att trycka på avtryckaren och kontrollera rörelsen med färgnålen (2-2).
- Upprepa momentet igen om färgnålspackningen är för hårt åtdragen.

- e. **Montering av luftventilen.** Montera luftventilen (8), luftventilfjädern (9) och färgnålsstyrningen (10) tillsammans. Stick sedan in färgnålen (2-2) i färgnålsstyrningen (10). För sedan in alltsammans i kroppen (5) och skruva fast färgnålsstyrningen (10).

- Om du försöker att föra in luftventilfjädern (9) och luftventilen (8) i kroppen (5) utan färgnålen (2-2), kan inte luftventilen (8) fästas på ett korrekt sätt och packningen inuti färgnålsstyrningen (10) skadas.



- f. **Nedmontering av sprutbreddsventilen (6) och/eller strypventilen (14).**

För att nedmontera sprutbreddsventilen (6) och/eller strypventilen (14) sväng manuellt sexhörningen muttern av justeringen moturs för att öppna den helt och skruva av hexagon ansiktet med en skiftnyckel att vrida den moturs.

- Montera tillbaka sprutbreddsventilen (6) och/eller strypventilen (14) genom att utföra momenten i omvänd ordning.

**VIKTIGT!** Innan sprutbreddsventilen och/eller luftventilen monteras tillbaka ska dessa moment alltid utföras med ställmuttern fullständigt öppen.

## 5.4 STANDARDINSPEKTIONER OCH -BYTEN

DELAR SOM SKA KONTROLLERAS	DELAR SOM SKA BYTAS UT
a. Alla passager till luftmunestycke (1) och materialmunestycke (2-1).	Byt ut om klämda eller deformerade.
b. Packning och O-ringar	Byt ut om de är deformerade eller utslitna.
c. Läckage från sätena mellan materialmunestycke (2-1) och sprutnålen (2-2)	Byt ut delarna om läckaget inte ens upphör efter att färgmunstycket (2-1) och färgnålen (2-2) har rengjorts fullständigt.  Om du endast byter ut färgmunstycket (2-1) och färgnålen (2-2), kontrollera sammankopplingen av båda och försäkra dig om att inga eventuella läckage förekommer.



## 6. PROBLEM, ORSAKER OCH ÅTGÄRDER 7. RESERVDLSLISTA

### FÄRGEN SPRUTAR INTE UT



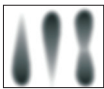
- Ställskruven (12) är inte tillräckligt öppen. Kontrollera och reglera.
- Färgmunstyckets (2-1) öppning är igensatt. Kontrollera och rengör.
- Färgfiltret är igensatt. Kontrollera och rengör.
- Droppskyddet är igensatt. Kontrollera och rengör.

### OJÄMN FINFÖRDELNING



- Luft läcker ut från färgmunstycket (2-1). Kontrollera, rengör och byt ut om det är nödvändigt.
- Luft läcker ut från färgnålspackningen (21). Dra åt.
- Luft läcker ut från koppens. Dra åt.
- Färgrester i luftmunstycket (1). Rengör.

### SPRUTBILDSDEFEKTER



- Färg- (2-1) eller luftmunstycket (1) igensatt med färg. Rengör noggrant.
- Skadat färg- (2-1) eller luftmunstycke (1). Byt ut om det är nödvändigt.
- Färgmunstycket (2-1) sitter löst. Dra åt.
- Färgens viskositet är för hög eller för låg. Späd färgen eller öka viskositeten.
- Färgen flödar för snabbt eller för långsamt. Justera ställskruven (12) för att minska eller öka hastigheten.

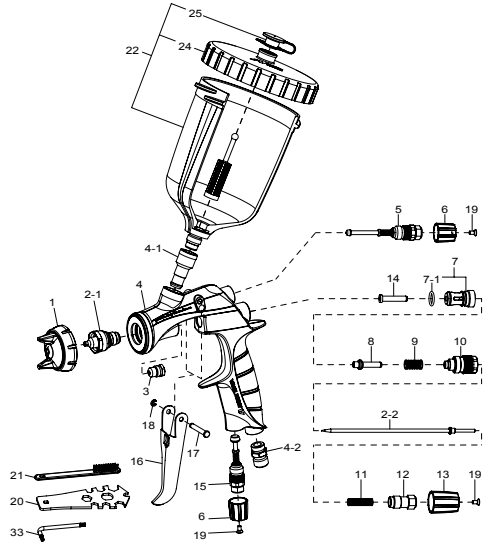
### FÄRG LÄCKER UT



- Färgmunstycket (2-1), färgnålen (2-2) eller kroppen (5), är igsatta, skadade eller utslitna i respektive säte. Rengör eller byt ut om det är nödvändigt.
- Färgrester i luftmunstycket (1). Rengör.
- Ställskruv (12) sitter löst. Justera.
- Färgnålsfjäder (11) sitter löst. Byt ut.
- Färgmunstycket (2-1) sitter löst. Dra åt.
- Färgnålspackningen (21) sitter löst, sitter för hårt, är smutsig eller utsliten. Justera, rengör eller byt ut om det är nödvändigt.

### LUFT LÄCKER UT FRÅN LUFTMUNSTYCKET

- Luftventilen (8), luftventilsätet (7) eller luftventilfjädern (9), är smutsiga eller skadade. Rengör eller byt ut om det är nödvändigt.
- O-ringen för luftventilsätet (7-1) är skadat eller utslitet. Byt ut.



Ref.	RESERVDLSFÖRTECKNING	
1	Luftmunstycke	
2	Färgmunstycke + Färgnål	●
2-1	Färgmunstycke	●
2-2	Färgnål	●
5	Kropp	
5-1	Luftnippel	
5-2	Färgnippel*	
6	Sprutbreddsventil	
7	Luftventilsäte*	
7-1	O'ring	●
8	Luftventil	●
9	Luftventilfjäder	
10	Färgnålsstyrning	
11	Färgnålsfjäder	
12	Färgnålsjustering	
13	Skافت	●
14	Strypventil	
15	Avtryckarstift	
16	Avtryckare	
17	Stoppning	
18	Filter	
19	Borste	
20	Skiftnyckel	
21	Färgnålspackning	●
22	Kopp 600 cc	
22-1	Lock	
22-2	Knopp	

● De markerade delarna utsätts för slitage.

**NOTERING:** När beställningar gör ska du komma ihåg att ange pistolens modell, reservdelens benämning tillsammans med referensnummer, initialerna för luftmunstycket, färgmunstycket och färgnålen.

\*OBSERVERA! Vid nedmonteringen av luftventilsätet\_7 ska insexnyckel nr. 10 användas (ej med sfäriskt huvud).

Vid nedmonteringen av färgnippeln\_ 5-2, använd en insexnyckel nr. 8.



**ANEST IWATA Europe S.r.l.**  
Corso Vigevano, 46 - 10155, Torino (IT)  
Direct Tel. +39 011 - 22 74 402  
Fax +39 011 - 22 74 000  
[info@anest-iwataeu.com](mailto:info@anest-iwataeu.com)  
[www.anest-iwataeu.com](http://www.anest-iwataeu.com)

### **EUROPEAN SALES BRANCHES:**

#### **ANEST IWATA Italia S.r.l.**

Tel. diretto +39 011 - 24 80 868 - Fax: +39 011 - 85 19 44  
[info@anest-iwata.it](mailto:info@anest-iwata.it) [www.anest-iwata.it](http://www.anest-iwata.it)

#### **ANEST IWATA Iberica**

Tel.:+34 93 32 05 993 - Fax.:+34 93 32 05 965  
[info@anest-iwata.es](mailto:info@anest-iwata.es) [www.anest-iwata.es](http://www.anest-iwata.es)

#### **ANEST IWATA Deutschland**

Telefon: +49 (0)341 241 44 30 - Fax: +49 (0)341 252 55 95  
[info@anest-iwata.de](mailto:info@anest-iwata.de) [www.anest-iwata.de](http://www.anest-iwata.de)

#### **ANEST IWATA France**

Tél. +33 (0)4 - 74 94 59 69 - Fax +33 (0)4 - 74 94 34 39  
[info@anest-iwata.fr](mailto:info@anest-iwata.fr) [www.anest-iwata.fr](http://www.anest-iwata.fr)

#### **ANEST IWATA U.K.**

Tel.: +44 (0) 1480 40 54 19 - Fax: +44 (0) 1480 21 76 10  
[enquiries@anest-iwata.co.uk](mailto:enquiries@anest-iwata.co.uk) [www.anest-iwata.co.uk](http://www.anest-iwata.co.uk)

#### **ANEST IWATA Scandinavia**

Tel. +46 (0)31 - 340 28 60 - Fax +46 (0)31 - 340 28 69  
[info@anest-iwata.se](mailto:info@anest-iwata.se) [www.anest-iwata.se](http://www.anest-iwata.se)

#### **ANEST IWATA Polska**

Tel: +48 61 657 88 50 - Mobile: +48 883 395 007  
[info@anestiwata.com.pl](mailto:info@anestiwata.com.pl) [www.anest-iwata.pl](http://www.anest-iwata.pl)



#### **ANEST IWATA Corporation**

3176, Shinyoshida-cho, Kohoku-ku  
Yokohama, 223-8501 JAPAN - MJ351-02\_HDM